



US00D750571S

(12) **United States Design Patent**
Auguste et al.

(10) **Patent No.:** **US D750,571 S**
(45) **Date of Patent:** **** Mar. 1, 2016**

(54) **GASKET FOR AN ELECTRIC PLUG**

(71) Applicants: **Donna M. Auguste**, Denver, CO (US);
David E. Hayes, Denver, CO (US)

(72) Inventors: **Donna M. Auguste**, Denver, CO (US);
David E. Hayes, Denver, CO (US)

(**) Term: **14 Years**

(21) Appl. No.: **29/453,439**

(22) Filed: **Apr. 29, 2013**

(51) **LOC (10) Cl.** **13-03**

(52) **U.S. Cl.**
USPC **D13/156**

(58) **Field of Classification Search**
USPC D13/156, 133, 137.1, 137.2, 138.1,
D13/138.2, 154, 177, 184, 199; D8/352,
D8/353, 354; D9/439; 174/1, 66, 67;
439/89, 105, 109, 149, 152, 445, 625,
439/651, 721, 934, 956
CPC H01R 27/00; H01R 31/06
See application file for complete search history.

6,261,109 B1 * 7/2001 Liu H01R 31/06
439/131

6,320,353 B1 * 11/2001 Chiu et al. 320/111

6,544,051 B1 * 4/2003 Su H01R 35/04
363/146

D573,532 S * 7/2008 Yang D13/110

D627,730 S * 11/2010 Huang et al. D13/146

8,226,424 B1 * 7/2012 Wang H01R 13/2421
439/172

D666,156 S * 8/2012 Auguste et al. D13/156

D669,434 S * 10/2012 Kim et al. D13/110

D675,159 S * 1/2013 Smith et al. D13/110

D676,810 S * 2/2013 Smith et al. D13/110

D687,778 S * 8/2013 Utz D13/133

D708,586 S * 7/2014 Auguste et al. D13/156

2007/0091545 A1 * 4/2007 Wong H01R 35/04
361/600

* cited by examiner

Primary Examiner — Derrick Holland
Assistant Examiner — Jennifer O King
(74) *Attorney, Agent, or Firm* — TIPS Group

(57) **CLAIM**
The ornamental design for a gasket for an electric plug, as shown and described.

DESCRIPTION

FIG. 1 is a perspective view of a gasket for an electric plug; FIG. 2 is a front elevational view thereof, the rear elevational view being a mirror image; FIG. 3 is a left side elevational view thereof, the right side elevational view being a mirror image; and, FIG. 4 is a top plan view thereof, a bottom plan view being a mirror image.
The broken lines shown represent unclaimed subject matter and form no part of the claimed design.

1 Claim, 1 Drawing Sheet

(56) **References Cited**
U.S. PATENT DOCUMENTS

D287,123 S * 12/1986 Ross D13/138.2

D299,126 S * 12/1988 Johnson D13/133

D362,228 S * 9/1995 Hedrick D13/138.1

D370,203 S * 5/1996 Hedrick D13/138.1

D372,458 S * 8/1996 Hedrick D13/138.1

D374,657 S * 10/1996 Beranek D13/138.1

D376,348 S * 12/1996 Hedrick D13/138.1

D378,586 S * 3/1997 Hedrick D13/138.1

D383,117 S * 9/1997 Phillips D13/138.1

6,247,941 B1 * 6/2001 Lee et al. 439/105

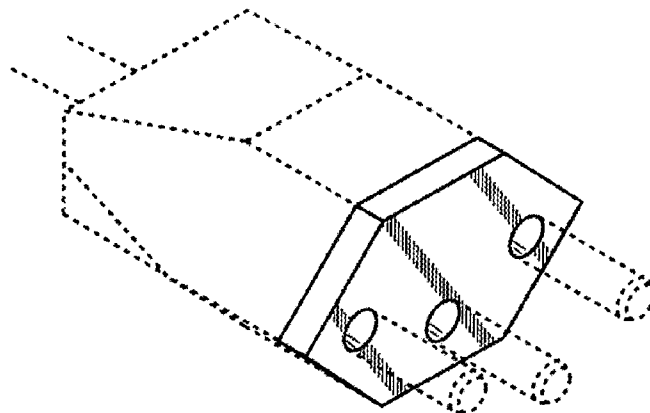


Fig. 1

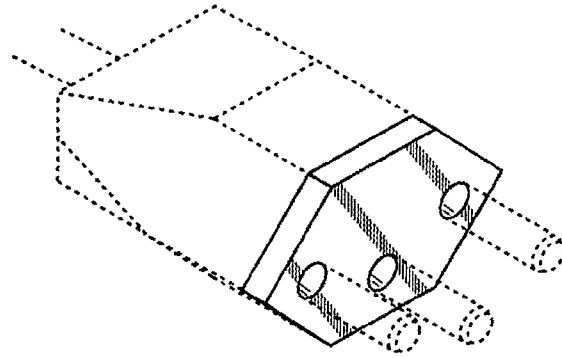


Fig. 2

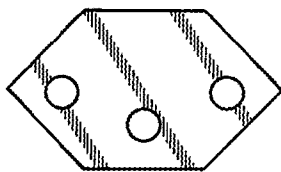


Fig. 3

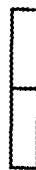


Fig. 4

