



(12) **United States Design Patent**
Keach

(10) **Patent No.:** **US D1,010,118 S**
(45) **Date of Patent:** **** Jan. 2, 2024**

- (54) **CONNECTOR HUB FOR A SURGICAL INSTRUMENT**
- (71) Applicant: **Shukla Medical**, St. Petersburg, FL (US)
- (72) Inventor: **Nicholas Christopher Keach**, Lutz, FL (US)
- (73) Assignee: **Shukla Medical**, St. Petersburg, FL (US)

3,115,354 A * 12/1963 Bowan F16L 25/023
D23/262
3,162,470 A * 12/1964 Owens F16L 37/113
285/376
D208,121 S * 7/1967 Keats D10/113.1
D223,187 S * 3/1972 Wing D23/262
D229,408 S * 11/1973 Luckenbill et al. D23/262
D229,411 S * 11/1973 Luckenbill et al. D23/262
D229,416 S * 11/1973 Luckenbill et al. D23/262
D262,969 S * 2/1982 Howes D23/262
D274,690 S * 7/1984 Cesaroni D8/310
D288,291 S * 2/1987 Angle D8/402
(Continued)

(**) Term: **15 Years**

(21) Appl. No.: **29/708,206**

(22) Filed: **Oct. 4, 2019**

(51) **LOC (14) Cl.** **24-01**

(52) **U.S. Cl.**
USPC **D24/133**

(58) **Field of Classification Search**
USPC D24/112–114, 118, 127–131, 133, 146,
D24/147; D15/138, 139; D8/321, 349,
D8/382, 397, 399
CPC A61B 17/144; A61B 17/14; B23D 51/10;
B23D 51/00; Y01T 279/17504
See application file for complete search history.

(56) **References Cited**

U.S. PATENT DOCUMENTS

D20,236	S	*	10/1890	Kelly	D23/262
D33,463	S	*	10/1900	Glauber	D23/262
1,457,749	A	*	6/1923	Rast	F16B 39/286 411/10
1,824,642	A	*	9/1931	Harold	F16L 19/075 D23/262
D117,444	S	*	11/1939	Busian	D23/262
D120,495	S	*	5/1940	Wilson	D23/262
D121,608	S	*	7/1940	Bedur	D23/262
D135,262	S	*	3/1943	Corley	D23/262
D178,331	S	*	7/1956	Williams	D23/262

OTHER PUBLICATIONS

Octagonal Rubber Feet, [site visited Apr. 28, 2021]. Available from Internet. URL: <https://www.vital-parts.co.uk/octagonal-rubber-feet---adj248-7261-p.asp> (Year: 2021).*
(Continued)

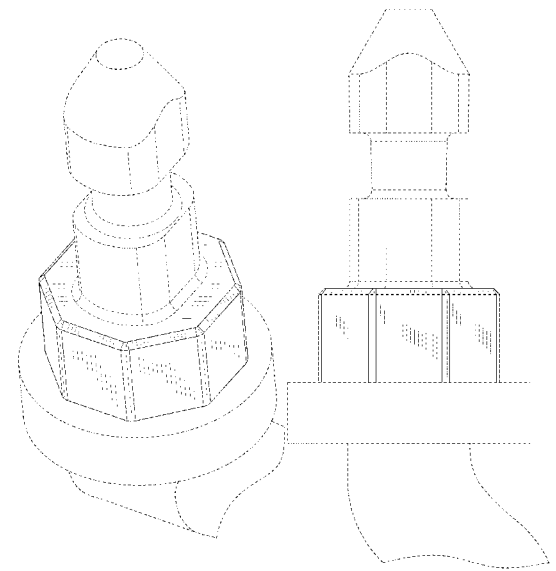
Primary Examiner — T Chase Nelson
Assistant Examiner — Kelly L Gross
(74) *Attorney, Agent, or Firm* — Kim IP Law Group LLC

(57) **CLAIM**
The ornamental design for a connector hub for a surgical instrument, as shown and described.

DESCRIPTION

FIG. 1 is a perspective view of a connector hub for a surgical instrument in accordance with the new design;
FIG. 2 is a left side view thereof;
FIG. 3 is a right side view thereof;
FIG. 4 is a front view thereof;
FIG. 5 is a rear view thereof; and,
FIG. 6 is a top plan view thereof.
The broken lines in the figures are directed to portions of the connector hub for a surgical instrument that form no part of the claim.

1 Claim, 6 Drawing Sheets



(56)

References Cited

U.S. PATENT DOCUMENTS

4,715,756	A *	12/1987	Danico	F16B 43/00	D771,205	S *	11/2016	Davies, III	D21/680
				411/908	D771,469	S *	11/2016	Zimmer	D8/307
4,922,059	A *	5/1990	Walker	H05K 3/0014	D777,266	S *	1/2017	Davies, III	D21/680
				D13/184	D790,044	S *	6/2017	Li	D23/262
D311,131	S *	10/1990	Saito	D8/397	D800,233	S *	10/2017	Januszek	D21/803
D314,233	S *	1/1991	Medvick	D23/262	D802,063	S *	11/2017	Nelson	D21/680
D315,400	S *	3/1991	Medvick	D23/262	D808,389	S *	1/2018	Judge	D10/104.1
D333,179	S *	2/1993	Mikiya	D23/262	D808,449	S *	1/2018	Buhr	D15/139
D333,511	S *	2/1993	Mikiya	D23/262	D815,164	S *	4/2018	Schleicher	D15/139
5,216,203	A *	6/1993	Gower	H02G 3/088	D815,511	S *	4/2018	Groleski	D8/350
				174/152 G	D831,134	S *	10/2018	Hillson	D21/686
D340,316	S *	10/1993	Zdrok	D24/129	D832,319	S *	10/2018	Muthuswamy	D15/139
5,458,433	A *	10/1995	Stastny	F16B 12/04	D835,744	S *	12/2018	Lazar	D22/108
				144/353	D838,581	S *	1/2019	Huang	D8/382
D367,485	S *	2/1996	Szabo	D15/138	D839,400	S *	1/2019	Wolff	D23/262
D387,147	S *	12/1997	Vandermast	D23/262	D844,034	S *	3/2019	Yano	D15/139
D387,657	S *	12/1997	Holmes	D8/397	D844,683	S *	4/2019	Yano	D15/139
D395,502	S *	6/1998	Deily	D24/129	D845,448	S *	4/2019	Tanghetti	D23/262
D404,830	S *	1/1999	Childs	D24/224	D847,884	S *	5/2019	Hayakawa	D15/139
D407,303	S *	3/1999	Engberg	D8/402	D854,063	S *	7/2019	Abe	D15/139
D416,267	S *	11/1999	Reilly	D15/139	D854,636	S *	7/2019	Nelson	D21/680
D417,253	S *	11/1999	Addonizio	D22/120	D857,067	S *	8/2019	Hayakawa	D15/139
5,987,845	A *	11/1999	Laronde	E04C 3/127	D857,068	S *	8/2019	Hayakawa	D15/139
				52/592.2	D858,596	S *	9/2019	Major	D15/139
D419,224	S *	1/2000	Zito	D23/262	D865,823	S *	11/2019	Abe	D15/139
D435,652	S *	12/2000	Nazarifar	D23/262	D868,948	S *	12/2019	Clifford	D8/382
D453,193	S *	1/2002	Isaacs	D20/22	D872,843	S *	1/2020	Stoffa, Sr.	D23/262
6,511,472	B1 *	1/2003	Hayman	A61M 25/0097	D880,545	S *	4/2020	Ali	D15/126
				604/533	D882,044	S *	4/2020	Uccellani	D23/262
D473,305	S *	4/2003	Halseth	D24/129	D884,888	S *	5/2020	Doubet	A61M 5/34
D510,131	S *	9/2005	Karasawa	D23/262	D890,925	S *	7/2020	Doubet	D24/129
D526,883	S *	8/2006	Gilbert	D8/312	D896,930	S *	9/2020	Vranish	D23/262
D533,259	S *	12/2006	Lewis	D23/262	D898,167	S *	10/2020	Kury	D23/262
D549,804	S *	8/2007	Lewis	D23/262	D900,893	S *	11/2020	English	D15/139
D568,469	S *	5/2008	Sudo	D24/130	D904,152	S *	12/2020	Kukucka	D3/312
D568,712	S *	5/2008	Ricereto	D8/305	D906,781	S *	1/2021	Kukucka	D3/312
D570,457	S *	6/2008	Brown	D23/262	D906,956	S *	1/2021	Yamamoto	D13/103
D576,477	S *	9/2008	Levy	D23/262	D910,096	S *	2/2021	Park	D15/139
D590,500	S *	4/2009	Sudo	D24/130	D910,097	S *	2/2021	Park	D15/139
D600,541	S *	9/2009	Steppat	D8/380	D923,788	S *	6/2021	Sweitzer	D24/146
D602,056	S *	10/2009	Lin	D15/139	D924,377	S *	7/2021	Kwak	D23/262
D602,510	S *	10/2009	Harpaz	D15/139	D925,034	S *	7/2021	Doubet	A61M 5/34
D607,546	S *	1/2010	Forsythe	D23/262	D925,733	S *	7/2021	Doubet	A61M 5/3134
D608,422	S *	1/2010	Forsythe	D23/262					D24/129
D620,084	S *	7/2010	Talamantez	D23/262	D926,296	S *	7/2021	Kury	D23/262
D632,763	S *	2/2011	McCarthy	D23/262	D930,122	S *	9/2021	Caldwell	D23/262
D640,716	S *	6/2011	Takahashi	D15/139	D932,020	S *	9/2021	Sweitzer	D24/171
D648,008	S *	11/2011	Percoco	D23/262	D940,309	S *	1/2022	Doubet	D24/129
D649,987	S *	12/2011	Dunnahoe	D15/139	D945,573	S *	3/2022	Vaz	D23/262
D651,224	S *	12/2011	Takahashi	D15/139	D963,812	S *	9/2022	Cherry	D23/262
D653,654	S *	2/2012	Thomson	D14/230	11,458,360	B2 *	10/2022	Manson	A63B 23/0464
D654,910	S *	2/2012	Thomson	D14/230	D976,982	S *	1/2023	Meyer	D24/129
D655,278	S *	3/2012	Thomson	D14/230	D977,634	S *	2/2023	Powell	D24/129
D668,775	S *	10/2012	Shanler	D24/224	D979,052	S *	2/2023	Heynes	D24/129
D673,193	S *	12/2012	Dickrede	D15/139	D983,368	S *	4/2023	Leibowitz	D24/133
D681,739	S *	5/2013	Richmond	D20/42	D984,638	S *	4/2023	Doubet	D24/129
8,662,208	B2 *	3/2014	Stroud	E21B 10/46	D984,639	S *	4/2023	Fang	D24/129
				175/428	D987,818	S *	5/2023	Nourani	D24/130
D709,187	S *	7/2014	Li	A61M 39/00	D987,819	S *	5/2023	Nourani	D24/130
				D24/129	D987,822	S *	5/2023	Crowder	D24/127
D710,409	S *	8/2014	Morrison	D15/139	D988,500	S *	6/2023	Ishikawa	D24/129
D714,935	S *	10/2014	Nishioka	D24/130	2013/0026507	A1 *	1/2013	Chung	F21K 9/68
D716,916	S *	11/2014	Snow	D23/262					257/E33.068
D718,356	S *	11/2014	Dunnahoe	D15/139	2015/0005140	A1 *	1/2015	Adkins	A63B 22/18
D726,792	S *	4/2015	Velozny	D15/139					482/92
D732,613	S *	6/2015	Davies, III	D21/680	2017/0187100	A1 *	6/2017	Fotheringham	H01Q 1/3283
D732,614	S *	6/2015	Davies, III	D21/680					
D737,165	S *	8/2015	Bjorklund	D10/113.1					
D737,825	S *	9/2015	Kumar	D14/433					
D760,308	S *	6/2016	Krishnegowda	D15/139					
D767,104	S *	9/2016	Salser	D23/265					
D768,473	S *	10/2016	Manwaring	D23/262					
RE46,197	E *	11/2016	Takahashi	D15/139					

OTHER PUBLICATIONS

Hose Fittings Barb Connector, [site visited Jan. 11, 2023]. Available from Internet. URL: <https://www.aliexpress.us/item/3256804496346220.html?> (Year: 2023).*

* cited by examiner

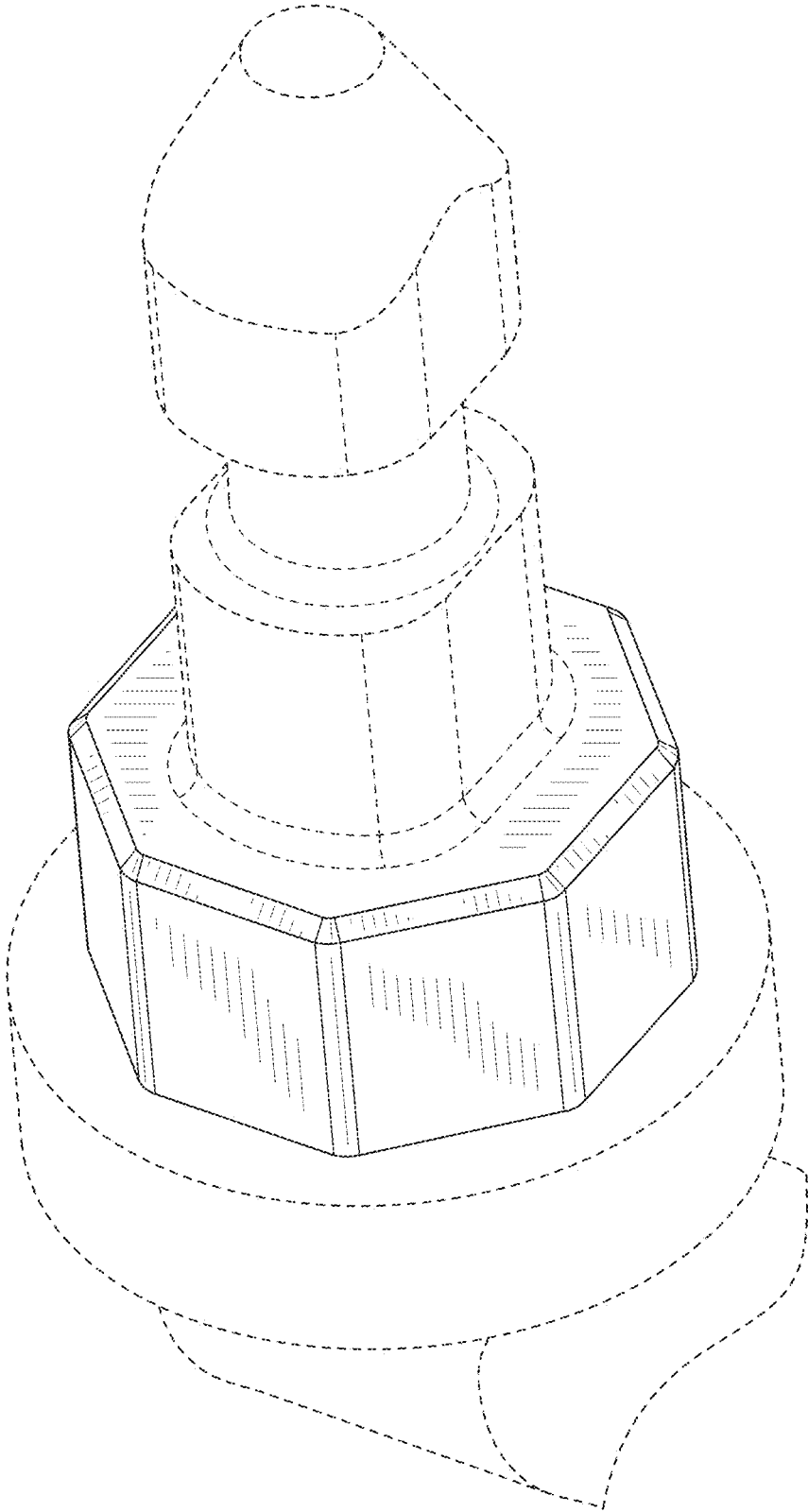


FIG. 1

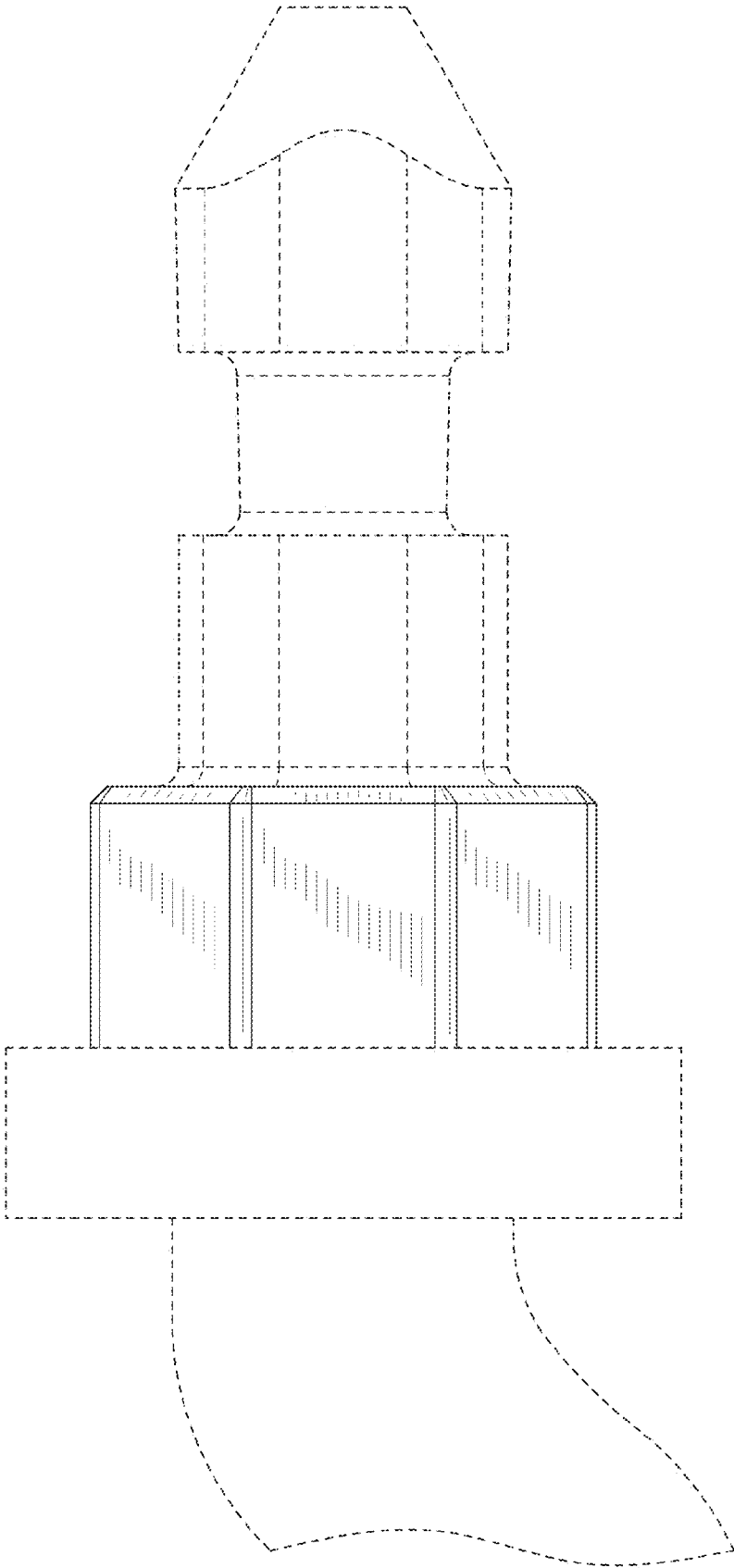


FIG. 2

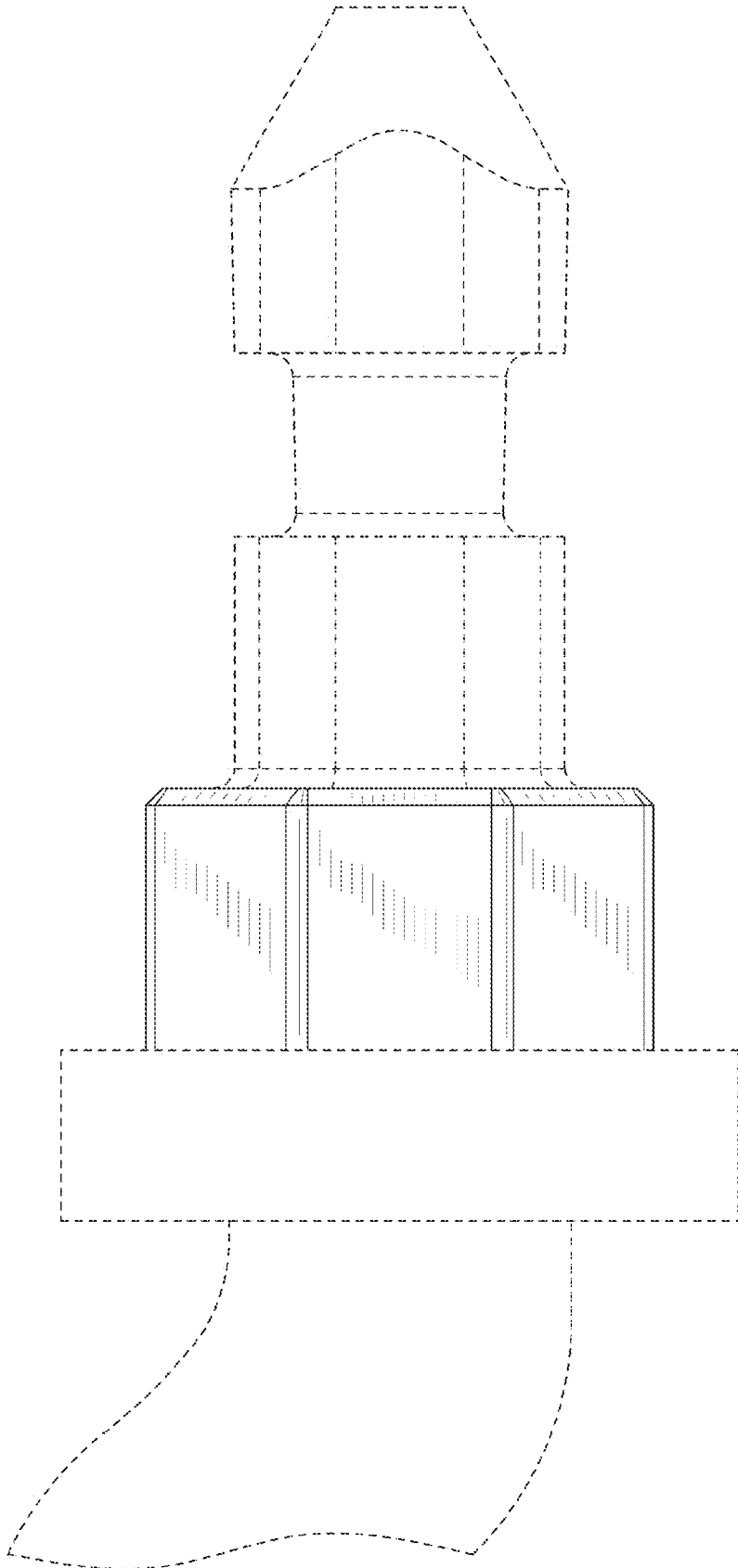


FIG. 3

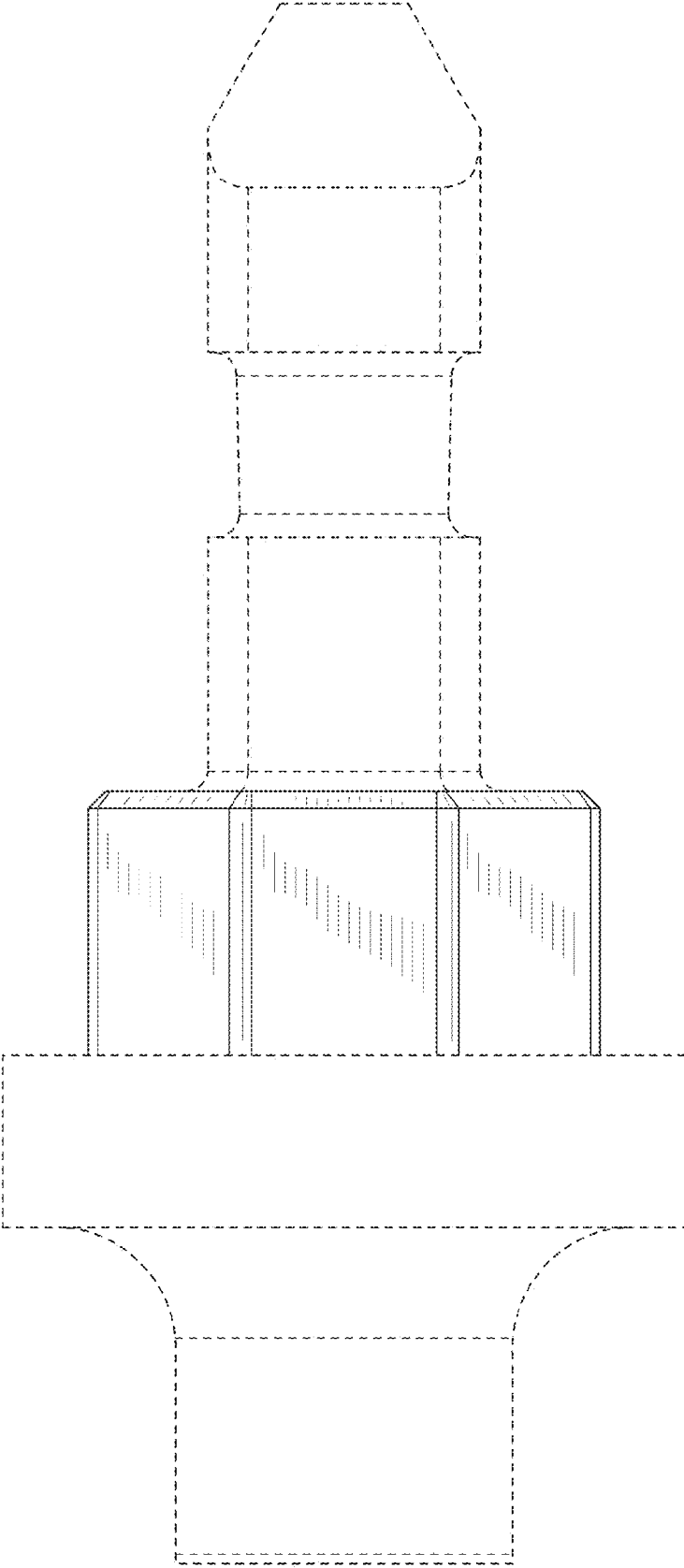


FIG. 4

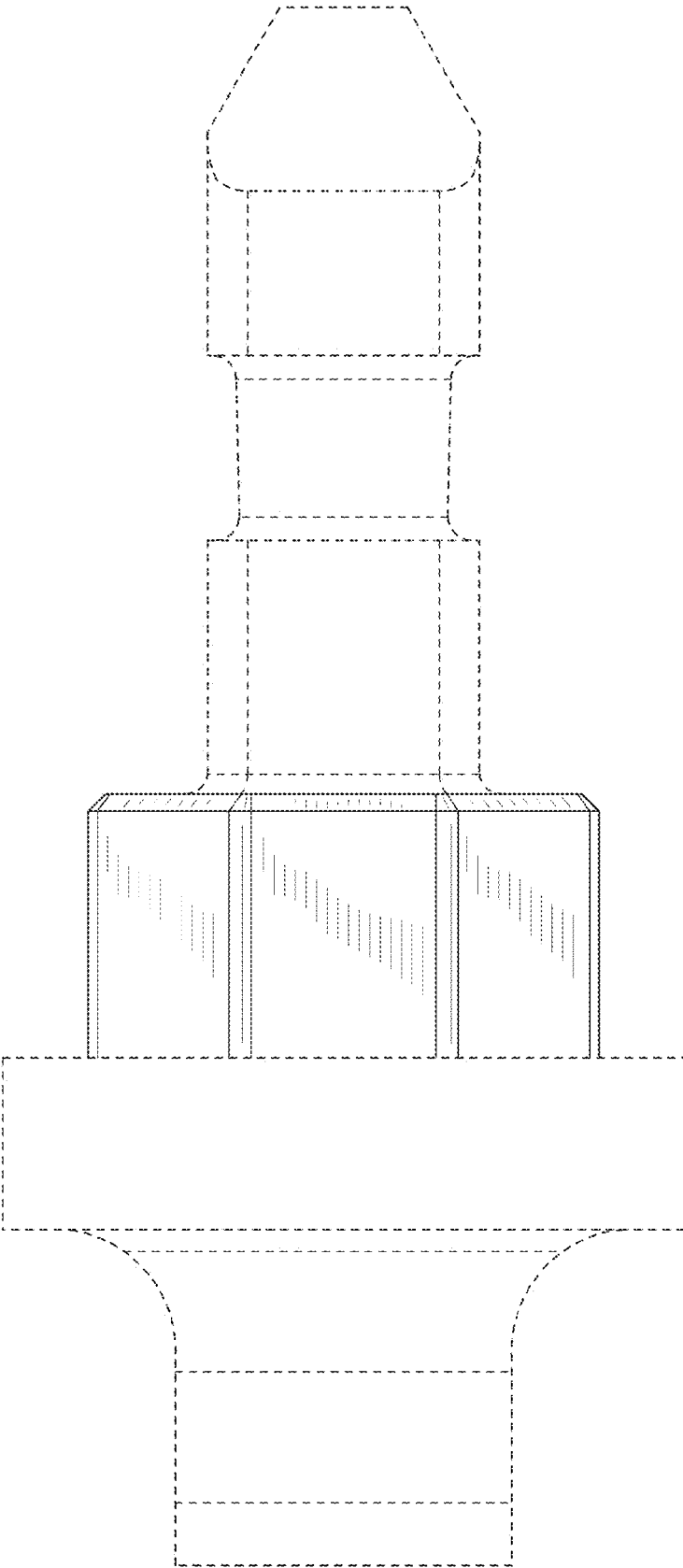


FIG. 5

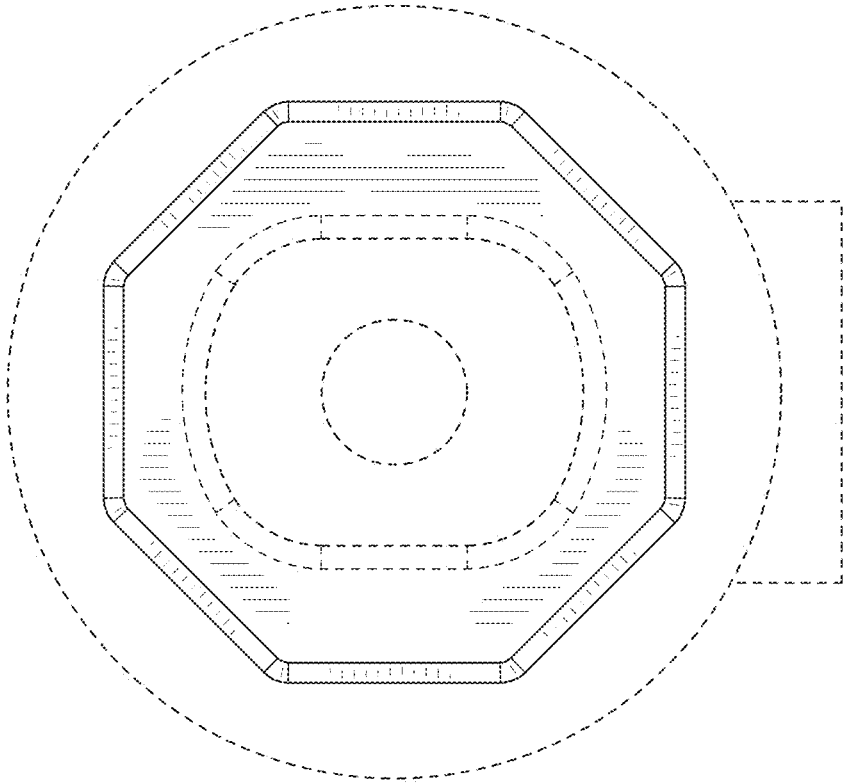


FIG. 6