



US00D766403S

(12) **United States Design Patent** (10) **Patent No.:** **US D766,403 S**
Urry et al. (45) **Date of Patent:** **** Sep. 13, 2016**

(54) **MANIFOLD**
(71) Applicant: **Orbit Irrigation Products, Inc.**, North Salt Lake, UT (US)
(72) Inventors: **Andrew Mark Urry**, Herriman, UT (US); **Jeffrey C. Thurgood**, Severance, CO (US); **Karl L. Connolly**, Bountiful, UT (US); **Kent C. Ericksen**, Centerville, UT (US); **Hugo Rodriguez**, South Salt Lake, UT (US)
(73) Assignee: **Orbit Irrigation Products, Inc.**, North Salt Lake, UT (US)
(**) Term: **15 Years**
(21) Appl. No.: **29/527,485**

(22) Filed: **May 19, 2015**
(51) **LOC (10) Cl.** **23-01**
(52) **U.S. Cl.**
USPC **D23/245**
(58) **Field of Classification Search**
USPC D23/233-250; 137/625, 861, 15.18, 137/597, 884, 15.21, 561 A, 885, 595, 137/596.12, 605, 606, 637, 15.01, 883, 270, 137/271; 123/184.56, 184.53, 184.61, 337, 123/90.13, 184.21, 184.47, 184.52; 285/119, 125.1, 129.1, 133.3, 133.4, 285/144.1, 317, 318; 405/36, 47, 51; 251/149.8, 309-310, 315, 315.14, 251/335.5

See application file for complete search history.

(56) **References Cited**
U.S. PATENT DOCUMENTS

5,950,575 A * 9/1999 Simons F24D 3/1066 122/511
D422,680 S * 4/2000 Guo D23/213
6,058,975 A * 5/2000 Hui-Chen F16K 11/20 137/271
D426,616 S * 6/2000 Hui-Chen D23/233
D499,174 S 11/2004 Goetz et al.
7,216,672 B1 * 5/2007 Chen F16K 11/20 137/883

7,243,684 B1 * 7/2007 Chen F16K 1/12 137/883
D747,361 S * 1/2016 Franklin D15/5
D749,701 S * 2/2016 Lo D23/245
2012/0286506 A1 * 11/2012 McKenzie F16L 3/13 285/119
2012/0312404 A1 * 12/2012 Choi F16L 19/065 137/883
2014/0299213 A1 * 10/2014 Cheng F16K 11/085 137/883

OTHER PUBLICATIONS

Orbit Irrigation Products, Inc., The product(s) shown in attachment 1 were sold or offered for sale by Orbit Irrigation Products, Inc., at least by May 18, 2014.

(Continued)

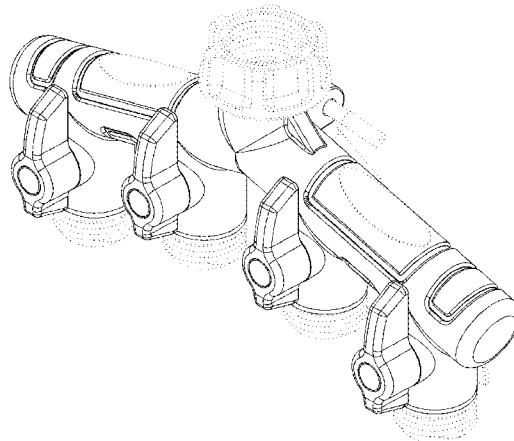
Primary Examiner — Cynthia Ramirez
Assistant Examiner — Gino Colan
(74) *Attorney, Agent, or Firm* — Austin Rapp & Hardman

(57) **CLAIM**
The ornamental design for a manifold, as shown and described.

DESCRIPTION

FIG. 1 is a front perspective view of a manifold showing our new design;
FIG. 2 is a rear perspective view thereof;
FIG. 3 is a front elevational view thereof;
FIG. 4 is a rear elevational view thereof;
FIG. 5 is a top plan view thereof;
FIG. 6 is a bottom plan view thereof;
FIG. 7 is a left elevational view thereof;
FIG. 8 is a right elevational view thereof; and,
FIG. 9 is a front view of the manifold shown in FIG. 1.
The broken lines in FIGS. 1 through 8 are included for the purpose of illustrating portions of the manifold and form no part of the claimed design. The broken lines in FIG. 9 are included for the purpose of illustrating portions of the manifold and environmental structure and form no part of the claimed design.

1 Claim, 9 Drawing Sheets



(56)

References Cited

OTHER PUBLICATIONS

Melnor, Inc., The product(s) shown in attachment 2 were sold or offered for sale by Melnor, Inc., on or before Mar. 19, 2013.
Melnor, Inc., AquaTimers, Web page retrieved on Jun. 17, 2013, apparently published on or before Jun. 24, 2012, web.archive.org/

web/20120624233645/http://www.melnor.com/products-aquatimers.php (Attachment 3).

Orbit Irrigation Products, Inc., The product(s) shown in attachment 4 were disclosed, sold or offered for sale by Orbit Irrigation Products, Inc., at least by May 18, 2014 in a private setting.

* cited by examiner

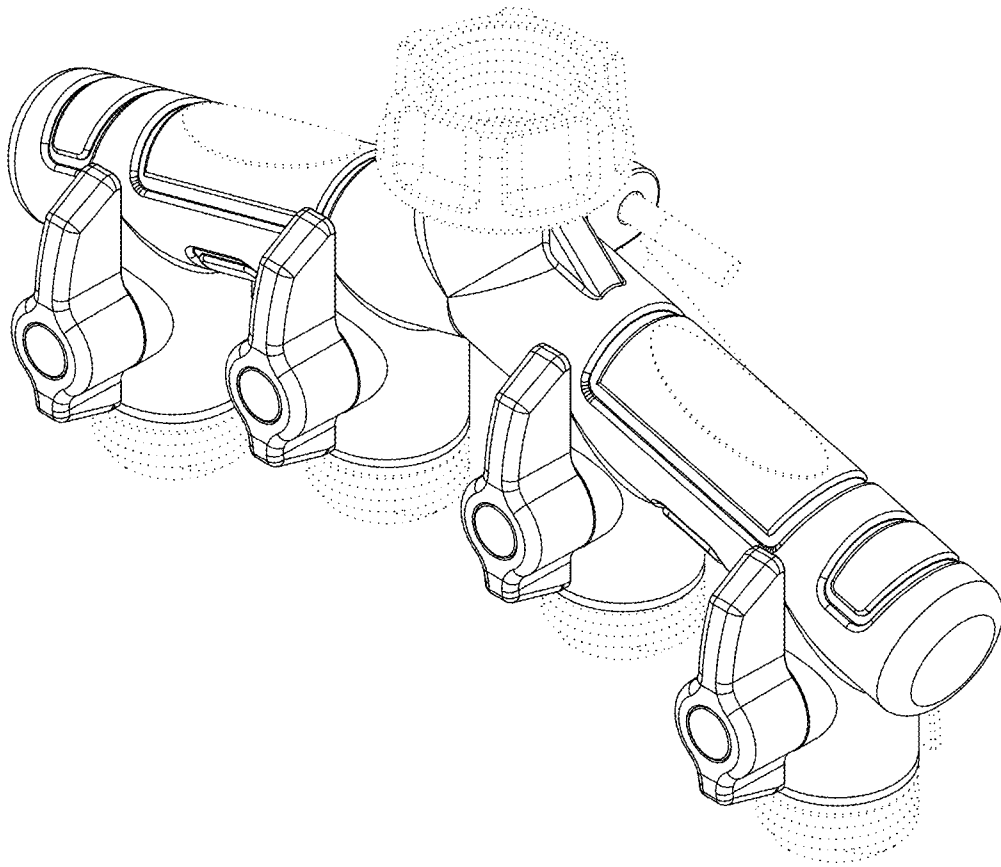


FIG. 1

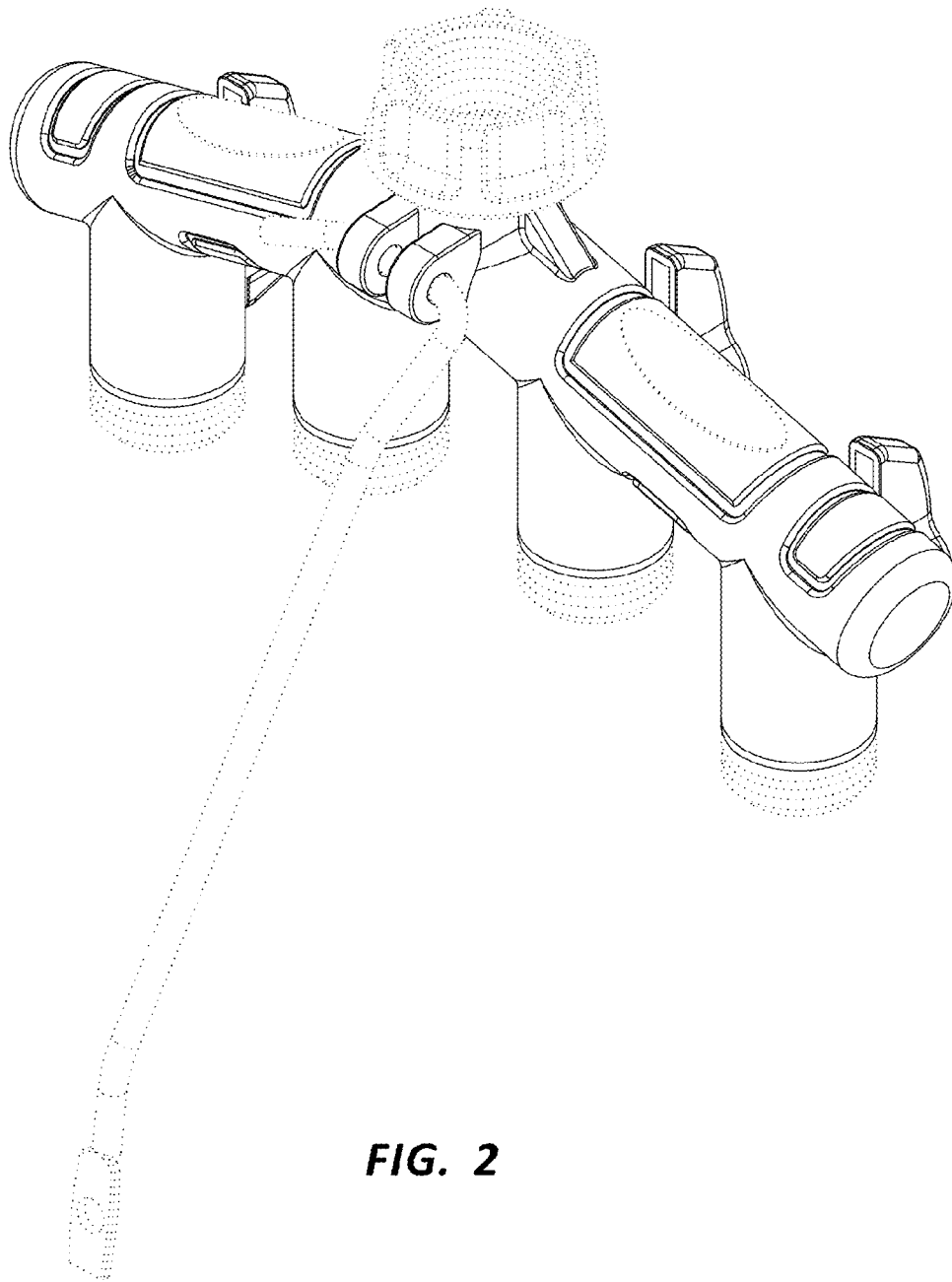


FIG. 2

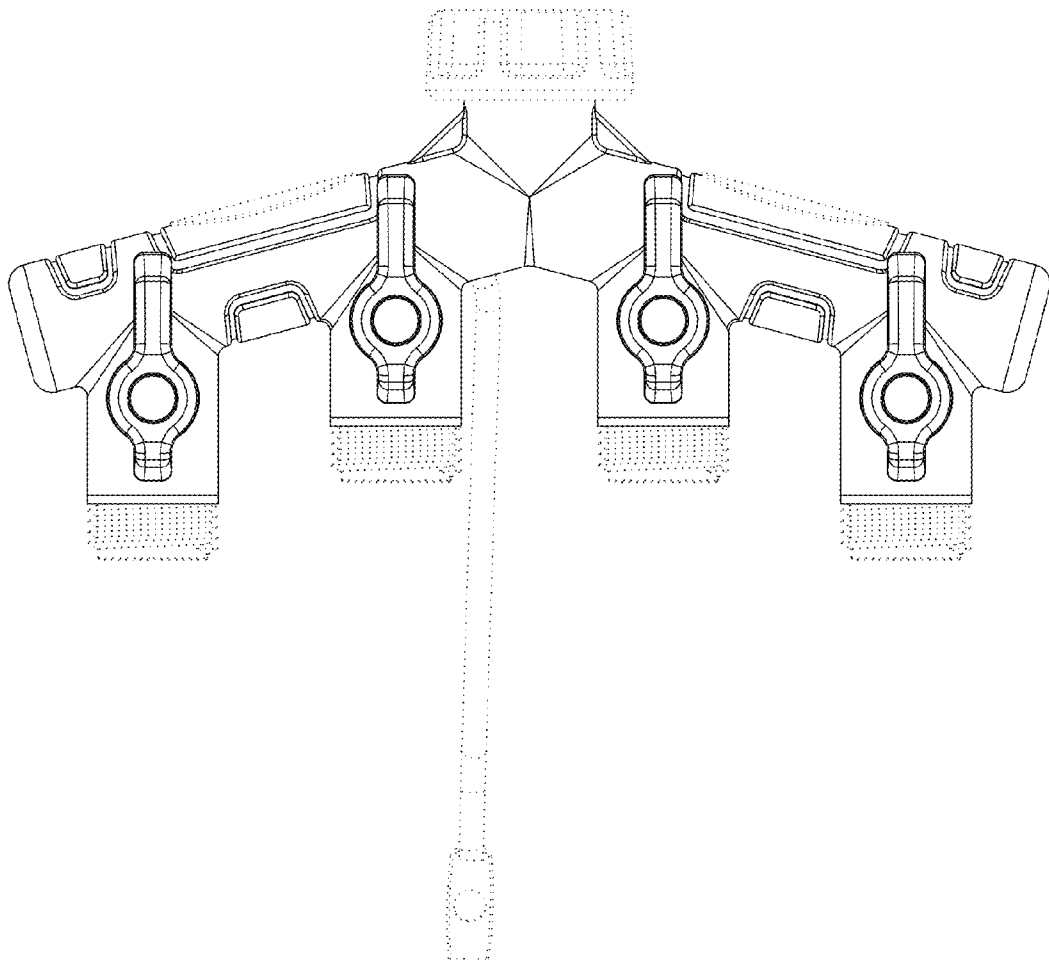


FIG. 3

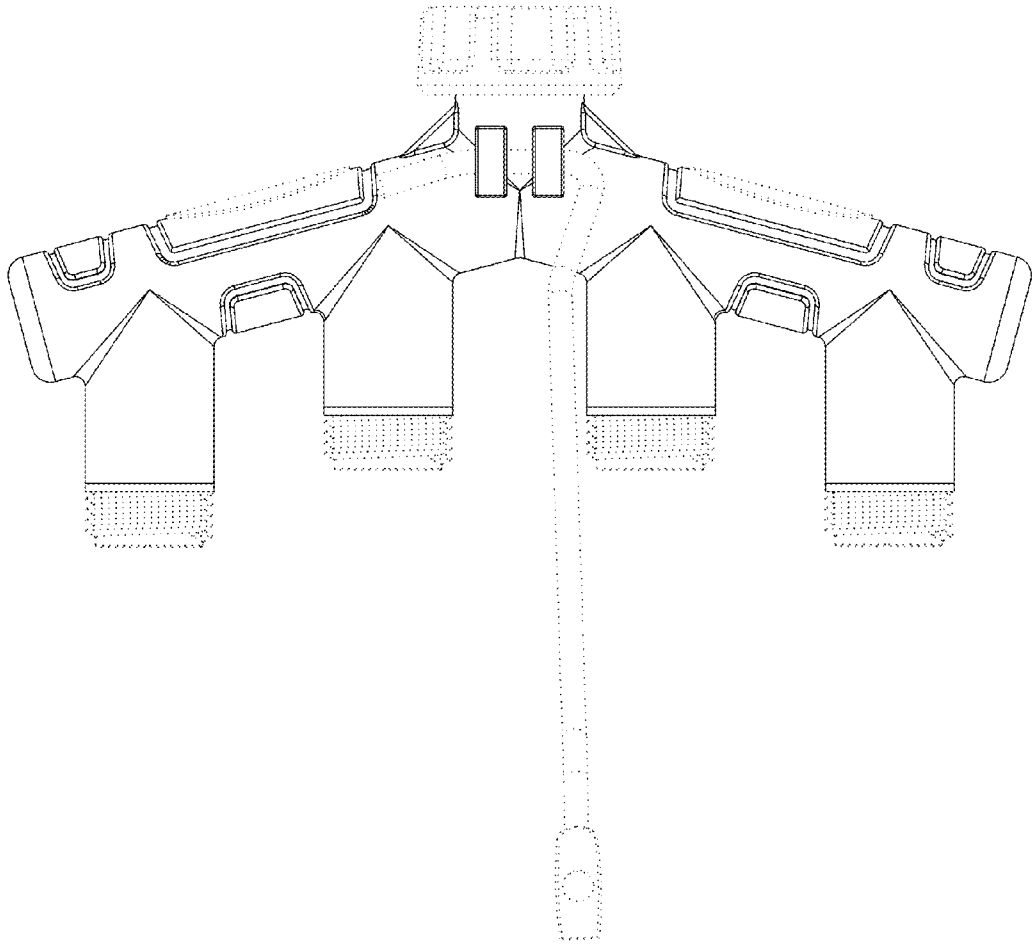


FIG. 4

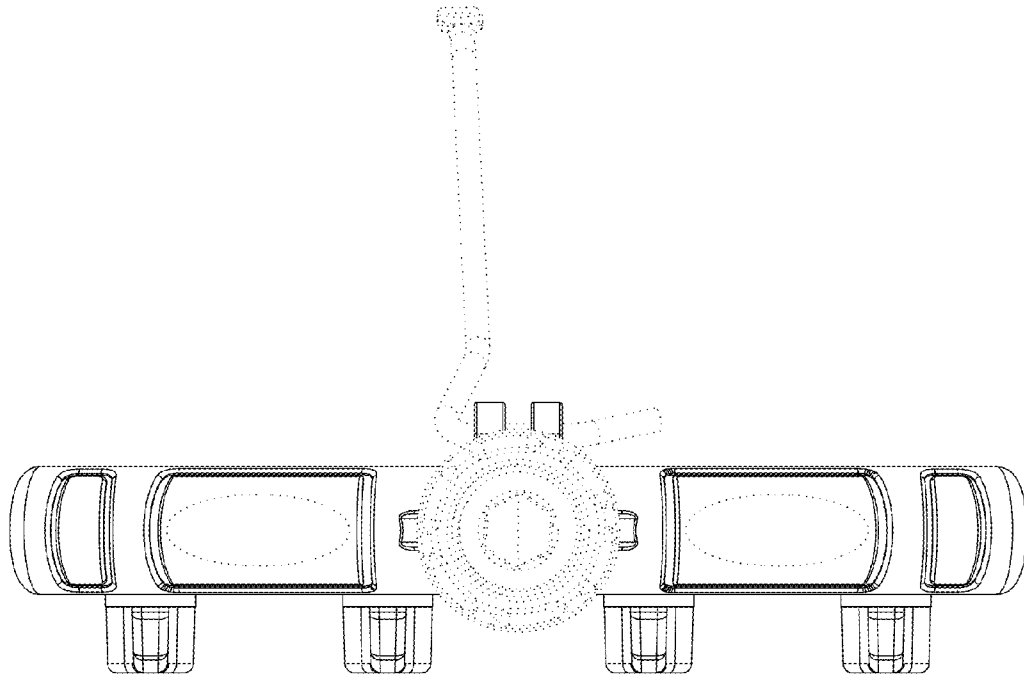


FIG. 5

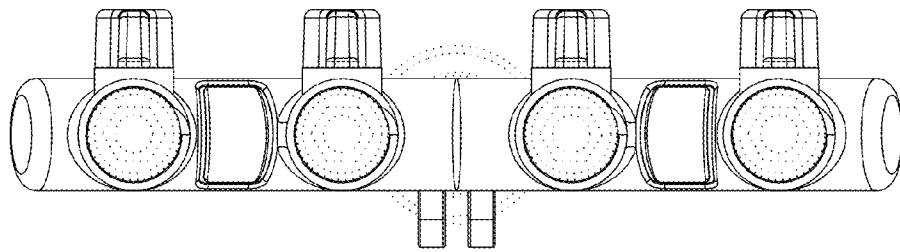


FIG. 6

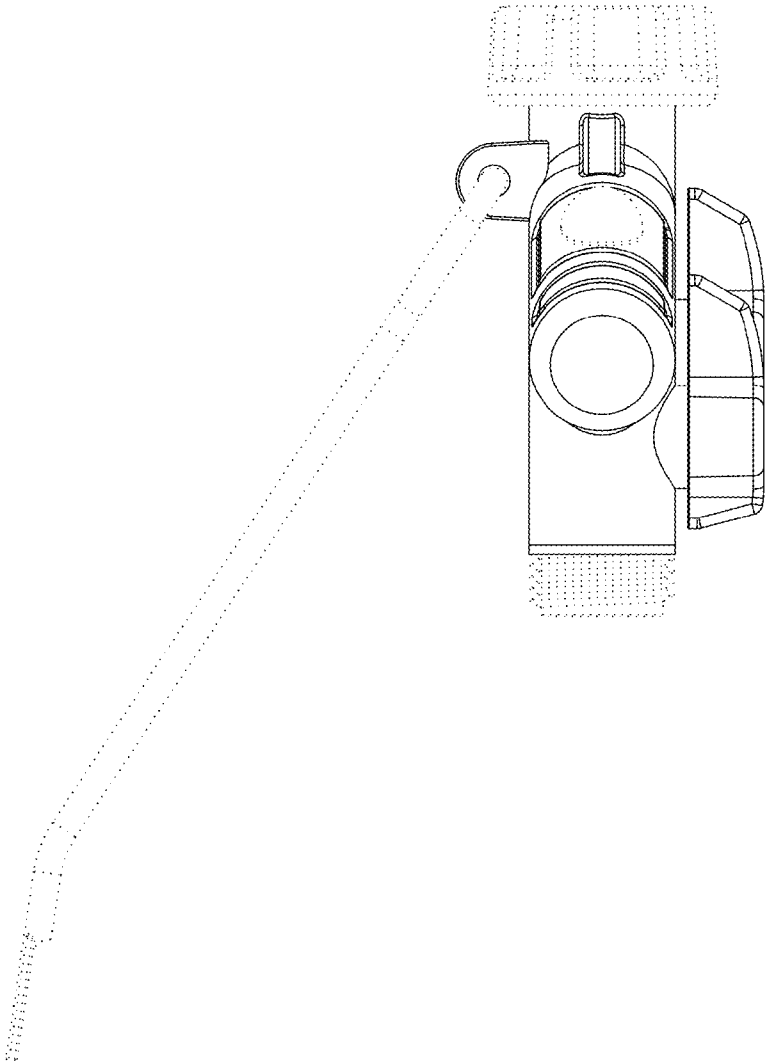


FIG. 7

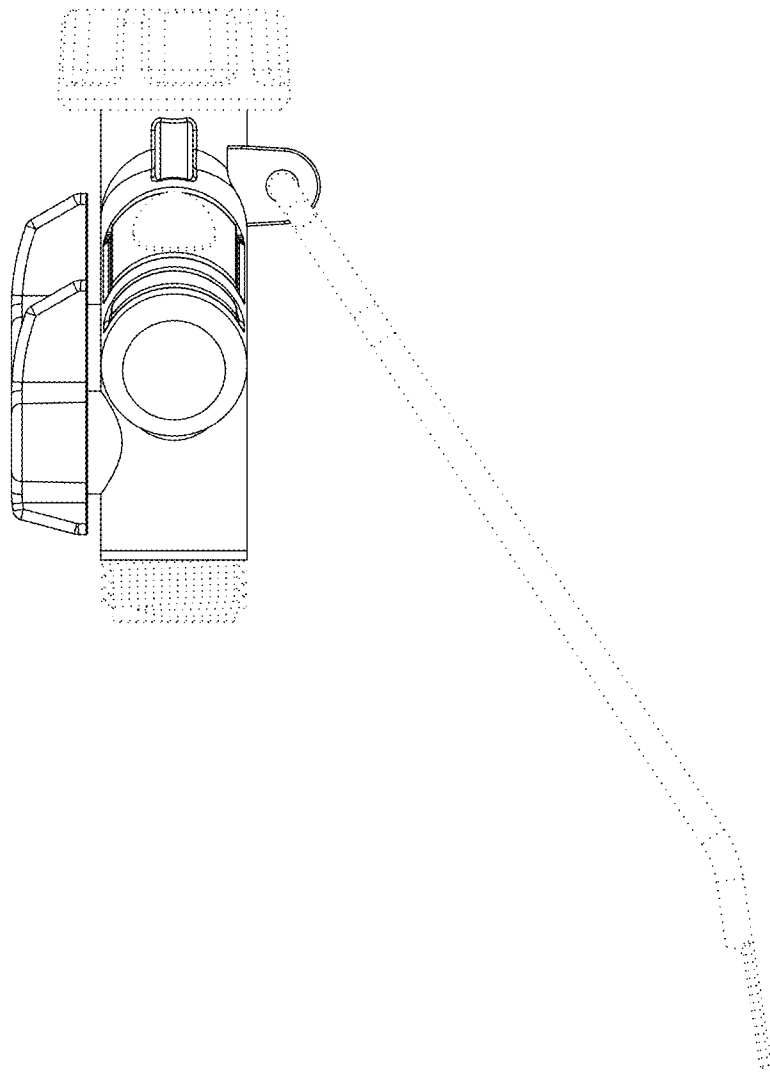


FIG. 8

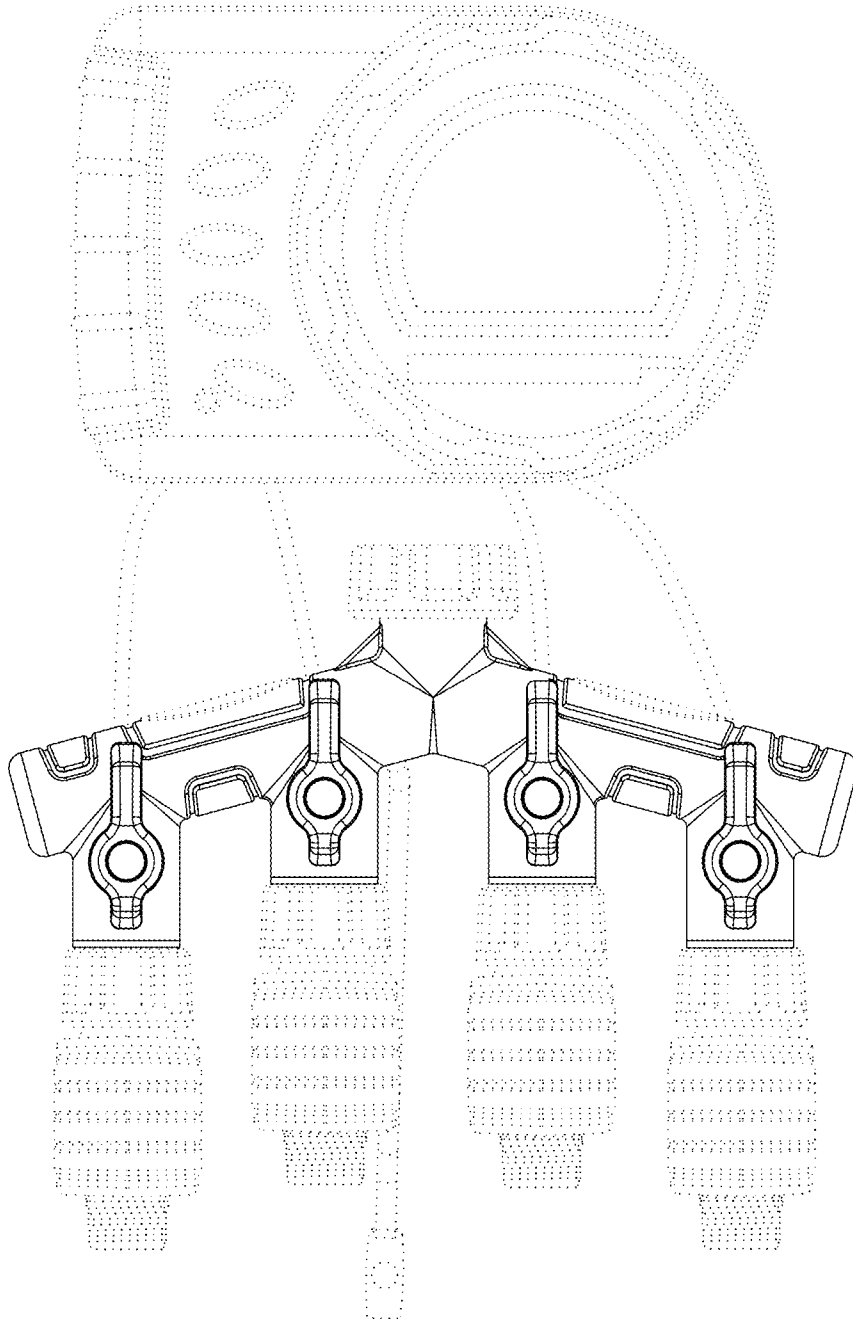


FIG. 9