

(19) World Intellectual Property Organization  
International Bureau



(43) International Publication Date  
13 October 2005 (13.10.2005)

PCT

(10) International Publication Number  
WO 2005/096242 A3

- (51) International Patent Classification<sup>7</sup>: **G08C 17/00**,  
H05B 37/02, H01L 23/467
- (21) International Application Number:  
PCT/GB2005/001196
- (22) International Filing Date: 29 March 2005 (29.03.2005)
- (25) Filing Language: English
- (26) Publication Language: English
- (30) Priority Data:  
0406983.7 29 March 2004 (29.03.2004) GB
- (71) Applicant and
- (72) Inventor: **BRISON, Paul, Stanley** [US/GB]; 15 Andrew  
Baxter Avenue, Shawsburn Village, Ashgill, Larkhall La-  
markshire ML9 3RG (GB).
- (74) Agents: **HACKNEY, Nigel** et al.; Mewburn Ellis LLP,  
York House, 23 Kingsway, London Greater London WC2B  
6HP (GB).
- (81) Designated States (unless otherwise indicated, for every  
kind of national protection available): AE, AG, AL, AM,  
AT, AU, AZ, BA, BB, BG, BR, BW, BY, BZ, CA, CH, CN,

CO, CR, CU, CZ, DE, DK, DM, DZ, EC, EE, EG, ES, FI,  
GB, GD, GE, GH, GM, HR, HU, ID, IL, IN, IS, JP, KE,  
KG, KP, KR, KZ, LC, LK, LR, LS, LT, LU, LV, MA, MD,  
MG, MK, MN, MW, MX, MZ, NA, NI, NO, NZ, OM, PG,  
PH, PL, PT, RO, RU, SC, SD, SE, SG, SK, SL, SM, SY,  
TJ, TM, TN, TR, TT, TZ, UA, UG, US, UZ, VC, VN, YU,  
ZA, ZM, ZW.

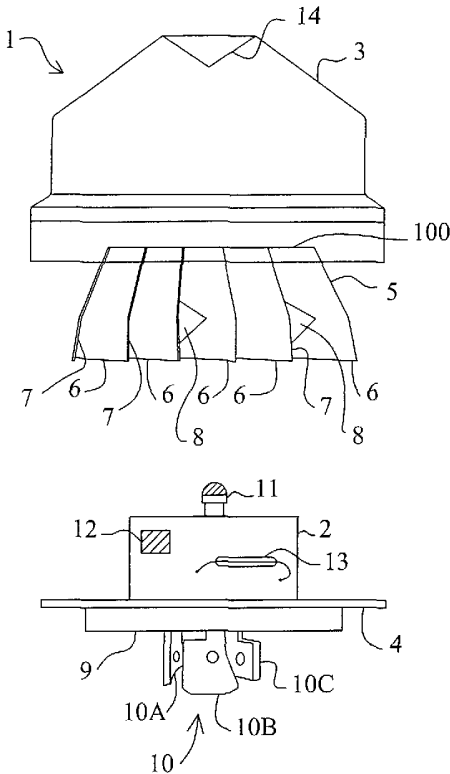
(84) Designated States (unless otherwise indicated, for every  
kind of regional protection available): ARIPO (BW, GH,  
GM, KE, LS, MW, MZ, NA, SD, SL, SZ, TZ, UG, ZM,  
ZW), Eurasian (AM, AZ, BY, KG, KZ, MD, RU, TJ, TM),  
European (AT, BE, BG, CH, CY, CZ, DE, DK, EE, ES, FI,  
FR, GB, GR, HU, IE, IS, IT, LT, LU, MC, NL, PL, PT, RO,  
SE, SI, SK, TR), OAPI (BF, BJ, CF, CG, CI, CM, GA, GN,  
GQ, GW, ML, MR, NE, SN, TD, TG).

**Published:**

- with international search report
- before the expiration of the time limit for amending the  
claims and to be republished in the event of receipt of  
amendments

[Continued on next page]

(54) Title: APPARATUS AND METHOD OF POWER CONTROL



(57) Abstract: A power controller for controlling power delivery to a light, the power controller having a control unit in a weather proof casing responsive not only to remote power control signals, but also to be responsive to a remote stimulus with which the mode of operation of the power controller may be controlled. The power controller may include the casing, the control unit disposed within the casing, and a heat sink means disposed within the casing in a space between the control unit and parts of the casing, the heat sink means including a group of vane members each positioned in an array of vane members collectively surrounding at least a part of the control unit in which vane members are arranged to partially overlap other vane members (e.g. neighbouring vane of the array) in separated opposition thereto to define fluid ventilation ducts (e.g. for fluid inlet and/or outlet).



WO 2005/096242 A3



---

**(88) Date of publication of the international search report:**

19 January 2006

*For two-letter codes and other abbreviations, refer to the "Guidance Notes on Codes and Abbreviations" appearing at the beginning of each regular issue of the PCT Gazette.*

# INTERNATIONAL SEARCH REPORT

International Application No  
**PC17GB2005/001196**

**A. CLASSIFICATION OF SUBJECT MATTER**  
G08C17/00 H05B37/02 H01L23/467

According to International Patent Classification (IPC) or to both national classification and IPC

**B. FIELDS SEARCHED**

Minimum documentation searched (classification system followed by classification symbols)  
G08C

Documentation searched other than minimum documentation to the extent that such documents are included in the fields searched

Electronic data base consulted during the international search (name of data base and, where practical, search terms used)

EPO-Internal

**C. DOCUMENTS CONSIDERED TO BE RELEVANT**

Category °	Citation of document, with indication, where appropriate, of the relevant passages	Relevant to claim No.
X	DE 100 35 764 A1 (ROBERT BOSCH GMBH) 23 May 2002 (2002-05-23)  column 2, line 36 - column 3, line 51 -----	1,2, 9-11,13, 14,32, 33,38,39
X	US 6 300 727 B1 (BRYDE GARY W ET AL) 9 October 2001 (2001-10-09)  column 7, line 11 - line 57 column 13, line 15 - column 14, line 67 column 17, line 25 - column 18, line 63 column 21, line 5 - line 35 -----  -/--	1,3, 9-12,14, 15,32, 34,37,39

Further documents are listed in the continuation of box C.

Patent family members are listed in annex.

° Special categories of cited documents:

- \*A\* document defining the general state of the art which is not considered to be of particular relevance
- \*E\* earlier document but published on or after the international filing date
- \*L\* document which may throw doubts on priority claim(s) or which is cited to establish the publication date of another citation or other special reason (as specified)
- \*O\* document referring to an oral disclosure, use, exhibition or other means
- \*P\* document published prior to the international filing date but later than the priority date claimed

- \*T\* later document published after the international filing date or priority date and not in conflict with the application but cited to understand the principle or theory underlying the invention
- \*X\* document of particular relevance; the claimed invention cannot be considered novel or cannot be considered to involve an inventive step when the document is taken alone
- \*Y\* document of particular relevance; the claimed invention cannot be considered to involve an inventive step when the document is combined with one or more other such documents, such combination being obvious to a person skilled in the art.
- \*&\* document member of the same patent family

Date of the actual completion of the international search

11 November 2005

Date of mailing of the international search report

28. 11. 2005

Name and mailing address of the ISA  
European Patent Office, P.B. 5818 Patentlaan 2  
NL - 2280 HV Rijswijk  
Tel. (+31-70) 340-2040, Tx. 31 651 epo nl,  
Fax: (+31-70) 340-3016

Authorized officer  
  
Pham, P

## INTERNATIONAL SEARCH REPORT

Inter nal Application No  
PCT/GB2005/001196

## C.(Continuation) DOCUMENTS CONSIDERED TO BE RELEVANT

Category °	Citation of document, with indication, where appropriate, of the relevant passages	Relevant to claim No.
X	US 2003/151909 A1 (SID ALBERTO) 14 August 2003 (2003-08-14)	1-3, 9-12,14, 32-34, 37,39
Y	paragraph '0042! - paragraph '0066!	4-8,35, 36
Y	----- US 5 869 934 A (GOFF ET AL) 9 February 1999 (1999-02-09) column 4, line 66 - column 6, line 56	4-8,35, 36
A	----- US 4 490 625 A (DILLY ET AL) 25 December 1984 (1984-12-25) column 2, line 45 - column 4, line 56	1-15, 32-40
Y	----- US 5 532 557 A (SAIDIAN ET AL) 2 July 1996 (1996-07-02) column 4, line 28 - column 5, line 11 column 7, line 42 - column 9, line 28 column 9, line 51 - column 11, line 8	16-31
Y	----- US 6 698 499 B1 (WAGNER GUY R ET AL) 2 March 2004 (2004-03-02) column 5, line 6 - column 8, line 67	16-31
A	----- US 6 621 700 B1 (ROMAN ALFRED R ET AL) 16 September 2003 (2003-09-16) column 4, line 12 - column 6, line 5 column 8, line 16 - line 48	16-31

# INTERNATIONAL SEARCH REPORT

International application No.  
PCT/GB2005/001196

## Box II Observations where certain claims were found unsearchable (Continuation of item 2 of first sheet)

This International Search Report has not been established in respect of certain claims under Article 17(2)(a) for the following reasons:

1.  Claims Nos.:  
because they relate to subject matter not required to be searched by this Authority, namely:
  
2.  Claims Nos.:  
because they relate to parts of the International Application that do not comply with the prescribed requirements to such an extent that no meaningful International Search can be carried out, specifically:
  
3.  Claims Nos.:  
because they are dependent claims and are not drafted in accordance with the second and third sentences of Rule 6.4(a).

## Box III Observations where unity of invention is lacking (Continuation of item 3 of first sheet)

This International Searching Authority found multiple inventions in this international application, as follows:

see additional sheet

1.  As all required additional search fees were timely paid by the applicant, this International Search Report covers all searchable claims.
2.  As all searchable claims could be searched without effort justifying an additional fee, this Authority did not invite payment of any additional fee.
3.  As only some of the required additional search fees were timely paid by the applicant, this International Search Report covers only those claims for which fees were paid, specifically claims Nos.:
4.  No required additional search fees were timely paid by the applicant. Consequently, this International Search Report is restricted to the invention first mentioned in the claims; it is covered by claims Nos.:

### Remark on Protest

- The additional search fees were accompanied by the applicant's protest.
- No protest accompanied the payment of additional search fees.

This International Searching Authority found multiple (groups of) inventions in this international application, as follows:

1. claims: 1-15,32-40

A power controller and method for controlling power for lights with magnetic detector means for wirelessly controlling the operating modes of the power controller.

---

2. claims: 16-31

A power controller for lights with heat sink means for controlling the temperature of the power controller.

---

# INTERNATIONAL SEARCH REPORT

Information on patent family members

International Application No  
PCT/GB2005/001196

Patent document cited in search report	Publication date	Patent family member(s)	Publication date
DE 10035764	A1	23-05-2002	NONE
US 6300727	B1	09-10-2001	NONE
US 2003151909	A1	14-08-2003	US 2004196140 A1 07-10-2004
US 5869934	A	09-02-1999	NONE
US 4490625	A	25-12-1984	NONE
US 5532557	A	02-07-1996	US 5208516 A 04-05-1993
US 6698499	B1	02-03-2004	NONE
US 6621700	B1	16-09-2003	US 6862182 B1 01-03-2005