

(19) World Intellectual Property Organization
International Bureau



(43) International Publication Date
12 September 2008 (12.09.2008)

PCT

(10) International Publication Number
WO 2008/109872 A3

(51) International Patent Classification:
A61F 2/08 (2006.01)

(21) International Application Number:
PCT/US2008/056319

(22) International Filing Date: 7 March 2008 (07.03.2008)

(25) Filing Language: English

(26) Publication Language: English

(30) Priority Data:
60/905,508 7 March 2007 (07.03.2007) US

(71) Applicant (for all designated States except US):
SPINEWORKS MEDICAL, INC. [US/US]; 1735
North First Street, Suite 245, San Jose, CA 951 12 (US).

(72) Inventors; and

(75) Inventors/Applicants (for US only): **CHIRICO, Paul, E.**
[US/US]; 797 Dry Creed Road, Campbell, CA 95005 (US).
CHAN, Benny, M. [US/US]; 4900 Friar Avenue, Fremont,
CA 94555 (US).

(74) Agents: **SHOOP, Richard, D.** et al.; Shay Glenn, LLP,
2755 Campus Drive, Suite 210, San Mateo, CA 94403
(US).

(81) Designated States (unless otherwise indicated, for every kind of national protection available): AE, AG, AL, AM, AO, AT, AU, AZ, BA, BB, BG, BH, BR, BW, BY, BZ, CA, CH, CN, CO, CR, CU, CZ, DE, DK, DM, DO, DZ, EC, EE, EG, ES, FT, GB, GD, GE, GH, GM, GT, HN, HR, HU, ID, IL, IN, IS, JP, KE, KG, KM, KN, KP, KR, KZ, LA, LC, LK, LR, LS, LT, LU, LY, MA, MD, ME, MG, MK, MN, MW, MX, MY, MZ, NA, NG, NI, NO, NZ, OM, PG, PH, PL, PT, RO, RS, RU, SC, SD, SE, SG, SK, SL, SM, SV, SY, TJ, TM, TN, TR, TT, TZ, UA, UG, US, UZ, VC, VN, ZA, ZM, ZW

(84) Designated States (unless otherwise indicated, for every kind of regional protection available): ARIPO (BW, GH, GM, KE, LS, MW, MZ, NA, SD, SL, SZ, TZ, UG, ZM, ZW), Eurasian (AM, AZ, BY, KG, KZ, MD, RU, TJ, TM), European (AT, BE, BG, CH, CY, CZ, DE, DK, EE, ES, FI, FR, GB, GR, HR, HU, IE, IS, IT, LT, LU, LV, MC, MT, NL, NO, PL, PT, RO, SE, SI, SK, TR), OAPI (BF, BJ, CF, CG, CI, CM, GA, GN, GQ, GW, ML, MR, NE, SN, TD, TG).

Published:

- with international search report
- before the expiration of the time limit for amending the claims and to be republished in the event of receipt of amendments

(88) Date of publication of the international search report:
20 November 2008

(54) Title: SYSTEMS, METHODS, AND DEVICES FOR SOFT TISSUE ATTACHMENT TO BONE

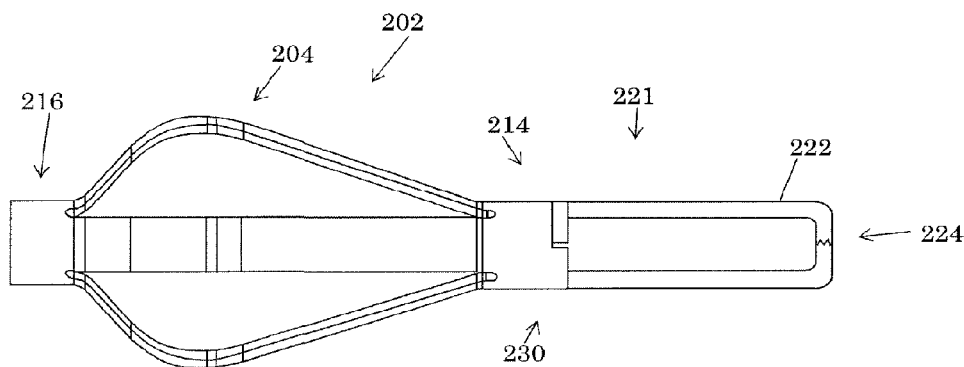


FIG. 2A

(57) Abstract: The soft tissue anchor devices, systems and methods described herein may aid in the attachment of ligaments, muscles, tendons, and other soft tissues to bone. These soft tissue anchor devices typically include a self-expanding bone anchor region including an elongate shaft that may be positioned within bone and expanded to anchor to the bone, and one or more soft tissue attachment regions adapted to attach soft tissue thereto.

WO 2008/109872 A3

INTERNATIONAL SEARCH REPORT

International application No

PCT/US2008/056319

A. CLASSIFICATION OF SUBJECT MATTER INV. A61F2/08		
According to International Patent Classification (IPC) or to both national classification and IPC		
B. REIDS SEARCHED		
Minimum documentation searched (classification system followed by classification symbols) A61F		
Documentation searched other than minimum documentation to the extent that such documents are included in the fields searched		
Electronic data base consulted during the international search (name of data base and, where practical, search terms used) EPO-Internal , WPI Data		
C. DOCUMENTS CONSIDERED TO BE RELEVANT		
Category*	Citation of document, with indication, where appropriate, of the relevant passages	Relevant to claim No.
X	US 2005/143734 A1 (CACHIA VICTOR V [US] ET AL) 30 June 2005 (2005-06-30) paragraphs [0063], [0064], [0069], [0109], [0133] - [0137], [0156] - [0179], [0184], [0185]; figures 15-33	1-7,9, 13-19, 21,25-27
Y	----- US 6 149 669 A (LI LEHMANN K [US]) 21 November 2000 (2000-11-21) column 3, line 63 - column 5, line 14 column 6, line 17 - line 45 column 7, line 19 - line 24 figures 1-10 ----- -/--	8,10-12, 20,22-24
Y	US 6 149 669 A (LI LEHMANN K [US]) 21 November 2000 (2000-11-21) column 3, line 63 - column 5, line 14 column 6, line 17 - line 45 column 7, line 19 - line 24 figures 1-10	8,10,11, 20,22,23
<input checked="" type="checkbox"/> Further documents are listed in the continuation of Box C. <input checked="" type="checkbox"/> See patent family annex.		
* Special categories of cited documents : 'A' document defining the general state of the art which is not considered to be of particular relevance 'E' earlier document but published on or after the international filing date 'L' document which may throw doubts on priority claim(s) or which is cited to establish the publication date of another citation or other special reason (as specified) 'O' document referring to an oral disclosure, use, exhibition or other means 'P' document published prior to the international filing date but later than the priority date claimed 'T' later document published after the international filing date or priority date and not in conflict with the application but cited to understand the principle or theory underlying the invention 'X' document of particular relevance; the claimed invention cannot be considered novel or cannot be considered to involve an inventive step when the document is taken alone 'Y' document of particular relevance; the claimed invention cannot be considered to involve an inventive step when the document is combined with one or more other such documents, such combination being obvious to a person skilled in the art. '&' document member of the same patent family		
Date of the actual completion of the international search 2 October 2008		Date of mailing of the international search report 13/10/2008
Name and mailing address of the ISA/ European Patent Office, P.B. 5818 Patentlaan 2 NL - 2280 HV Rijswijk Tel. (+31-70) 340-2040, Tx. 31 651 epo nl, Fax: (+31-70) 340-3016		Authorized officer Geuer, Melanie

INTERNATIONAL SEARCH REPORT

International application No

PCT/US2008/056319

C(Continuation). DOCUMENTS CONSIDERED TO BE RELEVANT		
Category*	Citation of document, with indication, where appropriate, of the relevant passages	Relevant to claim No
Y	<p>US 5 725 541 A (ANSPACH III WILLIAM E [US] ET AL) 10 March 1998 (1998-03-10) column 1, line 44 - column 2, line 19 column 3, line 61 - column 4, line 39 column 6, line 1 - column 7, line 21 figures 1-13</p> <p style="text-align: center;">-----</p>	12, 24
A	<p>US 6 582 453 B1 (TRAN MINH [US] ET AL) 24 June 2003 (2003-06-24) column 5, line 8 - line 28 column 8, line 49 - column 11, line 31 figures 2A-10</p> <p style="text-align: center;">-----</p>	1-24
A	<p>US 6 328 758 B1 (TORNIER ALAIN [FR] ET AL) 11 December 2001 (2001-12-11) column 4, line 21 - column 7, line 21 figures 1-4D</p> <p style="text-align: center;">-----</p>	1-27

INTERNATIONAL SEARCH REPORT

International application No.
PCT/US2008/056319

Box No. II Observations where certain claims were found unsearchable (Continuation of item 2 of first sheet)

This international search report has not been established in respect of certain claims under Article 17(2)(a) for the following reasons:

1. Claims Nos.: 28-35
because they relate to subject matter not required to be searched by this Authority, namely:
Rule 39.1(iv) PCT - Method for treatment of the human or animal body by surgery
2. Claims Nos.:
because they relate to parts of the international application that do not comply with the prescribed requirements to such an extent that no meaningful international search can be carried out, specifically:
3. Claims Nos.:
because they are dependent claims and are not drafted in accordance with the second and third sentences of Rule 6.4(a).

Box No. III Observations where unity of invention is lacking (Continuation of item 3 of first sheet)

This International Searching Authority found multiple inventions in this international application, as follows:

1. As all required additional search fees were timely paid by the applicant, this international search report covers allsearchable claims.
2. As all searchable claims could be searched without effort Justifying an additional fees, this Authority did not invite payment of additional fees.
3. As only some of the required additional search fees were timely paid by the applicant, this international search report covers only those claims for which fees were paid, specifically claims Nos.:
4. No required additional search fees were timely paid by the applicant. Consequently, this international search report is restricted to the invention first mentioned in the claims; it is covered by claims Nos.:

Remark on Protest

The additional search fees were accompanied by the applicant's protest and, where applicable, the payment of a protest fee.

The additional search fees were accompanied by the applicant's protest but the applicable protest fee was not paid within the time limit specified in the invitation.

D No protest accompanied the payment of additional search fees.

INTERNATIONAL SEARCH REPORT

Information on patent family members

International application No PCT/US2008/056319
--

Patent document cited in search report	Publication date	Patent family member(s)	Publication date
US 2005143734	A1	30-06-2005	NONE
<hr style="border-top: 1px dashed black;"/>			
us 6149669	A	21-11-2000	NONE
<hr style="border-top: 1px dashed black;"/>			
us 5725541	A	10-03-1998	US 5741282 A 21-04-1998
<hr style="border-top: 1px dashed black;"/>			
us 6582453	B1	24-06-2003	US 2003195564 A1 16-10-2003
<hr style="border-top: 1px dashed black;"/>			
US 6328758	B1	11-12-2001	DE 69924477 D1 04-05--2005
		DE 69924477 T2 16-02--2006	
		DE 69934267 T2 14-06--2007	
		EP 1073374 A1 07-02--2001	
		ES 2276214 T3 16-06--2007	
		ES 2241274 T3 16-10--2005	
		FR 2777442 A1 22-10--1999	
		WO 9953844 A1 28-10--1999	
<hr style="border-top: 1px dashed black;"/>			