



US00D957779S

(12) **United States Design Patent**
Zang

(10) **Patent No.:** **US D957,779 S**

(45) **Date of Patent:** **** Jul. 12, 2022**

(54) **DISH RACK**

D925,852 S * 7/2021 XiangZe D32/55
D939,167 S * 12/2021 Fan D32/55
2016/0249783 A1* 9/2016 Oh A47L 19/04
211/41.4

(71) Applicant: **Qionghua Zang**, Jingzhou (CN)

(72) Inventor: **Qionghua Zang**, Jingzhou (CN)

(**) Term: **15 Years**

FOREIGN PATENT DOCUMENTS

KR 300811140 * 8/2015

(21) Appl. No.: **29/796,585**

(22) Filed: **Jun. 25, 2021**

(51) **LOC (13) CI.** **07-05**

(52) **U.S. CI.**
USPC **D32/55**

(58) **Field of Classification Search**

USPC D6/525; D30/133; D32/55-59
CPC A47L 19/00; A47L 19/02; A47L 17/00;
A47L 17/04; A47J 47/20; A47J 2201/00;
A47J 47/00; B65D 35/02

See application file for complete search history.

OTHER PUBLICATIONS

Amazon.com—Kitsure Dish Drying Rack https://www.amazon.com/Kitsure-Rustproof-Capacity-Installation-Adjustable/dp/B096FRCBV3?ref=ast_sto_dp&th=1 (Year: 2022).
Bed Bath and Beyond Umbra® Holster Dish Rack <https://www.bedbathandbeyond.com/store/product/umbra-holster-dish-rack-in-charcoal/5167854> (Year: 2019).*

* cited by examiner

Primary Examiner — Michelle E. Wilson
Assistant Examiner — Richard E Yenchesky

(56) **References Cited**

U.S. PATENT DOCUMENTS

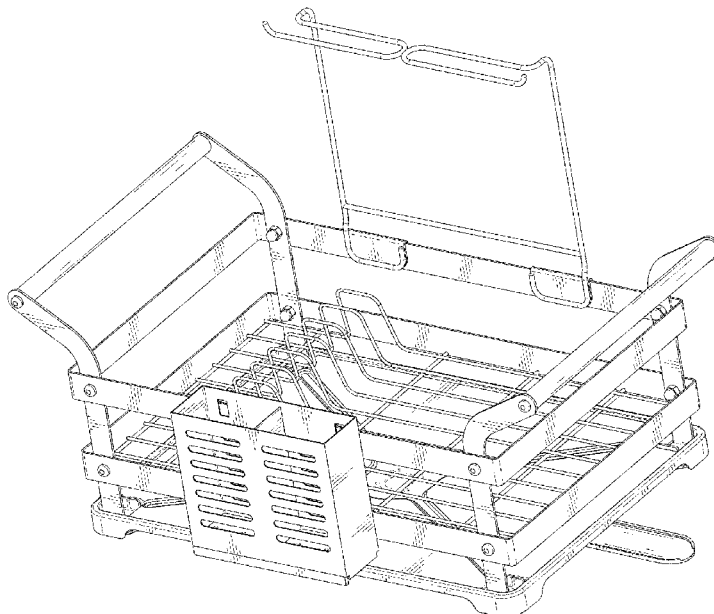
D559,491 S *	1/2008	Yang	D32/55
D599,067 S *	8/2009	Yang	D32/55
D599,068 S *	8/2009	Yang	D32/55
D647,678 S *	10/2011	Yang	D32/55
D693,081 S *	11/2013	Yang	D32/55
D776,385 S *	1/2017	Evans	D32/55
D776,387 S *	1/2017	Chen	D32/56
D799,133 S *	10/2017	Wong	D32/55
D819,289 S *	5/2018	Umholtz	D32/55
D822,929 S *	7/2018	Kim	D32/55
D874,775 S *	2/2020	Xie	D32/55
D887,098 S *	6/2020	Li	D32/55
D914,312 S *	3/2021	Cheng	D32/55
D915,707 S *	4/2021	Li	D32/55
D921,316 S *	6/2021	Zhou	D32/55
D921,318 S *	6/2021	Ling	D32/55
D921,319 S *	6/2021	Xie	D32/55

(57) **CLAIM**
The ornamental design for a dish rack, as shown and described.

DESCRIPTION

FIG. 1 is a perspective view of a dish rack showing my new design;
FIG. 2 is another perspective view thereof;
FIG. 3 is a front elevational view thereof;
FIG. 4 is a rear elevational view thereof;
FIG. 5 is a left side elevational view thereof;
FIG. 6 is a right side elevational view thereof;
FIG. 7 is a top plan view thereof; and,
FIG. 8 is a bottom plan view thereof.
The broken lines in the drawings depict portions of the dish rack that form no part of the claimed design.

1 Claim, 8 Drawing Sheets



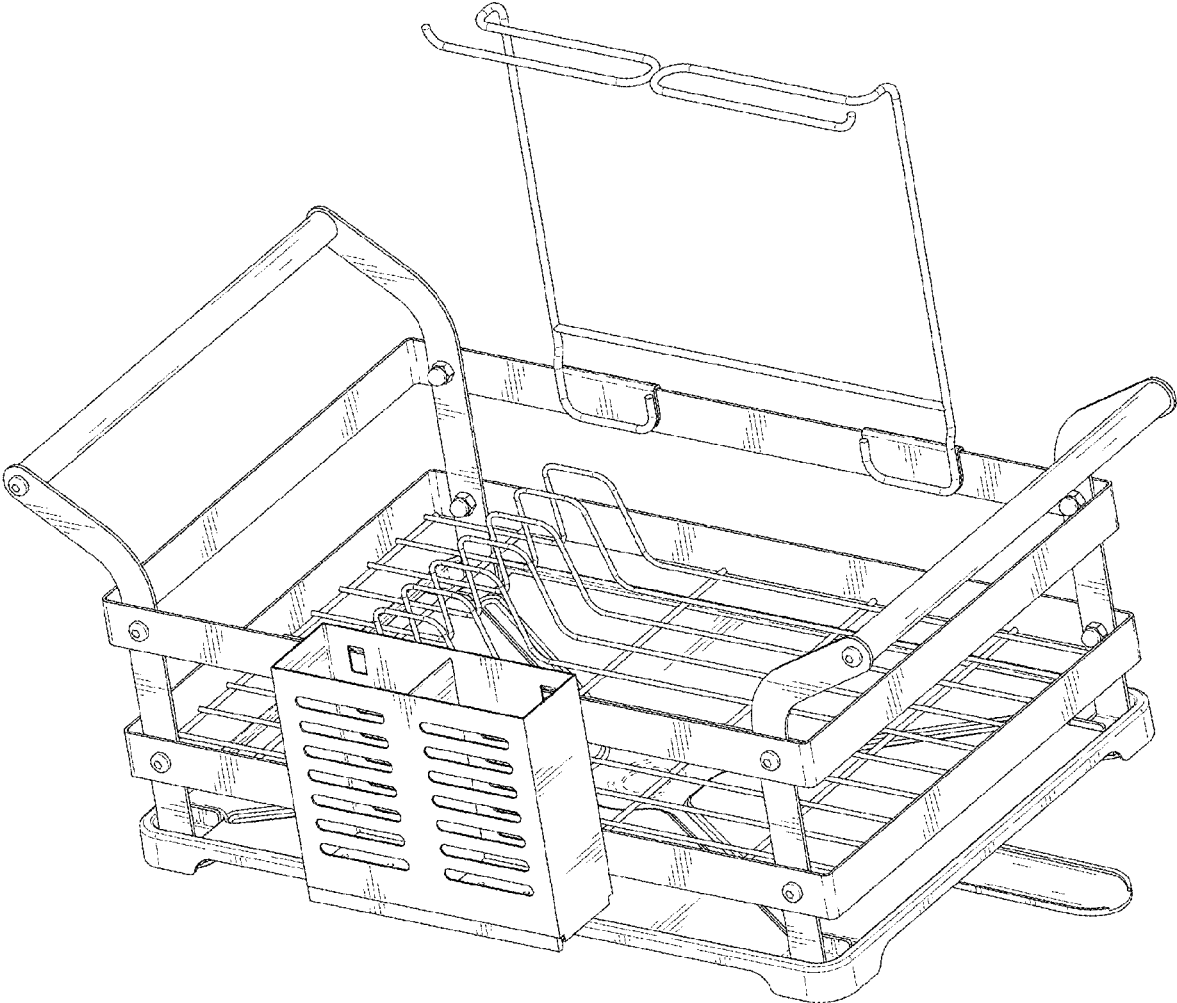


FIG. 1

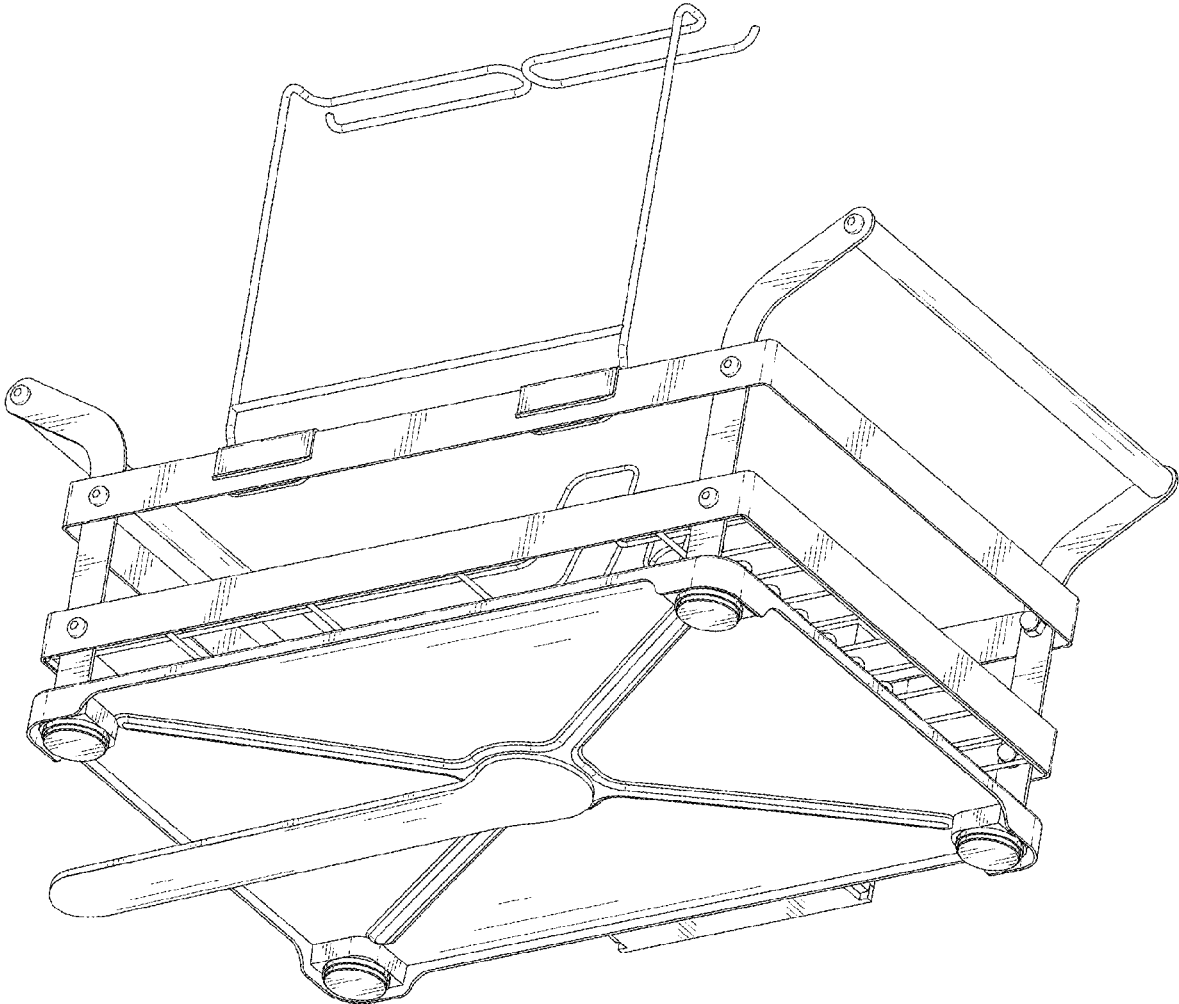


FIG. 2

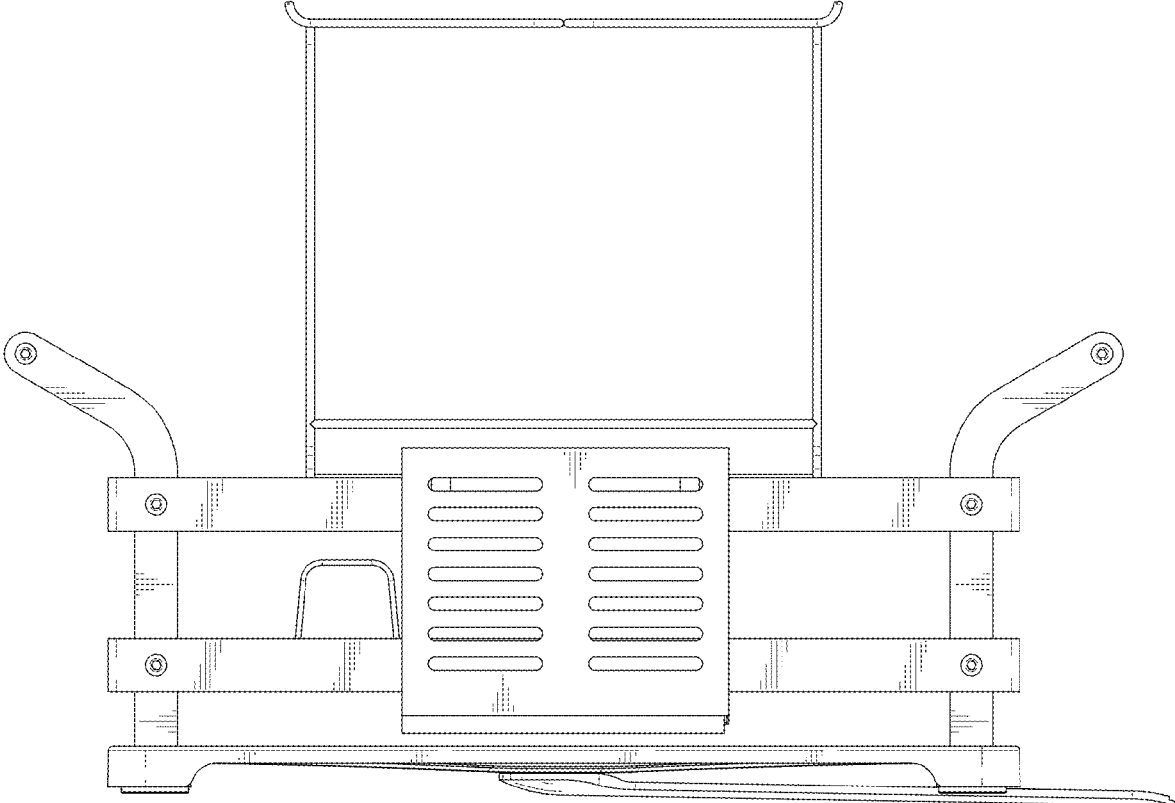


FIG. 3

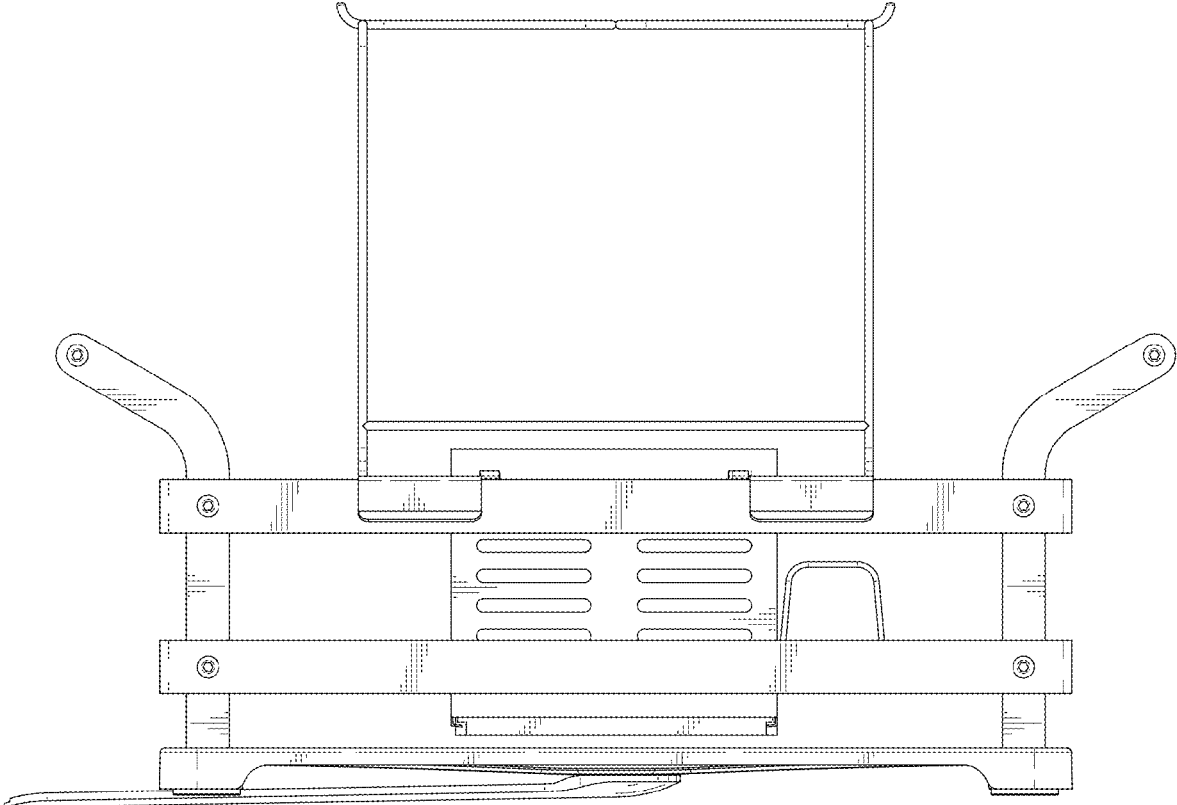


FIG. 4

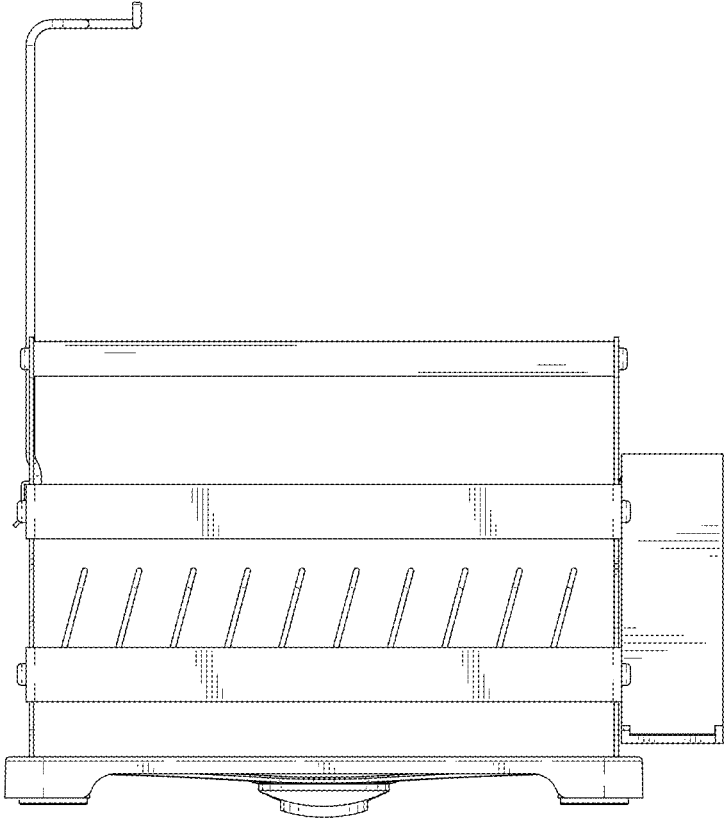


FIG. 5

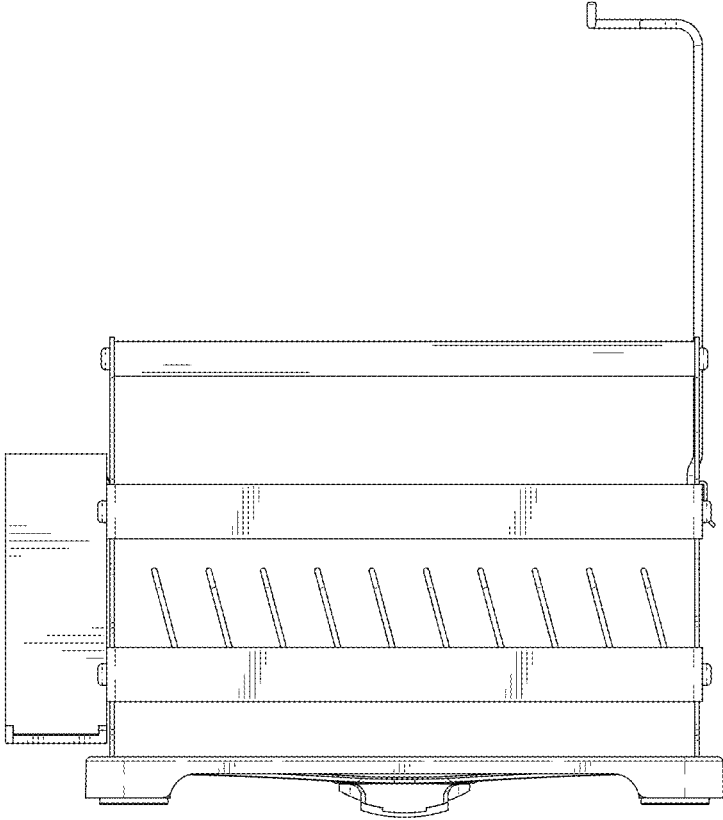


FIG. 6

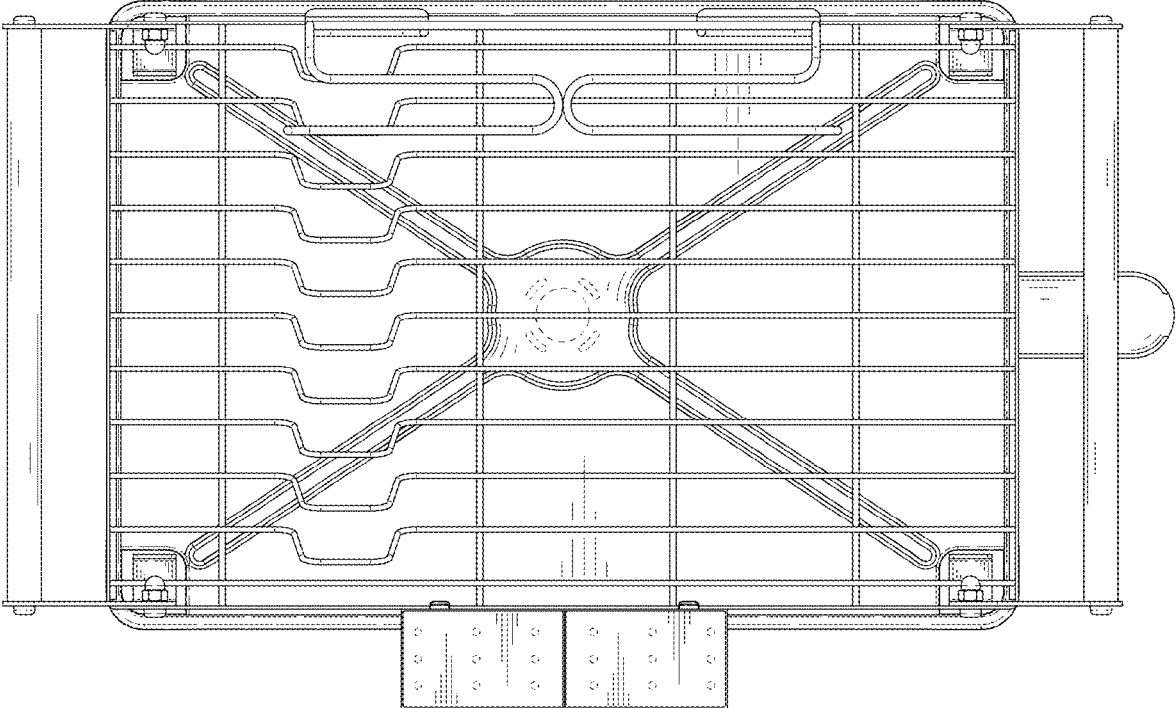


FIG. 7

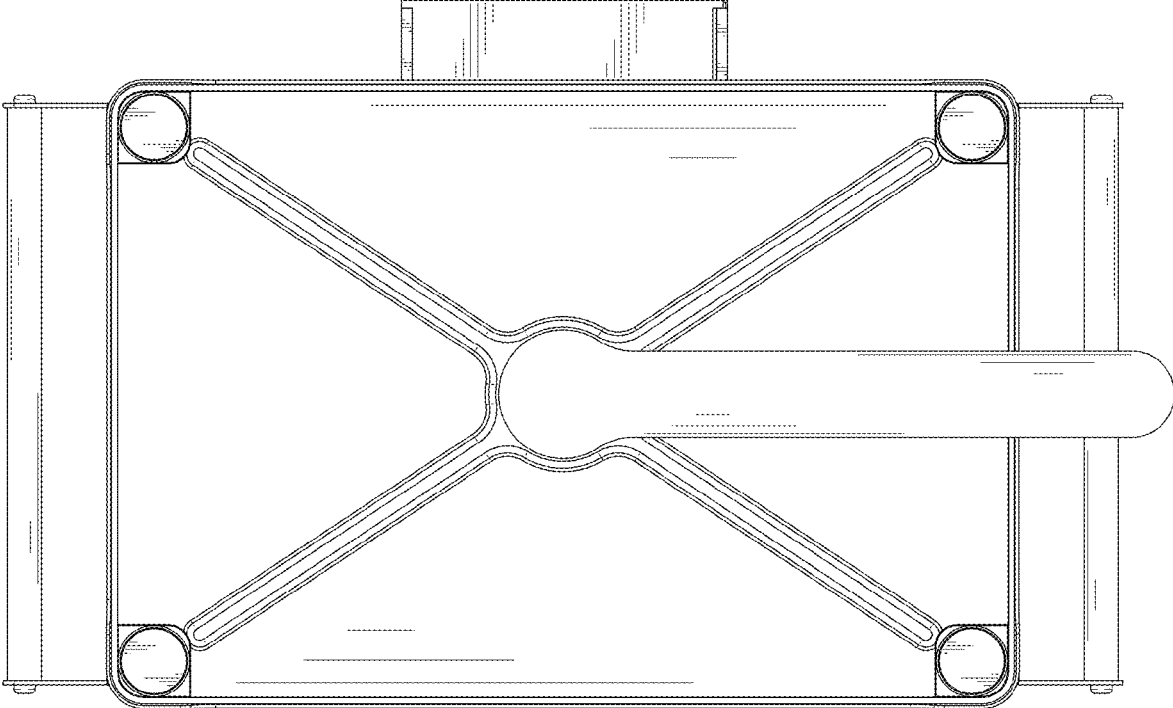


FIG. 8