

(19) World Intellectual Property
Organization
International Bureau



(43) International Publication Date
8 April 2004 (08.04.2004)

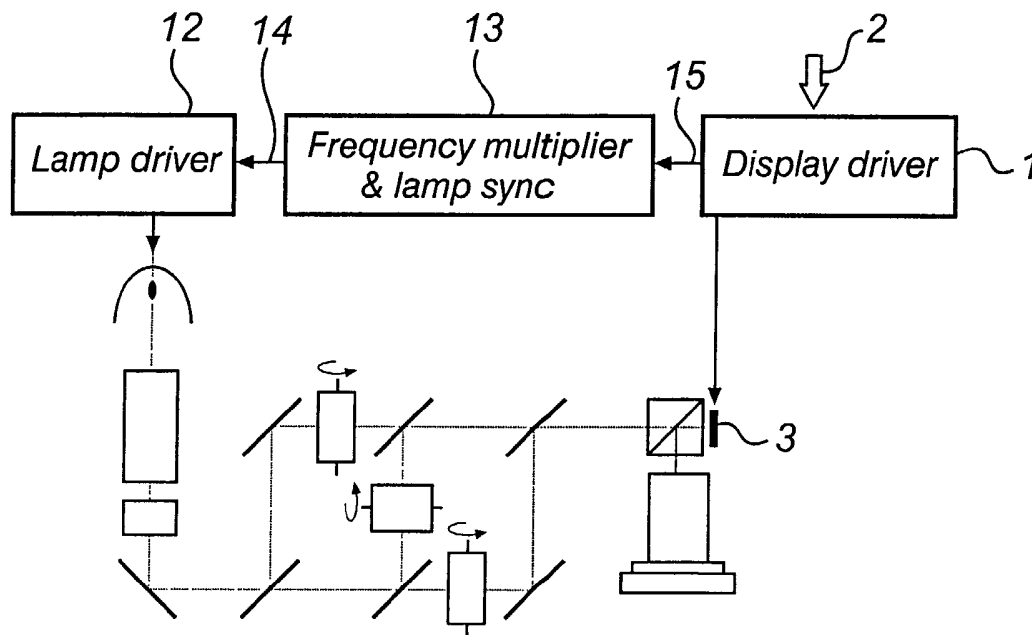
PCT

(10) International Publication Number
WO 2004/030371 A1

- (51) International Patent Classification⁷: **H04N 9/31**
 - (21) International Application Number: PCT/IB2003/003564
 - (22) International Filing Date: 8 August 2003 (08.08.2003)
 - (25) Filing Language: English
 - (26) Publication Language: English
 - (30) Priority Data: 02078973.1 25 September 2002 (25.09.2002) EP
 - (71) Applicant (for all designated States except US): **KONINKLIJKE PHILIPS ELECTRONICS N.V.** [NL/NL]; Groenewoudseweg 1, NL-5621 BA Eindhoven (NL).
 - (72) Inventor; and
 - (75) Inventor/Applicant (for US only): **VANLIER, Gerardus, J., J.** [NL/NL]; c/o Prof. Holstlaan 6, NL-5656 AA Eindhoven (NL).
 - (74) Agent: **VAN DEN HOOVEN, Jan**; Philips Intellectual Property & Standards, Prof. Holstlaan 6, NL-5656 AA Eindhoven (NL).
 - (81) Designated States (national): AE, AG, AL, AM, AT, AU, AZ, BA, BB, BG, BR, BY, BZ, CA, CH, CN, CO, CR, CU, CZ, DE, DK, DM, DZ, EC, EE, ES, FI, GB, GD, GE, GH, GM, HR, HU, ID, IL, IN, IS, JP, KE, KG, KP, KR, KZ, LC, LK, LR, LS, LT, LU, LV, MA, MD, MG, MK, MN, MW, MX, MZ, NI, NO, NZ, OM, PG, PH, PL, PT, RO, RU, SC, SD, SE, SG, SK, SL, SY, TJ, TM, TN, TR, TT, TZ, UA, UG, US, UZ, VC, VN, YU, ZA, ZM, ZW.
 - (84) Designated States (regional): ARIPO patent (GH, GM, KE, LS, MW, MZ, SD, SL, SZ, TZ, UG, ZM, ZW), Eurasian patent (AM, AZ, BY, KG, KZ, MD, RU, TJ, TM), European patent (AT, BE, BG, CH, CY, CZ, DE, DK, EE, ES, FI, FR, GB, GR, HU, IE, IT, LU, MC, NL, PT, RO, SE, SI, SK, TR), OAPI patent (BF, BJ, CF, CG, CI, CM, GA, GN, GQ, GW, ML, MR, NE, SN, TD, TG).
- Published:
— with international search report

[Continued on next page]

(54) Title: SCROLLING COLOR PROJECTION SYSTEM WITH LAMP SYNCHRONIZATION



(57) Abstract: A scrolling color projection system, comprising a pulsed lamp (4) and a color scanner (6, 8a, 8b, 8c, 9) for generating a light beam (5b) with a plurality of scrolling color fields, arranged to illuminate a display device (1, 3) to produce a projection of an image generated by the display device, wherein the frequency of the lamp is controlled so as to be related to the frame rate of the display device. By controlling the lamp frequency in relation to the frame rate, a generated interference pattern can be controlled to be distributed over several frame periods and over the entire height of the display. In particular, the pattern can be controlled in such a way that it is not perceptible to the human eye.

WO 2004/030371 A1



For two-letter codes and other abbreviations, refer to the "Guidance Notes on Codes and Abbreviations" appearing at the beginning of each regular issue of the PCT Gazette.

Scrolling color projection system with lamp synchronization

The present invention relates to a scrolling color projection system comprising a pulsed lamp and a color scanner for generating a light beam with a plurality of scrolling color fields, arranged to illuminate a display device to produce a projection of an image generated by the display device. The invention also relates to a method of driving such a system.

5

Such projection systems are particular in that light from a light source is divided into a plurality of beams, which are sequentially scrolled over a display device, e.g. a reflective LCD, and then projected by means of a lens. Normally, the three beams (R, G, B) are arranged to form three horizontal bars with a total height which is large enough to cover the reflective display. The bars are scrolled, e.g. from top to bottom, and are synchronized with the display so that they complete a scrolling sequence within one picture frame.

10

In such projector systems, it is advantageous to use a light source, e.g. a UHP (ultra high performance) lamp from Philips, having a superposed current pulse to stabilize the arc position. In a scrolling color type of projection system, such a current pulse may interfere with the color scanner and result in visible interference patterns in the projected image. In principle, the pulse acts as a stroboscope, highlighting a momentary image of the scanner, and may make interference patterns in the form of color bars or the intermediate fields (spokes) visible on the screen. If the pulse frequency is a sub-frequency of the frame rate, the interference pattern will be fixed, and if the lamp frequency is out of phase with the frame rate, the bars will roll across the screen.

15

20

25

An object of the present invention is to mitigate the above problem, and reduce image interference in a scrolling projector system.

These and other objects are achieved with a projector and a method of the type mentioned in the opening paragraph, wherein the lamp frequency is controlled so as to be related to the frame rate of the display device.

According to the invention, the above-mentioned interference patterns are reduced or eliminated by controlling the lamp frequency depending on the frame rate. Extra optical components, which cause light loss, are not necessary.

By controlling the lamp frequency in relation to the frame rate, a generated
5 interference pattern can be controlled to be distributed over several frame periods and over the entire height of the display. In particular, the pattern can be controlled in such a way that it is not perceptible to the human eye.

According to a preferred embodiment, the lamp frequency is controlled so that
10 the resulting lamp pulse frequency is an average of two consecutive scanner sub-harmonic frequencies causing visible interference patterns in the image. The lamp pulse frequency is the frequency of the lamp stabilization pulses of the light flux, typically, but not necessarily, twice the lamp frequency. A scanner sub-harmonic frequency is a frequency which is a sub-harmonic of either the frame rate itself, or the rate of intermediate fields between color bars (spokes), which is three times the frame rate in a three color system, e.g. R, G, B.

15 By such a selection of the lamp frequency, the resulting interface pattern is average over time and space, making it imperceptible to the human eye.

The lamp frequency can be controlled by obtaining a frame synchronization pulse signal from the display driver, multiplying this synchronization signal by a factor to obtain a lamp frequency control signal, and controlling the lamp frequency in accordance
20 with this control signal. This provides a simple implementation of the invention, requiring only a frequency multiplier and a lamp driver of which the lamp frequency can be controlled.

The multiplier factor is preferably defined as

$$k = (3/4) * (1/n + 1/m),$$

where n is the number of a first scanner sub-harmonic frequency, and m is the number of a
25 second scanner sub-harmonic frequency (n and m are not necessarily integers).

Such a factor results in a lamp pulse frequency which is an average of two scanner sub-harmonic frequencies, as defined above. Note that the relationship is based upon the fact that the frequency of the pulse is twice that of the lamp, and that there are three separate fields in the scanning beam.

30 The numbers n and m can preferably be chosen as numbers of consecutive sub-harmonics causing visible interference patterns in the image.

These and other aspects of the invention will be apparent from the preferred embodiments more clearly described with reference to the appended drawings.

Fig. 1 is a schematic view of a scrolling color projection system according to the prior art.

5 Fig. 2 shows a scanner output of the projection system in Fig. 1.

Fig. 3 is a diagram of a current waveform for a UHP lamp with pulsed arc stabilisation.

Fig. 4 is a diagram of a lamp flux output corresponding to the current in Fig. 3.

10 Fig. 5 is a schematic view of a scrolling color projection system according to an embodiment of the invention.

Fig. 6 shows scanner positions corresponding to pulses in light flux.

Fig. 7 shows the three colors in Fig. 6, each represented separately.

15 A projection system with scrolling color scanning according to the prior art, also referred to as a Scrolling Color Sequential (SCS) system, is illustrated in Fig. 1. The system comprises a display driver 1, arranged to receive a data or video input stream 2, from e.g. a personal computer or a video cassette recorder (not shown), and to drive a display device 3, such as a reflective LCD. A light source 4, preferably a UHP lamp followed by an integrator, is controlled by a lamp driver 12 to generate a light beam 5a, which passes
20 through a color scanner (6, 8a, 8b, 8c, 9). The color scanner converts the light beam 5a from the lamp 4 into a beam 5b having a plurality of differently colored fields, typically three color bars (R, G, B), continuously scrolling from top to bottom (see Fig. 2).

In the example illustrated in Fig. 1, a first set of mirrors 6 divides the beam 5a
25 into three beams 7a, 7b, 7c. These beams are guided through three scanning prisms 8a, 8b, 8c (red, green and blue), and a second set of mirrors 9 recombines the beams into one beam 5b, as described above. The mirrors 6, 9 and the prisms 8a, 8b, 8c together form the color scanner.

The beam 5b with scrolling color bars 23 is directed onto the display device 3,
30 and an image generated by the display device 3 is reflected back into a polarizing beam splitter (PBS) 10. The PBS 10 directs the reflected image to a projection lens 11, for projection on a suitable screen (not shown).

The scanning performed by the color scanner 8a, 8b, 8c is synchronized with the frame rate of the video data 2, so that the color bars 23 of the beam 5b complete a

scrolling sequence (return to original position) in one frame period T_F . This is illustrated in Fig. 2.

The diagram in Fig. 3 shows a typical current waveform 20 with period T_L in the UHP lamp 4, including a pulse 21 to stabilize the arc position. The diagram in Fig. 4 shows the corresponding lamp flux 22 from the projection lamp 4, which is essentially the rectified waveform 20 in Fig. 3. As is clear from Fig. 4, the lamp flux 22 comprises a DC flux with a superimposed AC light flux, resulting from the stabilizing pulse 21. As a consequence from the rectification, the period T_{AC} of the AC component is only half of T_L , i.e. the pulse frequency is twice the lamp frequency.

As mentioned above, the AC light flux resulting from the stabilization pulse acts as a fictitious light source, and causes a stroboscopic effect on the color scanner 8a, 8b, 8c. When the frequency of this AC component of the light flux (referred to as the pulse frequency) is a sub-harmonic of the display frame rate frequency, the color bars 23 can be 'captured' by the stroboscopic effect, resulting in visible color bars in the projected image. When lamp frequency and frame rate frequency are locked, the visible bars are fixed in one position. If they are not locked (i.e. asynchronous), the visible bars will be scrolling over the screen because lamp and scanner are asynchronous. The phase between lamp frequency and frame rate frequency determines the position of the color bars on the screen.

Because there is, in practice, an overlap or a distance 24 between adjacent color bars of the scanner, additional interference patterns may be visible. These 'spokes' 24 of the scanner will be visible when the pulse frequency is a sub-harmonic of these 'spokes'. As the spoke frequency is three times the frame rate (in the illustrated case with three colors), this will occur even more often.

The following table includes a number of sub-harmonics that can be distinguished in case the color bars are equal in width. Of course, in principle, there is an infinite number of sub-harmonics, but the table only includes those that result in the most visible interference patterns. Display frame rate frequency is assumed to be 180 Hz (i.e. spoke frequency is 540 Hz), and scanning is performed with linear scan velocity:

Table 1 Scanner sub-harmonics.

Lamp frequency	Lamp pulse frequency	Sub-harmonic of frame rate freq.	Sub-harmonic of spoke frequency
270.0	540.0		1
180.0	360.0		1.5
135.0	270.0		2
90.0	180.0	1	3
67.5	135.0		4
60.0	120.0		4.5
54.0	108.0		5
45.0	90.0	2	6
38.6	77.1		7
36.0	72.0		7.5
33.8	67.5		8
30.0	60.0	3	9
27.0	54.0		10
25.7	51.4		10.5
24.5	49.1		11
22.5	45.0	4	12
20.8	41.5		13
20.0	40.0		13.5
19.3	38.6		14
18.0	36.0	5	15

For the lamp frequencies causing a pulse frequency which is a sub-harmonic of the frame rate, fixed color bars will be visible on the screen. For spoke frequency sub-harmonics, spokes will be visible on the screen. All these frequencies are here referred to as scanner sub-harmonic frequencies.

As mentioned above, Table 1 includes the lamp frequencies resulting in the most visible interference patterns. With different frame rate, number of spokes, distance between spokes, etc, these lamp frequencies can be different. Such a selection of lamp frequencies, resulting in noticeable interference patterns, can be utilized when optimizing a synchronization according to the invention. This will be described below, with reference to Table 1 as an example of such a selection.

According to the present invention, such interference patterns can be reduced or alleviated by correlating the lamp frequency with the frame rate. This can be accomplished by introducing a synchronizer 13 between the lamp driver 12 and the display driver 1, as is illustrated in Fig. 5. The synchronizer 13 is adapted to receive a synchronization pulse signal 15 from the display driver 1, and generate a lamp frequency control signal 14 by multiplying this signal 15 by a factor k . The lamp driver 12 is adapted to receive this control signal 14, and to control the lamp frequency f_{lamp} in accordance with this control signal 14. As a

consequence, the lamp frequency is controlled depending on the frame rate, and also synchronized with the frame rate.

In the following description, the lamp frequency f_{lamp} is controlled to be a fixed ratio of the frame rate f_{frame} , but this is not a limitation of the present invention, as more complex, dynamic or adaptive, relationships are envisageable.

The factor k can preferably be an average of two consecutive sub-harmonic frequencies, from the first column in Table 1. For a linear scan velocity, this can be expressed as:

$$f_{\text{lamp}} = (1/2) * (f_n + f_m), \quad (1)$$

where f_n equals a first scanner sub-harmonic lamp frequency and f_m the next consecutive scanner sub-harmonic lamp frequency according to a selection such as Table 1. It is clear from the above that in the present example, a particular lamp frequency f_{lamp} causes a sub-harmonic interference pattern if

$$f_{\text{pulse}} = 2 * f_{\text{lamp}} = (1/n) * f_{\text{spoke}} = (1/n) * 3 * f_{\text{frame}},$$

where f_{pulse} is the frequency of the stabilization pulse of the lamp, f_{spoke} is the frequency of the spokes between the scrolling color bars, and n is the number of the sub-harmonic (note that n is not necessarily an integer, as is clear from Table 1).

This leads to the following expression for f_n :

$$f_n = (3/2) * (1/n) * f_{\text{frame}}. \quad (2)$$

By substituting equation 2 into equation 1, a relationship now can be defined between the desired lamp frequency and the frame rate frequency:

$$f_{\text{lamp}} = f_{\text{frame}} * (3/4) * (1/n + 1/m), \quad (3)$$

where n is the number of a first scanner sub-harmonic lamp frequency, and m is the number of the next consecutive scanner sub-harmonic lamp frequency in a selection such as Table 1. Note again that n and m are not necessarily integers.

The ratio $f_{\text{lamp}}/f_{\text{frame}}$ can be implemented as the multiplier factor (k) of the synchronizer 12.

Note that Eq.3 is true only if the pulse frequency f_{pulse} is double the lamp frequency f_{lamp} , and the spoke frequency f_{spoke} is three times the frame rate f_{frame} . For other cases, Eq.2 will have to read differently, and Eq.3 will be altered accordingly. If, for example, the pulse frequency is equal to the lamp frequency, the factor k should be multiplied by a factor of two.

To illustrate the effect of such a lamp control, Fig. 6 shows the scanner position whenever a pulse in the light flux occurs. In the illustrated example, the lamp frequency is an average of the 2nd and 3rd sub-frequencies, i.e. a multiplier factor, k, equal to 5/8. Again, equal color bars are assumed. The Figure discloses a periodicity of five scanner positions, marked in the Figure as T_p . The duration of T_p is five pulses, that is five periods of the light flux 22, or 5/2 periods of the lamp current 20. This in turn equals $(5/2)/(5/8) = 4$ frames.

In Fig. 7, the five scanner positions during the period T_p are illustrated for each color separately. It can be seen that, within the five scanner positions, the individual colors R, G and B can fill the complete scan width h. Through this distribution, the error in light amplitude (caused by the light pulse) is spread across the total height h and the 4 frame time periods.

In order to achieve satisfactory results, the total period of the scanner positions should be sufficiently long, and the distribution over the height h should be sufficiently even, in order to avoid perceived flickering by the human eye. This can be adjusted with the multiplier factor, given frame rate frequency and allowable lamp frequency.

It is clear that the detailed description above is related to a specific embodiment of the invention, influenced by the details of the illustrated scrolling projection system. As has been pointed out above, changes in the system design parameters, such as relationships between frequencies, may require adjustments of the above expressions. Such modifications performed by the skilled person are considered to be covered by the inventive concept defined by the appended claims.

CLAIMS:

1. A scrolling color projection system, comprising a pulsed lamp (4) and a color scanner (6, 8a, 8b, 8c, 9) for generating a light beam (5b) with a plurality of scrolling color fields, arranged to illuminate a display device (1, 3) to produce a projection of an image generated by the display device, characterized in that the frequency (f_{lamp}) of the lamp is controlled so as to be related to the frame rate (f_{frame}) of the display device (1, 3).
2. A projection system as claimed in claim 1, wherein said lamp frequency (f_{lamp}) is controlled so that the resulting lamp pulse frequency is an average of two consecutive scanner sub-harmonic frequencies causing visible interference patterns in the image.
3. A projection system as claimed in claim 1 or 2, further comprising a frequency multiplier (13), connected to a synchronization pulse signal (15) of said display panel (1, 3), and arranged to multiply said synchronization pulse signal (15) with a factor (k) so as to generate a lamp frequency control signal (14).
4. A projection system as claimed in claim 3, further comprising a lamp driver (13), connected to said lamp frequency control signal (14), and arranged to control the lamp frequency (f_{lamp}) in accordance with said control signal (14).
5. A method of operating a scrolling color projection system, comprising a pulsed lamp and a color scanner for generating a light beam with scrolling color fields, arranged to illuminate a display device (1, 3) to produce a projection of an image generated by the display device (1, 3), characterized by controlling the frequency (f_{lamp}) of the lamp so as to be related to the frame rate (f_{frame}) of the display device (1, 3).
6. A projection system as claimed in claim 5, wherein said lamp frequency (f_{lamp}) is controlled so that the resulting lamp pulse frequency is an average of two consecutive scanner sub-harmonic frequencies causing visible interference patterns in the image.

7. A method as claimed in claim 5 or 6, wherein the step of controlling the lamp frequency includes:

obtaining a frame synchronization pulse signal (15),

5 multiplying said synchronization signal (15) by a factor (k), to obtain a lamp frequency control signal (14), and

controlling the lamp frequency (f_{lamp}) in accordance with said control signal (14).

8. A method as claimed in claim 7, wherein said factor (k) is defined as:

10 $k = (3/4) * (1/n + 1/m)$,

where n is the number of a first scanner sub-harmonic frequency, and m is the number of a second scanner sub-harmonic frequency, n and m not necessarily being integers.

9. A projection system as claimed in claim 8, wherein n and m represent

15 consecutive sub-harmonic frequencies as listed in Table 1.

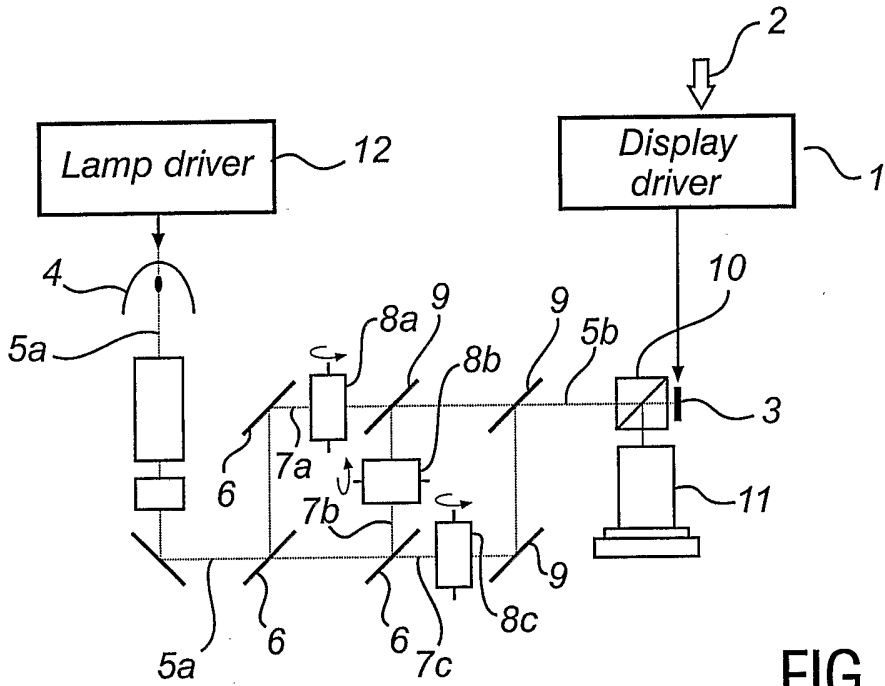


FIG. 1

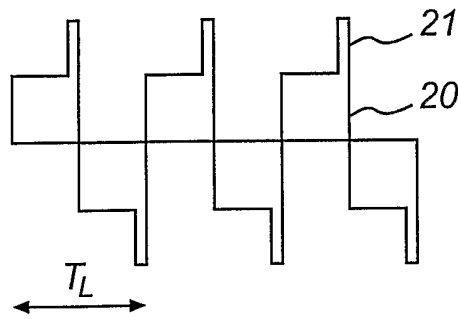


FIG. 3

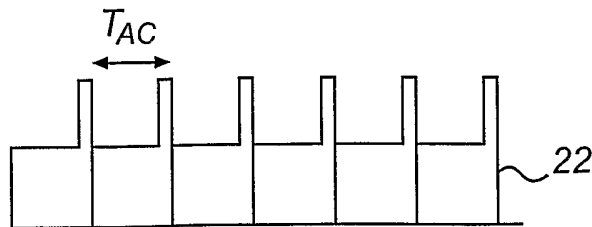


FIG. 4

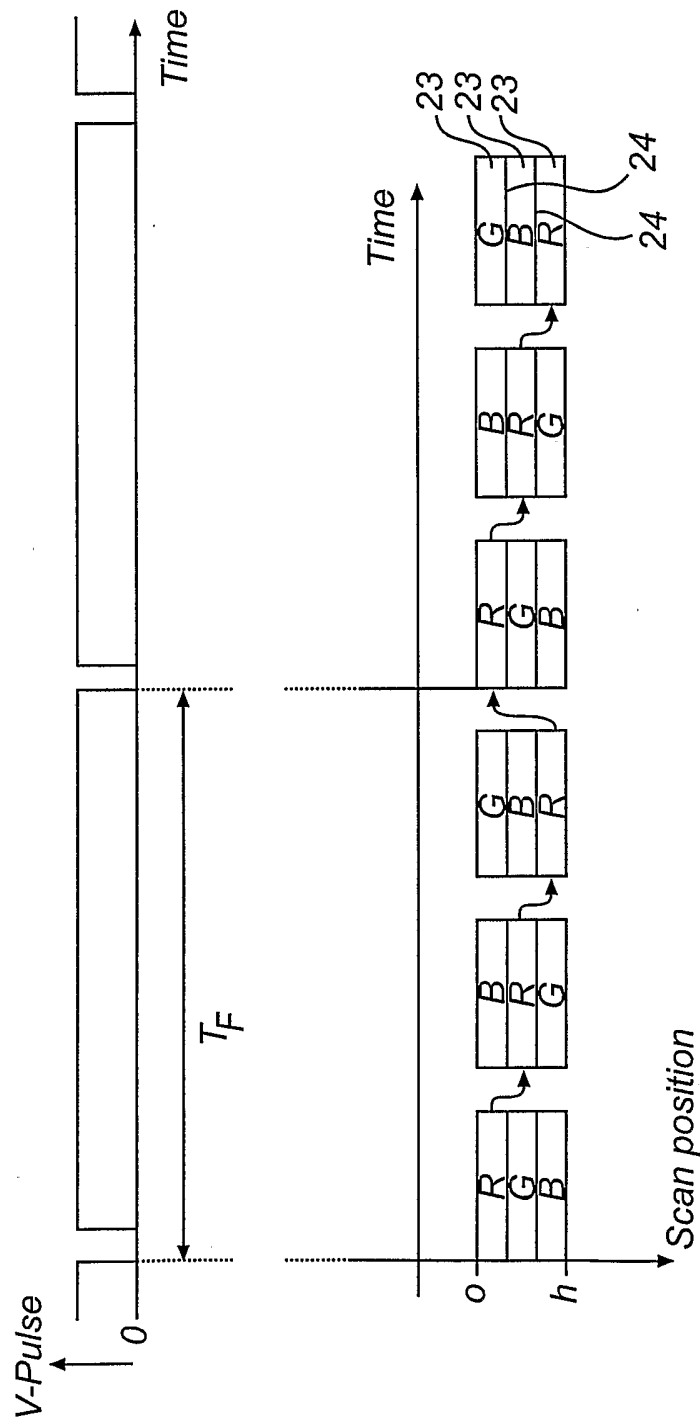


FIG.2

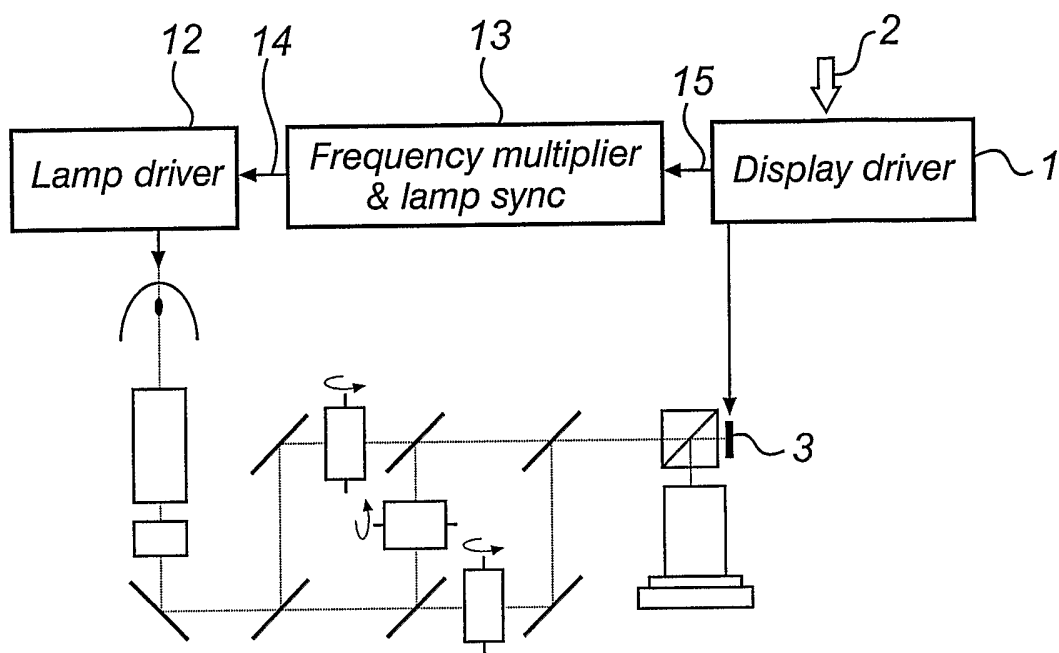


FIG.5

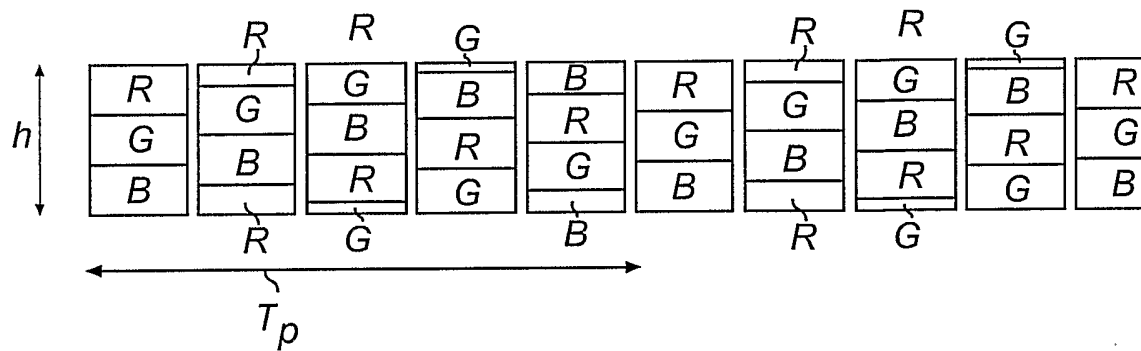


FIG. 6

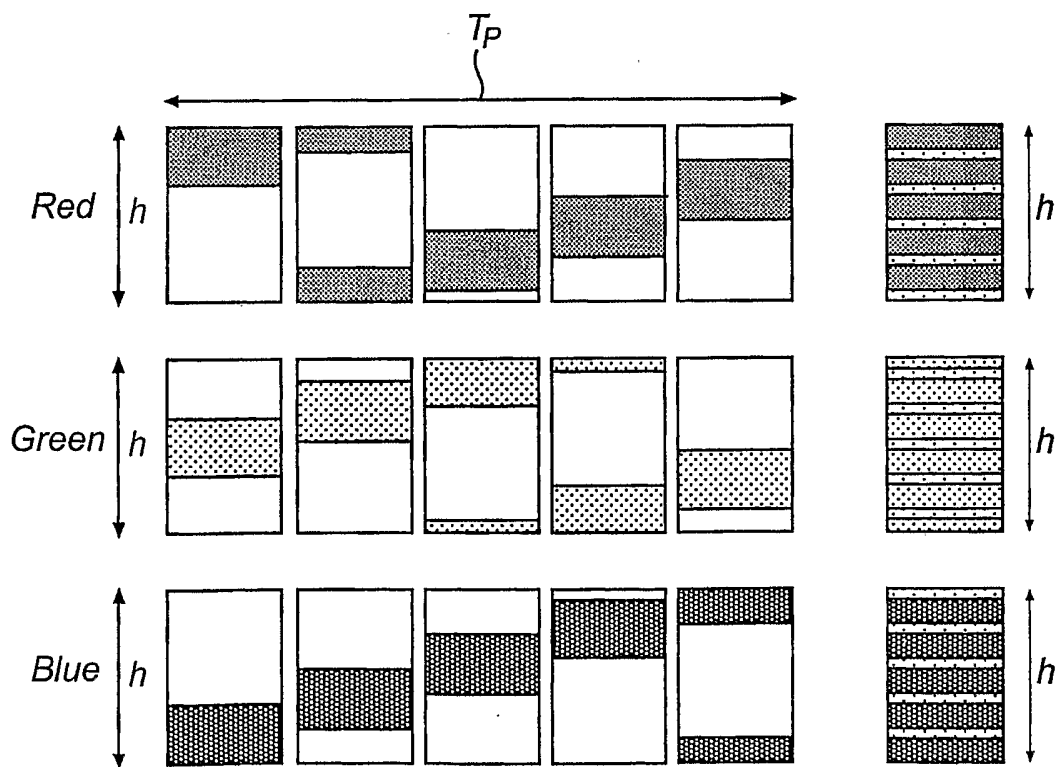


FIG. 7

INTERNATIONAL SEARCH REPORT

PCT/IB 03/03564

A. CLASSIFICATION OF SUBJECT MATTER

IPC 7 H04N9/31

According to International Patent Classification (IPC) or to both national classification and IPC

B. FIELDS SEARCHED

Minimum documentation searched (classification system followed by classification symbols)

IPC 7 H04N

Documentation searched other than minimum documentation to the extent that such documents are included in the fields searched

Electronic data base consulted during the international search (name of data base and, where practical, search terms used)

EPO-Internal, WPI Data, PAJ

C. DOCUMENTS CONSIDERED TO BE RELEVANT

Category °	Citation of document, with indication, where appropriate, of the relevant passages	Relevant to claim No.
X	US 2001/022692 A1 (SMITS WILLEM HENDRIK ET AL) 20 September 2001 (2001-09-20) paragraph '0027!, sentence 1; figure 1 ---	1,3,5,7
X	US 5 706 061 A (HUANG AUSTIN L ET AL) 6 January 1998 (1998-01-06) abstract; figure 1 ---	1,3,5,7
A	US 6 361 172 B1 (BRENNESHOLTZ MATTHEW) 26 March 2002 (2002-03-26) column 1, line 29 - line 50 column 3, line 56 - line 60 ---	1
A	US 5 548 347 A (JANSSEN PETER J ET AL) 20 August 1996 (1996-08-20) -----	

 Further documents are listed in the continuation of box C.

 Patent family members are listed in annex.

° Special categories of cited documents:

- *A* document defining the general state of the art which is not considered to be of particular relevance
- *E* earlier document but published on or after the international filing date
- *L* document which may throw doubts on priority claim(s) or which is cited to establish the publication date of another citation or other special reason (as specified)
- *O* document referring to an oral disclosure, use, exhibition or other means
- *P* document published prior to the international filing date but later than the priority date claimed

- *T* later document published after the international filing date or priority date and not in conflict with the application but cited to understand the principle or theory underlying the invention
- *X* document of particular relevance; the claimed invention cannot be considered novel or cannot be considered to involve an inventive step when the document is taken alone
- *Y* document of particular relevance; the claimed invention cannot be considered to involve an inventive step when the document is combined with one or more other such documents, such combination being obvious to a person skilled in the art.
- *Z* document member of the same patent family

Date of the actual completion of the international search

24 November 2003

Date of mailing of the international search report

20/01/2004

Name and mailing address of the ISA

European Patent Office, P.B. 5818 Patentlaan 2
 NL - 2280 HV Rijswijk
 Tel. (+31-70) 340-2040, Tx. 31 651 epo nl,
 Fax: (+31-70) 340-3016

Authorized officer

Montanari, M

INTERNATIONAL SEARCH REPORT

PCT/IB 03/03564

Patent document cited in search report	Publication date	Patent family member(s)	Publication date	
US 2001022692	A1	20-09-2001	WO 0149041 A1	05-07-2001
			EP 1157563 A1	28-11-2001
			JP 2003518643 T	10-06-2003
			TW 519832 B	01-02-2003
US 5706061	A	06-01-1998	NONE	
US 6361172	B1	26-03-2002	WO 0172047 A1	27-09-2001
			EP 1183876 A1	06-03-2002
			JP 2003529095 T	30-09-2003
			TW 518894 B	21-01-2003
US 5548347	A	20-08-1996	US 5410370 A	25-04-1995
			DE 69519220 D1	30-11-2000
			DE 69519220 T2	17-05-2001
			EP 0720802 A1	10-07-1996
			WO 9603842 A1	08-02-1996
			JP 3280984 B2	13-05-2002
			JP 9512648 T	16-12-1997
			US 5528318 A	18-06-1996
			DE 69324551 D1	27-05-1999
			DE 69324551 T2	21-10-1999
			EP 0601666 A1	15-06-1994
			JP 3278270 B2	30-04-2002
			JP 6319148 A	15-11-1994
			US 5532763 A	02-07-1996
			US 5508738 A	16-04-1996
			US 5608467 A	04-03-1997
			US 5416514 A	16-05-1995
			CN 1062819 A ,B	15-07-1992
			DE 69125125 D1	17-04-1997
			DE 69125125 T2	21-08-1997
EP 0492721 A2	01-07-1992			
JP 3352100 B2	03-12-2002			
JP 4316296 A	06-11-1992			
KR 223724 B1	15-10-1999			