

(19) World Intellectual Property Organization
International Bureau



(43) International Publication Date
5 October 2006 (05.10.2006)

PCT

(10) International Publication Number
WO 2006/103566 A3

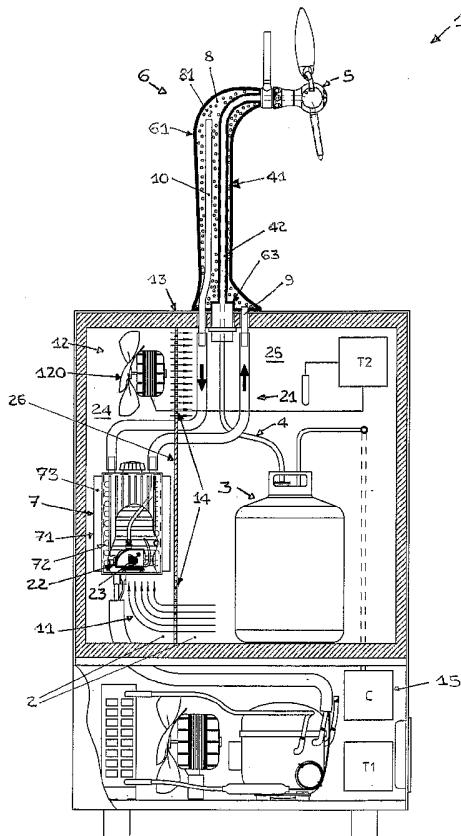
- (51) International Patent Classification:
B67D 1/08 (2006.01) B67D 1/14 (2006.01)
- (21) International Application Number:
PCT/IB2006/001123
- (22) International Filing Date: 16 March 2006 (16.03.2006)
- (25) Filing Language: Italian
- (26) Publication Language: English
- (30) Priority Data:
RN2005A000022 31 March 2005 (31.03.2005) IT
- (71) Applicant (for all designated States except US): **CELLI S.p.A.** [IT/IT]; Via Rovereta, 34, I-47852 Coriano (IT).
- (72) Inventor; and
- (75) Inventor/Applicant (for US only): **CELLI, Goffredo** [IT/IT]; Via Leopardi, 17, Fraz. Cerasolo Ausa, I-47852 Coriano (IT).
- (74) Agent: **PAOLIZZI, Marco**; Bugnion S.p.A., Via A. Valentini, 11/15, I-47900 Rimini (IT).

- (81) Designated States (unless otherwise indicated, for every kind of national protection available): AE, AG, AL, AM, AT, AU, AZ, BA, BB, BG, BR, BW, BY, BZ, CA, CH, CN, CO, CR, CU, CZ, DE, DK, DM, DZ, EC, EE, EG, ES, FI, GB, GD, GE, GH, GM, HR, HU, ID, IL, IN, IS, JP, KE, KG, KM, KN, KP, KR, KZ, LC, LK, LR, LS, LT, LU, LV, LY, MA, MD, MG, MK, MN, MW, MX, MZ, NA, NG, NI, NO, NZ, OM, PG, PH, PL, PT, RO, RU, SC, SD, SE, SG, SK, SL, SM, SY, TJ, TM, TN, TR, TT, TZ, UA, UG, US, UZ, VC, VN, YU, ZA, ZM, ZW.
- (84) Designated States (unless otherwise indicated, for every kind of regional protection available): ARIPO (BW, GH, GM, KE, LS, MW, MZ, NA, SD, SL, SZ, TZ, UG, ZM, ZW), Eurasian (AM, AZ, BY, KG, KZ, MD, RU, TJ, TM), European (AT, BE, BG, CH, CY, CZ, DE, DK, EE, ES, FI, FR, GB, GR, HU, IE, IS, IT, LT, LU, LV, MC, NL, PL, PT, RO, SE, SI, SK, TR), OAPI (BF, BJ, CF, CG, CI, CM, GA, GN, GQ, GW, ML, MR, NE, SN, TD, TG).

Published:
— with international search report

[Continued on next page]

(54) Title: DEVICE FOR DISPENSING LIQUIDS



(57) Abstract: Described is a beverage dispensing device (1) of the type comprising a cooled storage compartment (2) and a beverage dispensing line (4). The compartment (2) is cooled at least by a first cooling medium and houses at least one beverage container (3). The dispensing line (4) extends from the beverage container (3) to a tap (5) located on a dispensing head (6). The device (1) characteristically comprises at least one first cooling circuit (11) that uses first movement means (12) to circulate the first cooling medium and one second cooling circuit (21) that uses second movement means (22) to circulate a second cooling medium that is in thermal contact with the beverage dispensing line (4). The first and second cooling mediums are fluid dynamically isolated from each other and the two cooling circuits (11/21) exchange heat with a single cooling element (7).

WO 2006/103566 A3



(88) Date of publication of the international search report:

18 January 2007

For two-letter codes and other abbreviations, refer to the "Guidance Notes on Codes and Abbreviations" appearing at the beginning of each regular issue of the PCT Gazette.

INTERNATIONAL SEARCH REPORT

International application No
PCT/IB2006/001123

| <p>A. CLASSIFICATION OF SUBJECT MATTER INV. B67D1/08 ADD. B67D1/14</p> <p>According to International Patent Classification (IPC) or to both national classification and IPC</p> | | | | | | | | | | | | | | | | | | | | |
|---|--|---|--|--|-----------------------|---|--|------------------|---|---|------|---|--|----|---|---|--|--|------|--|
| <p>B. FIELDS SEARCHED</p> <p>Minimum documentation searched (classification system followed by classification symbols) B67D</p> <p>Documentation searched other than minimum documentation to the extent that such documents are included in the fields searched</p> <p>Electronic data base consulted during the international search (name of data base and, where practical, search terms used) EPO-Internal</p> | | | | | | | | | | | | | | | | | | | | |
| <p>C. DOCUMENTS CONSIDERED TO BE RELEVANT</p> <table border="1"> <thead> <tr> <th>Category*</th> <th>Citation of document, with indication, where appropriate, of the relevant passages</th> <th>Relevant to claim No.</th> </tr> </thead> <tbody> <tr> <td>X</td> <td>US 2 771 752 A (TENNANT EDWARD E) 27 November 1956 (1956-11-27) column 1, line 58 - column 2, line 71; figure 1</td> <td>1-3, 5, 21-24</td> </tr> <tr> <td>X</td> <td>US 2 485 610 A (KROMER WALLACE R) 25 October 1949 (1949-10-25) column 4, line 5 - column 6, line 40; figures 1-3</td> <td>1, 9</td> </tr> <tr> <td>A</td> <td>US 2004/011828 A1 (VAN DER KLAUW GUIDO PETRUS JOHANNES ET AL) 22 January 2004 (2004-01-22) paragraph [0039]; figures 1, 2</td> <td>25</td> </tr> <tr> <td>A</td> <td>US 2003/062386 A1 (DERRY NICK RICHARD ET AL) 3 April 2003 (2003-04-03)</td> <td></td> </tr> <tr> <td></td> <td style="text-align: center;">-/--</td> <td></td> </tr> </tbody> </table> | | | Category* | Citation of document, with indication, where appropriate, of the relevant passages | Relevant to claim No. | X | US 2 771 752 A (TENNANT EDWARD E) 27 November 1956 (1956-11-27) column 1, line 58 - column 2, line 71; figure 1 | 1-3, 5, 21-24 | X | US 2 485 610 A (KROMER WALLACE R) 25 October 1949 (1949-10-25) column 4, line 5 - column 6, line 40; figures 1-3 | 1, 9 | A | US 2004/011828 A1 (VAN DER KLAUW GUIDO PETRUS JOHANNES ET AL) 22 January 2004 (2004-01-22) paragraph [0039]; figures 1, 2 | 25 | A | US 2003/062386 A1 (DERRY NICK RICHARD ET AL) 3 April 2003 (2003-04-03) | | | -/-- | |
| Category* | Citation of document, with indication, where appropriate, of the relevant passages | Relevant to claim No. | | | | | | | | | | | | | | | | | | |
| X | US 2 771 752 A (TENNANT EDWARD E) 27 November 1956 (1956-11-27) column 1, line 58 - column 2, line 71; figure 1 | 1-3, 5, 21-24 | | | | | | | | | | | | | | | | | | |
| X | US 2 485 610 A (KROMER WALLACE R) 25 October 1949 (1949-10-25) column 4, line 5 - column 6, line 40; figures 1-3 | 1, 9 | | | | | | | | | | | | | | | | | | |
| A | US 2004/011828 A1 (VAN DER KLAUW GUIDO PETRUS JOHANNES ET AL) 22 January 2004 (2004-01-22) paragraph [0039]; figures 1, 2 | 25 | | | | | | | | | | | | | | | | | | |
| A | US 2003/062386 A1 (DERRY NICK RICHARD ET AL) 3 April 2003 (2003-04-03) | | | | | | | | | | | | | | | | | | | |
| | -/-- | | | | | | | | | | | | | | | | | | | |
| <p><input checked="" type="checkbox"/> Further documents are listed in the continuation of Box C. <input checked="" type="checkbox"/> See patent family annex.</p> | | | | | | | | | | | | | | | | | | | | |
| <p>* Special categories of cited documents :</p> <table border="0"> <tr> <td style="vertical-align: top;"> <p>*A* document defining the general state of the art which is not considered to be of particular relevance</p> <p>*E* earlier document but published on or after the international filing date</p> <p>*L* document which may throw doubts on priority claim(s) or which is cited to establish the publication date of another citation or other special reason (as specified)</p> <p>*O* document referring to an oral disclosure, use, exhibition or other means</p> <p>*P* document published prior to the international filing date but later than the priority date claimed</p> </td> <td style="vertical-align: top;"> <p>*T* later document published after the international filing date or priority date and not in conflict with the application but cited to understand the principle or theory underlying the invention</p> <p>*X* document of particular relevance; the claimed invention cannot be considered novel or cannot be considered to involve an inventive step when the document is taken alone</p> <p>*Y* document of particular relevance; the claimed invention cannot be considered to involve an inventive step when the document is combined with one or more other such documents, such combination being obvious to a person skilled in the art.</p> <p>*&* document member of the same patent family</p> </td> </tr> </table> | | | <p>*A* document defining the general state of the art which is not considered to be of particular relevance</p> <p>*E* earlier document but published on or after the international filing date</p> <p>*L* document which may throw doubts on priority claim(s) or which is cited to establish the publication date of another citation or other special reason (as specified)</p> <p>*O* document referring to an oral disclosure, use, exhibition or other means</p> <p>*P* document published prior to the international filing date but later than the priority date claimed</p> | <p>*T* later document published after the international filing date or priority date and not in conflict with the application but cited to understand the principle or theory underlying the invention</p> <p>*X* document of particular relevance; the claimed invention cannot be considered novel or cannot be considered to involve an inventive step when the document is taken alone</p> <p>*Y* document of particular relevance; the claimed invention cannot be considered to involve an inventive step when the document is combined with one or more other such documents, such combination being obvious to a person skilled in the art.</p> <p>*&* document member of the same patent family</p> | | | | | | | | | | | | | | | | |
| <p>*A* document defining the general state of the art which is not considered to be of particular relevance</p> <p>*E* earlier document but published on or after the international filing date</p> <p>*L* document which may throw doubts on priority claim(s) or which is cited to establish the publication date of another citation or other special reason (as specified)</p> <p>*O* document referring to an oral disclosure, use, exhibition or other means</p> <p>*P* document published prior to the international filing date but later than the priority date claimed</p> | <p>*T* later document published after the international filing date or priority date and not in conflict with the application but cited to understand the principle or theory underlying the invention</p> <p>*X* document of particular relevance; the claimed invention cannot be considered novel or cannot be considered to involve an inventive step when the document is taken alone</p> <p>*Y* document of particular relevance; the claimed invention cannot be considered to involve an inventive step when the document is combined with one or more other such documents, such combination being obvious to a person skilled in the art.</p> <p>*&* document member of the same patent family</p> | | | | | | | | | | | | | | | | | | | |
| <p>Date of the actual completion of the international search</p> <p style="text-align: center;">28 September 2006</p> | | <p>Date of mailing of the international search report</p> <p style="text-align: center;">20/10/2006</p> | | | | | | | | | | | | | | | | | | |
| <p>Name and mailing address of the ISA/ European Patent Office, P.B. 5818 Patentlaan 2 NL - 2280 HV Rijswijk Tel. (+31-70) 340-2040, Tx. 31 651 epo nl, Fax: (+31-70) 340-3016</p> | | <p>Authorized officer</p> <p style="text-align: center;">Mue11er, Claus</p> | | | | | | | | | | | | | | | | | | |

INTERNATIONAL SEARCH REPORT

International application No
PCT/IB2006/001123

| C(Continuation). DOCUMENTS CONSIDERED TO BE RELEVANT | | |
|--|--|-----------------------|
| Category* | Citation of document, with indication, where appropriate, of the relevant passages | Relevant to claim No. |
| A | US 5 291 004 A (FRANK ET AL) 1 March 1994 (1994-03-01) ----- | |
| A | US 5 564 602 A (CLELAND ET AL) 15 October 1996 (1996-10-15) ----- | |
| A | US 5 009 082 A (ABRAHAM, III ET AL) 23 April 1991 (1991-04-23) ----- | |
| A | US 5 573 145 A (GROH ET AL) 12 November 1996 (1996-11-12) ----- | |
| A | US 5 368 205 A (GROH ET AL) 29 November 1994 (1994-11-29) ----- | |
| A | US 2 362 104 A (SMITH LEONARD C) 7 November 1944 (1944-11-07) ----- | |

INTERNATIONAL SEARCH REPORT

Information on patent family members

International application No

PCT/IB2006/001123

| Patent document cited in search report | | Publication date | Patent family member(s) | Publication date |
|--|----|------------------|-------------------------|------------------|
| US 2771752 | A | 27-11-1956 | NONE | |
| US 2485610 | A | 25-10-1949 | NONE | |
| US 2004011828 | A1 | 22-01-2004 | AT 309959 T | 15-12-2005 |
| | | | AU 6440301 A | 11-12-2001 |
| | | | AU 6440401 A | 11-12-2001 |
| | | | BG 107342 A | 30-01-2004 |
| | | | BR 0111374 A | 13-05-2003 |
| | | | CA 2411026 A1 | 06-12-2001 |
| | | | CN 1440366 A | 03-09-2003 |
| | | | CN 1440367 A | 03-09-2003 |
| | | | CN 1559881 A | 05-01-2005 |
| | | | CZ 20023941 A3 | 18-06-2003 |
| | | | DE 60115023 D1 | 22-12-2005 |
| | | | DE 60115023 T2 | 27-07-2006 |
| | | | DK 1284918 T3 | 27-03-2006 |
| | | | EA 4098 B1 | 25-12-2003 |
| | | | EE 200200661 A | 15-06-2004 |
| | | | EG 22484 A | 26-02-2003 |
| | | | EP 1284918 A1 | 26-02-2003 |
| | | | EP 1284920 A1 | 26-02-2003 |
| | | | ES 2253386 T3 | 01-06-2006 |
| | | | HK 1053821 A1 | 24-02-2006 |
| | | | HR 20020949 A2 | 28-02-2005 |
| | | | HU 0302354 A2 | 28-10-2003 |
| | | | IS 6641 A | 29-11-2002 |
| | | | JP 2003534997 T | 25-11-2003 |
| | | | JP 2003535000 T | 25-11-2003 |
| | | | MA 25752 A1 | 01-04-2003 |
| | | | MX PA02011847 A | 14-05-2003 |
| | | | WO 0192142 A1 | 06-12-2001 |
| | | | WO 0192145 A1 | 06-12-2001 |
| | | | NL 1015368 C2 | 12-12-2001 |
| | | | NO 20025752 A | 31-01-2003 |
| | | | NZ 523136 A | 24-09-2004 |
| | | | OA 12280 A | 11-05-2006 |
| | | | PL 358921 A1 | 23-08-2004 |
| | | | SK 16962002 A3 | 03-06-2003 |
| | | | UA 73180 C2 | 17-02-2003 |
| | | | US 2004069805 A1 | 15-04-2004 |
| | | | ZA 200209765 A | 02-03-2004 |
| US 2003062386 | A1 | 03-04-2003 | WO 03029734 A1 | 10-04-2003 |
| US 5291004 | A | 01-03-1994 | NONE | |
| US 5564602 | A | 15-10-1996 | NONE | |
| US 5009082 | A | 23-04-1991 | NONE | |
| US 5573145 | A | 12-11-1996 | AT 152698 T | 15-05-1997 |
| | | | CA 2128260 A1 | 20-01-1995 |
| | | | DE 69403030 D1 | 12-06-1997 |
| | | | DE 69403030 T2 | 11-12-1997 |
| | | | EP 0635455 A1 | 25-01-1995 |
| | | | US 5368205 A | 29-11-1994 |

INTERNATIONAL SEARCH REPORT

Information on patent family members

| |
|---|
| International application No PCT/IB2006/001123 |
|---|

| Patent document cited in search report | Publication date | Publication date | Patent family member(s) | Publication date |
|--|------------------|------------------|-------------------------|------------------|
| US 5368205 | A | 29-11-1994 | AT 152698 T | 15-05-1997 |
| | | | CA 2128260 A1 | 20-01-1995 |
| | | | DE 69403030 D1 | 12-06-1997 |
| | | | DE 69403030 T2 | 11-12-1997 |
| | | | EP 0635455 A1 | 25-01-1995 |
| | | | US 5573145 A | 12-11-1996 |
| | | | | |
| US 2362104 | A | 07-11-1944 | NONE | |