

(19) World Intellectual Property Organization
International Bureau



(43) International Publication Date
28 September 2000 (28.09.2000)

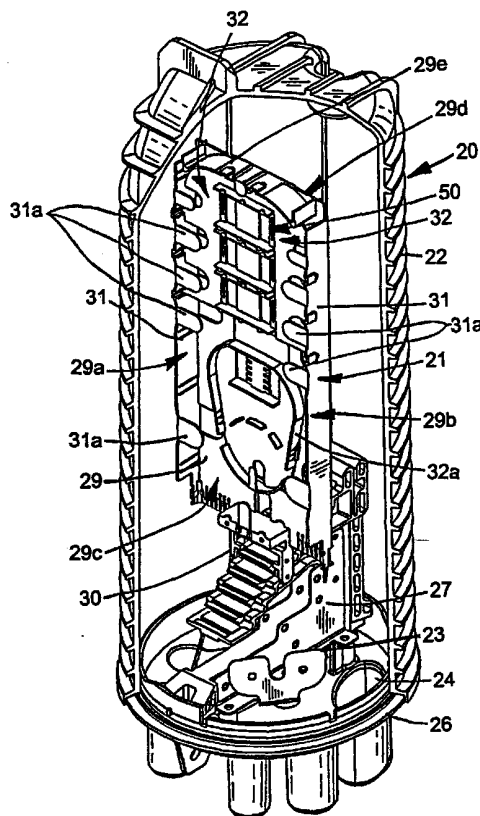
PCT

(10) International Publication Number
WO 00/57230 A3

- (51) International Patent Classification⁷: G02B 6/44 A.; 3207 Mt. View Church Road, Moncure, NC 27559 (US).
- (21) International Application Number: PCT/US00/07424
- (22) International Filing Date: 21 March 2000 (21.03.2000)
- (25) Filing Language: English
- (26) Publication Language: English
- (30) Priority Data: 09/273,882 22 March 1999 (22.03.1999) US
- (71) Applicant: TYCO ELECTRONICS CORPORATION [US/US]; 2901 Fulling Mill Road, Middletown, PA 17057-3163 (US).
- (72) Inventors: HUNSINGER, Terrance, D.; 1413 Sitterson Drive, Raleigh, NC 27603 (US). GREENLEE, Timothy,
- (74) Agents: REGAN, Christopher, F. et al.; Tyco Electronics Corporation, Intellectual Property Law Dept., 307 Constitution Drive, MS R20/1B, Menlo Park, CA 94025-1164 (US).
- (81) Designated States (*national*): BR, CA, CN, ID, IL, JP, KR, MX, PL, RU, TR.
- (84) Designated States (*regional*): European patent (AT, BE, CH, CY, DE, DK, ES, FI, FR, GB, GR, IE, IT, LU, MC, NL, PT, SE).
- Published: — With international search report.
- (88) Date of publication of the international search report: 25 January 2001

[Continued on next page]

(54) Title: FIBER OPTIC SPLICE ORGANIZER WITH SPLICING TRAY AND ASSOCIATED METHOD



[Continued on next page]



WO 00/57230 A3



For two-letter codes and other abbreviations, refer to the "Guidance Notes on Codes and Abbreviations" appearing at the beginning of each regular issue of the PCT Gazette.

(57) Abstract: A fiber optic splice organizer secures a plurality of optical fiber splices between first and second optical fiber groups and secures slack associated therewith. The organizer includes a generally longitudinally extending lower base member that has lengthwise extending first and second opposing sides and widthwise extending first and second opposing ends. Slack optical fibers can be stored in looped configuration on the lower base member. A hinge is connected at one end and is adapted to pivotally mount the lower base member to a housing of a fiber optic splice closure. A member is positioned at the pivotally connected end of the base member for receiving groups of optical fibers. An upper splicing tray is positioned on the lower base member and at least one splice holder is positioned on the upper splicing tray for securing a plurality of fiber optic splices in side-by-side relation.

INTERNATIONAL SEARCH REPORT

International Application No

PCT/US 00/07424

A. CLASSIFICATION OF SUBJECT MATTER
 IPC 7 G02B6/44

According to International Patent Classification (IPC) or to both national classification and IPC

B. FIELDS SEARCHED

Minimum documentation searched (classification system followed by classification symbols)
 IPC 7 G02B

Documentation searched other than minimum documentation to the extent that such documents are included in the fields searched

Electronic data base consulted during the international search (name of data base and, where practical, search terms used)

EPO-Internal, WPI Data, PAJ

C. DOCUMENTS CONSIDERED TO BE RELEVANT

Category *	Citation of document, with indication, where appropriate, of the relevant passages	Relevant to claim No.
X	US 5 353 367 A (CZOSNOWSKI W MICHAL ET AL) 4 October 1994 (1994-10-04) column 3, line 51 -column 4, line 21; figures 2,4,6 ---	1,3,4,6, 11,12, 14,19, 21,22, 26,31,32
X	US 5 323 480 A (MULLANEY JULIAN S ET AL) 21 June 1994 (1994-06-21) cited in the application ---	11,12, 14-19, 22,24, 26-30
A	column 1, line 24 - line 33 column 6, line 50 -column 8, line 28; figures 1-3 --- -/--	1,31

Further documents are listed in the continuation of box C. Patent family members are listed in annex.

* Special categories of cited documents :

"A" document defining the general state of the art which is not considered to be of particular relevance "E" earlier document but published on or after the international filing date "L" document which may throw doubts on priority claim(s) or which is cited to establish the publication date of another citation or other special reason (as specified) "O" document referring to an oral disclosure, use, exhibition or other means "P" document published prior to the international filing date but later than the priority date claimed	"T" later document published after the international filing date or priority date and not in conflict with the application but cited to understand the principle or theory underlying the invention "X" document of particular relevance; the claimed invention cannot be considered novel or cannot be considered to involve an inventive step when the document is taken alone "Y" document of particular relevance; the claimed invention cannot be considered to involve an inventive step when the document is combined with one or more other such documents, such combination being obvious to a person skilled in the art. "&" document member of the same patent family
---	---

Date of the actual completion of the international search	Date of mailing of the international search report
5 September 2000	13/09/2000

Name and mailing address of the ISA European Patent Office, P.B. 5818 Patentlaan 2 NL - 2280 HV Rijswijk Tel. (+31-70) 340-2040, Tx. 31 651 epo nl, Fax: (+31-70) 340-3016	Authorized officer Hylla, W
--	------------------------------------

INTERNATIONAL SEARCH REPORT

International Application No

PCT/US 00/07424

C.(Continuation) DOCUMENTS CONSIDERED TO BE RELEVANT		
Category °	Citation of document, with indication, where appropriate, of the relevant passages	Relevant to claim No.
X	US 5 647 045 A (ROBINSON SCOTT T ET AL) 8 July 1997 (1997-07-08)	31,33
Y	abstract; figures 2,3 column 13, line 52 -column 14, line 31 ---	1-10
Y	EP 0 490 644 A (AMERICAN TELEPHONE & TELEGRAPH) 17 June 1992 (1992-06-17) abstract; figures 2,3 column 4, line 53 -column 5, line 54 ---	1-10
X	US 4 373 776 A (PURDY MICHAEL L) 15 February 1983 (1983-02-15) cited in the application	11,14, 19,24,26
A	column 1, line 41 -column 2, line 33; figures 1,4,6 ---	1,31
X	GB 2 300 491 A (ALCATEL SUBMARCOM) 6 November 1996 (1996-11-06)	31
A	page 7, line 22 -page 8, line 29; figures 1,7-9 -----	1,11

INTERNATIONAL SEARCH REPORT

Information on patent family members

International Application No

PCT/US 00/07424

Patent document cited in search report	A	Publication date	Patent family member(s)	Publication date
US 5353367	A	04-10-1994	NONE	
US 5323480	A	21-06-1994	AU 716215 B	24-02-2000
			AU 4931597 A	26-02-1998
			AU 683862 B	27-11-1997
			AU 5673694 A	22-06-1994
			BR 9307525 A	31-08-1999
			CA 2150007 A	09-06-1994
			CN 1089362 A, B	13-07-1994
			EP 0671021 A	13-09-1995
			JP 8503790 T	23-04-1996
			NZ 258734 A	24-06-1997
			NZ 314586 A	26-08-1998
			NZ 314587 A	25-11-1998
			WO 9412904 A	09-06-1994
			US 5515472 A	07-05-1996
US 5647045	A	08-07-1997	AU 1965197 A	10-09-1997
			WO 9731281 A	28-08-1997
			US 5781686 A	14-07-1998
EP 0490644	A	17-06-1992	US 5185845 A	09-02-1993
			CA 2057489 C	04-04-1995
			DE 69127882 D	13-11-1997
			DE 69127882 T	05-02-1998
			JP 4359203 A	11-12-1992
US 4373776	A	15-02-1983	NONE	
GB 2300491	A	06-11-1996	FR 2733843 A	08-11-1996
			AU 714708 B	06-01-2000
			AU 5075496 A	14-11-1996
			IT T0960348 A	03-11-1997
			JP 8304633 A	22-11-1996
			NZ 286373 A	24-03-1997
			US 5838871 A	17-11-1998