



US00D494270S1

(12) **United States Design Patent** (10) **Patent No.:** **US D494,270 S**
Reschke (45) **Date of Patent:** **** Aug. 10, 2004**

(54) **ELECTROSURGICAL PENCIL WITH MULTIPLE SCALLOPS**
(75) Inventor: **Arlan James Reschke**, Boulder, CO (US)
(73) Assignee: **Sherwood Services AG**, Schaffhuasen (CH)
(**) Term: **14 Years**
(21) Appl. No.: **29/175,415**
(22) Filed: **Feb. 4, 2003**
(51) **LOC (7) Cl.** **24-02**
(52) **U.S. Cl.** **D24/144; D24/133**
(58) **Field of Search** D24/144, 147, D24/133; D8/82, 107, 83, 85, 43; 606/40, 42, 45, 1, 190

5,318,565 A 6/1994 Kuriloff et al.
5,376,089 A 12/1994 Smith
5,395,363 A 3/1995 Billings et al.
5,409,484 A 4/1995 Erlich et al.
5,413,575 A 5/1995 Haenggi
5,431,650 A 7/1995 Cosmescu
5,451,222 A 9/1995 De Maagd et al.
5,460,602 A 10/1995 Shapira
5,484,434 A * 1/1996 Cartmell et al. 606/42
D393,067 S * 3/1998 Geary et al. D24/144
5,725,479 A * 3/1998 Knight et al. 606/190
D402,031 S * 12/1998 Roberts et al. D24/144
5,893,862 A 4/1999 Pratt et al.
6,099,525 A 8/2000 Cosmescu
6,142,995 A 11/2000 Cosmescu
6,146,353 A 11/2000 Platt, Jr.
D453,833 S * 2/2002 Hess D24/144

FOREIGN PATENT DOCUMENTS

FR 2 235 669 1/1975
WO WO 94/20032 9/1994

* cited by examiner

Primary Examiner—Ian Simmons

(56) **References Cited**
U.S. PATENT DOCUMENTS
D226,829 S * 5/1973 Staub D24/144
3,825,004 A 7/1974 Durden, III
3,828,780 A 8/1974 Morrison, Jr.
3,906,955 A 9/1975 Roberts
3,974,833 A 8/1976 Durden, III
4,032,738 A 6/1977 Esty et al.
4,427,006 A 1/1984 Nottke
4,459,443 A 7/1984 Lewandowski
4,562,838 A 1/1986 Walker
4,625,723 A 12/1986 Altenthaler et al.
4,911,159 A 3/1990 Johnson et al.
5,055,100 A 10/1991 Olsen
5,071,418 A 12/1991 Rosenbaum
5,098,430 A 3/1992 Fleenor
5,192,267 A 3/1993 Shapira et al.
5,195,959 A 3/1993 Smith
5,234,428 A 8/1993 Kaufman
5,242,442 A 9/1993 Hirschfeld
5,269,781 A 12/1993 Hewell, III
5,306,238 A 4/1994 Fleenor

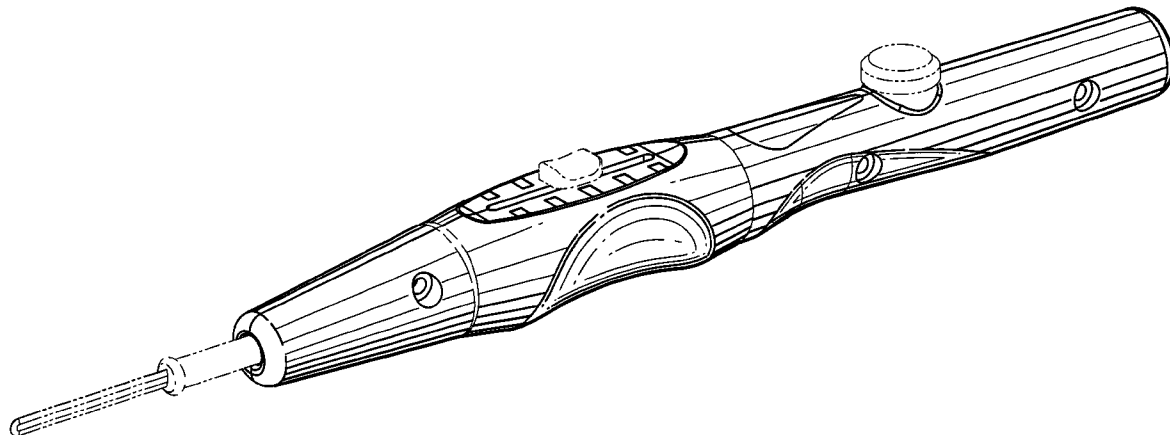
(57) **CLAIM**

The ornamental design for an electrosurgical pencil with multiple scallops, as shown and described.

DESCRIPTION

FIG. 1 is a perspective view of the electrosurgical pencil with multiple scallops showing our new design; FIG. 2 is a top view thereof; FIG. 3 is a bottom view thereof; FIG. 4 is a left side view thereof; FIG. 5 is a front view thereof; FIG. 6 is a right side view thereof; and, FIG. 7 is a rear view thereof. The broken lines showing in FIGS. 1–7 are for illustrative purposes only and form no part of the claimed design.

1 Claim, 4 Drawing Sheets



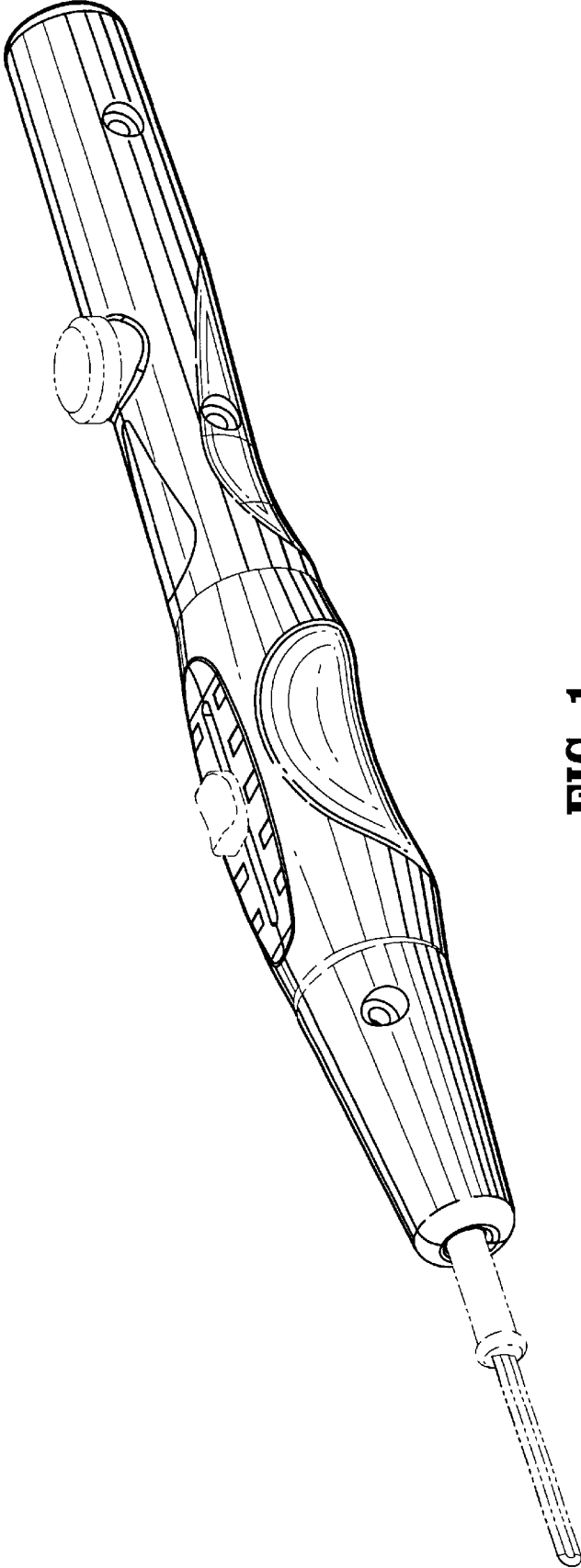


FIG. 1

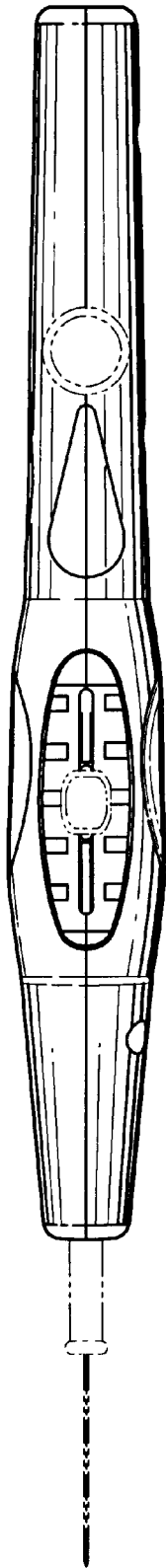


FIG. 2

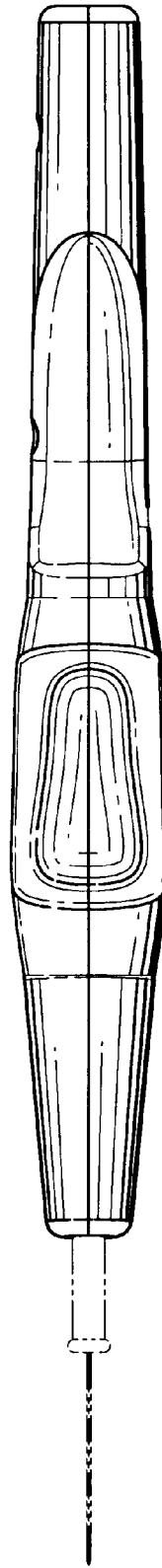


FIG. 3

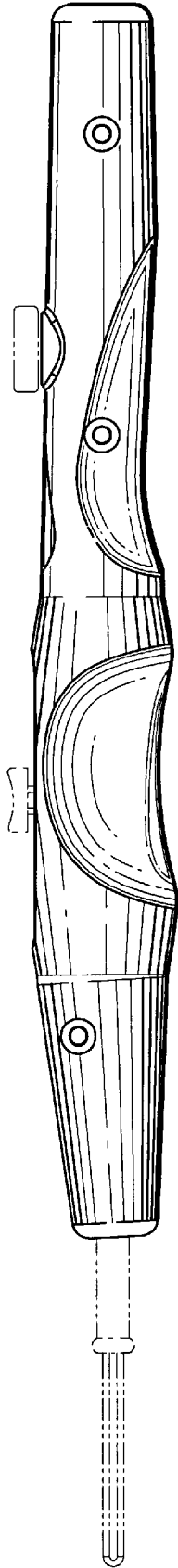


FIG. 4

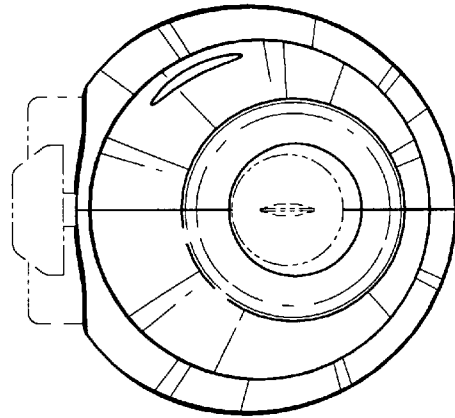


FIG. 5

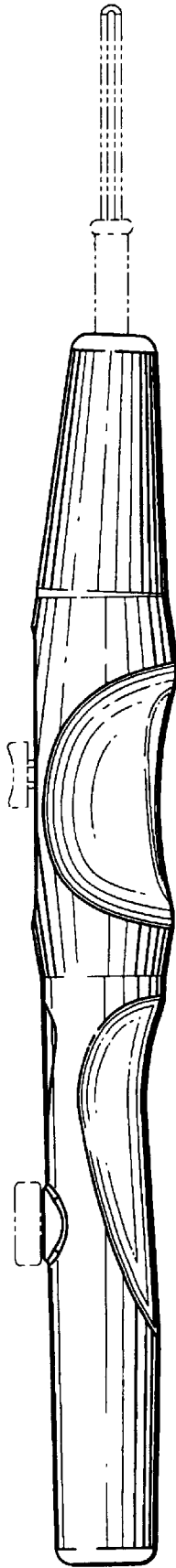


FIG. 6

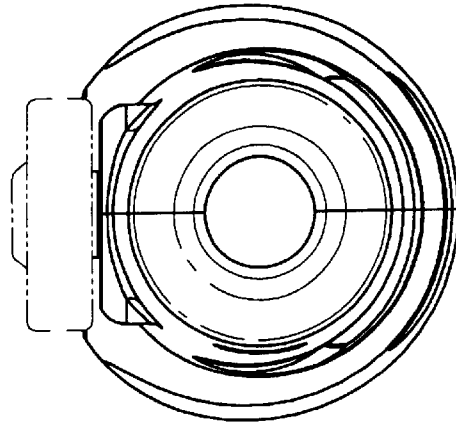


FIG. 7