



US00D994440S

(12) **United States Design Patent**
Zemel et al.

(10) **Patent No.:** **US D994,440 S**

(45) **Date of Patent:** **** Aug. 8, 2023**

(54) **FOOD COVER**

(71) Applicant: **Mr. Bar-B-Q Products LLC**, Melville, NY (US)

(72) Inventors: **Marc Zemel**, Melville, NY (US);
Joanne Rudis, Melville, NY (US)

(73) Assignee: **Mr. Bar-B-Q Products LLC**, Hauppauge, NY (US)

(**) Term: **15 Years**

(21) Appl. No.: **29/787,720**

(22) Filed: **Jun. 8, 2021**

(51) **LOC (14) Cl.** **09-07**

(52) **U.S. Cl.**
USPC **D7/629**

(58) **Field of Classification Search**

USPC D7/672, 601, 550.1, 551.1, 551.2, 551.3, D7/552.1, 553.1, 553.2, 553.3, 553.4, D7/553.5, 553.7, 553.8, 554.1, 554.3, D7/554.4, 555, 557, 602, 629, 630, D7/538-542, 612-615, 584, 586, 587, D7/392.1, 709, 502, 608, 662; D9/424-432, 414-423; D3/273, 302; D19/102, 104, 106
CPC B65D 81/18; B65D 81/00; B65D 81/22; B65D 81/24; B65D 81/34; B65D 81/3446; B65D 2543/0062; B65D 53/02; B65D 45/22; B65D 23/00; B65D 1/34; B65D 1/42; B65D 43/0206; B65D 21/0219; B65D 21/0222

See application file for complete search history.

(56) **References Cited**

U.S. PATENT DOCUMENTS

4,113,095 A * 9/1978 Dietz B65D 1/34
206/508
4,976,370 A * 12/1990 Cassel B65D 1/22
220/792

D551,515 S * 9/2007 Ablo D7/629
D682,052 S * 5/2013 Thomas D7/629
D740,601 S * 10/2015 Carlson D7/649
D750,423 S * 3/2016 Shirley D7/391
D767,950 S * 10/2016 Kraemer D7/629
D826,005 S * 8/2018 Walters Pennington D7/629
D859,145 S * 9/2019 Maxwell D9/424
D959,210 S * 8/2022 Lin D7/629
D968,559 S * 11/2022 Jackson D23/209
D971,015 S * 11/2022 Marino D9/425
D971,688 S * 12/2022 Lin D7/629
D980,383 S * 3/2023 Tanaka D23/209

(Continued)

FOREIGN PATENT DOCUMENTS

GB 2 127 280 A 4/1984

Primary Examiner — Andrew Kerr

(74) *Attorney, Agent, or Firm* — Carter, DeLuca & Farrell LLP

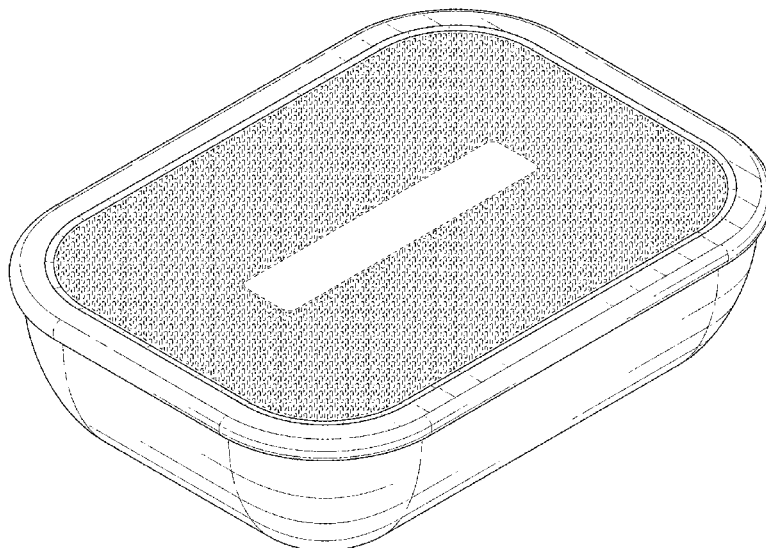
(57) **CLAIM**

The ornamental design for a food cover, as shown and described.

DESCRIPTION

FIG. 1 is a top perspective view of a food cover, showing our new design;
FIG. 2 is a front elevational view thereof;
FIG. 3 is a rear elevational view thereof;
FIG. 4 is a left side elevational view thereof;
FIG. 5 is a right side elevational view thereof;
FIG. 6 is a top plan view thereof;
FIG. 7 is a bottom plan view thereof;
FIG. 8 is an exploded top perspective view thereof; and,
FIG. 9 is an exploded bottom perspective view of FIG. 8. The dash broken lines shown are included for the purpose of illustrating portions of the food cover that form no part of the claimed design.

1 Claim, 7 Drawing Sheets



(56)

References Cited

U.S. PATENT DOCUMENTS

2009/0120937 A1* 5/2009 Vovan B65D 43/0206
220/266
2010/0015303 A1 1/2010 Law
2017/0071405 A1 3/2017 Huang et al.

* cited by examiner

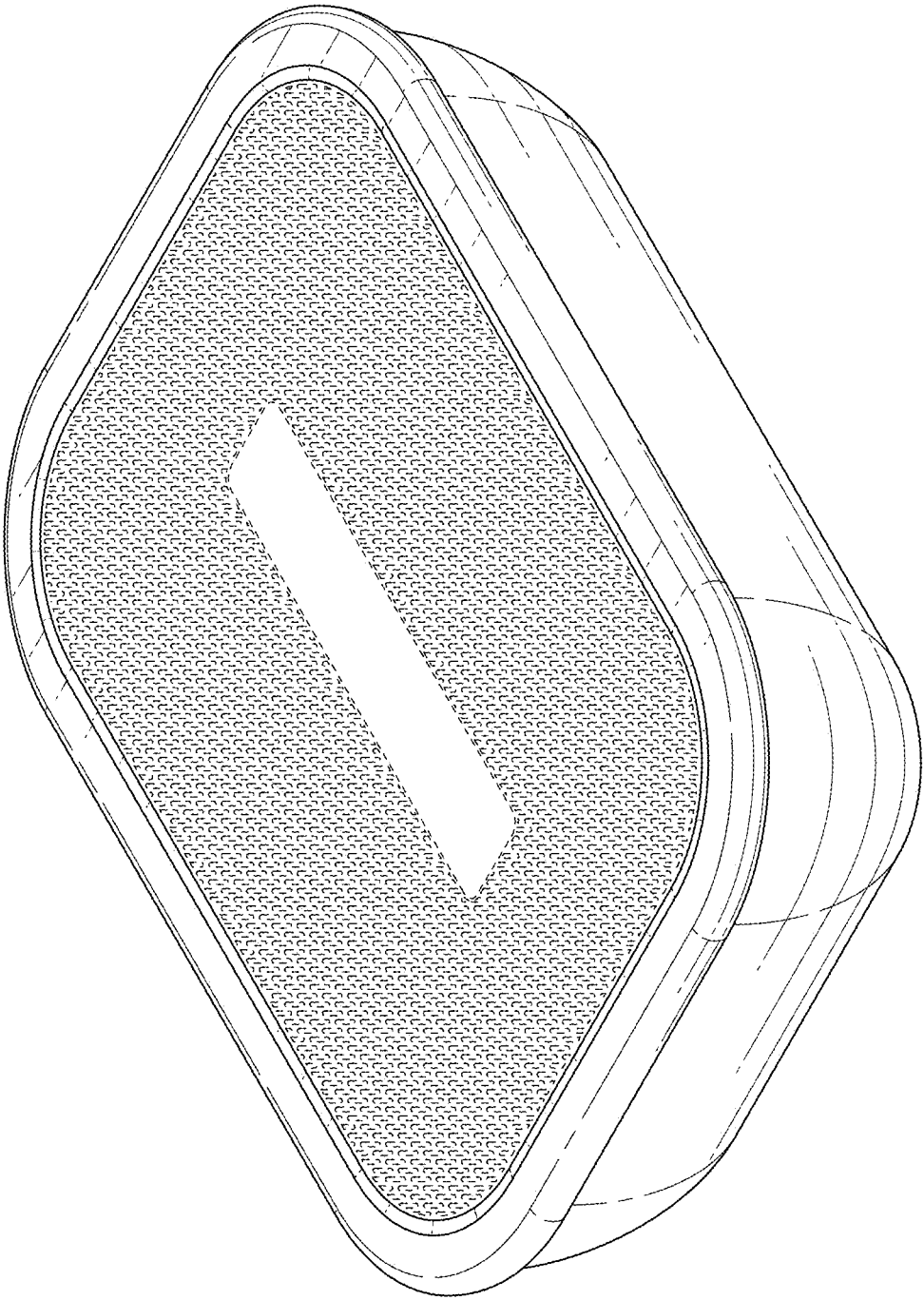


FIG. 1

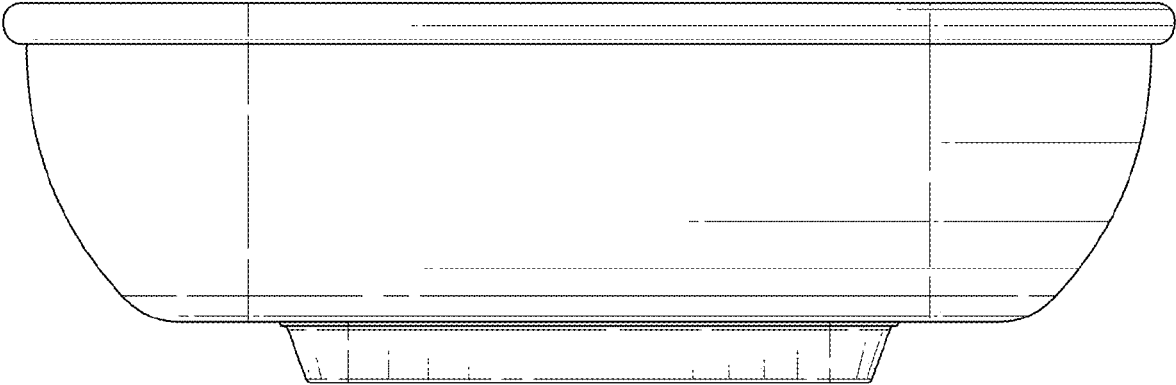


FIG. 2

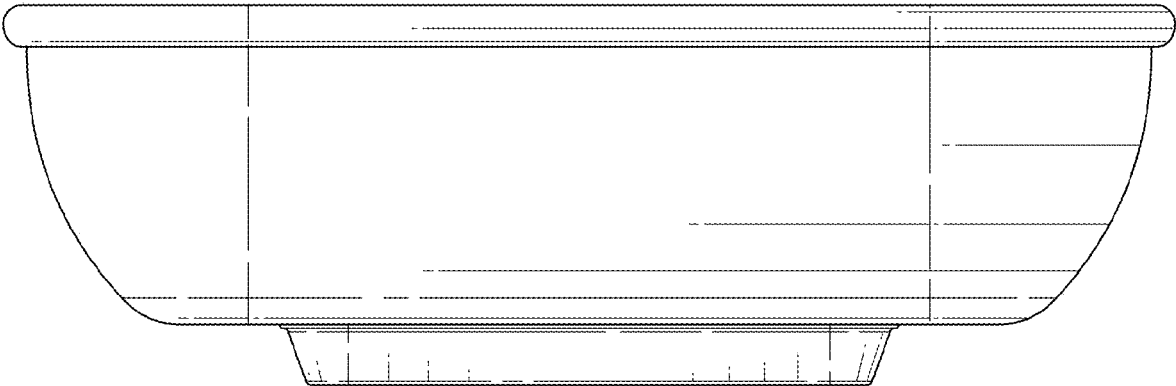


FIG. 3

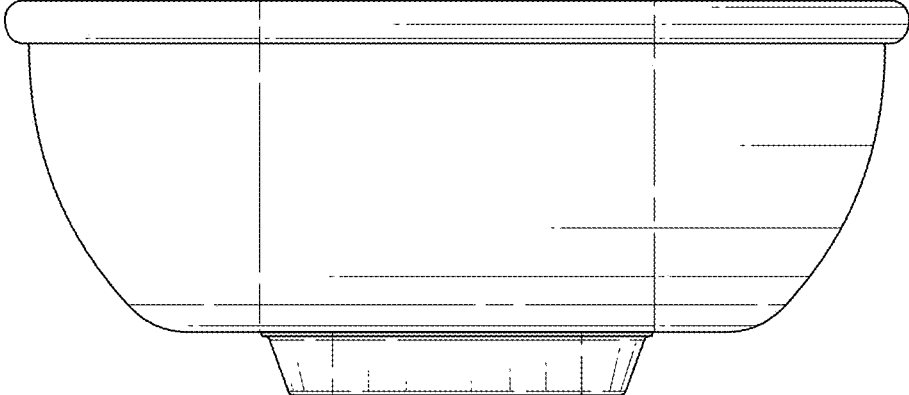


FIG. 4

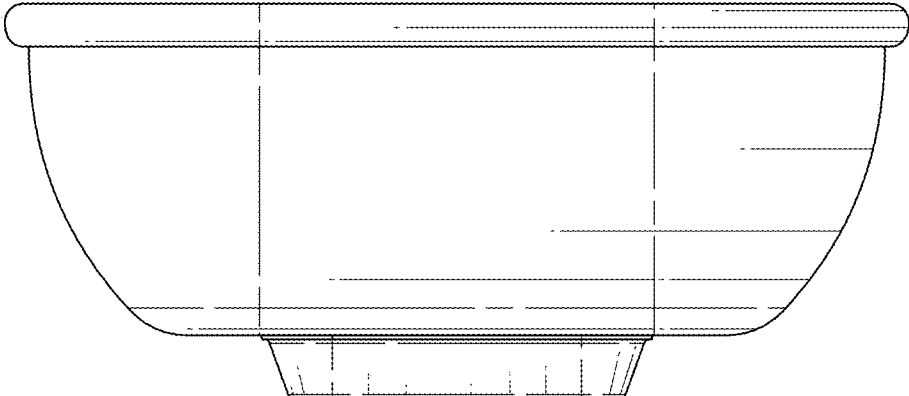


FIG. 5

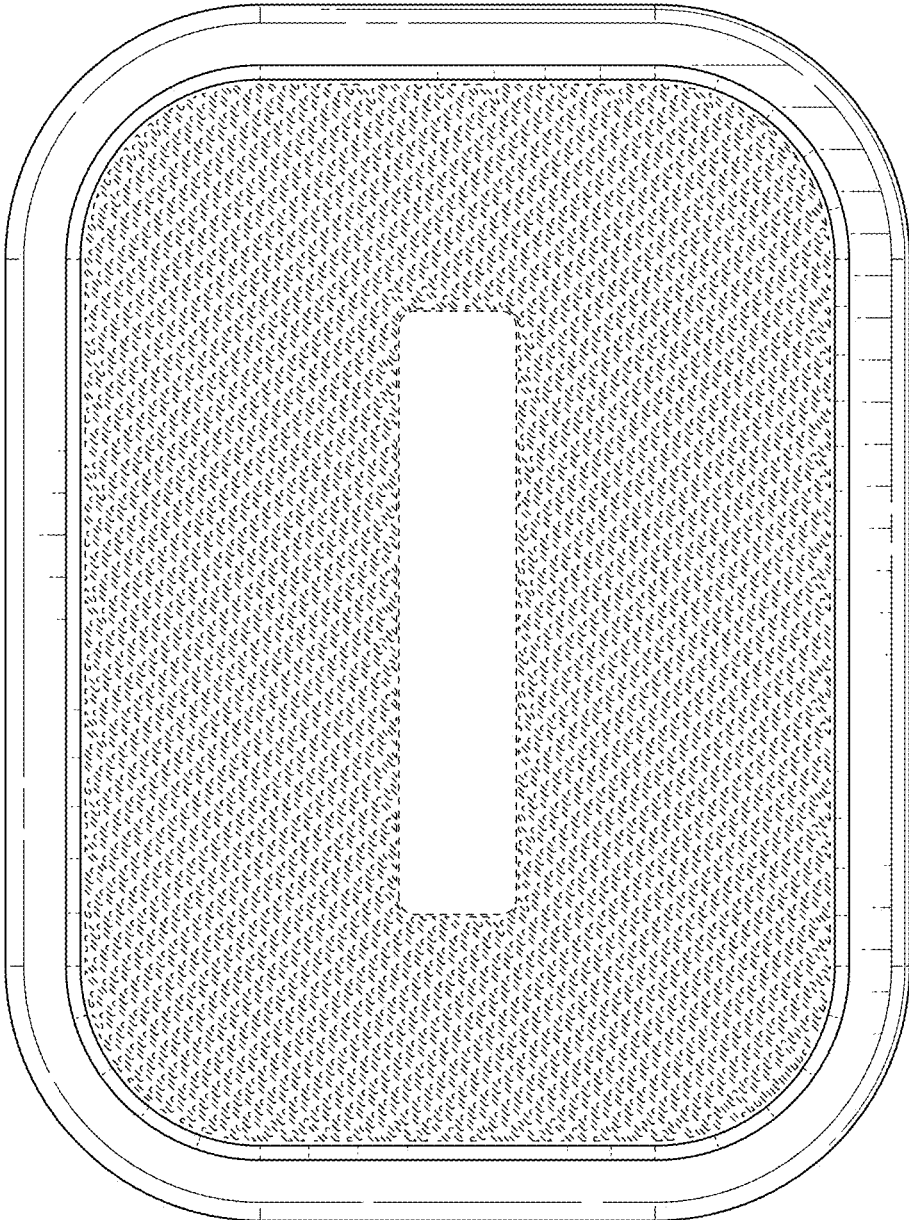


FIG. 6

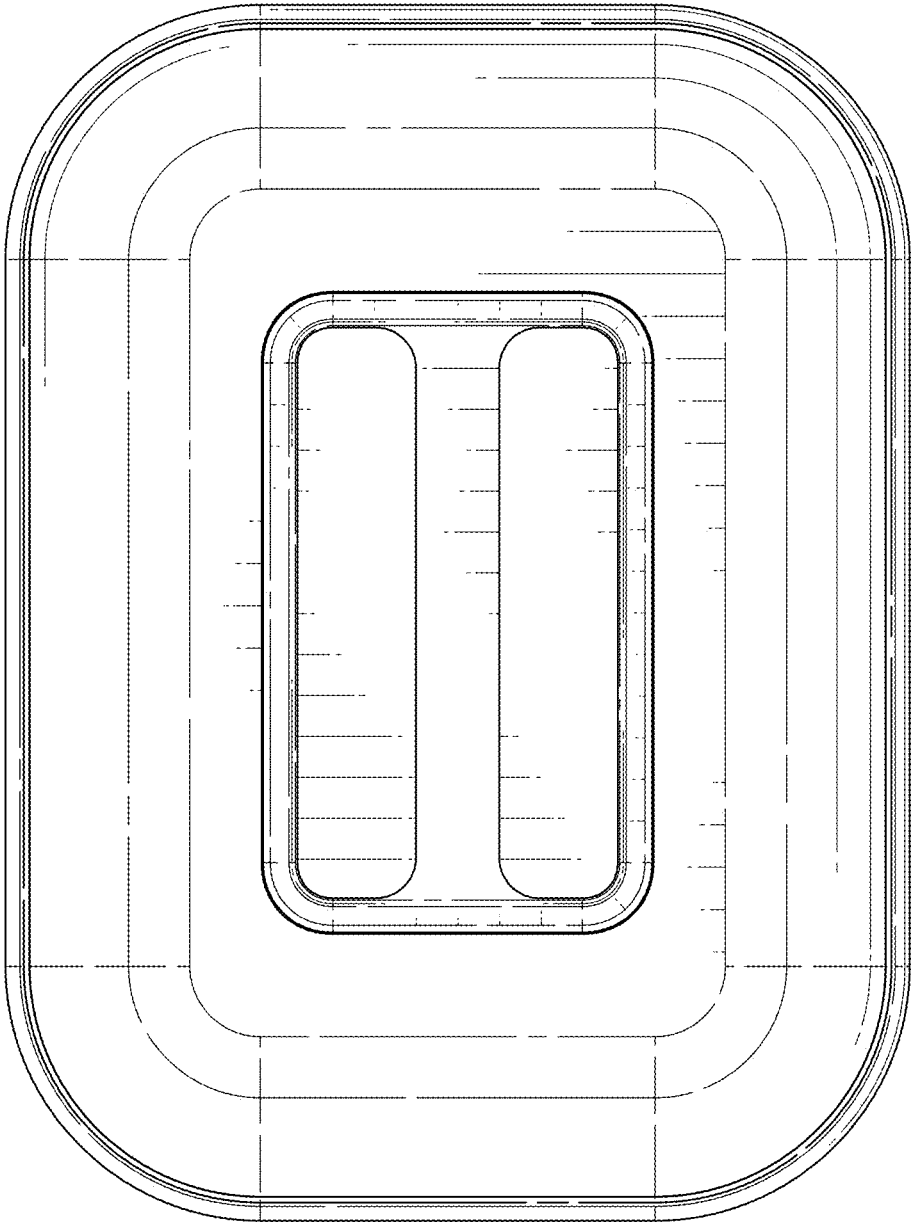


FIG. 7

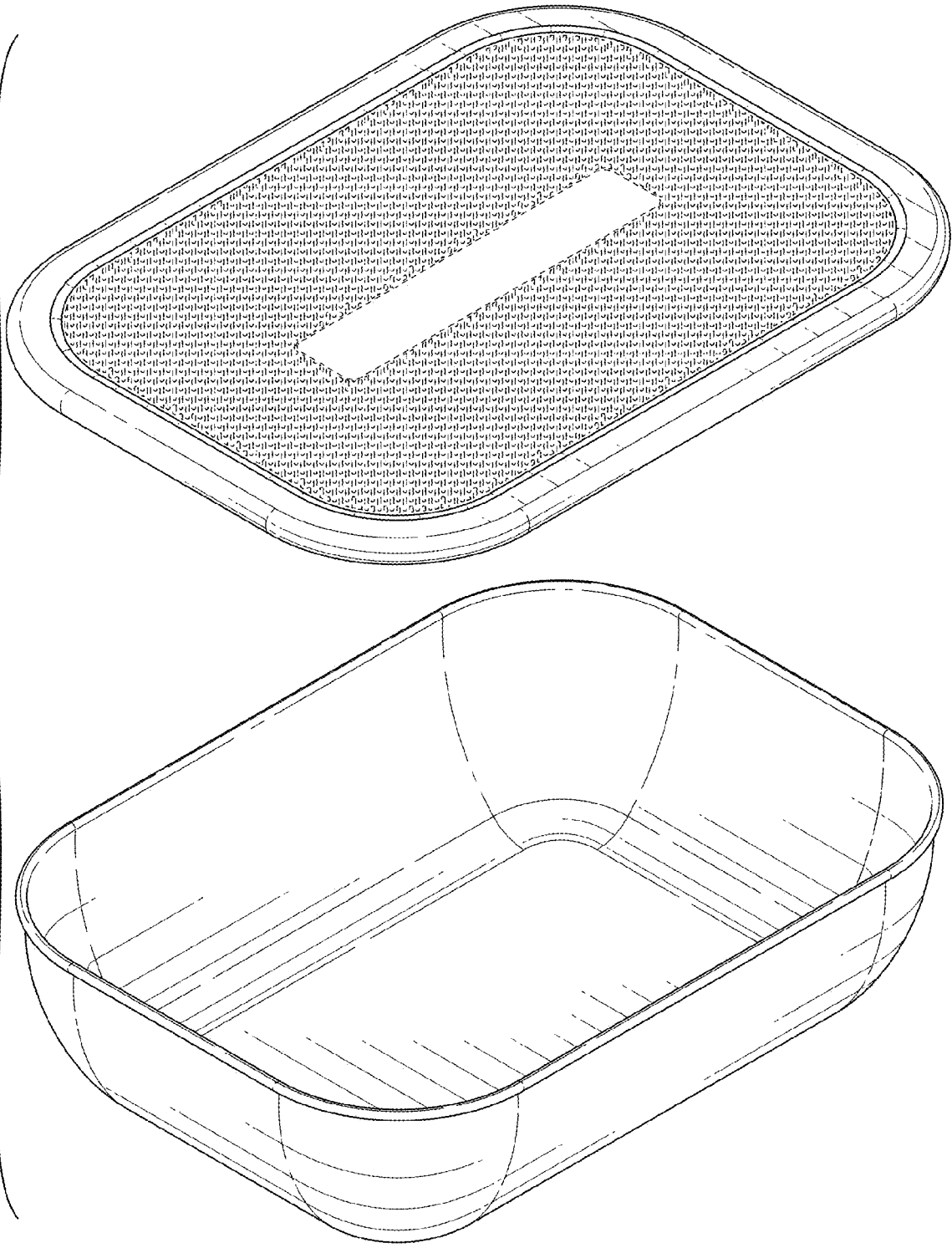


FIG. 8

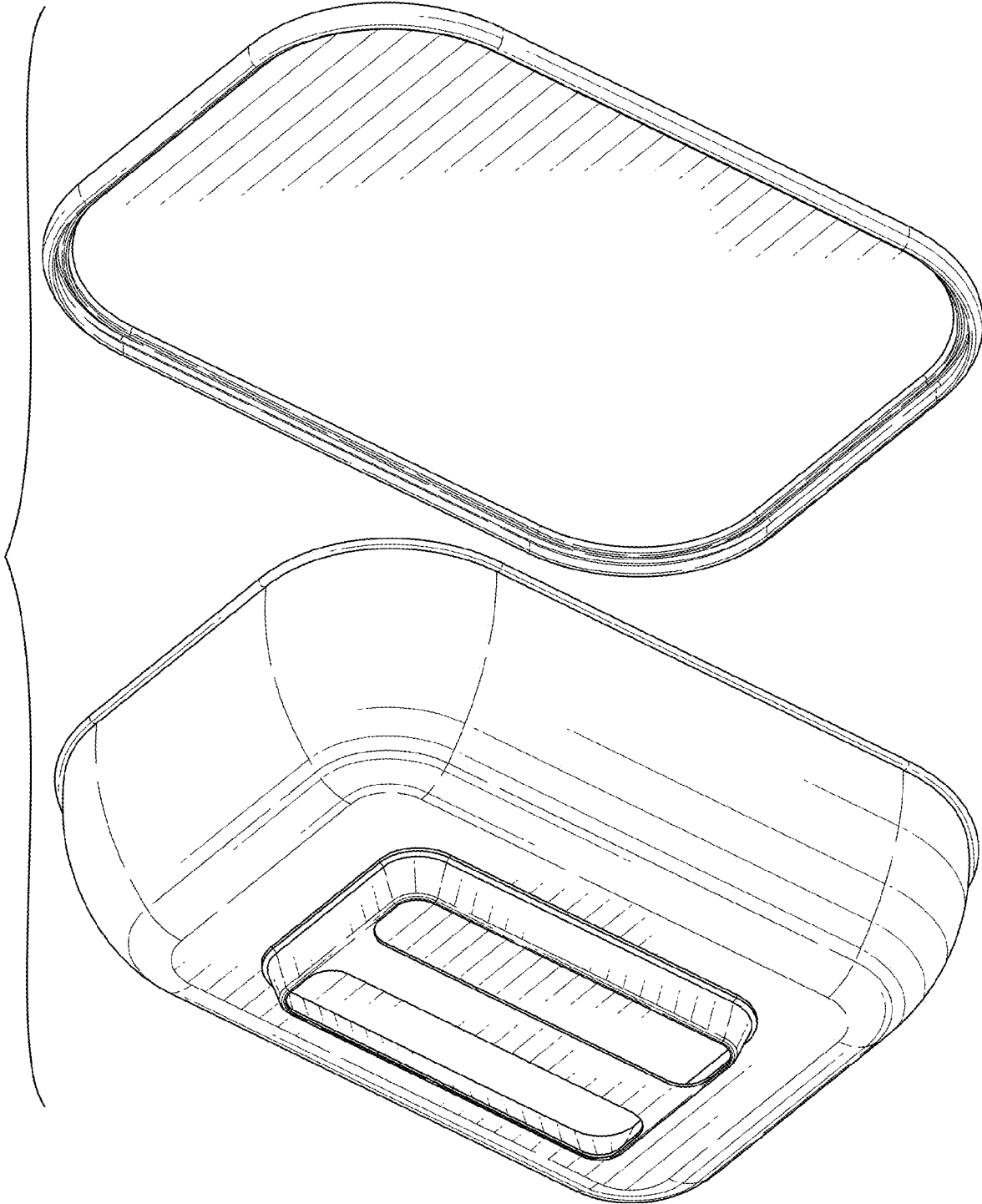


FIG. 9