



US00D499686S

(12) **United States Design Patent**
Song

(10) **Patent No.:** **US D499,686 S**

(45) **Date of Patent:** **** Dec. 14, 2004**

(54) **FRONT FACE OF A VEHICLE WHEEL**

(75) **Inventor:** **Siyoung Song, Irvine, CA (US)**

(73) **Assignee:** **Dr. Ing. h.c.F. Porsche
Aktiengesellschaft, Stuttgart (DE)**

(**) **Term:** **14 Years**

(21) **Appl. No.:** **29/198,892**

(22) **Filed:** **Feb. 9, 2004**

(30) **Foreign Application Priority Data**

Aug. 8, 2003 (DE) 403 05 251

(51) **LOC (7) Cl.** **12-16**

(52) **U.S. Cl.** **D12/211**

(58) **Field of Search** D12/204-213;
301/37.101, 64.101, 65

(56) **References Cited**

U.S. PATENT DOCUMENTS

D402,951 S * 12/1998 Wechner D12/211
D419,945 S * 2/2000 Hartanto D12/211
D421,953 S * 3/2000 Sims et al. D12/211
D432,071 S * 10/2000 Brown D12/211

D447,107 S * 8/2001 Kuribayashi D12/211
D450,027 S * 11/2001 Kuribayashi D12/209
D451,463 S * 12/2001 Murkett et al. D12/209
D453,494 S * 2/2002 Brown et al. D12/211
D454,826 S * 3/2002 Kaucher D12/211
D464,009 S * 10/2002 Laengerer D12/211
D471,504 S * 3/2003 Laengerer D12/211
D472,865 S * 4/2003 Wechner D12/211
D479,178 S * 9/2003 Lai D12/211

* cited by examiner

Primary Examiner—Stacia Cadmus

(74) *Attorney, Agent, or Firm*—Crowell & Moring LLP

(57) **CLAIM**

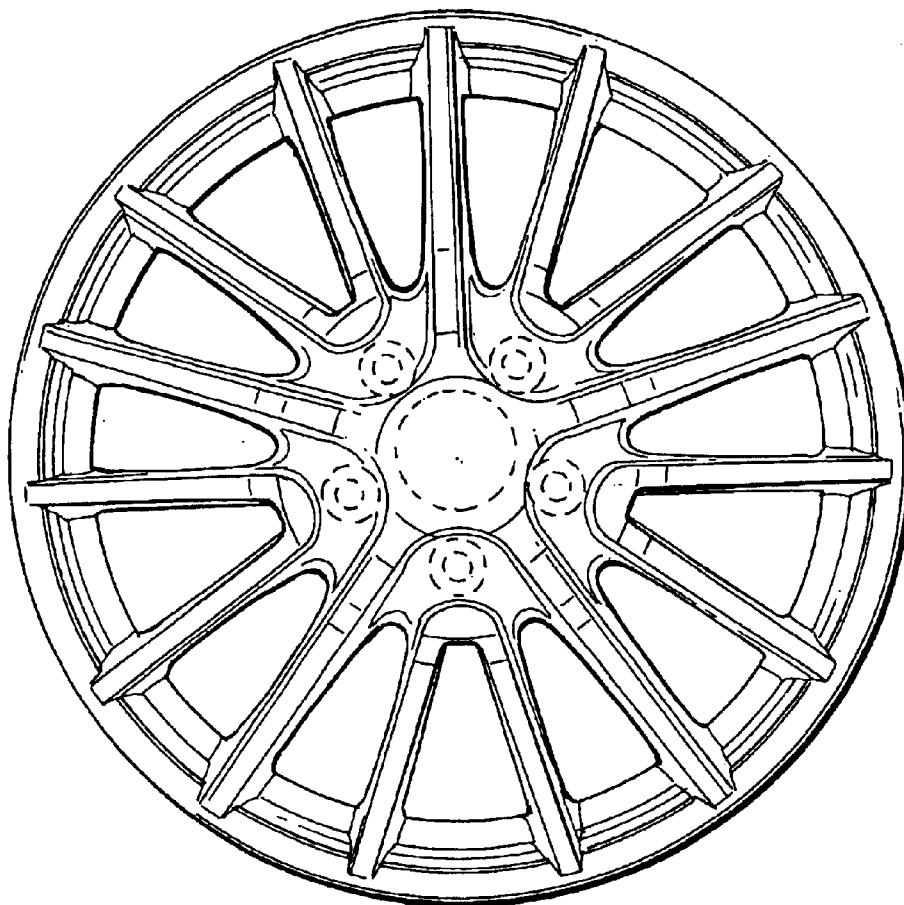
The ornamental design for a front face of a vehicle wheel, as shown and described.

DESCRIPTION

FIG. 1 is a front view of a front face of a vehicle wheel according to my novel design; and, FIG. 2 is a perspective view of the front face of a vehicle wheel according to my novel design.

The broken lines are for illustrative purposes only and form no part of the claimed design.

1 Claim, 1 Drawing Sheet



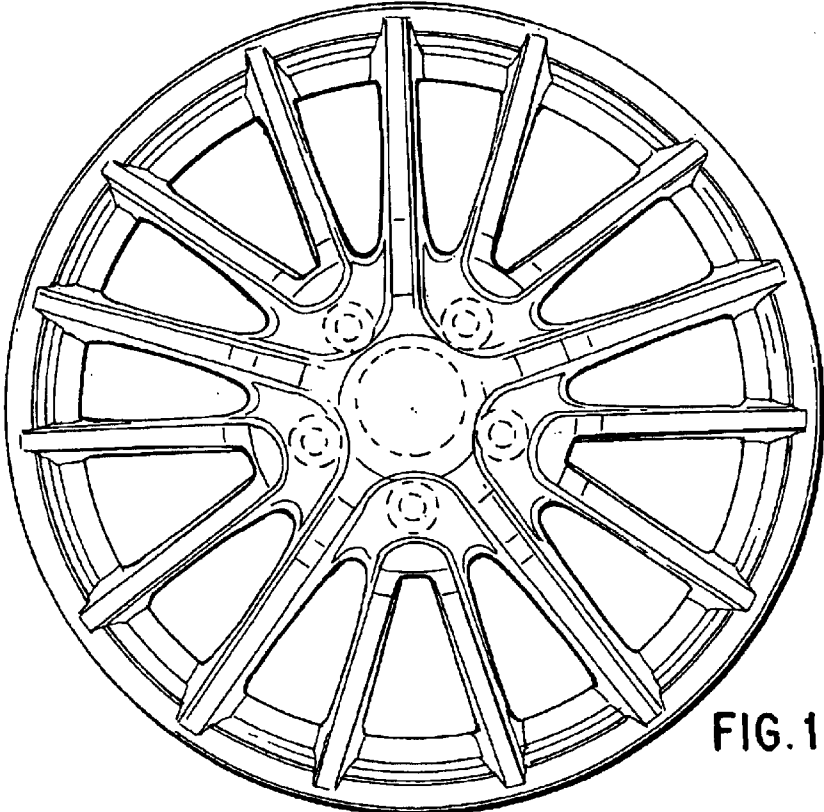


FIG. 1

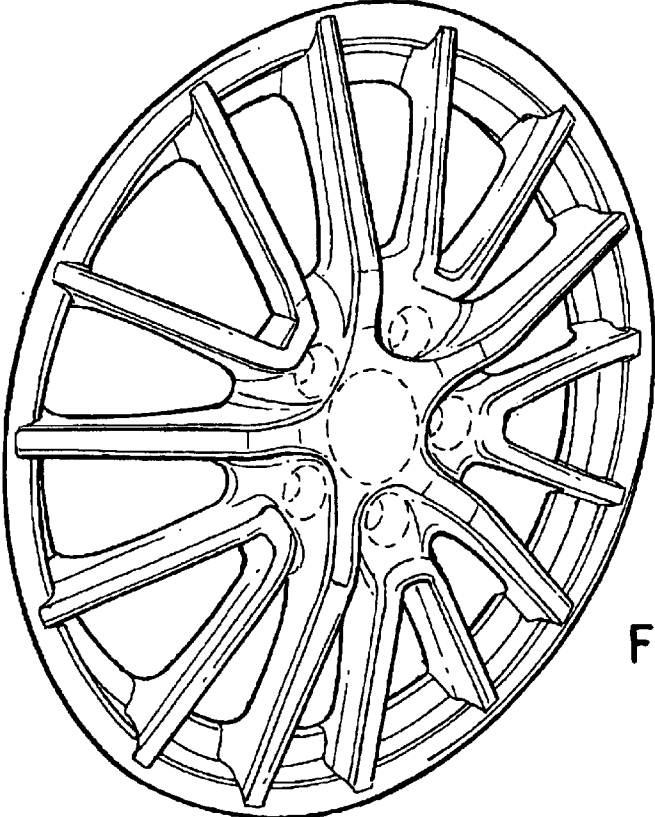


FIG. 2