



US00D612279S

(12) **United States Design Patent**  
**Heidemann et al.**

(10) **Patent No.:** **US D612,279 S**

(45) **Date of Patent:** **\*\* \*Mar. 23, 2010**

(54) **USER INTERFACE IN AN ANALYTE METER**

D281,148 S 10/1985 Highstreet  
D282,448 S 2/1986 Hall  
D287,946 S 1/1987 Tsuyama  
D288,542 S 3/1987 Tsuyama  
D292,610 S 11/1987 Nelson  
D302,393 S 7/1989 Faulconer

(75) Inventors: **Karen Heidemann**, Zug (CH); **Anton Petkov**, Zug (CH); **Mel Chiba**, San Jose, CA (US); **Charles Henry Blevins**, Milpitas, CA (US); **Michele Monico**, Segrate, MI (US); **Adelio Bolognesi**, Como (IT); **Allan Orr**, Westhill (GB)

(Continued)

(73) Assignee: **Lifescan Scotland Limited**, Scotland (GB)

FOREIGN PATENT DOCUMENTS

DE 4315532 A1 11/1993

(\*\*) Term: **14 Years**

(Continued)

(21) Appl. No.: **29/302,575**

OTHER PUBLICATIONS

(22) Filed: **Jan. 18, 2008**

Owner's Booklet, "One Touch Ultra2 Blood Glucose Monitoring System"; 2005 LifeScan, Inc., Milpitas, CA 95035 Rev. Jan. 2007.

(51) **LOC (9) Cl.** ..... **10-04**

(Continued)

(52) **U.S. Cl.** ..... **D10/103**; D10/78; D10/81

*Primary Examiner*—Antoine D Davis

(58) **Field of Classification Search** ..... D10/78, D10/81, 103; D24/107, 186, 232; 324/72.5, 324/110, 114–115, 149, 151 A, 158 F, 156; 340/653, 660; 439/482; 422/63–68.1, 99, 422/100, 58, 61, 82.05; 423/43; 436/164, 436/166, 169, 605; 356/246

(57) **CLAIM**

We claim the ornamental design for a user interface in an analyte meter, as shown and described.

See application file for complete search history.

**DESCRIPTION**

(56) **References Cited**

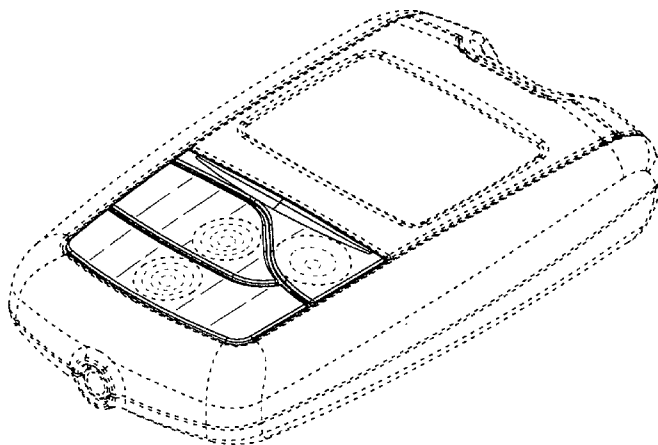
FIG. 1 is a perspective view of the front of a user interface in an analyte test meter, as seen from one perspective;  
FIG. 2 is a perspective view of the front of the user interface in the analyte test meter, as seen from another perspective;  
FIG. 3 is a top plan view thereof;  
FIG. 4 is a front elevational view thereof;  
FIG. 5 is a rear elevational view thereof;  
FIG. 6 is a first side view thereof;  
FIG. 7 is a second side view thereof; and,  
FIG. 8 is a bottom plan view thereof.

U.S. PATENT DOCUMENTS

D243,038 S 1/1977 Ray  
D243,932 S 4/1977 Warren  
D247,161 S 2/1978 Fernandez et al.  
D247,162 S 2/1978 Vanasco  
D248,628 S 7/1978 Schwartz  
D248,929 S 8/1978 Connolly  
D249,479 S 9/1978 Rasmussen  
D250,882 S 1/1979 Johansen  
D251,114 S 2/1979 Potts  
D255,335 S 6/1980 Joslin et al.  
D261,739 S 11/1981 Leibson  
D264,192 S 5/1982 Greenlee et al.  
D264,193 S 5/1982 Greenlee et al.  
D278,606 S 4/1985 Suzuki  
D278,689 S 5/1985 Jupe et al.

The feature shown in broken lines in various Figures are for illustrating reference or environmental structure.

**1 Claim, 5 Drawing Sheets**



# US D612,279 S

Page 2

U.S. PATENT DOCUMENTS					
D304,306 S	10/1989	Kagayama	6,168,563 B1	1/2001	Brown
D307,399 S	4/1990	Collister	D444,235 S	6/2001	Roberts et al.
D314,155 S	1/1991	Toivonen	6,246,966 B1	6/2001	Perry
D316,823 S	5/1991	Dadachanji	D445,351 S	7/2001	Yamauchi et al.
5,019,974 A	5/1991	Beckers	D446,737 S	8/2001	Olson
D319,250 S	8/1991	Inuma	D447,070 S	8/2001	Chen
D319,988 S	9/1991	Ueda	D452,659 S	1/2002	Harju et al.
5,077,476 A	12/1991	Rosenthal	D452,830 S	1/2002	Harju et al.
D323,893 S	2/1992	Arioka	D453,905 S	2/2002	Cheng
D324,344 S	3/1992	Collister et al.	6,377,894 B1	4/2002	Deweese et al.
5,216,597 A	6/1993	Beckers	D457,824 S	5/2002	Tan et al.
D339,537 S	9/1993	Willnauer et al.	D460,557 S	7/2002	Steinberg et al.
D346,602 S	5/1994	Robertson	D460,925 S	7/2002	Arnoux et al.
D346,751 S	5/1994	Emori	D462,024 S	8/2002	Nardo et al.
D346,753 S	5/1994	Barbookles et al.	D465,026 S	10/2002	May et al.
5,315,236 A	5/1994	Lee	6,461,331 B1	10/2002	Van Antwerp
D349,252 S	8/1994	Hurd	D469,107 S	1/2003	Miller et al.
D349,860 S	8/1994	Omuro	D469,109 S	1/2003	Andre et al.
D351,023 S	9/1994	Walters	6,513,532 B2	2/2003	Mault et al.
D354,921 S	1/1995	Narayanan	6,514,460 B1	2/2003	Fendrock
D360,151 S	7/1995	Kim	D471,280 S	3/2003	Jaeck
D360,840 S	8/1995	Brockway	D472,245 S	3/2003	Andre et al.
D360,841 S	8/1995	Stevens	D473,310 S	4/2003	Schlagheck et al.
D363,237 S	10/1995	Alaise	6,562,625 B2	5/2003	Modzelewski et al.
D363,287 S	10/1995	Laituri	D476,911 S	7/2003	Chen
D364,105 S	11/1995	Omuro	D477,540 S	7/2003	Chen
D366,042 S	1/1996	Laituri	D478,053 S	8/2003	Andre et al.
D366,463 S	1/1996	Ive et al.	6,604,050 B2	8/2003	Trippel et al.
D368,264 S	3/1996	Ive et al.	D481,963 S	11/2003	Onuma et al.
D369,563 S	5/1996	Mechan	D482,452 S	11/2003	Davey et al.
D371,517 S	7/1996	Narayanan	D483,680 S	12/2003	Chen
D371,605 S	7/1996	Wong et al.	D484,818 S	1/2004	Krieter
D371,748 S	7/1996	Narayanan	D491,084 S	6/2004	Olson
D373,121 S	8/1996	Deiulis et al.	D491,822 S	6/2004	Holbein
D374,405 S	10/1996	Rawsthorne	6,743,635 B2	6/2004	Neel et al.
D381,280 S	7/1997	Tomiyama et al.	D495,418 S	8/2004	Rounds et al.
D382,498 S	8/1997	Warwick	D497,618 S	10/2004	Andre et al.
5,665,215 A	9/1997	Bussmann et al.	6,810,290 B2	10/2004	Lebel et al.
5,695,623 A	12/1997	Michel et al.	D499,805 S	12/2004	D'Agostino
D390,139 S	2/1998	Tomiyama et al.	6,837,858 B2	1/2005	Cunningham et al.
D393,313 S	4/1998	Meisner et al.	D503,119 S	3/2005	Motomizu
D395,020 S	6/1998	Reichow	D504,074 S	4/2005	Tsujimura
D395,242 S	6/1998	Yamakoshi	D504,334 S	4/2005	Tsujimura
D396,657 S	8/1998	Nagai et al.	D505,950 S	6/2005	Summit et al.
D401,520 S	11/1998	Beha	D506,476 S	6/2005	Andre et al.
D401,522 S	11/1998	Ueda et al.	D506,832 S	6/2005	Neel
D407,031 S	3/1999	Bourgeois	D507,657 S	7/2005	Neel
D413,538 S	9/1999	Chen	D508,028 S	8/2005	Deubler et al.
D414,125 S	9/1999	Chen	D508,215 S	8/2005	Grygo
D415,440 S	10/1999	Beadsworth	D508,862 S	8/2005	Behar et al.
D416,820 S	11/1999	Tanaka et al.	D509,451 S	9/2005	Tsujimura
D417,504 S	12/1999	Love et al.	6,946,299 B2	9/2005	Neel et al.
5,997,475 A	12/1999	Bortz	D510,287 S	10/2005	Chen
D419,894 S	2/2000	Luo et al.	D510,711 S	10/2005	Syme et al.
D419,895 S	2/2000	Nagashima et al.	6,953,693 B2	10/2005	Neel et al.
D421,229 S	2/2000	Imai	6,959,247 B2	10/2005	Neel et al.
D422,519 S	4/2000	Ueda et al.	D511,113 S	11/2005	Feldman et al.
D423,102 S	4/2000	Mertenat	6,964,871 B2	11/2005	Bell et al.
D423,960 S	5/2000	Tam	D512,655 S	12/2005	McGugan
D424,696 S	5/2000	Ray et al.	D513,598 S	1/2006	Bingham, Jr.
D428,493 S	7/2000	Radwanski et al.	D514,005 S	1/2006	Gregorec, Jr. et al.
D428,654 S	7/2000	Schlesinger et al.	D514,006 S	1/2006	Kaar et al.
D429,527 S	8/2000	Bolam et al.	D516,217 S	2/2006	Brown et al.
6,106,780 A	8/2000	Douglas et al.	6,997,344 B2	2/2006	Brown et al.
D430,499 S	9/2000	Sakakibara et al.	D516,576 S	3/2006	Ive et al.
D432,934 S	10/2000	Simbeck et al.	D518,290 S	4/2006	Andre et al.
6,136,610 A	10/2000	Polito et al.	D518,397 S	4/2006	Sydrowski et al.
D435,470 S	12/2000	Suh	D519,047 S	4/2006	Sydrowski et al.
D435,471 S	12/2000	Simbeck et al.	7,022,072 B2	4/2006	Fox et al.
D435,796 S	1/2001	Tomiyama et al.	7,024,236 B2	4/2006	Ford et al.
D437,058 S	1/2001	Gozani et al.	D519,864 S	5/2006	Bingham, Jr. et al.
			D520,388 S	5/2006	Sydrowski et al.
			D520,391 S	5/2006	Motomizu et al.

# US D612,279 S

D520,888 S	5/2006	Sydowski et al.	2003/0032868 A1	2/2003	Graskov et al.
D520,893 S	5/2006	Sato	2003/0055406 A1	3/2003	Lebel et al.
D521,402 S	5/2006	Kobayakawa	2003/0060765 A1	3/2003	Campbell et al.
7,037,196 B2	5/2006	Kobayashi et al.	2003/0065308 A1	4/2003	Lebel et al.
D522,656 S	6/2006	Orr et al.	2003/0111357 A1	6/2003	Black
D522,657 S	6/2006	Murphy et al.	2003/0125612 A1	7/2003	Fox et al.
D527,176 S	8/2006	Andre et al.	2003/0138356 A1	7/2003	Gilmour et al.
D527,723 S	9/2006	Andre et al.	2003/0144582 A1	7/2003	Cohen et al.
D528,933 S	9/2006	Hunter et al.	2003/0163088 A1	8/2003	Blomquist
D529,044 S	9/2006	Andre et al.	2003/0203498 A1	10/2003	Neel et al.
D530,340 S	10/2006	Andre et al.	2003/0208113 A1	11/2003	Mault et al.
D530,424 S	10/2006	Manser et al.	2003/0211617 A1	11/2003	Jones
D534,444 S	1/2007	Wallace	2003/0212379 A1	11/2003	Bylund et al.
D534,921 S	1/2007	Andre et al.	2004/0015102 A1	1/2004	Cummings et al.
D535,308 S	1/2007	Andre et al.	2004/0038411 A1	2/2004	Hayter et al.
7,160,251 B2	1/2007	Neel et al.	2004/0039255 A1	2/2004	Simonsen et al.
7,179,226 B2	2/2007	Crothall et al.	2004/0048394 A1	3/2004	Kirchhevel
7,181,350 B2	2/2007	Oberding et al.	2004/0057340 A1	3/2004	Charles-Erickson et al.
D538,822 S	3/2007	Andre et al.	2004/0058433 A1	3/2004	Yu et al.
D539,680 S	4/2007	Liu et al.	2004/0059201 A1	3/2004	Ginsberg
D539,814 S	4/2007	Andre et al.	2004/0069793 A1	4/2004	Brown et al.
D541,297 S	4/2007	Andre et al.	2004/0079653 A1	4/2004	Karinka et al.
D541,298 S	4/2007	Andre et al.	2004/0094432 A1	5/2004	Neel et al.
D541,299 S	4/2007	Andre et al.	2004/0094433 A1	5/2004	Neel et al.
D542,306 S	5/2007	Andre et al.	2004/0096991 A1	5/2004	Zhang
D542,681 S	5/2007	Young	2004/0099540 A1	5/2004	Neel et al.
D542,808 S	5/2007	Andre et al.	2004/0104131 A1	6/2004	Neel et al.
7,223,235 B2	5/2007	Brown et al.	2004/0106855 A1	6/2004	Brown
7,223,236 B2	5/2007	Brown et al.	2004/0107116 A1	6/2004	Brown
D543,878 S	6/2007	Castillo	2004/0117207 A1	6/2004	Brown
D544,385 S	6/2007	Ozawa	2004/0117208 A1	6/2004	Brown
D545,436 S	6/2007	Padain	2004/0117209 A1	6/2004	Brown
D545,438 S	6/2007	Huang et al.	2004/0117210 A1	6/2004	Brown
D545,705 S	7/2007	Voegel	2004/0118704 A1	6/2004	Wang et al.
D546,216 S	7/2007	Bolognesi	2004/0153585 A1	8/2004	Kawatahara et al.
D546,218 S *	7/2007	Grasso et al. .... D10/81	2004/0157339 A1	8/2004	Nurke et al.
D546,456 S	7/2007	May	2004/0172284 A1	9/2004	Sullivan et al.
D546,457 S	7/2007	Hannant et al.	2004/0182703 A1	9/2004	Bell et al.
D546,458 S	7/2007	Hannant	2004/0197935 A1	10/2004	Forrow et al.
D546,952 S	7/2007	May	2004/0199409 A1	10/2004	Brown
D547,216 S	7/2007	Rounds et al.	2004/0217019 A1	11/2004	Cai et al.
7,241,265 B2	7/2007	Cummings et al.	2004/0219694 A1	11/2004	Chittock et al.
D548,347 S	8/2007	Ichino et al.	2004/0223877 A1	11/2004	Kim et al.
D548,744 S	8/2007	Andre et al.	2004/0259180 A1	12/2004	Burke et al.
D548,745 S	8/2007	Andre et al.	2005/0009126 A1	1/2005	Andrews et al.
D548,746 S	8/2007	Andre et al.	2005/0019848 A1	1/2005	Lee et al.
D548,747 S	8/2007	Andre et al.	2005/0033603 A1	2/2005	Suzuki et al.
D549,237 S	8/2007	Andre et al.	2005/0038332 A1	2/2005	Saidara et al.
7,256,714 B2	8/2007	Philipp et al.	2005/0045476 A1	3/2005	Neel et al.
7,258,666 B2	8/2007	Brown et al.	2005/0049179 A1	3/2005	Davidson et al.
D550,364 S	9/2007	Glover et al.	2005/0056539 A1	3/2005	Morgan et al.
D551,252 S	9/2007	Andre et al.	2005/0059895 A1	3/2005	Brown
D551,578 S	9/2007	Kuriger et al.	2005/0065760 A1	3/2005	Murtfeldt et al.
D551,680 S	9/2007	Andre et al.	2005/0067277 A1	3/2005	Pierce et al.
7,264,591 B2	9/2007	Brown et al.	2005/0074368 A1	4/2005	Moller et al.
D553,129 S	10/2007	Andre et al.	2005/0080652 A1	4/2005	Brown
7,276,146 B2	10/2007	Wilsey	2005/0086083 A1	4/2005	Brown
7,276,147 B2	10/2007	Wilsey	2005/0109618 A1	5/2005	Davies
D555,525 S *	11/2007	Chong et al. .... D10/78	2005/0133368 A1	6/2005	Davies et al.
D556,155 S	11/2007	Andre et al.	2005/0137530 A1	6/2005	Campbell et al.
D557,234 S	12/2007	Kim et al.	2005/0139469 A1	6/2005	Davies et al.
7,323,141 B2	1/2008	Kirchhevel et al.	2005/0143675 A1	6/2005	Neel et al.
D561,905 S	2/2008	Ramel et al.	2005/0143864 A1	6/2005	Blomquist
D570,717 S *	6/2008	Elrod .... D10/78	2005/0161344 A1	7/2005	Kermani et al.
2001/0011224 A1	8/2001	Brown	2005/0163657 A1	7/2005	Childers et al.
2001/0056328 A1	12/2001	Trippel et al.	2005/0176153 A1	8/2005	Ohara et al.
2002/0047867 A1	4/2002	Mault et al.	2005/0183965 A1	8/2005	Davies et al.
2002/0068157 A1	6/2002	Wischerhoff	2005/0192492 A1	9/2005	Cho et al.
2002/0109600 A1	8/2002	Mault et al.	2005/0197553 A1	9/2005	Cooper
2002/0170823 A1	11/2002	Housefield et al.	2005/0227370 A1	10/2005	Ramel et al.
2003/0021729 A1	1/2003	Moller et al.	2005/0239156 A1	10/2005	Drucker et al.
2003/0032190 A1	2/2003	Brown et al.	2005/0240119 A1	10/2005	Draudt et al.
2003/0032867 A1	2/2003	Crothall et al.	2005/0240444 A1	10/2005	Wooten et al.

2005/0245904	A1	11/2005	Estes et al.	2007/0289881	A1	12/2007	Forrow et al.
2005/0256739	A1	11/2005	Brown	2007/0299321	A1	12/2007	Brown
2005/0260769	A1	11/2005	Jonsson et al.	2008/0011059	A1	1/2008	Davies et al.
2005/0287499	A1	12/2005	Yeager	2008/0023326	A1	1/2008	Forrow et al.
2006/0004611	A1	1/2006	Brown	2008/0026473	A1	1/2008	Wang et al.
2006/0009705	A1	1/2006	Brown	2008/0035478	A1	2/2008	Wegner et al.
2006/0009706	A1	1/2006	Brown	2008/0039885	A1	2/2008	Purcell
2006/0010014	A1	1/2006	Brown	2008/0045825	A1	2/2008	Melker et al.
2006/0064035	A1	3/2006	Wang et al.	2008/0073207	A1	3/2008	Teodorczyk et al.
2006/0074324	A1	4/2006	Wu et al.	2008/0114228	A1	5/2008	McCluskey et al.
2006/0080152	A1	4/2006	Brown	2008/0171967	A1	7/2008	Blomquist et al.
2006/0100910	A1	5/2006	Brown	2008/0172026	A1	7/2008	Blomquist
2006/0132292	A1	6/2006	Blomquist	2008/0172027	A1	7/2008	Blomquist
2006/0144704	A1	7/2006	Ghesquiere et al.	2008/0172028	A1	7/2008	Blomquist
2006/0178914	A1	8/2006	Brown	2008/0172029	A1	7/2008	Blomquist
2006/0191787	A1	8/2006	Wang et al.	2008/0172030	A1	7/2008	Blomquist
2006/0201805	A1	9/2006	Forrow et al.	2008/0172031	A1	7/2008	Blomquist
2006/0229502	A1	10/2006	Pollock et al.	2008/0177149	A1	7/2008	Weinert et al.
2006/0231421	A1	10/2006	Diamond et al.	2008/0194934	A1	8/2008	Ray et al.
2006/0231423	A1	10/2006	Harding et al.				
2006/0247951	A1	11/2006	Brown				
2006/0260940	A1	11/2006	McAleer et al.				
2006/0279431	A1	12/2006	Bakarania et al.				
2006/0286620	A1	12/2006	Werner et al.				
2007/0025877	A1	2/2007	Hansen				
2007/0048878	A1	3/2007	Carroll et al.				
2007/0061167	A1	3/2007	Brown				
2007/0065342	A1	3/2007	Brown et al.				
2007/0087397	A1	4/2007	Kraft et al.				
2007/0094049	A1	4/2007	Brown				
2007/0100665	A1	5/2007	Brown				
2007/0118403	A1	5/2007	Brown				
2007/0118404	A1	5/2007	Brown				
2007/0118588	A1	5/2007	Brown				
2007/0118589	A1	5/2007	Brown				
2007/0167693	A1	7/2007	Scholler et al.				
2007/0170054	A2	7/2007	Wilsey				
2007/0170055	A2	7/2007	Wilsey				
2007/0179352	A1	8/2007	Randlov et al.				
2007/0213603	A1	9/2007	Brown				
2007/0213604	A1	9/2007	Brown				
2007/0213605	A1	9/2007	Brown				
2007/0213608	A1	9/2007	Brown				
2007/0218543	A1	9/2007	Flaherty et al.				
2007/0230155	A1	10/2007	Christol et al.				
2007/0231209	A1	10/2007	Cosentino et al.				
2007/0231846	A1	10/2007	Cosentino et al.				
2007/0255114	A1	11/2007	Ackermann et al.				
2007/0255123	A1	11/2007	Cummings et al.				
2007/0255126	A1	11/2007	Moberg et al.				
2007/0266871	A1	11/2007	Wegner et al.				
2007/0276209	A1	11/2007	Emoto et al.				
2007/0276621	A1	11/2007	Davies et al.				
2007/0281321	A1	12/2007	Nagale et al.				
2007/0287182	A1	12/2007	Morris et al.				
2007/0287895	A1	12/2007	Brown				
2007/0287985	A1	12/2007	Estes et al.				

## FOREIGN PATENT DOCUMENTS

EP	0290683	A2	11/1988
EP	0128054	B1	12/1988
EP	0883371	B1	10/2001
EP	1413245	A2	4/2004
EP	1144028	B1	6/2004
EP	1733678	A1	12/2006
GB	2159625	A	12/1985
TW	D567018		12/2003
TW	D100248		9/2004
WO	94/011831		5/1994
WO	02/024065		3/2002
WO	2004/008956	A2	1/2004
WO	04/056261	A1	7/2004
WO	2005/106446	A1	11/2005
WO	05/121785	A2	12/2005
WO	2005/112554	A2	12/2005
WO	2006/066038	A2	6/2006
WO	2006/072035	A1	7/2006
WO	2007/019384	A1	2/2007

## OTHER PUBLICATIONS

Owner's Booklet Manual del propietario, "OneTouch UltraMini Blood Glucose Monitoring System Sistema de supervision de glucos en sangre"; 2006 LifeScan, Inc. Milpitas, CA 95035 Rev. Apr. 2006.

Owner's Booklet, "Accu-Chek Advantage"; 2004 Roche Diagnostics, Indianapolis, IN 46256.

Owner's Booklet, "Accu-Check Advantage"; 2003 Roche diagnostics, Indianapolis, IN 46256.

Owner's Booklet, "Accu-Check Aviva Blood Glucose Meter" 2007 Roche Diagnostics, Indianapolis, IN 46256.

Owner's Booklet, "Accu-Chek Complete" Roche Diagnostics, Indianapolis, IN 46256.

Owner's Booklet, "OneTouch UltraSmart OneTouch changes everything" 2006 LifeScan, Inc., Milpitas, CA 95035 Rev. Apr. 2006.

\* cited by examiner

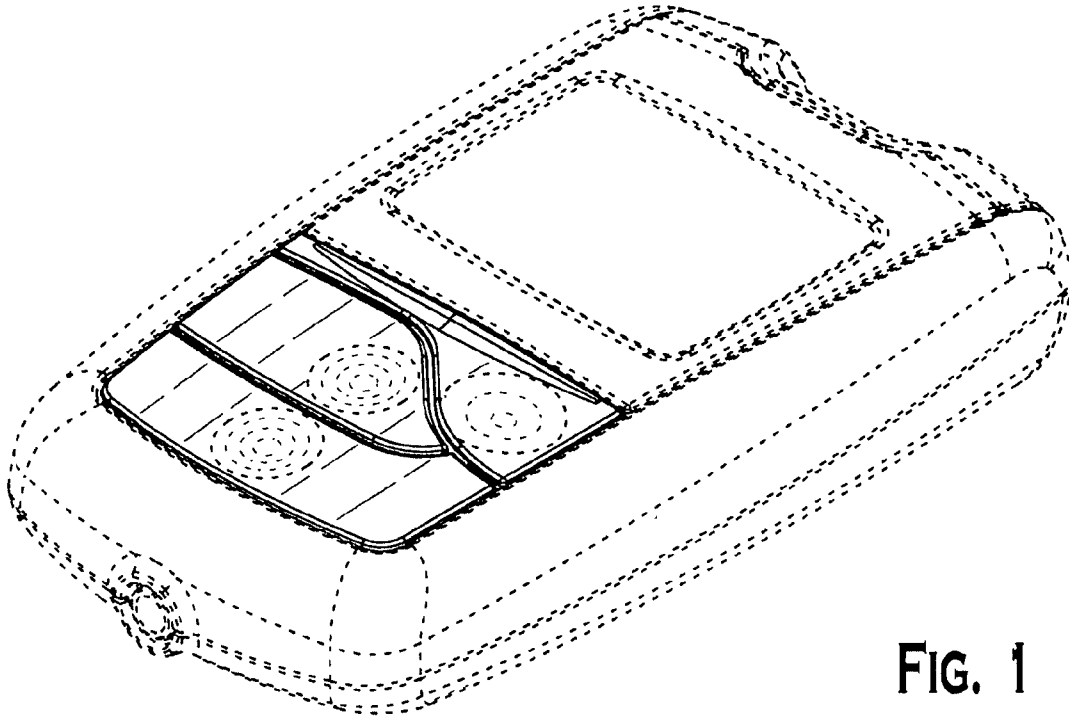


FIG. 1

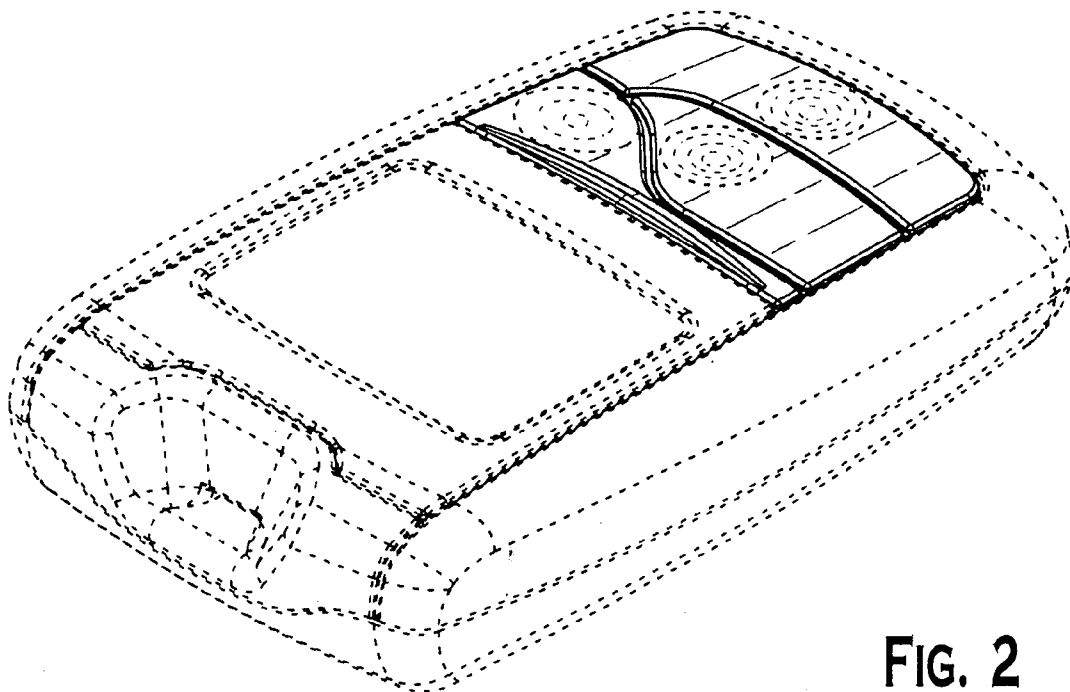
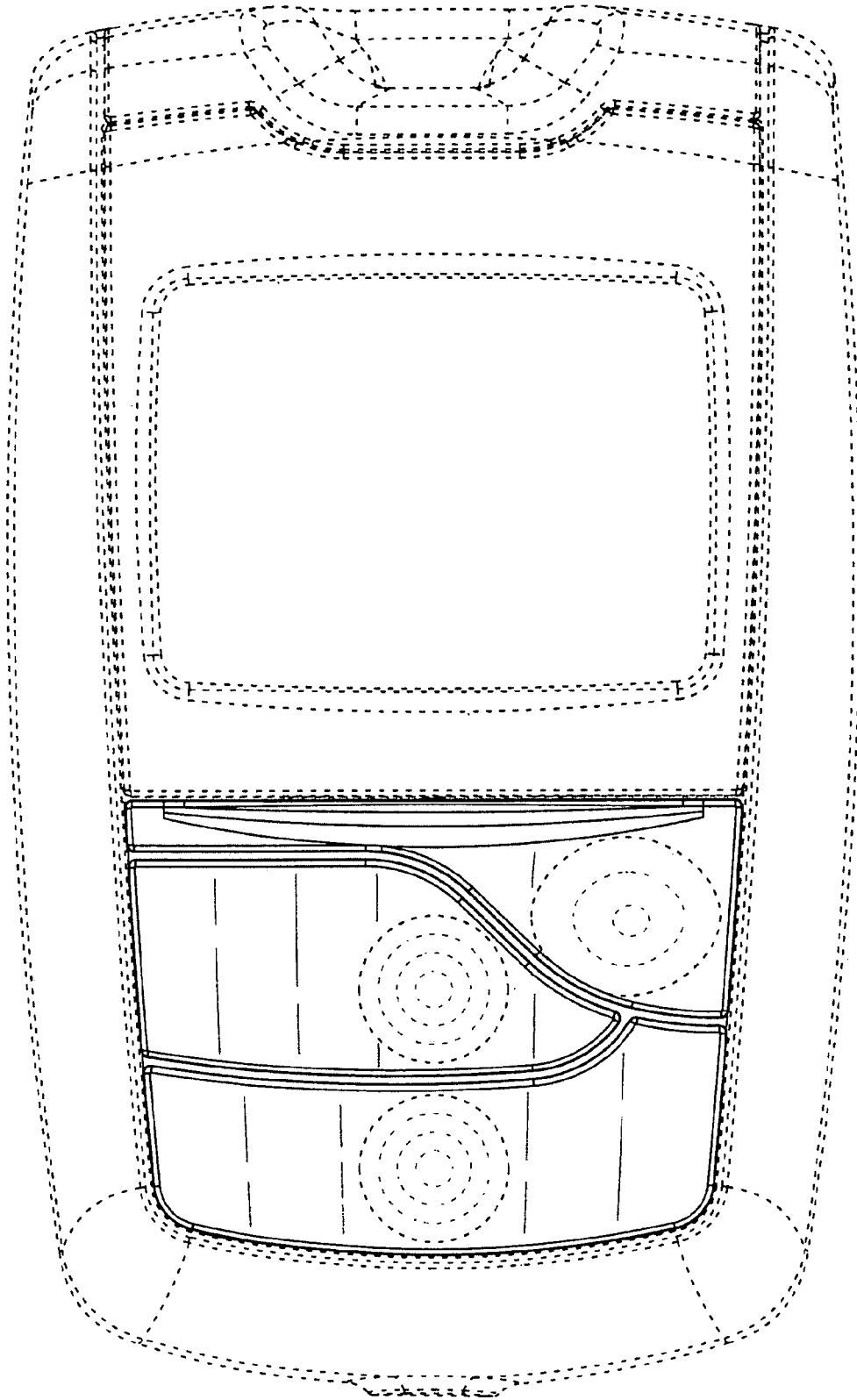


FIG. 2

FIG. 3



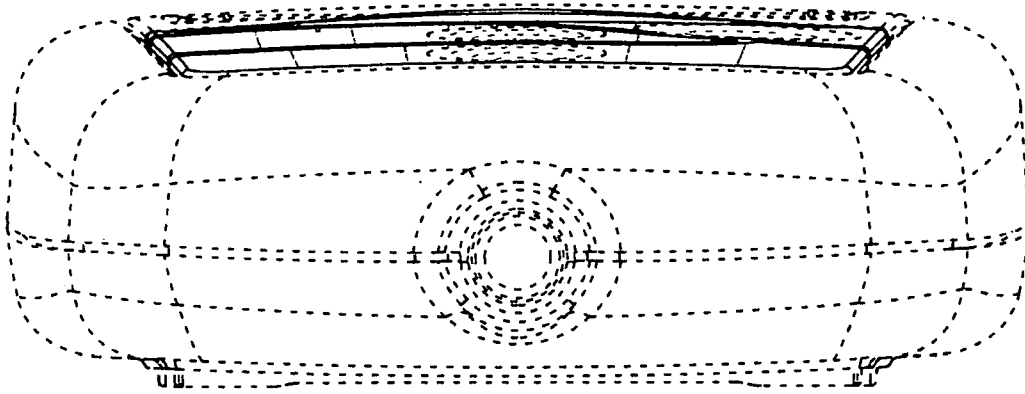


FIG. 4

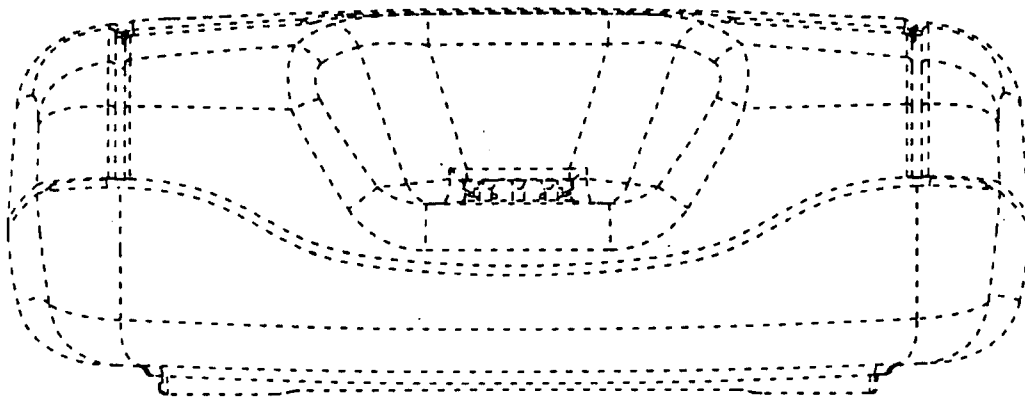


FIG. 5

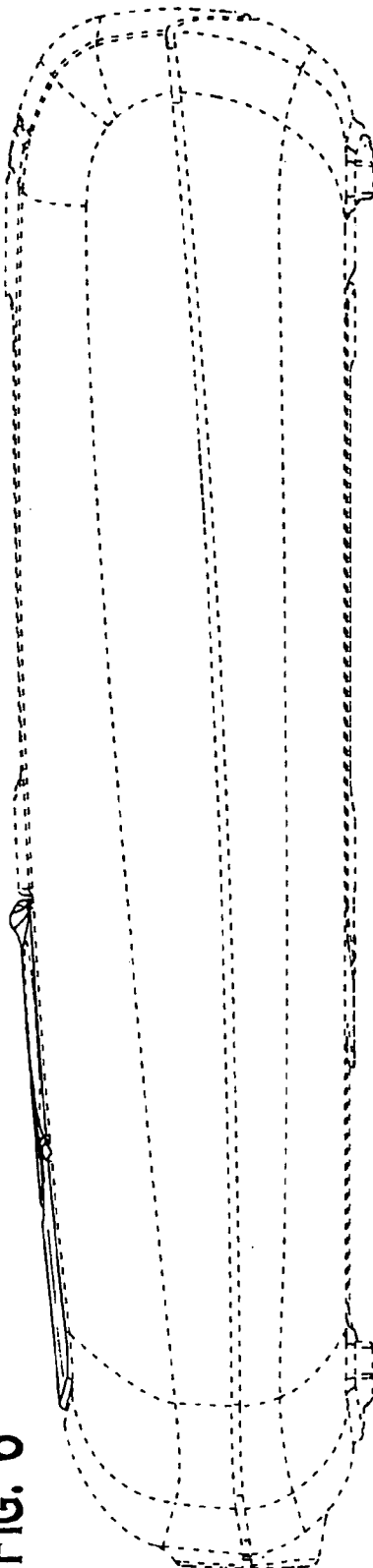


FIG. 6

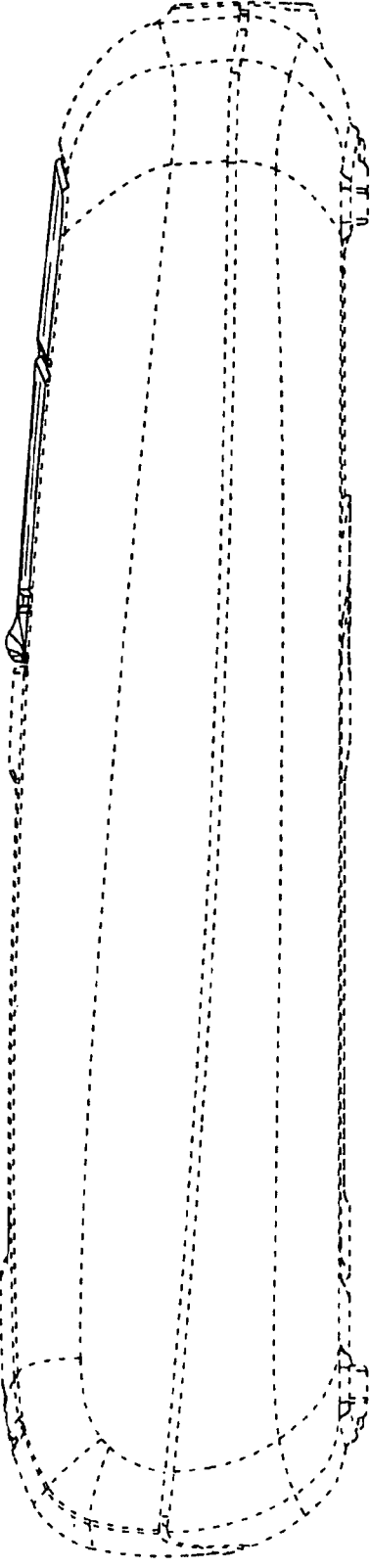


FIG. 7



FIG. 8

