



US00D686985S

(12) **United States Design Patent**
Henderson et al.

(10) **Patent No.:** **US D686,985 S**

(45) **Date of Patent:** **** Jul. 30, 2013**

(54) **ELECTRIC VEHICLE CHARGER**

(71) Applicant: **Delphi Technologies, Inc.**, Troy, MI (US)

(72) Inventors: **Richard A. Henderson**, Chardon, OH (US); **Ronald Henry Dybalski**, Oxford, MI (US); **Kevin M. Dunn**, Fernadale, MI (US)

(73) Assignee: **Delphi Technologies, Inc.**, Troy, MI (US)

(**) Term: **14 Years**

(21) Appl. No.: **29/437,833**

(22) Filed: **Nov. 21, 2012**

(51) **LOC (9) Cl.** **13-02**

(52) **U.S. Cl.**
USPC **D13/107**

(58) **Field of Classification Search**
USPC D13/107-110, 118-119, 184, 199; D14/217, D14/251, 253, 432, 434; 320/103-115
See application file for complete search history.

(56) **References Cited**

U.S. PATENT DOCUMENTS

D412,487 S	*	8/1999	Nagele et al.	D13/108
D454,837 S	*	3/2002	Ibuki et al.	D13/107
D467,538 S	*	12/2002	Kawasaki	D13/107
D477,824 S	*	7/2003	Taniguchi	D14/434
D483,725 S	*	12/2003	Thompson et al.	D13/184

D565,571 S	*	4/2008	Trifilio et al.	D14/434
D603,334 S	*	11/2009	Suzuki	D13/108
D628,201 S	*	11/2010	Tian et al.	D14/434
D632,645 S	*	2/2011	Blain	D13/107
D641,694 S	*	7/2011	Akahori et al.	D13/107
D654,862 S	*	2/2012	Holthusen	D13/107
D655,242 S	*	3/2012	Holthusen	D13/107
D669,026 S	*	10/2012	Oda et al.	D13/107
2012/0281392 A1	*	11/2012	Workman et al.	362/183

* cited by examiner

Primary Examiner — Rosemary K Tarcza

(74) *Attorney, Agent, or Firm* — Thomas N. Twomey

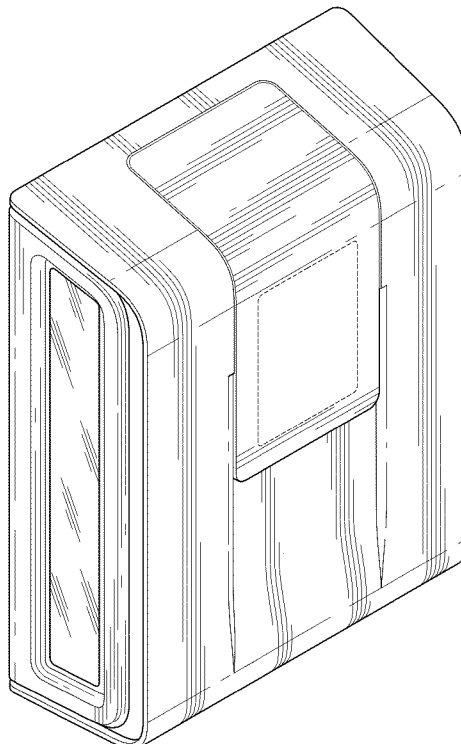
(57) **CLAIM**

The ornamental design for an electric vehicle charger, as shown and described.

DESCRIPTION

FIG. 1 is a perspective view of a left top side of an electric vehicle charger showing our new design; FIG. 2 is a perspective view of a right bottom side thereof; FIG. 3 is a front elevational view thereof; FIG. 4 is a left side elevational view thereof. The right side is a mirror image of the left side; FIG. 5 is a top plan view thereof; and, FIG. 6 is a bottom plan view thereof. The phantom lines shown in FIGS. 1-6 are included for the purpose of illustrating environmental structure and form no part of the claimed design.

1 Claim, 4 Drawing Sheets



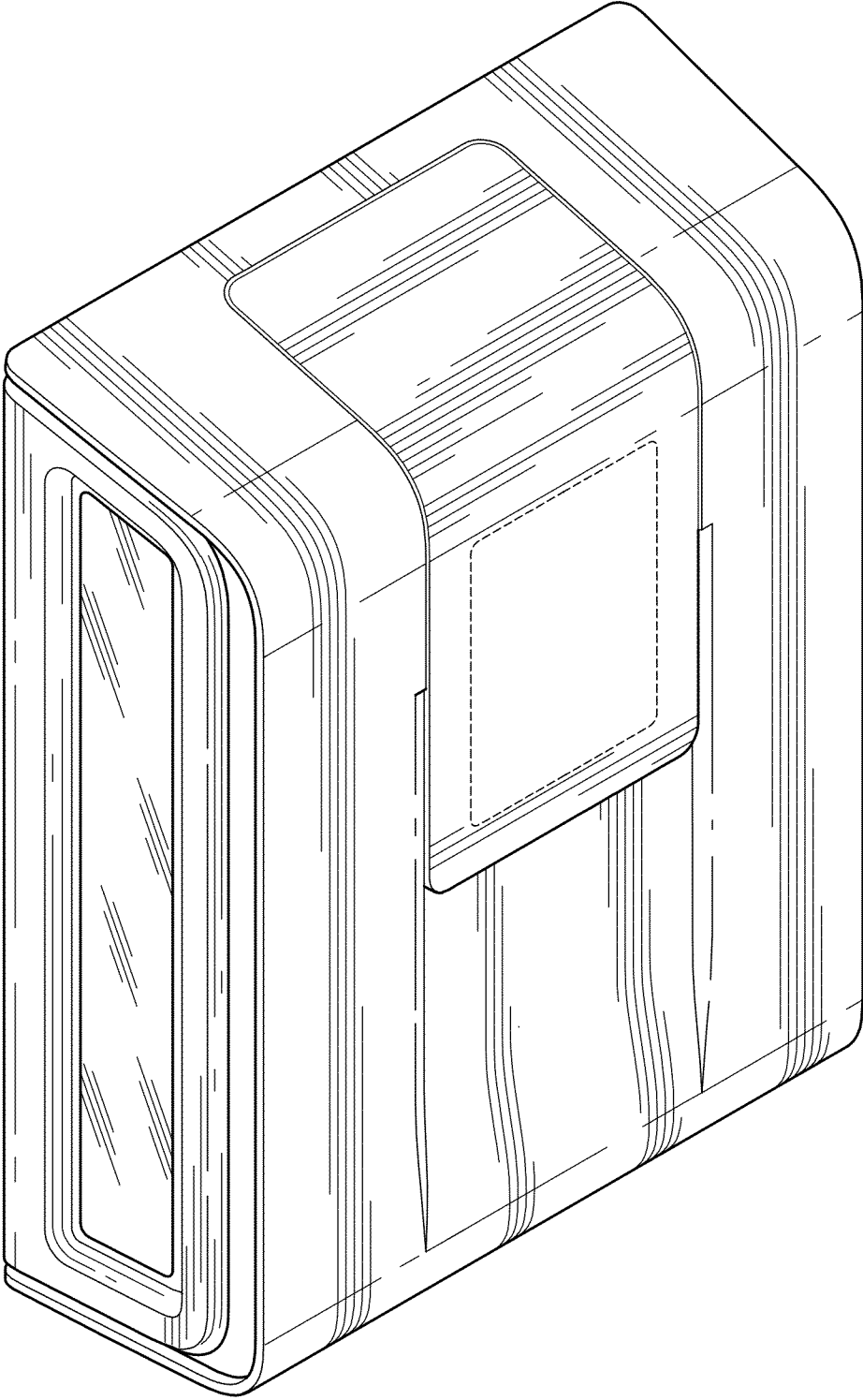


FIG. 1

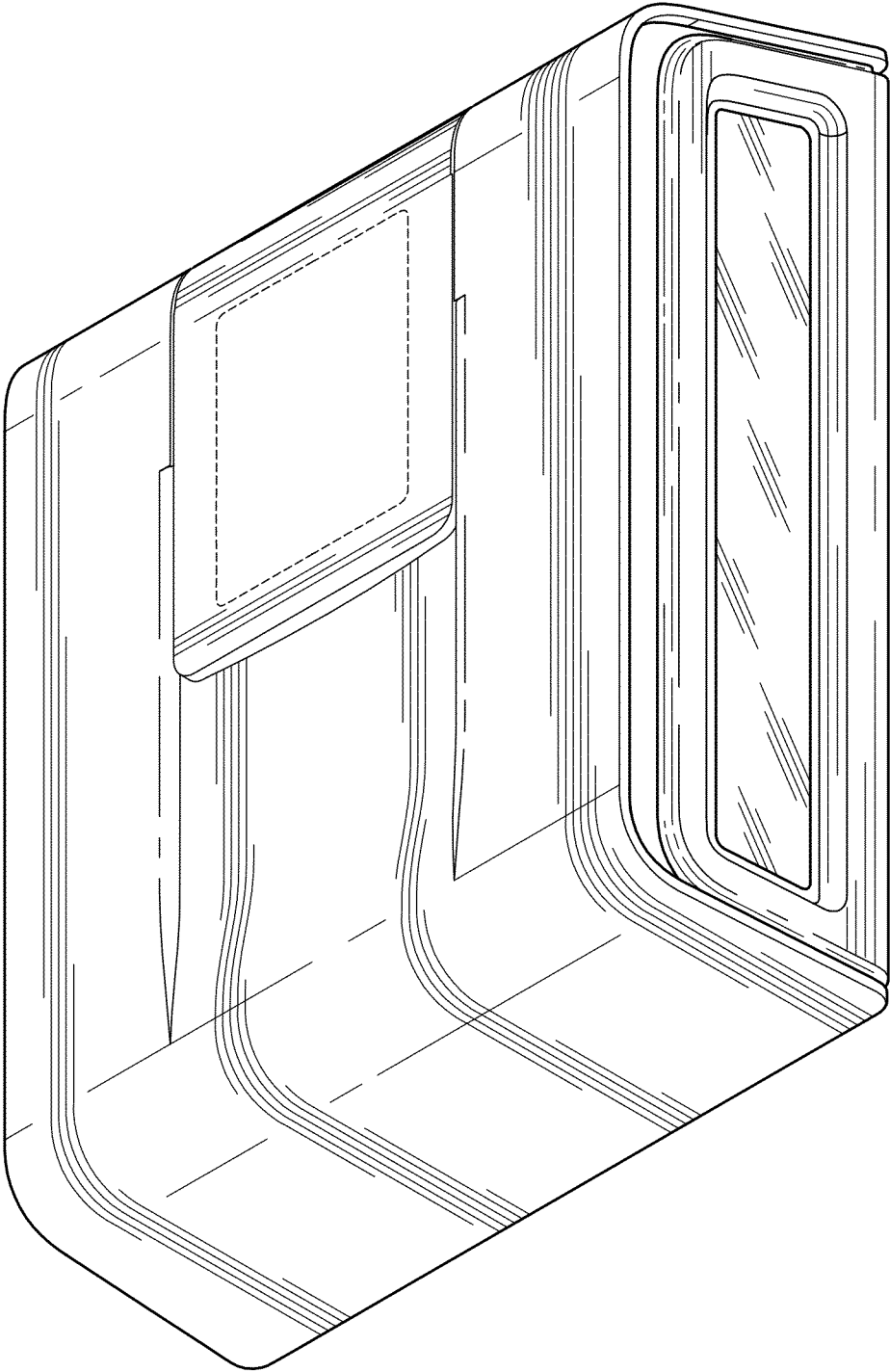


FIG. 2

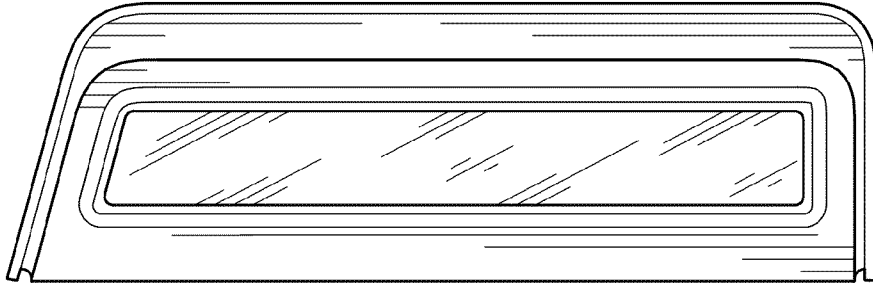


FIG. 4

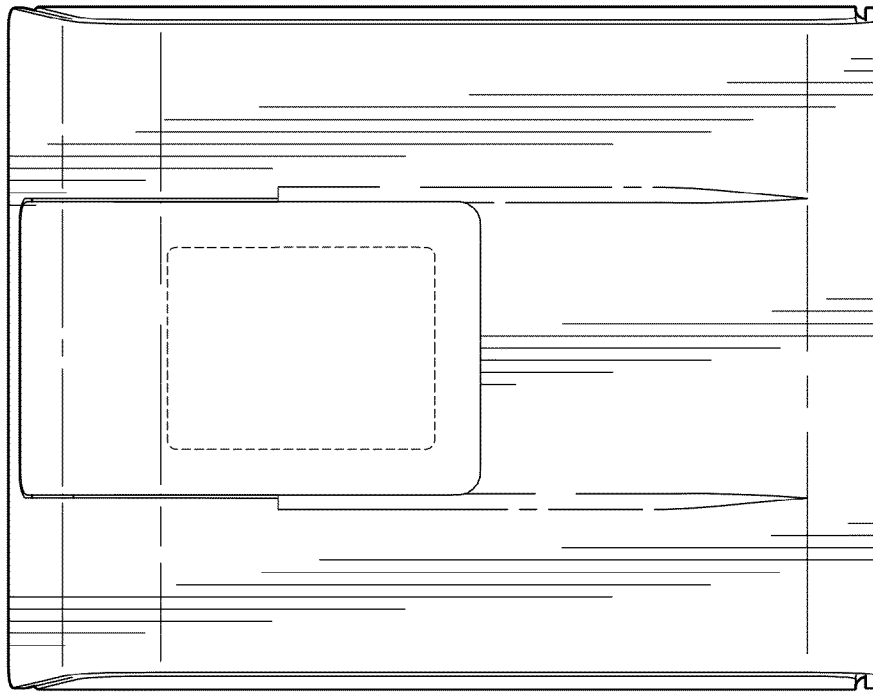


FIG. 3

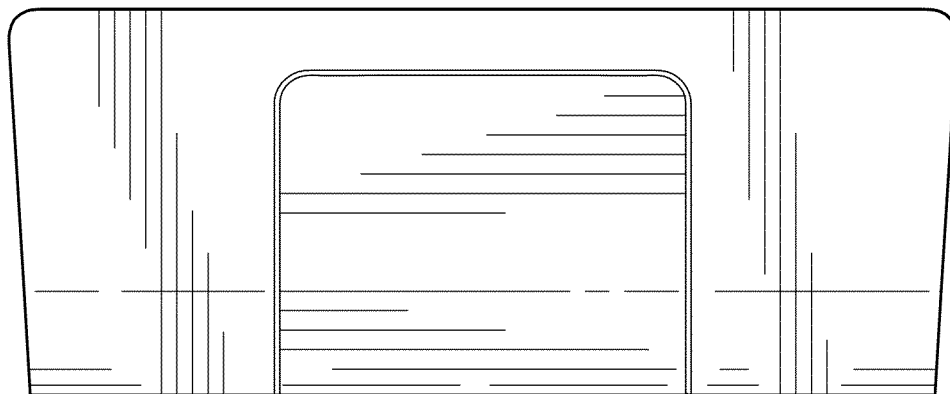


FIG. 5

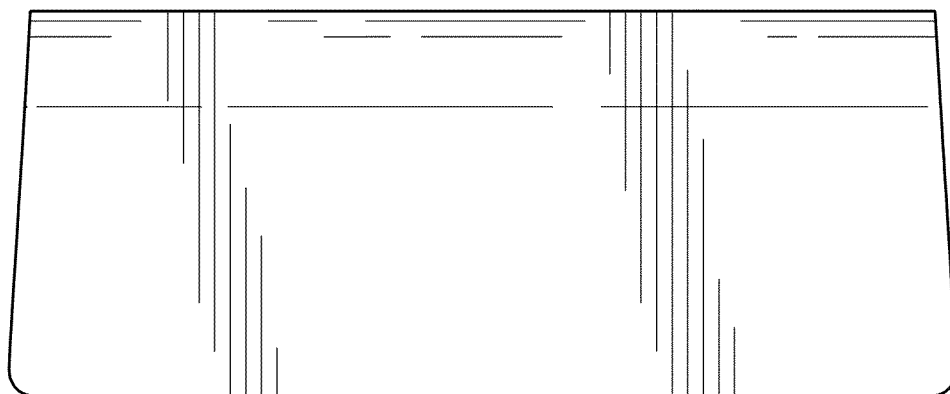


FIG. 6