



US00D910286S

(12) **United States Design Patent**  
**Maritan et al.**

(10) **Patent No.:** **US D910,286 S**

(45) **Date of Patent:** **\*\* Feb. 16, 2021**

(54) **FOOTWEAR**

(71) Applicant: **Crocs, Inc.**, Niwot, CO (US)

(72) Inventors: **Andrea Paolo Maritan**, Noventa Padovana (IT); **Federico Fongher**, Villatora di Saonara (IT)

(73) Assignee: **Crocs, Inc.**, Niwot, CO (US)

(\*\*) Term: **15 Years**

(21) Appl. No.: **29/679,743**

(22) Filed: **Feb. 8, 2019**

(51) **LOC (13) Cl.** ..... **02-04**

(52) **U.S. Cl.**  
USPC ..... **D2/916**

(58) **Field of Classification Search**  
USPC ..... D2/896-900, 916-926, 946, 969  
CPC ..... A43B 3/12; A43B 3/10; A43B 3/102-106  
See application file for complete search history.

(56) **References Cited**

**U.S. PATENT DOCUMENTS**

3,577,662 A	5/1971	Fukuoka	
3,596,381 A	8/1971	Fukuoka	
4,453,322 A *	6/1984	Marsh	A43B 3/128
			36/11.5
D281,735 S *	12/1985	Seltzer	36/141
D563,089 S	3/2008	Andersen et al.	
D576,387 S	9/2008	del Biondi et al.	
D622,048 S	8/2010	Issler	
D719,323 S	12/2014	Santos	
D732,806 S *	6/2015	Maritan	D2/916
D746,557 S	1/2016	Engerman	
D759,949 S	6/2016	Schwartz	
D771,915 S	11/2016	Schwartz	
D783,955 S	4/2017	Fullerton et al.	

D783,956 S	4/2017	Mitchell et al.	
D827,991 S *	9/2018	Engerman	D2/916
2008/0005856 A1 *	1/2008	Hung	B29D 35/085
			12/146 B
2012/0096744 A1	4/2012	Goodsmith et al.	
2013/0145651 A1	6/2013	Bathum et al.	
2013/0255106 A1 *	10/2013	Cho	A43B 3/101
			36/101

**OTHER PUBLICATIONS**

FitFlop, "Women's Superjelly Twist Flip Flop," downloaded Jun. 2, 2020, <https://www.amazon.com/fitflop-womens-superjelly-twist-flip-flop/dp/B06xcvcxvt> (6 pages).  
Crocs Patricia Products Download, Internet Archive Wayback Machine, Jul. 26, 2009, <http://web.archive.org/web/20090726225733/http://shop.crocs.com:80/search.aspx?searchText=patricia>, printed Mar. 5, 2018 (1 page).

(Continued)

*Primary Examiner* — Rashida C. Walshon  
(74) *Attorney, Agent, or Firm* — Wilmer Cutler Pickering Hale and Dorr LLP

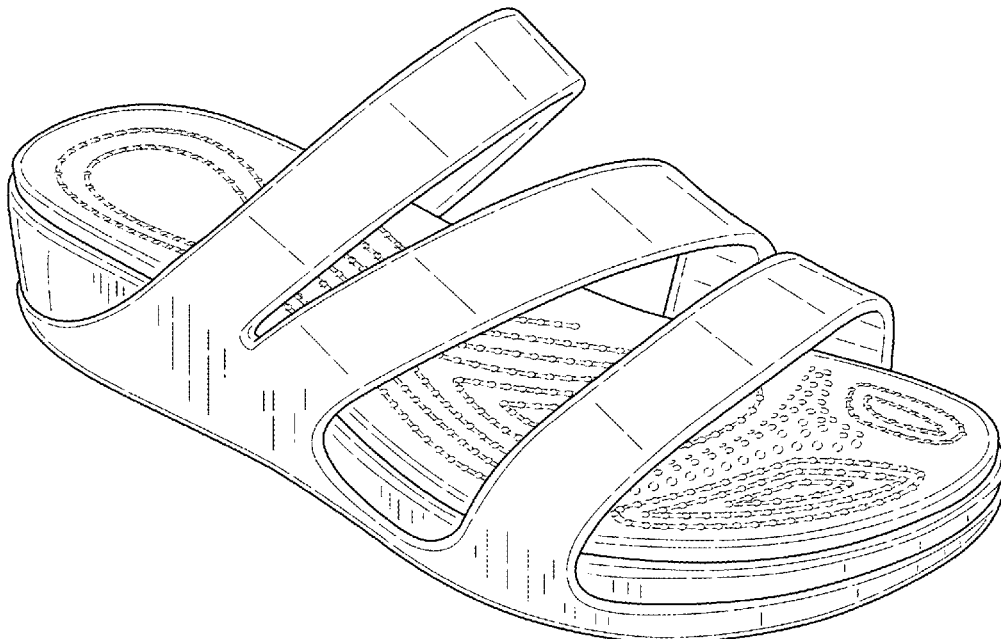
(57) **CLAIM**

The ornamental design for footwear, as shown and described.

**DESCRIPTION**

FIG. 1 is a front perspective view of footwear;  
FIG. 2 is a front view thereof;  
FIG. 3 is a back view thereof;  
FIG. 4 is an outer side elevational view thereof;  
FIG. 5 is an inner side elevational view thereof;  
FIG. 6 is a top view thereof; and,  
FIG. 7 is a bottom view thereof.  
The portions shown in dashed lines form no part of the claimed design.

**1 Claim, 7 Drawing Sheets**



(56)

**References Cited**

## OTHER PUBLICATIONS

Crocs Patricia Products Download, Internet Archive Wayback Machine, Feb. 28, 2009, <http://web.archive.org/web/20090228142108/http://www.crocs.com:80/products/new>, printed Mar. 5, 2018 (1 page).

Crocs Patricia Products Download, Internet Archive Wayback Machine, Feb. 28, 2009, <http://web.archive.org/web/20090228023946/http://crocs.com:80/>, printed Mar. 5, 2018 (1 page).

Crocs Patricia Products Download, Internet Archive Wayback Machine, Feb. 16, 2009, <http://web.archive.org/web/20090216223840/http://www.crocs.com/>, printed Mar. 5, 2018 (1 page).

Crocs Patricia Products Download, Internet Archive Wayback Machine, Jan. 26, 2011, <http://web.archive.org/web/20110126034747/http://www.crocs.com/womens-footwear-sandals/women-footwear-sandals.default.sc.html>, printed Mar. 5, 2018 (1 page).

Complaint and Jury Demand, *U.S.A. Dawgs, Inc. vs. Crocs, Inc. et al.*, (United States District Court, District of Nevada, 2:17-cv-02054, dated Jul. 27, 2017) (23 pages).

Defendants' Motion to Dismiss, *U.S.A. Dawgs, Inc. vs. Crocs, Inc. et al.*, (United States District Court, District of Nevada, 2:17-cv-02054-JCM-NJK, dated Aug. 21, 2017) (47 pages).

Defendants' Motion for Sanctions, *U.S.A. Dawgs, Inc. vs. Crocs, Inc. et al.*, (United States District Court, District of Nevada, 2:17-cv-02054-JCM-NJK, dated Sep. 6, 2017) (77 pages).

Patricia, posted at crocs.com, earliest date reviewed Sep. 30, 2010, [online], acquired on Jun. 7, 2017. Available from Internet, <URL: <http://www.crocs.com/p/crocs-patricia/10386.html?cgid=women-footwear&cid=060#&origin=category&srule=CatPosition-SearchPlacement-Revenue7day%2FSKUCoverage&start=11 &sz=36&prefn1 =VariationSize&prefv1 =&prefn2=ref> (1 page).

\* cited by examiner

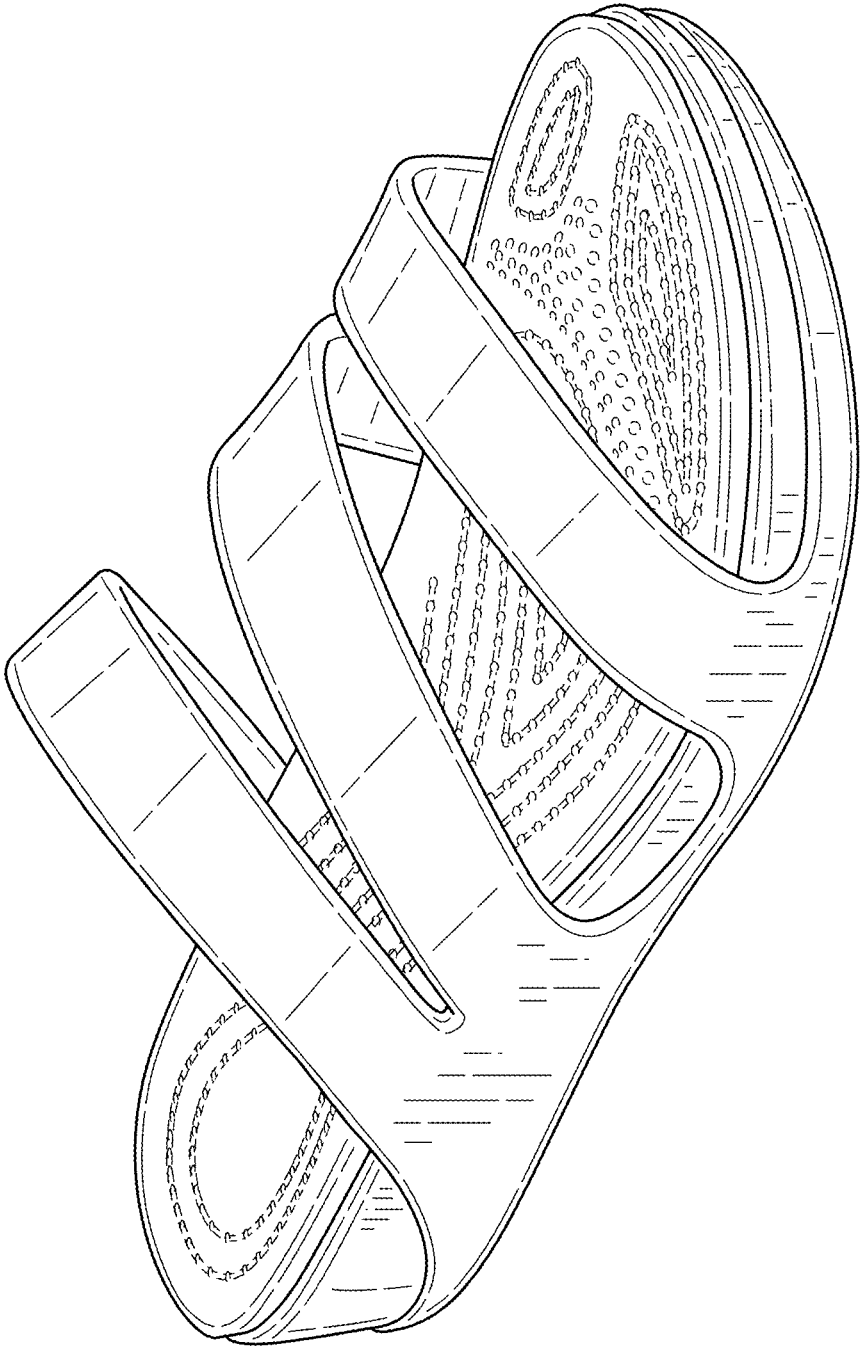


FIG.1

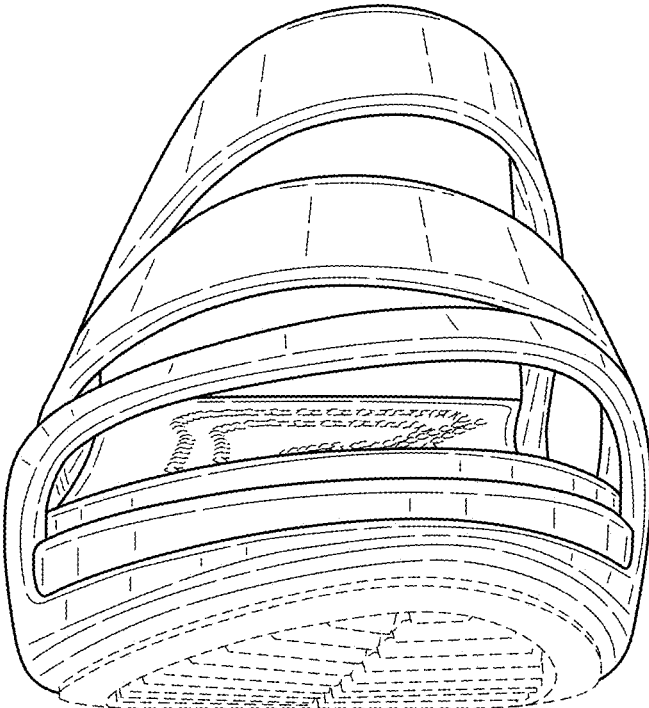


FIG.2

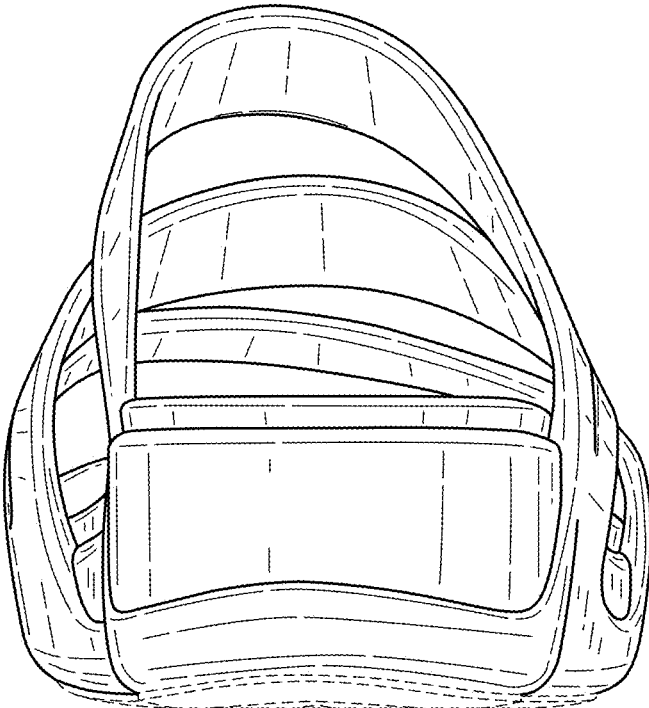


FIG.3

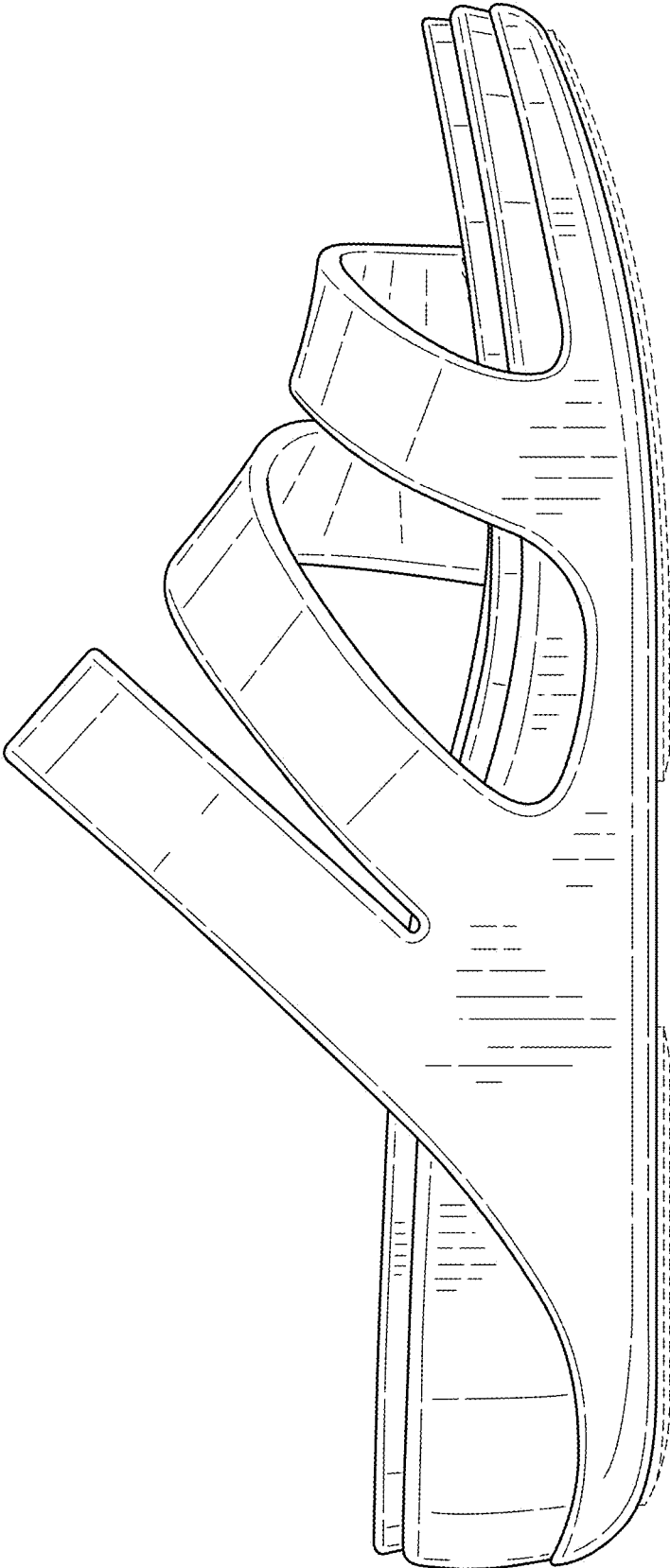


FIG.4

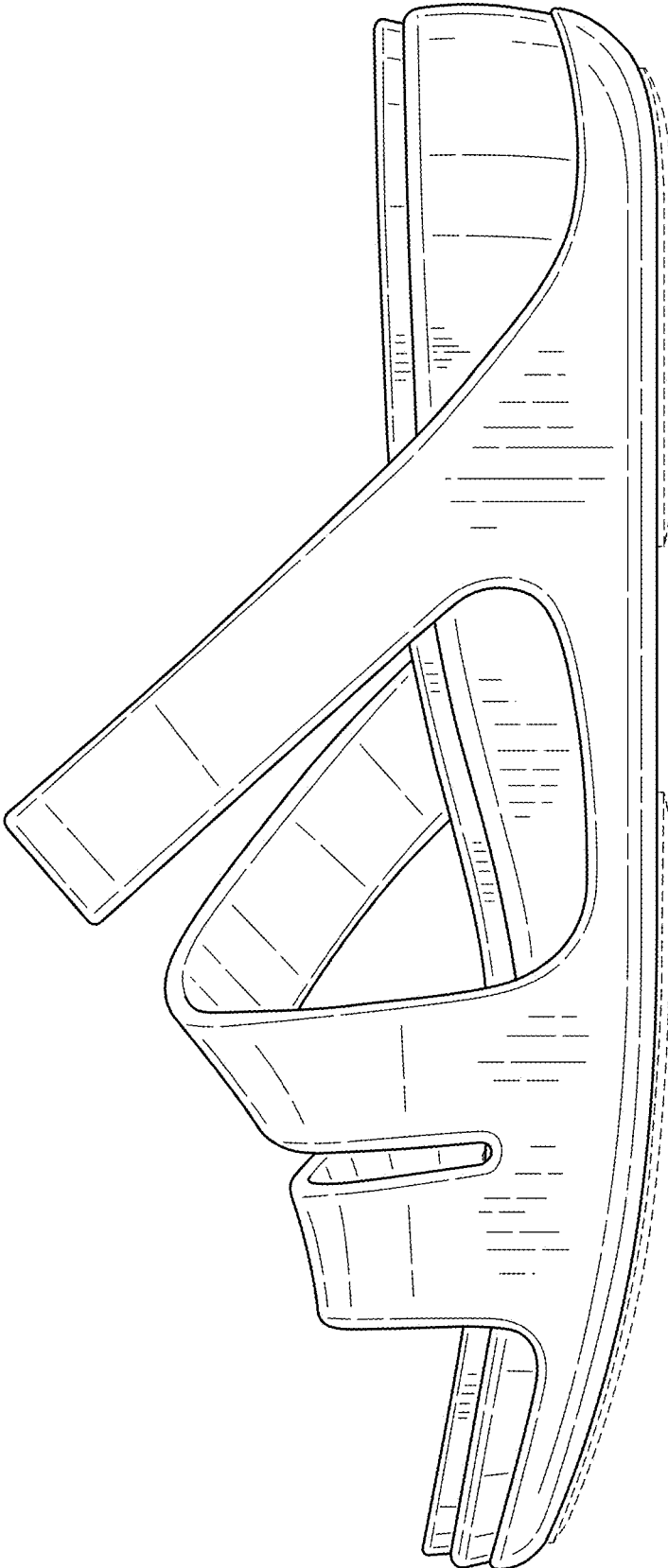


FIG.5

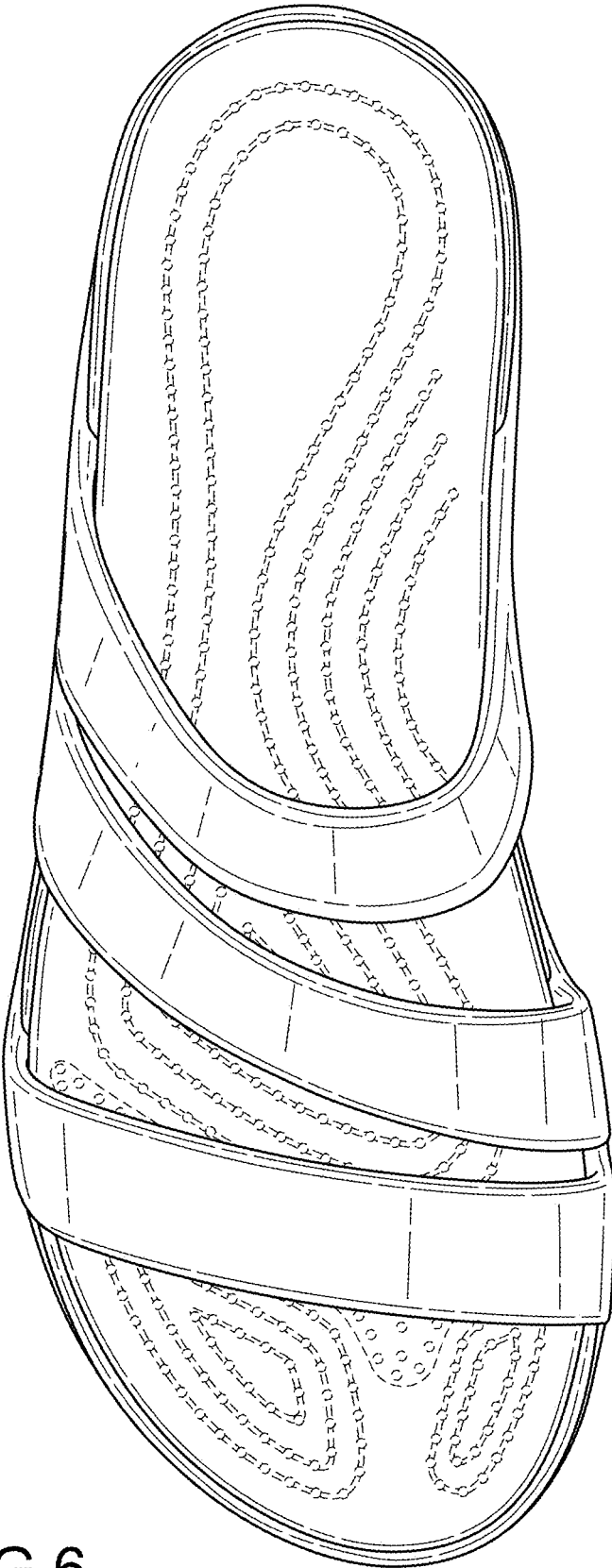


FIG.6

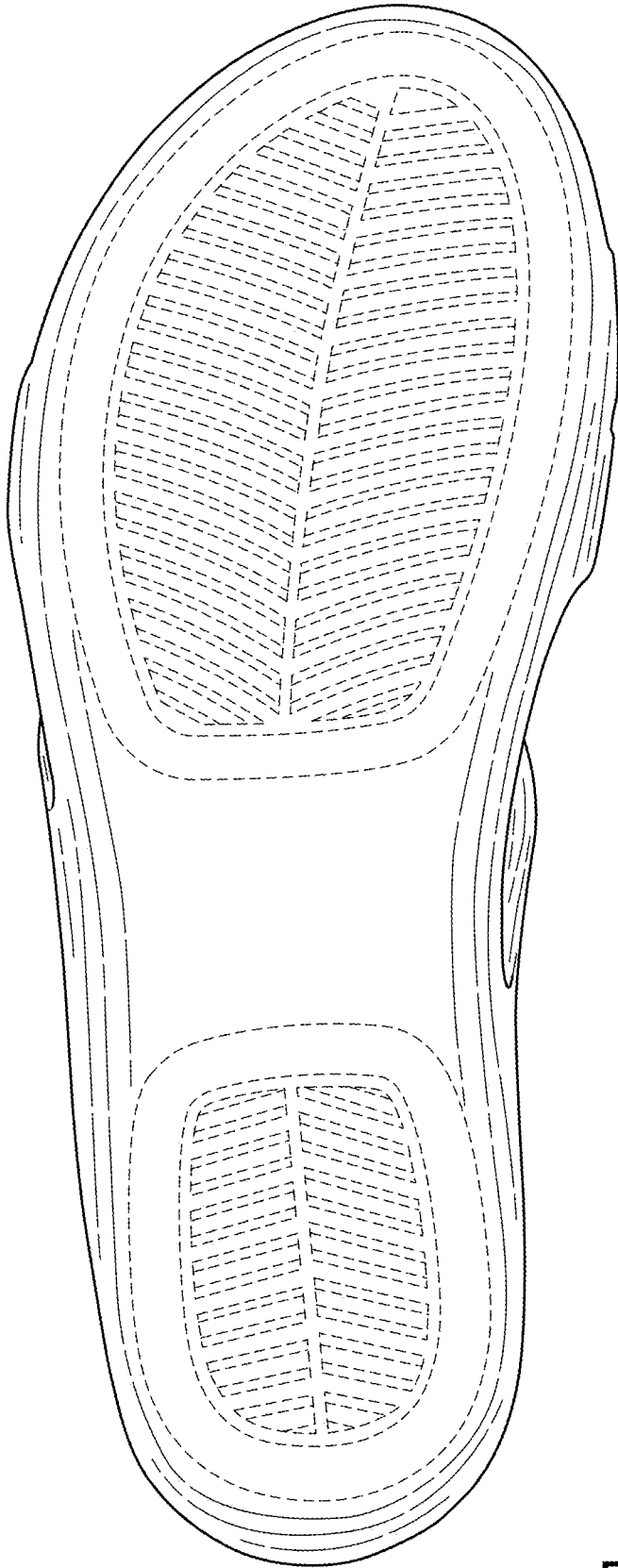


FIG.7