



US00D749009S

(12) **United States Design Patent**
Akana et al.

(10) **Patent No.:** **US D749,009 S**

(45) **Date of Patent:** **** Feb. 9, 2016**

(54) **LINK FOR BAND**

CPC A44C 5/02-5/246
See application file for complete search history.

(71) Applicant: **Apple Inc.**, Cupertino, CA (US)

(56) **References Cited**

(72) Inventors: **Jody Akana**, San Francisco, CA (US);
Bartley K. Andre, Palo Alto, CA (US);
Shota Aoyagi, San Francisco, CA (US);
Anthony Michael Ashcroft, San Francisco, CA (US); **Jeremy Bataillou**, San Francisco, CA (US); **Daniel J. Coster**, San Francisco, CA (US); **Daniele De Iuliis**, San Francisco, CA (US); **M. Evans Hankey**, San Francisco, CA (US); **Julian Hoening**, San Francisco, CA (US); **Richard P. Howarth**, San Francisco, CA (US); **Jonathan P. Ive**, San Francisco, CA (US); **Duncan Robert Kerr**, San Francisco, CA (US); **Marc A. Newson**, London (GB); **Matthew Dean Rohrbach**, San Francisco, CA (US); **Peter Russell-Clarke**, San Francisco, CA (US); **Benjamin Andrew Shaffer**, San Jose, CA (US); **Mikael Silvano**, San Francisco, CA (US); **Christopher J. Stringer**, Woodside, CA (US); **Eugene Antony Whang**, San Francisco, CA (US); **Rico Zörkendörfer**, San Francisco, CA (US)

U.S. PATENT DOCUMENTS

1,712,564 A 5/1929 Jones
1,712,582 A 5/1929 Renz

(Continued)

FOREIGN PATENT DOCUMENTS

CN 2613171 Y 4/2004
EP 1136010 B1 11/2003

(Continued)

OTHER PUBLICATIONS

etsy.com, "1 Set Silver End Cap Clasp—Findings Large Toggle Clasp End Caps Buckle Connector with Five Inside Loops for Jewelry Making 26mm," <<http://www.etsy.com/listing/101269004/1-set-silver-end-cap-clasp-findings?ref=market>>, Listed on Aug. 29, 2014, accessed Oct. 9, 2014.

(Continued)

Primary Examiner — Zenia Bennett

(74) *Attorney, Agent, or Firm* — Sterne, Kessler, Goldstein & Fox P.L.L.C.

(57) **CLAIM**

The ornamental design for a link for band, as shown and described.

DESCRIPTION

FIG. 1 is a front perspective view of a link for band showing our new design;
FIG. 2 is a rear perspective view thereof;
FIG. 3 is a front view thereof;
FIG. 4 is a rear view thereof;
FIG. 5 is a right side view thereof;
FIG. 6 is a left side view thereof;
FIG. 7 is a top view thereof; and,
FIG. 8 is a bottom view thereof.

1 Claim, 3 Drawing Sheets

(73) Assignee: **Apple Inc.**, Cupertino, CA (US)

(**) Term: **14 Years**

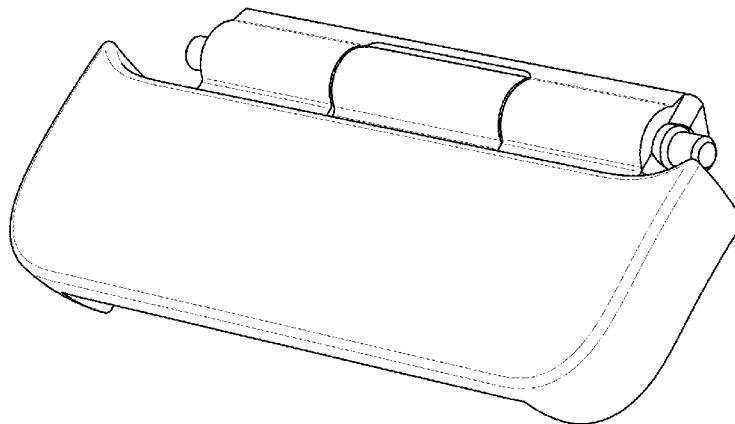
(21) Appl. No.: **29/501,760**

(22) Filed: **Sep. 8, 2014**

(51) **LOC (10) Cl.** **11-01**

(52) **U.S. Cl.** **D11/94**
USPC **D11/94**

(58) **Field of Classification Search**
USPC D11/1-25, 32, 93, 94; 59/78, 79.2;
63/1.11, 3, 3.1, 3.2, 5.1, 5.2, 7-11;
224/175; D10/30-32



(56)

References Cited

U.S. PATENT DOCUMENTS

1,738,407	A	12/1929	Tost	
1,740,894	A	12/1929	Johnson	
1,760,662	A	5/1930	Prestinari	
1,764,440	A	6/1930	Gammell et al.	
1,784,582	A	12/1930	Doppenschmitt	
1,786,943	A	12/1930	Gammell	
3,030,686	A	4/1962	Burkhardt	
3,372,500	A	3/1968	Claude	
3,665,565	A *	5/1972	Kruger	24/265 WS
3,675,284	A *	7/1972	Rieth	24/265 B
3,914,933	A	10/1975	Carlone	
3,994,126	A	11/1976	Rieth	
D249,244	S	9/1978	Salter	
4,125,920	A	11/1978	Grimes	
D250,634	S	12/1978	Porsche	
D251,829	S	5/1979	Sulek	
D256,568	S	8/1980	Young	
4,266,400	A	5/1981	Tabata	
D287,705	S	1/1987	Malamoud	
4,681,461	A	7/1987	Gogniat	
D293,302	S *	12/1987	Schoepfer	D11/3
D308,852	S *	6/1990	Wakamatsu	D11/5
5,239,521	A	8/1993	Blonder	
D339,309	S	9/1993	Butler	
5,363,351	A	11/1994	Carney	
5,441,686	A	8/1995	Jackl et al.	
D408,301	S	4/1999	Porsche et al.	
D424,952	S	5/2000	Porsche et al.	
6,101,842	A	8/2000	Delacretaz	
6,198,698	B1	3/2001	Graves	
D473,818	S *	4/2003	Salvisberg	D11/93
D474,125	S *	5/2003	Haquet	D11/12
D488,392	S	4/2004	Tschumi	
D494,098	S	8/2004	Cohen	
6,782,690	B2	8/2004	Kwan	
D498,694	S *	11/2004	Calvani	D11/16
7,013,631	B2	3/2006	Carrola	
D562,723	S *	2/2008	Lalo	D11/94
D581,811	S	12/2008	Messmer et al.	
D583,270	S *	12/2008	Gueit	D11/3
D584,170	S	1/2009	Morrison	
D588,472	S	3/2009	Messmer et al.	
D631,761	S	2/2011	Barbier	
D642,074	S	7/2011	Chastaingt	
D671,015	S	11/2012	Monachon	
D674,710	S	1/2013	Monachon	
8,601,784	B2 *	12/2013	Kaltenrieder	59/78
D704,077	S	5/2014	Monachon	
D720,630	S	1/2015	Nashimoto	
D721,986	S *	2/2015	Cerrato	D11/94
D724,469	S	3/2015	Akana et al.	
D727,197	S	4/2015	Akana et al.	
D727,198	S	4/2015	Akana et al.	
D727,199	S	4/2015	Akana et al.	
D727,787	S	4/2015	Akana et al.	
D731,346	S	6/2015	Akana et al.	
2005/0207284	A1	9/2005	Hiranuma et al.	
2005/0210857	A1	9/2005	Carrola	
2007/0125123	A1 *	6/2007	Sierro	63/3.2
2012/0168471	A1	7/2012	Wilson	
2012/0312052	A1 *	12/2012	Yliluoma et al.	63/10
2014/0096345	A1	4/2014	Tschumi	
2014/0098649	A1	4/2014	Tschumi	

FOREIGN PATENT DOCUMENTS

EP	2636328	A1	9/2013
GB	618917	A	3/1949
GB	2047514	A	12/1980
GB	2082277		5/1984
GB	2033807		3/1994
GB	2086601		11/1999

GB	2095450		12/2000
JP	D1088241		10/2000
JP	D1092722		12/2000
JP	D1095359		1/2001
JP	D1115866		7/2001
JP	D1130391		1/2002
JP	D1194393		1/2004
JP	D1231469		2/2005
JP	D1350052		2/2009
JP	D1350493		2/2009
JP	D1126997		11/2011
JP	5479052	B2	4/2014
WO	WO-9117679	A1	11/1991
WO	WO-DM/033704-002		9/1995
WO	WO-DM/041969-001		1/1998
WO	WO-DM/047086-002		5/1999
WO	WO-DM/061681-002		10/2002
WO	WO-DM/063315-002		5/2003
WO	WO-DM/068937-006		6/2007
WO	WO-DM/070624-004		10/2008
WO	WO-DM/074430-001		1/2010
WO	WO-2013182397	A1	12/2013

OTHER PUBLICATIONS

haedges, "1 Set Silver End Cap Clasp-Findings Large Toggle Clasp End Caps Buckle Connector with Five Inside Loops for Jewelry Making 26mm," <<http://www.etsy.com/listing/101269004/1-set-silver-end-cap-clasp-findings?ref=market>>, Listed on Aug. 29, 2014, accessed Oct. 9, 2014.

Ipod Nano Watch Band Metal, <<http://trend-kid.com/ipod-nano-watch-band-orange.htm>>, accessed Dec. 5, 2014.

[online] <http://i1-news.softpedia-static.com/images/news2/The-Chips-for-Apple-s-Smartwatch-Are-Entering-Production-464937-2.jpg> Retrieved on Feb. 17, 2015.

Suunto D6 Replacement Stainless Metal Watch Band Bracelet SS013525000 w/ Free Shipping and Handling, <<http://www.opticsplanet.com/suunto-d6-replacement-stainless-bracelet.html>>, accessed Dec. 5, 2014.

Thomas Ricker, "Nike's Amp+watch: hearts your heart and iPod, too," Oct. 5, 2007, <<http://www.engadget.com/2007/10/05/nikes-amp-watch-hearts-your-heart-and-ipod-too/>>, accessed Dec. 17, 2014.

Twist-O-Flex Radial (16-21mm, Stainless Steel), <<http://www.thewatchprince.com/Speidel-Twist-O-Flex-Expansion-Radial-Stainless>>, accessed Dec. 5, 2014.

U.S. Appl. No. 29/498,987, filed Aug. 11, 2014.

U.S. Appl. No. 29/499,052, filed Aug. 11, 2014.

U.S. Appl. No. 29/499,061, filed Aug. 11, 2014.

U.S. Appl. No. 29/499,067, filed Aug. 11, 2014.

U.S. Appl. No. 29/499,068, filed Aug. 11, 2014.

U.S. Appl. No. 29/499,069, filed Aug. 11, 2014.

U.S. Appl. No. 29/499,080, filed Aug. 11, 2014.

U.S. Appl. No. 29/499,081, filed Aug. 11, 2014.

U.S. Appl. No. 29/499,082, filed Aug. 11, 2014.

U.S. Appl. No. 29/499,088, filed Aug. 11, 2014.

U.S. Appl. No. 29/499,090, filed Aug. 11, 2014.

U.S. Appl. No. 29/499,091, filed Aug. 11, 2014.

U.S. Appl. No. 29/501,059, filed Aug. 29, 2014.

U.S. Appl. No. 29/501,152, filed Sep. 2, 2014.

U.S. Appl. No. 29/501,624, filed Sep. 5, 2014.

U.S. Appl. No. 29/501,720, filed Sep. 8, 2014.

U.S. Appl. No. 29/501,722, filed Sep. 8, 2014.

U.S. Appl. No. 29/501,723, filed Sep. 8, 2014.

U.S. Appl. No. 29/501,733, filed Sep. 8, 2014.

U.S. Appl. No. 29/501,737, filed Sep. 8, 2014.

U.S. Appl. No. 29/501,746, filed Sep. 8, 2014.

U.S. Appl. No. 29/501,759, filed Sep. 8, 2014.

U.S. Appl. No. 29/501,766, filed Sep. 8, 2014.

U.S. Appl. No. 29/501,772, filed Sep. 8, 2014.

* cited by examiner

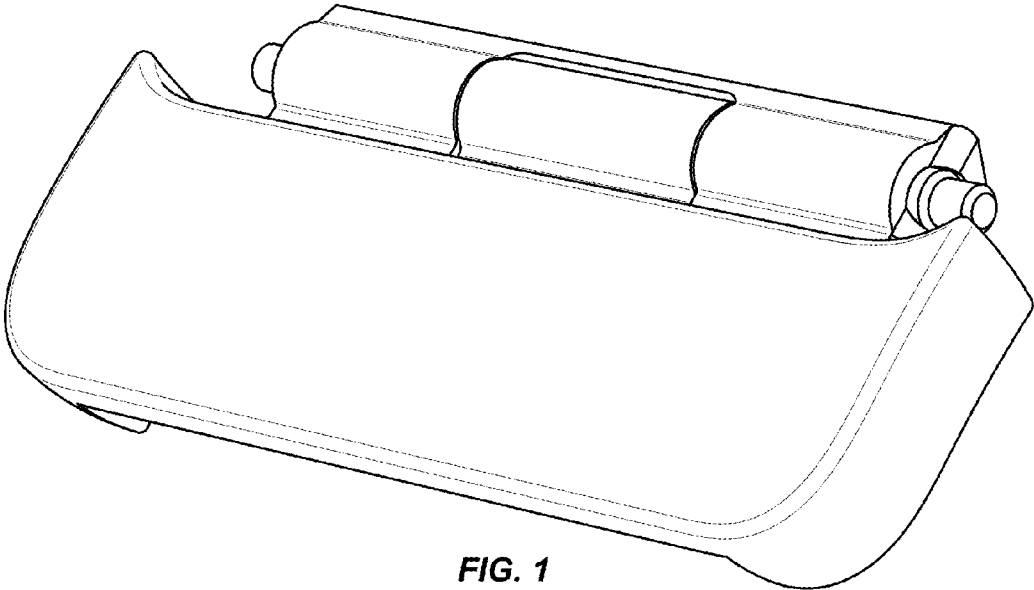


FIG. 1

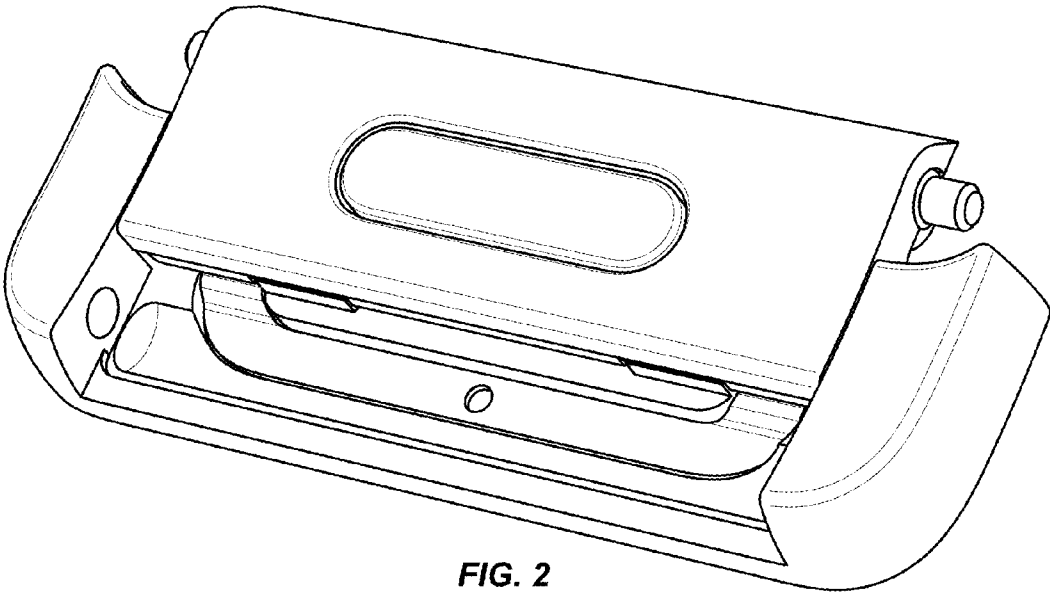


FIG. 2

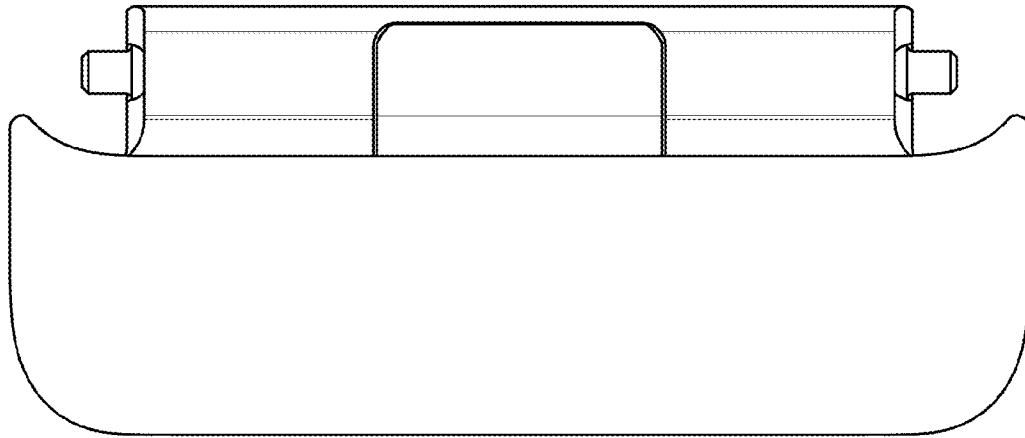


FIG. 3

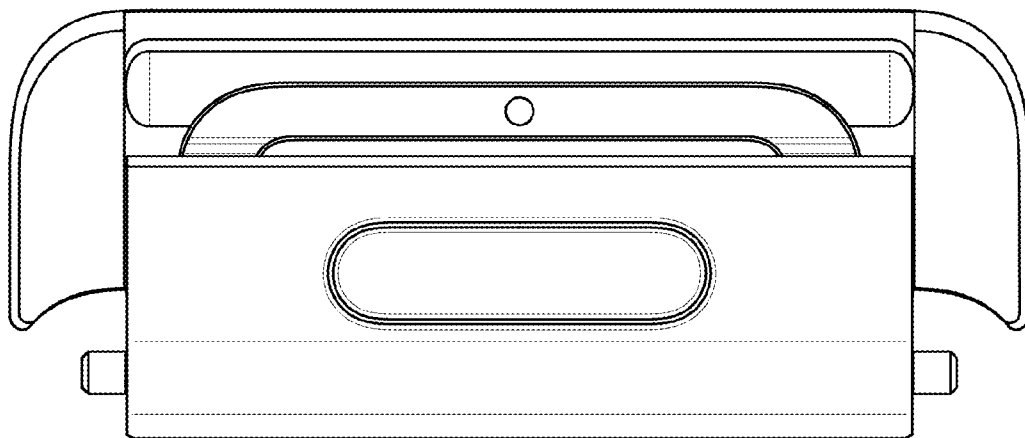


FIG. 4



FIG. 5



FIG. 6

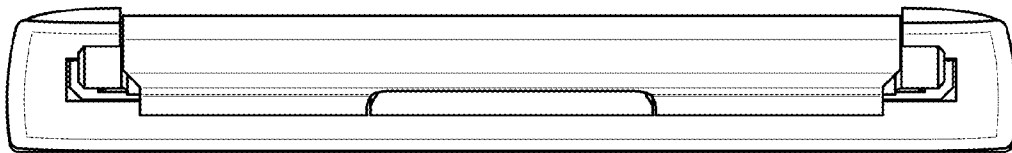


FIG. 7

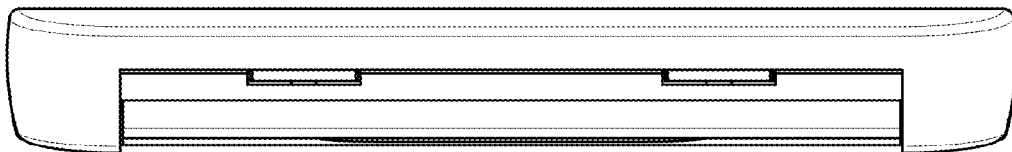


FIG. 8