

(19) World Intellectual Property Organization
International Bureau



(43) International Publication Date
25 October 2001 (25.10.2001)

PCT

(10) International Publication Number
WO 01/80543 A2

(51) International Patent Classification⁷: H04M 11/06, H04L 12/40

(21) International Application Number: PCT/IL01/00302

(22) International Filing Date: 3 April 2001 (03.04.2001)

(25) Filing Language: English

(26) Publication Language: English

(30) Priority Data: 09/552,564 19 April 2000 (19.04.2000) US

(71) Applicant (for all designated States except US): SERCONET LTD. [IL/IL]; Ha'Haroshet Street 16, P.O. Box 2009, 43657 Raanana (IL).

(72) Inventor; and

(75) Inventor/Applicant (for US only): BINDER, Yehuda [IL/IL]; Yeshurun St. 30, 45200 Hod HaSharon (IL).

(74) Agent: REINHOLD COHN AND PARTNERS; P.O. Box 4060, 61040 Tel Aviv (IL).

(81) Designated States (national): AE, AG, AL, AM, AT, AU, AZ, BA, BB, BG, BR, BY, BZ, CA, CH, CN, CO, CR, CU, CZ, DE, DK, DM, DZ, EE, ES, FI, GB, GD, GE, GH, GM, HR, HU, ID, IL, IN, IS, JP, KE, KG, KP, KR, KZ, LC, LK, LR, LS, LT, LU, LV, MA, MD, MG, MK, MN, MW, MX, MZ, NO, NZ, PL, PT, RO, RU, SD, SE, SG, SI, SK, SL, TJ, TM, TR, TT, TZ, UA, UG, US, UZ, VN, YU, ZA, ZW.

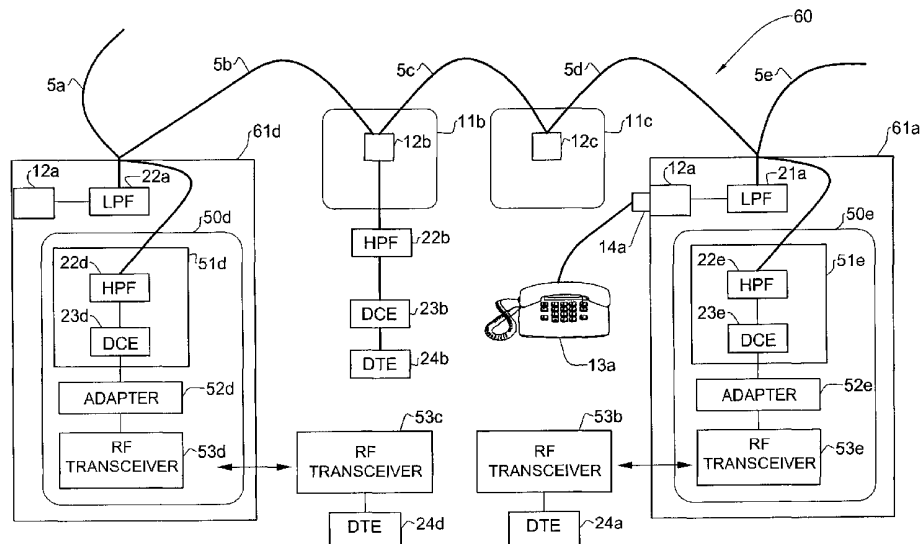
(84) Designated States (regional): ARIPO patent (GH, GM, KE, LS, MW, MZ, SD, SL, SZ, TZ, UG, ZW), Eurasian patent (AM, AZ, BY, KG, KZ, MD, RU, TJ, TM), European patent (AT, BE, CH, CY, DE, DK, ES, FI, FR, GB, GR, IE, IT, LU, MC, NL, PT, SE, TR), OAPI patent (BF, BJ, CF, CG, CI, CM, GA, GN, GW, ML, MR, NE, SN, TD, TG).

Published:

— without international search report and to be republished upon receipt of that report

For two-letter codes and other abbreviations, refer to the "Guidance Notes on Codes and Abbreviations" appearing at the beginning of each regular issue of the PCT Gazette.

(54) Title: NETWORK COMBINING WIRED AND NON-WIRED SEGMENTS



(57) Abstract: A local area network (60) within a residence or other building, including both wired (5) and non-wired segments (53). The wired segments are based on new or existing wires (5a, 5b, 5c, 5d, 5e) in the building, wherein access to the wires is provided by means of outlets (61a, 61d), such as a telephone system, electrical power distribution system, or cable television wiring system. The non-wired segments are based on communication using propagated waves such as radio, sound, or light (e.g. infrared). The wired and non-wired segments interface in the outlet, using a module (50) that serves as mediator between the segments. The module can be integrated into the outlet, partially housed in the outlet, or attached externally to the outlet. Such a network allows for integrated communication of data units (24b) connected by wires and data units (24a, 24d) connected without wires.



WO 01/80543 A2

Network Combining Wired and Non-Wired Segments

FIELD OF THE INVENTION

The present invention relates to the field of communication networks, and, more specifically, to the networking of devices within a building via combined wired and non-wired communication.

5 **BACKGROUND OF THE INVENTION**

There is a growing need for networking within the home. This need is driven by two major factors, the increasing use of multiple data devices and the emergence of broadband services in the home.

10 Lately there has been an expansion in the number of homes in the USA with multiple personal computers. In addition, connectivity and networking capabilities have been added to appliances, such as refrigerators and microwave ovens. Furthermore, there is a trend toward enabling data connectivity among various multimedia (audio and video) appliances such as TV's, VCR's, receivers, and speakers. The term "data unit" as used
15 herein denotes any device capable of generating and/or receiving data. The networking of data units enables the sharing of files and applications as well as the sharing of common peripheral devices, along with other benefits.

– 2 –

Another driving force behind the need for home connectivity products is the growth in the number of on-line households. As high-speed connections to information and broadband entertainment sources soar, there is a growing need to share and distribute this access among appliances
5 within the house. These broadband services are supplied mainly by three types of service providers:

1. Telco's, via xDSL connections (currently ADSL, to be followed by VDSL).
- 10 2. CATV. Currently via Cable-Modem, to be followed by digital Set-Top-Box.
3. Wireless connections, such as Satellite, LMDS, WLL, and others.

Communication within a home can be classified into two types: wired and non-wired. These are covered below:

15 **Wired Communication**

Wired communication requires using at least two distinct electrical conductors. The wiring can be new wiring installed and dedicated for data communication within the home, such as installing structured wiring such as Category 5 type, used in Ethernet IEEE802 networks. However, the
20 installation of a new wiring structure within a home is labor-intensive, complex, and expensive. Alternatively, existing home wiring, which was previously installed for a specific purpose, can be used for data communication without substantially affecting or degrading the original service. Existing wiring includes telephone wiring, power line wiring, and
25 cable TV wiring. These are reviewed below.

For all wired configurations, the present invention relies upon electrically conducting lines which may be pre-existing within a building, which have at least two distinct electrical conductors, and which are capable of transporting data communication signals. Furthermore, the

– 3 –

present invention relies upon suitable outlets, to which the electrically conducting lines are coupled, and which are capable of connecting to external devices.

Telephone Wiring

5 In-home telephone service usually employs two or four wires, and is accessed via telephone outlets into which the telephone sets are connected.

 Figure 1 shows the wiring configuration of a prior-art telephone system **10** for a residence or other building, wired with a telephone line **5**. Residence telephone line **5** consists of single wire pair which connects to a
10 junction-box **16**, which in turn connects to a Public Switched Telephone Network (PSTN) **18** via a cable **17**, terminating in a public switch **19**, which establishes and enables telephony from one telephone to another. The term “analog telephony” as used herein denotes traditional analog low-frequency audio voice signals typically under 3KHz, sometimes referred to as “POTS”
15 (“Plain Old Telephone Service”), whereas the term “telephony” in general denotes any kind of telephone service, including digital service such as Integrated Services Digital Network (ISDN). The term “high-frequency” as used herein denotes any frequency substantially above such analog telephony audio frequencies, such as that used for data. ISDN typically uses
20 frequencies not exceeding 100KHz (typically the energy is concentrated around 40Khz). The term “telephone line” as used herein denotes electrically conducting lines which are intended primarily for the carrying and distribution of analog telephony, and includes, but is not limited to, such electrically conducting lines which may be pre-existing within a
25 building and which may currently provide analog telephony service. The term “telephone device” as used herein denotes, without limitation, any apparatus for telephony (including both analog telephony and ISDN), as well as any device using telephony signals, such as fax, voice-modem, and so forth.

– 4 –

Junction box **16** is used to separate the in-home circuitry from the PSTN and is used as a test facility for troubleshooting as well as for wiring new in the home. A plurality of telephones **13a** and **13b** connects to telephone lines **5** via a plurality of telephone outlets **11a**, **11b**, **11c**, and **11d**.
5 Each outlet has a connector (often referred to as a “jack”), denoted in Figure 1 as **12a**, **12b**, **12c**, and **12d**, respectively. In North-America, RJ-11 is commonly used. Each outlet may be connected to a telephone unit via a connector (often referred to as a “plug”), denoted in Figure 1 (for the two telephone units **13a** and **13b** illustrated) as **14a** and **14b**, respectively. It is
10 also important to note that lines **5a**, **5b**, **5c**, **5d**, and **5e** are electrically the same paired conductors.

While network **10** exhibits serial or daisy-chained topology wherein the wiring is serialized from an outlet the next one only, other topologies such as star, tree or any arbitrary topology may also exist. However, the
15 telephone wiring system within a residence is always composed of wired media: two or four copper wires, and several outlets which provides direct access for connecting to these wires.

There is a requirement for simultaneously using the existing telephone infrastructure for both telephone and data networking. In this
20 way, the task of establishing a new local area network in a home or other building is simplified, because there would be no additional wires to install. U.S. Patent 4,766,402 to Crane (hereinafter referred to as “Crane”) teaches a way to form LAN over two-wire telephone lines, but without the telephone service.

25 As an another example, relevant prior-art in this field is disclosed in U.S. Patent 5,896,443 to Dichter (hereinafter referred to as “Dichter”). Dichter suggests a method and apparatus for applying frequency domain / division multiplexing (FDM) technique for residential telephone wiring, enabling simultaneously carrying telephone and data communication

– 5 –

signals. The bandwidth enabled by the wiring is split into a low-frequency band capable of carrying an analog telephony signal and a high-frequency band capable of carrying data communication signals. In such mechanism, the telephone service is not affected, while data communication capability is provided over existing telephone wiring within a home.

The concept of frequency domain / division multiplexing (FDM) is well-known in the art, and provides means of splitting the bandwidth carried by a wire into a low-frequency band capable of carrying an analog telephony signal and a high-frequency band capable of carrying data communication or other signals. Such a mechanism is described, for example, in U.S. Patent 4,785,448 to Reichert *et al.* (hereinafter referred to as “Reichert”). Also widely used are xDSL systems, primarily Asymmetric Digital Subscriber Loop (ADSL) systems.

The Dichter network is illustrated in Figure 2, which shows a network **20** serving both telephones and providing a local area network of data units. Data Terminal Equipment (DTE) units **24a**, **24b**, and **24c** are connected to the local area network via Data Communication Equipment (DCE) units **23a**, **23b**, and **23c**, respectively. Examples of Data Communication Equipment include modems, line drivers, line receivers, and transceivers (the term “transceiver” herein denotes a combined transmitter and receiver). DCE units **23a**, **23b**, and **23c** are respectively connected to high pass filters (HPF) **22a**, **22b**, and **22c**. The HPF’s allow the DCE units access to the high-frequency band carried by telephone-line **5**. In a first embodiment (not shown in Figure 2), telephones **13a**, **13b**, and **13c** are directly connected to telephone line **5** via connectors **14a**, **14b**, and **14c**, respectively. However, in order to avoid interference to the data network caused by the telephones, in a second embodiment (shown in Figure 2) low pass filters (LPF’s) **21a**, **21b**, and **21c** are added to telephones **13a**, **13b**, and **13c** from telephone line **5**. Furthermore, a low pass filter is

– 6 –

also connected to Junction Box **16**, in order to filter noises induced from or to the PSTN wiring **17**. It is important to note that lines **5a**, **5b**, **5c**, **5d**, and **5e** are electrically the same paired conductors.

Additional prior-art patents in this field can be found under US Class
5 379/093.08, which relates to carrying data over telephone wiring without any modifications made to the telephone wiring (e.g. wires and outlets). US Patent 5,841,360 and US patent applications 09/123,486 and 09/357,379 to the present inventor are the first to suggest modifying the telephone wiring, by means of splitting the wiring into distinct segments, each of which
10 connects two telephone outlets. In this way, the network is modified from ‘bus’ topology into multiple ‘point-to-point’ segments, enabling superior communication characteristics.

Part of such a network **30** is shown in Figure 3, describing outlets
15 **31a** and **31b**, substituting outlets **11** of Figures 1 and 2. The telephone wiring **5** is split into distinct segments **5a**, **5b** and **5c**. Low-Pass Filter (LPF) and High-Pass Filters (HPF) are coupled to each wire segment end, in order to split between the telephony and the data signals. As shown in Figure 3, LPF’s **21b** and **21c** are attached to each end of wiring segment **5b**. The LPF’s are designed to allow passing of the telephony signals, and are
20 connected together thus offering a continuous path for the telephony signals. Access to the telephony signals is made via connectors **12a** and **12b** in the outlets, into which telephone devices **13a** and **13b** are connected via connectors **14a** and **14b** respectively. Thus, the telephony service is fully retained. The data signals, carried in the high part of the spectrum, are
25 accessed via HPF’s **26a** and **22b**, coupled to each end of the telephone wire segment **5b**. HPF’s **22a** and **26b** are connected to the ends of the wire segments **5a** and **5c** respectively. Each HPF is connected to a modem **23** and **27**, which transmit and receive data signals over the telephone wiring. Modems **23a**, **27a**, **23b**, and **27b** are connected to HPF’s **22a**, **26a**, **22b** and

- 7 -

26b respectively. Data units 24a and 24b are connected to the outlets 31a and 31b respectively, via a connector (not shown in the Figure) in the outlet. The data units are coupled via DTE interface in the outlet. Outlets 31a and 31b comprise DTE interfaces 29a and 29b respectively. The three
5 data streams in each outlet, two from each modem and one from the DTE, are handled by an adapter 28a and an adapter 28b, which serve outlets 31a and 31b, respectively. While Figure 3 describes an embodiment wherein all the components for the relevant functions are housed within the outlet, other embodiments are also possible, wherein only some of the components
10 for these functions are contained within the outlet.

Power Lines

It is possible to transmit data over wiring used for distribution of electrical power within the home, which is normally at a frequency of 50 or 60 Hz. Access to the power is available via power outlets distributed around
15 the house. Such wiring consists of two wires (phase and neutral) or three wires (phase, neutral, and ground).

FDM techniques, as well as others, are used for enabling data communication over power lines. Many prior-art patents in this field can be found in US Class 340/310.

20 Cable Television Lines

It is also possible to transmit data over wiring used for the distribution of television signals within the home. Such wiring usually is coaxial cable.

Both power line and cable television wiring systems resemble the
25 telephone line structure described in Figure 1. The wiring system is based on conductors, usually located in the walls, and access to these wires is obtained via dedicated outlets, each housing a connector connected directly to the wires. Common to all these systems, is the fact that the wiring was installed for a dedicated purpose (telephone, power, or cable TV signal

– 8 –

distribution). Wherever one of these existing wiring systems is used for carrying data, it is desirable that the original service (telephony, power, or television signal distribution) be unaffected. Dedicated modems are used for carrying data over the media concurrently with the original service.

5 When using existing wiring, specific wired modems are normally required for communicating over the electrically conducting lines, and access to the electrically conducting lines is provided via the relevant outlets. Using electrically conducting lines as the communication media allows for high bandwidth, and provides robust and cost-effective
10 communication. In addition, communication over large distances is possible, which in most cases enables coverage of the whole house, thereby guaranteeing communication from any outlet to another within the house.

Such networks, however, require data units to be connected to the outlets, usually by means of a cable from the data unit to a suitable nearby
15 outlet. This makes the connection complex and hard-to-use, requires the data unit to be in proximity to an appropriate outlet, and impairs mobility for some data units within the house.

Non-Wired Communication

Non-wired solutions for in-home data networking use waves
20 propagated without an electrically conducting medium. Three main techniques are commonly used:

1. *Radio Frequency (RF)*. Transmission of data between data units can be accomplished with radio frequency electromagnetic signals. As an example, IEEE802.11 can be used.
- 25 2. *Light Transmission* of data between data units can be accomplished with light in the visible or non-visible spectrum. Currently, the most popular is infrared (IR) based communication. Most such systems require ‘line-of-sight’ placement of the communicating data units.

– 9 –

3. *Sound.* Transmission of data between data units can be accomplished with sound waves, either in the audio spectrum (20-20,000Hz), or inaudible spectrum (ultrasonic, above 20,000Hz; or infrasonic, below 20Hz).

5 It is noted that although light and radio waves are both electromagnetic phenomena, they occupy different parts of the electromagnetic spectrum and have significantly different characteristics for purposes of the present invention. Thus, light and radio waves are herein treated as distinct physical phenomena.

10 An example of a non-wired data network **40** is shown in Figure 4. Two data units **41a** and **41b** are shown, into which non-wired transceivers **42a** and **42b** are respectively coupled. The non-wired transceivers **42a** and **42b** communicate over a space **43** without any electrically conducting medium. If RF transmission is used, the transceivers are RF transceivers,
15 and the communication over space **43** is based on the propagation of radio frequency electromagnetic waves. Similarly, in the case of light-based communication, transceivers **42a** and **42b** utilize light emitters (e.g. LEDs) and light detectors (e.g. photoelectric cell), and the communication over space **43** relies on the propagation of light. Likewise, in the case of sound-
20 based communication over space **43**, the transceivers use microphones and speakers, and the communication relies on the propagation of sound waves through the air in the space **43**.

 Since these solutions do not require any physical connection such as cable, they provide both ease-of-use and mobility. However, such non-
25 wired solutions are effective over short distances only. Furthermore, most of the non-wired solutions cannot easily pass through walls and other such obstructions, owing to the attenuation to the signals. Hence, such techniques are suitable for communication within a single room, but are not suitable for communication between the rooms of a home or other building.

– 10 –

There is thus a widely recognized need for, and it would be highly advantageous to have, a means for implementing a data networking in-home between data units, wherein such data units can be networked within a home or other building, while providing mobility and ease of use. This goal is met by the present invention.

SUMMARY OF THE INVENTION

The present invention discloses a data communication network within a building having wired and non-wired segments. The wired segments are based on electrically conducting lines installed within the building. In addition to supporting data communication, these electrically-conducting lines concurrently distribute a primary service other than the transport of data communication signals, such as telephone service, electrical power service, or cable television service, and may be pre-existing wires originally-installed to distribute the primary service. Dedicated outlets are used to enable direct access to the wiring. The present invention uses means for utilizing the electrically conducting lines concurrently for both the transport of data communication signals and the primary service, without any interference between these two uses. The non-wired segments employ communication without electrically-conducting media, via waves propagated through open space, such as by light or radio waves, or by acoustic waves in air.

The wired and non-wired segments are combined by means of circuitry in one or more outlets. The coupling device is a module containing one port for coupling to the wired network using a specific wired modem. Another port of the device couples to the non-wired segment, using a non-wired modem. An adapter handles the data flow between the wired segment and the non-wired segment, and has provision for protocol conversion, if required.

– 11 –

The module coupling both segments, or any of the components of the module, can be fully integrated into the outlet, partially integrated into the outlet, or externally coupled to it.

Therefore, according to the present invention there is provided a
5 local area network within a building for transporting data among a plurality of data units, the local area network including at least one wired segment and at least one non-wired segment, wherein the at least one wired segment includes: (a) at least one electrically conducting line within the building, the electrically conducting line having at least two conductors and operative to
10 transport data communication signals; (b) at least two outlets, each operative for coupling to the electrically conducting line; and (c) at least one wired modem coupled to the electrically conducting line, operative to communicate over the electrically conducting line; (d) and wherein the at least one non-wired segment is operative to communicating data without
15 electrically conducting media and includes at least one non-wired modem, wherein at least one of the outlets couples a wired segment to a non-wired segment, and wherein the at least one electrically conducting line is furthermore operative for concurrently distributing a service other than the transport of data communication signals.

20 **BRIEF DESCRIPTION OF THE DRAWINGS**

The invention is herein described, by way of example only, with reference to the accompanying drawings, wherein:

Figure 1 shows a common prior art telephone line-wiring configuration for a residence or other building.

25 Figure 2 shows a first prior art local area network based on telephone line wiring for a residence or other building.

Figure 3 shows a second prior art local area network based on telephone line wiring for a residence or other building.

– 12 –

Figure 4 shows a prior art non-wired communication network.

Figure 5 shows modules according to the present invention.

Figure 6 shows a local area network according to the present invention, wherein telephone wiring used for the wired segment and radio
5 frequency communication for the non-wired segment.

Figure 7 shows a second embodiment of a local area network based on telephone lines as the wired segment and radio frequency communication for the non-wired segment.

Figure 8 shows a kit for upgrading existing electrically conducting
10 lines to support a network according to the present invention.

DETAILED DESCRIPTION OF THE INVENTION

The principles and operation of a network according to the present invention may be understood with reference to the drawings and the accompanying description. The drawings and descriptions are conceptual
15 only. In actual practice, a single component can implement one or more functions; alternatively, each function can be implemented by a plurality of components and circuits. In the drawings and descriptions, identical reference numerals indicate those components that are common to different embodiments or configurations.

The invention is based on a wired / non-wired network adapter module (hereinafter referred to as “module”). A functional description of such a module **50** is shown in Figure 5. The module comprises a physical port **54** for connecting to the wired network. The communication with the wired network is carried by wired transceiver **51**. Wired transceiver port **54**
25 and transceiver **51** are dependent upon the type of wired network. Interfacing a telephone line-based network requires a telephone line transceiver, while connecting to a power line network requires a power line dedicated modem. Additionally, the connection to the wired network may

– 13 –

require specific means in order to meet regulatory and safety requirements, as well as specific means for ensuring that the basic service (e.g. telephony service, power distribution) is not substantially degraded or affected.

The non-wired segment interfaces via a port **55**. Port **55** communicates without an electrically conducting medium. Communication with this non-wired segment is handled by a non-wired modem / transceiver **53**. The term “non-wired modem” herein denotes any device capable of data communication without requiring an electrically conducting medium. The data to and from the wired segment and the data to and from the non-wired segment are handled by a protocol adapter **52**. Protocol adapter **52** may serve as a transparent unit, acting as a repeater / regenerator, dealing with the physical layer only of the OSI model. However, higher layers can also be handled by the protocol adapter **52**. In such a case, the protocol adapter will function as a bridge, router, gateway or any other adaptation mechanism as required.

Other facilities of module **50** may contain logic, control, processing, storage, power-supply and other components not shown in Figure 5. The communication supported by module **50** can be simplex (unidirectional, either from the wired towards the non-wired segment or *vice-versa*), half-duplex, or full duplex. A module **50a** connects a telephone line network segment to an RF network segment. Module **50a** employs a telephone line modem **51a** as the wired network interface, a radio-frequency modem **53a** as an interface to the non-wired network segment, and a protocol adapter **52a**. A module **50b** is an embodiment of the present invention, in which the telephone line transceiver can be implemented by a high-pass filter (HPF) **22a** and data terminal equipment (DCE) **23a**, as also used by Dichter as discussed previously.

Figure 6 shows an embodiment of a network **60** according to the present invention that includes wired and non-wired segments. The wired

– 14 –

segment is based on telephone wiring **5** within a building as described in Figure 1. While outlets **11b** and **11c** are unchanged, outlets **11a** and **11d** are replaced by outlets **61d** and **61a**, respectively, containing modules **50d** and **50e** respectively. Basic telephone service is retained by employing low-pass filters (LPF) **21d** and **21a** in outlets **61d** and **61a** respectively. The LPF's are coupled to telephone connectors **12d** and **12a** respectively, enabling connection of telephone devices. This is illustrated by a telephone **13a** connected by connector **14a** to connector **12a** in outlet **61a**. A Dichter-type data communication network is established by connecting data terminal equipment (DTE) via a modem and HPF, as illustrated by DTE **24b** connected to DCE **23b**, which is coupled to HPF **22b**, which is in turn directly coupled to telephone wiring **5** via connector **12b** in outlet **11b**.

The non-wired part of network **60** is based on radio frequency transmission, utilizing a pair of RF transceivers **53** (Figure 5). As shown in Figure 6, DTE's **24d** and **24a** are coupled to RF transceivers **53c** and **53b**, respectively. In turn, each such RF transceiver communicates with RF transceivers **53d** and **53a**, respectively, which are integrated within outlets **61d** and **61a**, respectively.

Integrating the wired and non-wired segments of the network is accomplished by modules **50d** and **50e**, each of which is illustrated by module **50c** in Figure 5. Modules **50d** and **50e** are integrated within outlets **61d** and **61a**, respectively. Each such module interfaces the wired segment of the network by a telephone modem. Each such modem contains a high-pass filter **22** and DCE **23**, as described previously for a Dichter-type network. Interfacing to the non-wired segment of network **60** is performed via an RF transceiver, wherein modules **50d** and **50e** comprises RF transceivers **53d** and **53e** respectively. Protocols and data conversion between both segments are performed by adapter **52** (Figure 5), wherein adapters **52d** and **52e** are integrated within modules **50d** and **50e** respectively.

– 15 –

Network **60** allows DTE's **24d**, **24b** and **24a** to communicate among themselves. While DTE **24b** is connected to the network via a wired connection, DTE's **24d** and **24a** can communicate in a non-wired manner. While Figure 6 illustrates a single DTE connected by wires and two DTE's
5 connected without wires, it is obvious that any number of DTE's of each type can be connected. Furthermore, while in network **60** each outlet supports a single wired or non-wired DTE connection, other implementations can also be supported. For example, an outlet can provide one or more wired connections simultaneously with one or more non-wired connections.

10 While Figure 6 illustrates the case where module **50** is integrated in an outlet **61**, embodiments of the present invention also include those wherein the module is external to the outlet. Similarly, selective parts of a module may be integrated within an outlet while other parts are external. In all cases, of course, appropriate electrical and mechanical connection
15 between the module and the outlet are required.

A network outlet is physically similar in size, shape, and overall appearance to a standard outlet, so that a network outlet can be substituted for a standard outlet in the building wall. No changes are required in the overall telephone line layout or configuration.

20 Network **60** provides clear advantages over hitherto proposed networks. For example, DTE's (e.g. PC's) located in different rooms can interconnect without the need to use any wires. A radio-frequency transceiver in each DTE communicates with the nearest outlet, and the outlets communicate between rooms over the telephone wiring media.

25 The invention can equally well be applied to the prior art wired network illustrated in Figure 3. Figure 7 shows part of a network **70**. Outlet **31a** represents a prior-art network outlet. In order to interface to the non-wired network segments, an outlet **71** according to the present invention must be used. With the exception of RF transceiver **53a** within outlet **71**,

– 16 –

which communicates with RF transceiver **53b** connected to a DTE **24a**, outlet **71** is similar to outlet **31a**. In this embodiment, the module includes two telephone line modems **23b** and **27b**, a three-port adapter **72** (for the two wired ports and the single non-wired port), and RF transceiver **53a**. The advantages offered by the prior-art topology apply also for this configuration.

While the present invention has been described above for the case where the wired media is based on a telephone line system and includes telephone wires and telephone outlets, the present invention can equally well be applied to other wired systems such as those based on power and cable television signal distribution. In the case of an electrical power distribution system, the electrical wires and outlets employed for power distribution in the house are used. Similarly, cable television wiring and outlets can also be used. In all cases, it may be necessary to retain the basic service for which the wiring systems were installed: telephony service, electrical power distribution, or television signals. This is usually achieved by adding the appropriate circuitry to separate the data communication network from the basic service, as well as to avoid interference of any kind between the two roles currently employing the same wiring. For example, the LPF's **21a**, **21b**, **21c**, and **21d**; and HPF's **22a**, **22b**, **26a**, and **26b** (Figure 7) serve the role of separating the telephony service from the data communication network and vice-versa.

While the present invention has been described above for the case wherein the non-wired communication is accomplished by radio-frequency transmission, the present invention can be equally applied to other types of non-wired communication, such as:

1. Non-wired communication accomplished by other forms of electromagnetic transmission. Electromagnetic waves in various parts of the electromagnetic spectrum can be used for

– 17 –

communication. For example, low-frequency electromagnetic radiation can be used to transmit audio-frequency signals over short distances without a carrier. Radio-frequency transmission is a special case of this general electromagnetic transmission. As noted previously, light is also a special case of electromagnetic radiation, but is herein treated separately because of the characteristics of light are distinctly different from those of electromagnetic transmission in other usable parts of the electromagnetic spectrum.

- 5
- 10 2. Non-wired communication accomplished by light. Either visible or non-visible light wavelength can be used for such transmission. As previously noted, currently, the most popular is infrared (IR) based communication. Most such systems require substantially 'line-of-sight' access.
- 15 3. Non-wired communication accomplished by sound. Either audible sound (20-20,000Hz band), or inaudible sound (ultrasonic, above 20,000Hz; or infrasonic, below 20Hz).

In addition to the described data communication function, the network according to the present invention can also be used for control (e.g. home automation), sensing, audio, or video applications, and the communication can also utilize analog signals (herein denoted by the term "analog communication"). For example, a video signal can be transmitted in analog form via the network.

Upgrade Kit

25 The present invention also contemplates a kit for upgrading existing electrically conducting lines to support a network as described above. Figure 8 illustrates an embodiment of such a kit containing an outlet 132 and an outlet 134 and installation instructions 136. Outlet 132 has connection 144 for coupling to a wired segment and mounting points such

– 18 –

as a flange **146** for installing in the building walls. Outlet **132** also has a jack **138** and a jack **140** for connecting to external devices via cables, and a transducer **142** for connecting to external data units via a non-wired segment. Within outlet **132** is a module according to the present invention,
5 as previously described and illustrated in Figure 5. In one embodiment, transducer **142** is a radio frequency transceiver. In another embodiment, transducer **142** is a combined light-emitting diode and photocell receiver. In still another embodiment, transducer **142** is a combined speaker and microphone. Likewise, in one embodiment, jack **138** is a telephone jack. In
10 another embodiment, jack **138** is an electrical power socket. In still another embodiment, jack **138** is a cable television jack. In one embodiment, jack **140** is a data jack. The embodiment of the kit illustrated in Figure 8 has two outlets, outlet **132** and outlet **134**, which are illustrated as substantially identical. However, in another embodiment, the kit contains only outlet
15 **132**. In still another embodiment, outlet **134** does not contain a transducer. Other variations are also possible in different embodiments.

It will also be appreciated that the outlet and the adapter module may be provided as separate components for use in upgrading existing wiring of a building to support a local area network having at least one wired segment
20 and at least one non-wired segment. They may likewise find independent use for further expanding a hybrid network that has previously been upgraded according to the invention. Such an outlet is provided with a first coupler (constituted by the non-wired modem / transceiver 53) for coupling the outlet to the at least one non-wired segment, and a second coupler
25 (constituted by the wired transceiver 51) for coupling the outlet to the existing wiring via an adapter module 50. The adapter module may be either fully or partially integrated within the outlet.

A method for upgrading existing electrically conducting lines within a building to support a network according to the present invention involves:

– 19 –

- (a) providing a wired modem;
- (b) providing a non-wired modem;
- (c) providing an adapter for handling the data communications between a wired segment and a non-wired segment; and
- 5 (d) providing an outlet, and
- (e) equipping the outlet with the wired modem, the non-wired modem, and the adapter.

While the invention has been described with respect to a limited number of embodiments, it will be appreciated that many variations, 10 modifications and other applications of the invention may be made.

– 20 –

CLAIMS:

1. A local area network (60) within a building for transporting data among a plurality of data units (24a, 24b, 24d), the local area network comprising at least one wired segment (5a, 5b, 5c, 5d, 5e) and at least one
5 non-wired segment, wherein said at least one wired segment includes:
- (a) at least one electrically conducting line (5) within the building, said electrically conducting line having at least two conductors (5a, 5b, 5c, 5d, 5e) and operative to transport data communication signals;
 - 10 (b) at least two outlets (61a, 61d), each operative for coupling to said electrically conducting line; and
 - (c) at least one wired modem (23b, 23d, 23e) coupled to said electrically conducting line, operative to communicate over said electrically conducting line;
- 15 and wherein said at least one non-wired segment is operative to communicating data without electrically conducting media and includes at least one non-wired modem (53d, 53e, 53b, 53c), wherein at least one of said outlets couples a wired segment to a non-wired segment, and wherein said at least one electrically conducting line is furthermore operative for
20 concurrently distributing a service other than the transport of data communication signals.
2. The local area network as in claim 1, wherein said service is included in a group containing telephone service, electrical power service, and cable television service.
- 25 3. The local area network as in claim 1, wherein at least one of said electrically conducting lines is a telephone line and wherein at least one of said outlets is a telephone outlet.

– 21 –

4. The local area network as in claim 3, wherein said telephone line is furthermore operative to providing telephony service concurrently with data communications.
5. The local area network as in claim 1, wherein at least one of said electrically conducting lines is a power line and wherein at least one of said outlets is a power outlet.
6. The local area network as in claim 5, wherein said power line is furthermore operative to carrying electrical power concurrently with data communications.
- 10 7. The local area network as in claim 1, wherein at least one of said electrically conducting lines is a cable television line, and wherein at least one of said outlets is a cable television outlet.
8. The local area network as in claim 7, wherein said cable television line is furthermore operative to carrying television signals concurrently with data communications.
- 15 9. The local area network as in claim 1, wherein said non-wired segment is furthermore operative to communicating data by light.
10. The local area network as in claim 9, wherein said light is infrared.
11. The local area network as in claim 1, wherein said non-wired segment is furthermore operative to communicating data by electromagnetic transmission.
- 20 12. The local area network as in claim 11, wherein said electromagnetic transmission is radio-frequency transmission.

– 22 –

13. The local area network as in claim 1, wherein said non-wired segment is furthermore operative to communicating data by sound.
14. The local area network as in claim 13, wherein said sound is audible sound.
- 5 15. The local area network as in claim 13, wherein said sound is inaudible sound.
16. The local area network as in claim 1, further comprising a module (52d, 52e) operative to coupling said wired segment to said non-wired segments.
- 10 17. The local area network as in claim 16, wherein said module is fully integrated within one of said outlets.
18. The local area network as in claim 16, wherein said module is partially integrated within one of said outlets.
19. The local area network as in claim 16, wherein said module is
15 externally coupled to one of said outlets.
20. A kit for upgrading existing wiring (5) of a building to support a local area network having at least one wired segment (5a, 5b, 5c, 5d, 5e) and at least one non-wired segment , the kit comprising:
- 20 (a) an outlet (132, 134) for coupling to the non-wired segment;
and
- (b) an adapter module (50) for coupling said outlet to the existing wiring, wherein said adapter module contains:
- i) at least one wired modem (51) operative for transporting data communication signals over the existing wiring, and

– 23 –

- ii) at least one non-wired modem (53) operative to transporting data communication signals without an electrically-conducting medium.

21. The kit as in claim 20, wherein said adapter module is further
5 operative to data handling and protocol converting.

22. The kit as in claim 20, wherein said adapter module is integrated within said outlet.

23. The kit as in claim 20, wherein said adapter module is partially integrated within said outlet.

10 24. The kit as in claim 20, wherein said wired modem is a telephone-line modem and said outlet is a telephone outlet.

25. The kit as in claim 20, wherein said wired modem is a power-line modem and said outlet is a power outlet.

15 26. The kit as in claim 20, wherein said wired modem is a cable television-line modem and said outlet is a cable television outlet.

27. An adapter module (50) for use in upgrading existing wiring of a building so as to support a local area network having at least one wired segment and at least one non-wired segment coupled to an outlet, the adapter module being adapted to couple said outlet to the existing wiring
20 and comprising:

- i) at least one wired modem (51) operative for transporting data communication signals over the existing wiring, and
 - ii) at least one non-wired modem (53) operative to transporting data communication signals without an electrically-conducting medium.
- 25

– 24 –

28. The adapter module as in claim 27, being further operative to data handling and protocol converting.
29. The adapter module as in claim 27, being fully integrated within said outlet.
- 5 30. The adapter module as in claim 27, being partially integrated within said outlet.
31. The adapter module as in claim 27, wherein said wired modem is a telephone-line modem and said outlet is a telephone outlet.
32. The adapter module as in claim 27, wherein said wired modem is a
10 power-line modem and said outlet is a power outlet.
33. The adapter module as in claim 27, wherein said wired modem is a cable television-line modem and said outlet is a cable television outlet.
34. An outlet (61a, 61d) for use in upgrading existing wiring of a building so as to support a local area network having at least one wired
15 segment and at least one non-wired segment, the outlet comprising:
- (a) a first coupler (53) for coupling the outlet to the at least one non-wired segment,
 - (b) a second coupler (51) for coupling the outlet to the existing wiring via an adapter module, comprising:
 - 20 i) at least one wired modem (23) operative for transporting data communication signals over the existing wiring, and
 - ii) at least one non-wired modem (53) operative to transporting data communication signals without an electrically-conducting medium.

– 25 –

35. The outlet as in claim 34, being fully integrated with the adapter module.
36. The outlet as in claim 34, being partially integrated with the adapter module.
- 5 37. A method for upgrading existing wiring within a building to support a network for transporting data communication signals, the network having a wired segment and a non-wired segment, the method comprising the steps of:
- 10 (a) providing a wired modem (51);
 - (b) providing a non-wired modem (53);
 - (c) providing an adapter (50) operative for handling data communication signals between the wired segment and the non-wired segment;
 - (d) providing an outlet (132, 134); and
 - 15 (e) equipping said outlet with said wired modem, said non-wired modem, and said adapter.

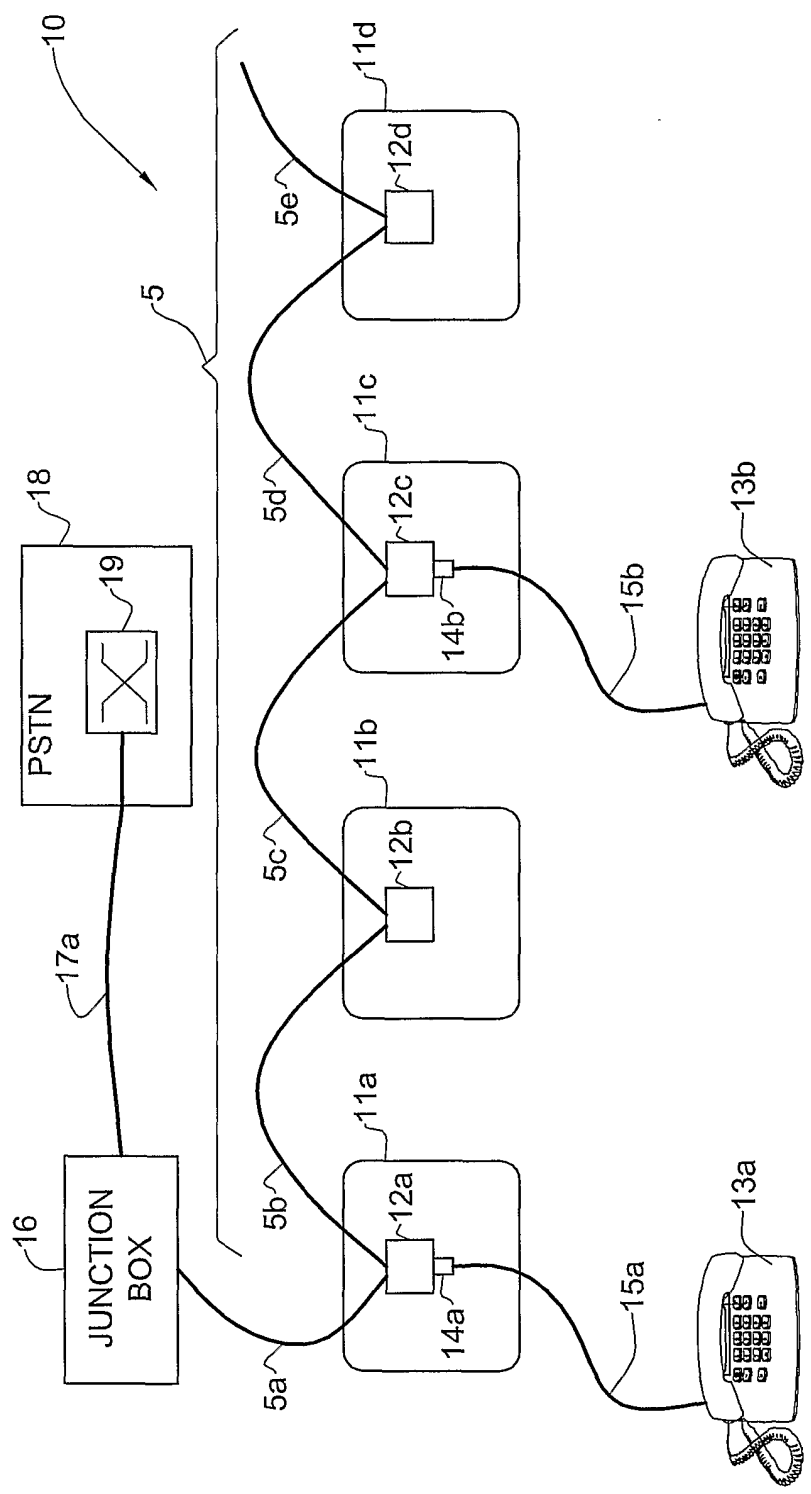


FIG. 1 (PRIOR ART)

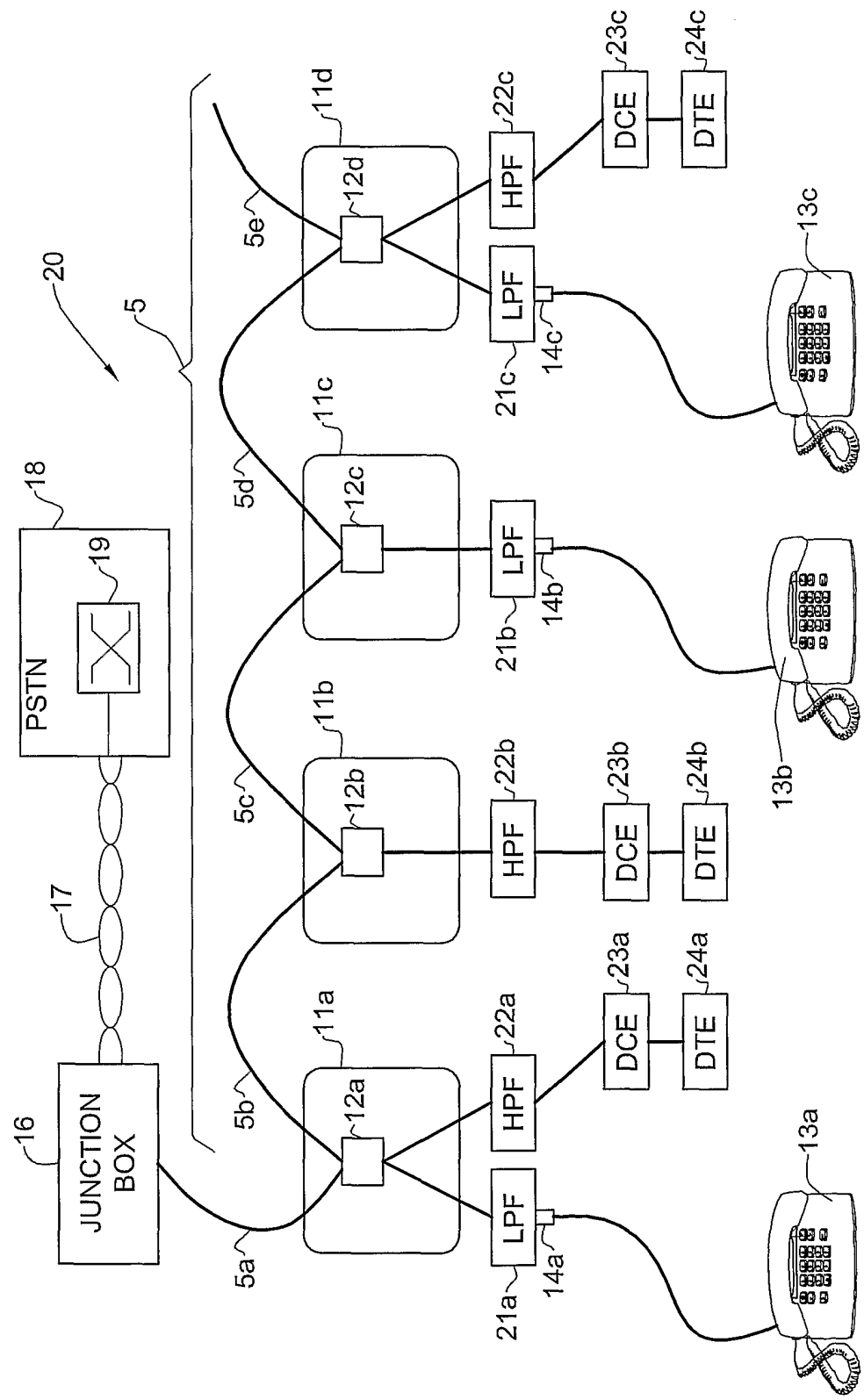


FIG. 2 (PRIOR ART)

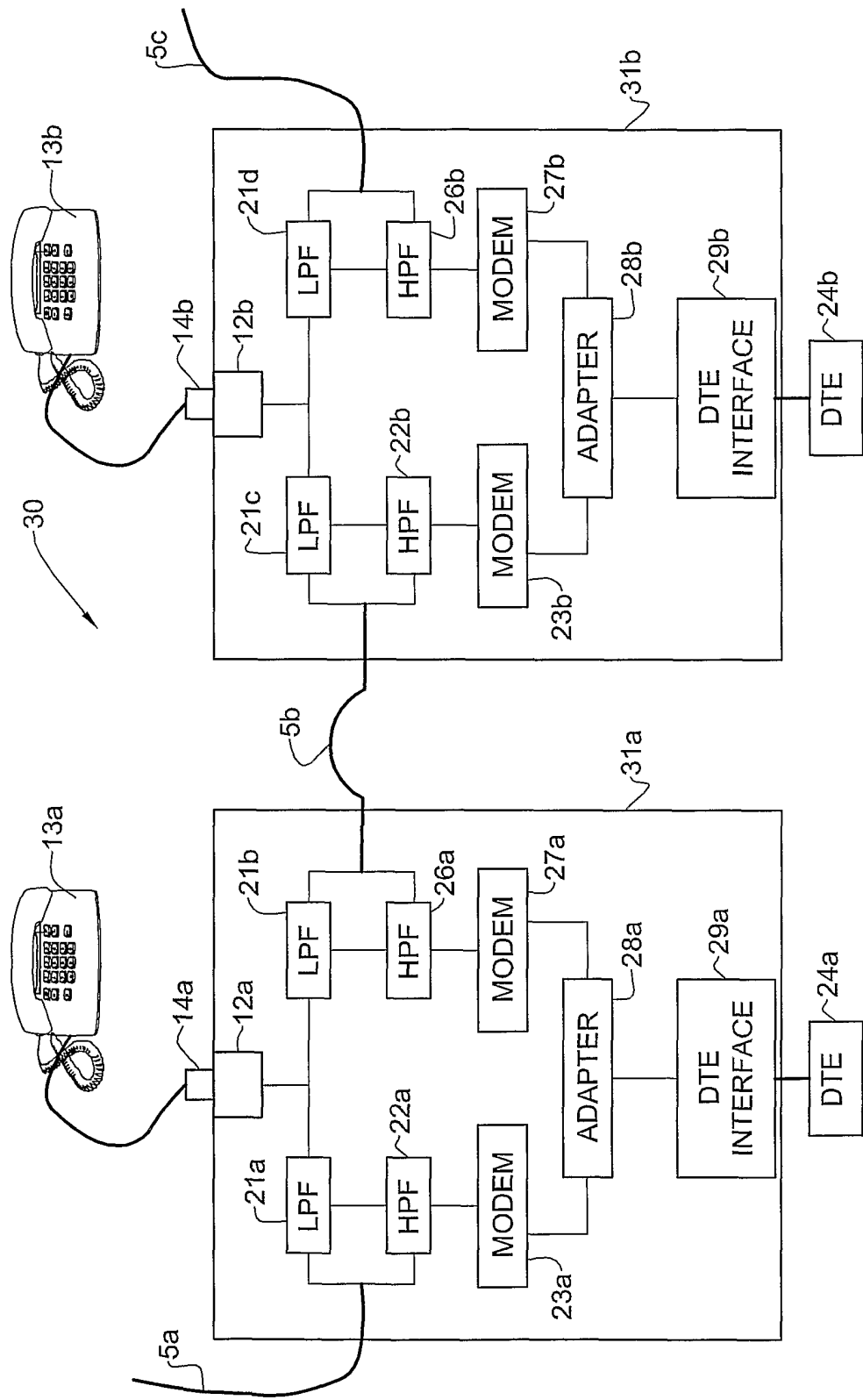


FIG. 3 (PRIOR ART)

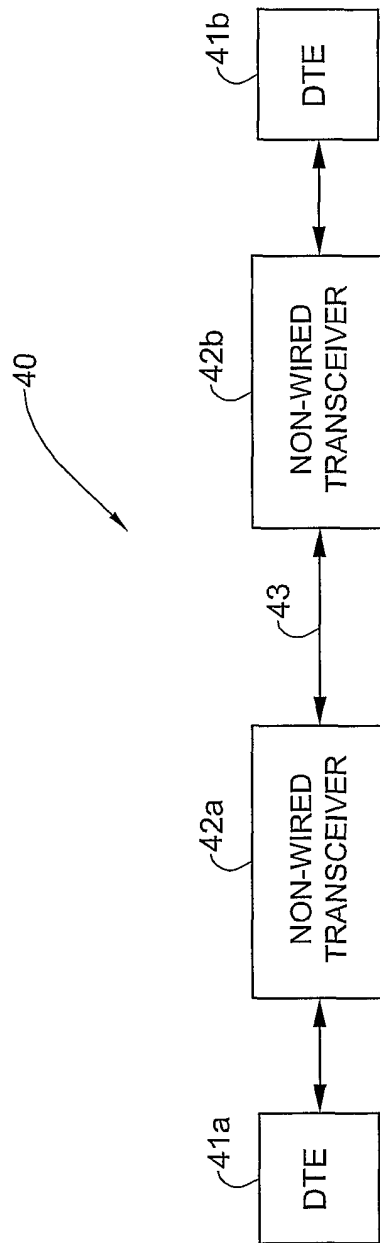


FIG. 4 (PRIOR ART)

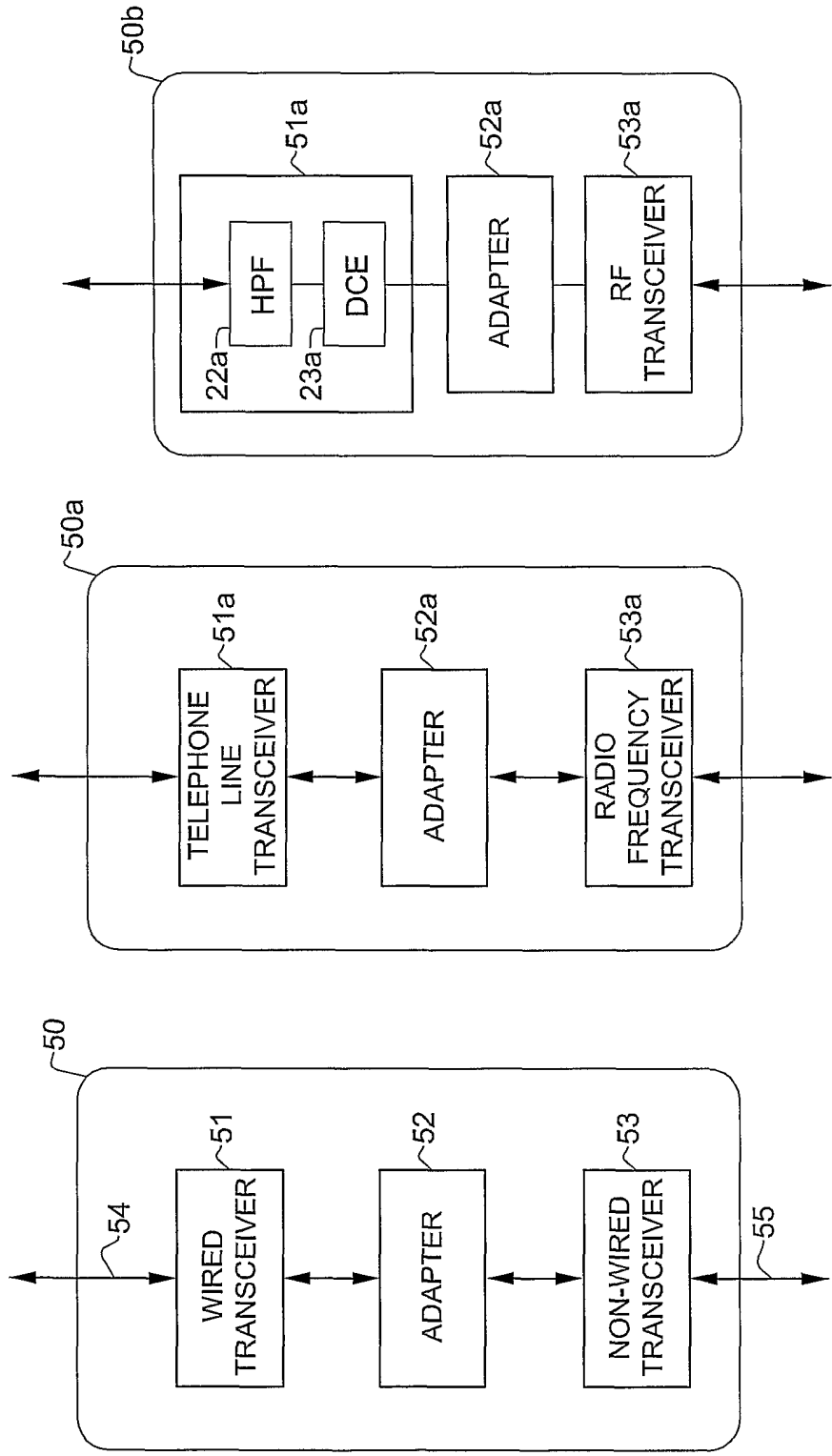


FIG. 5

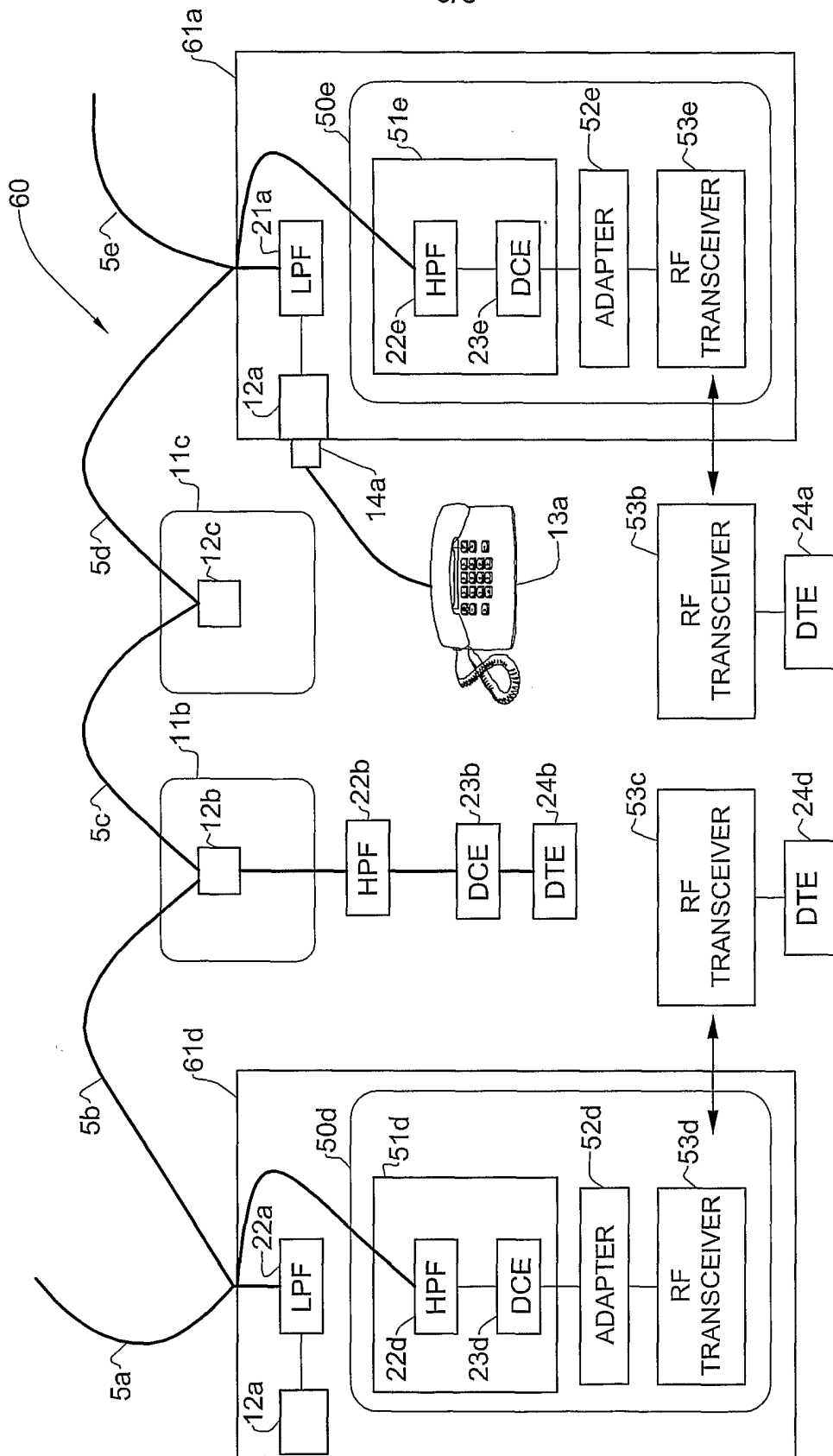


FIG. 6

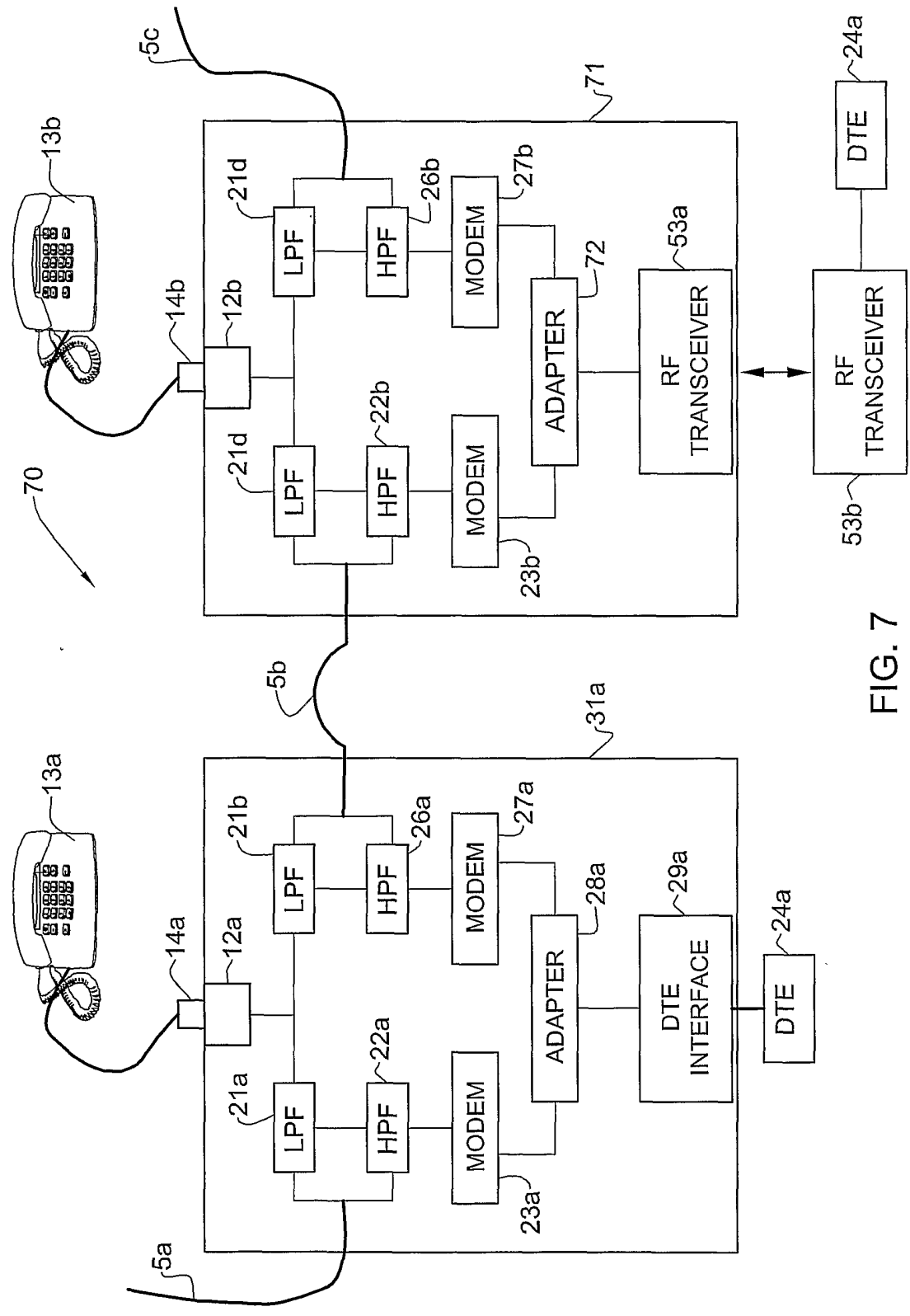


FIG. 7

8/8

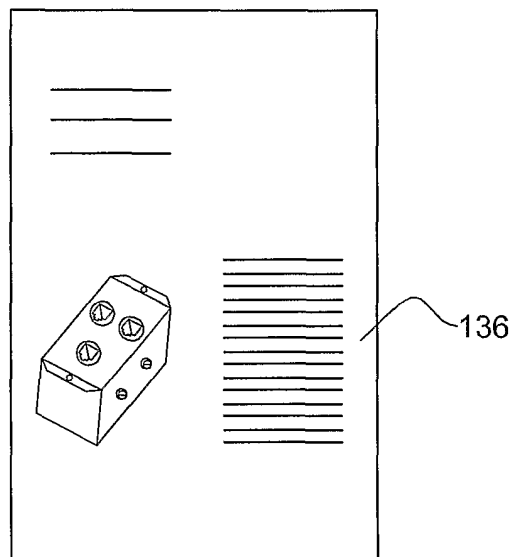
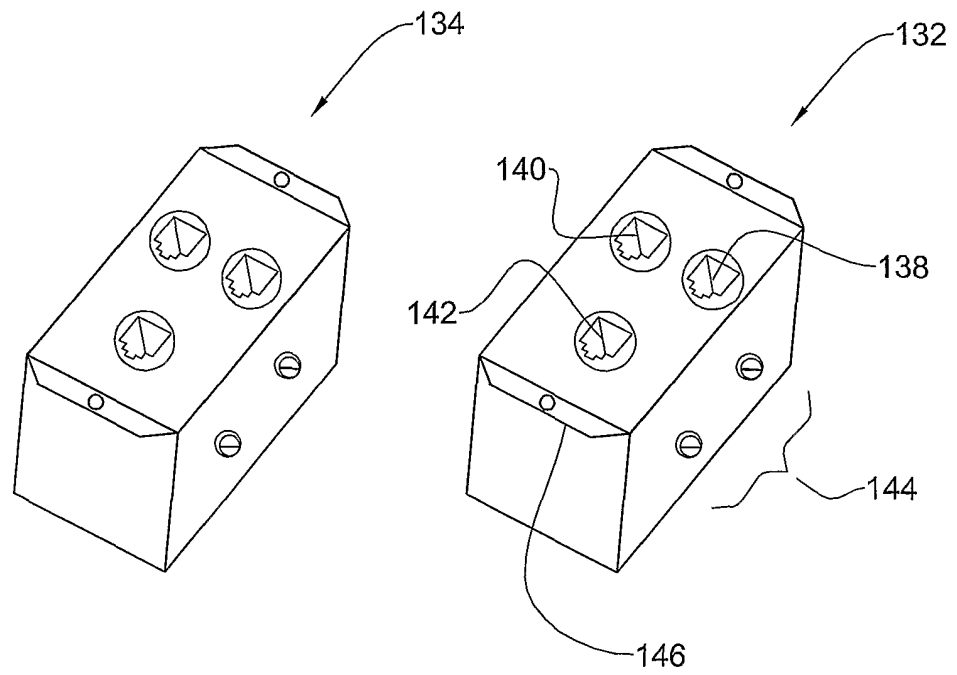


FIG. 8