



- (51) **International Patent Classification:**
B02C 18/22 (2006.01) *B02C 25/00* (2006.01)
B02C 18/14 (2006.01) *A01G 3/00* (2006.01)
- (21) **International Application Number:**
PCT/US2017/030647
- (22) **International Filing Date:**
02 May 2017 (02.05.2017)
- (25) **Filing Language:** English
- (26) **Publication Language:** English
- (30) **Priority Data:**
15/145,653 03 May 2016 (03.05.2016) US
- (71) **Applicant: VERMEER MANUFACTURING COMPANY** [US/US]; 1210 Vermeer Road East, Pella, Iowa 50219 (US).
- (72) **Inventor: HELLAND, Benjamin**; 1710 Vermeer Road East, Pella, Iowa 50219 (US).
- (74) **Agent: QUINN, Anna M.** et al.; 10851 Mastin Boulevard, Building 82, Suite 1000, Overland Park, Kansas 66210-1669 (US).
- (81) **Designated States** (*unless otherwise indicated, for every kind of national protection available*): AE, AG, AL, AM, AO, AT, AU, AZ, BA, BB, BG, BH, BN, BR, BW, BY, BZ, CA, CH, CL, CN, CO, CR, CU, CZ, DE, DJ, DK, DM, DO, DZ, EC, EE, EG, ES, FI, GB, GD, GE, GH, GM, GT, HN, HR, HU, ID, IL, IN, IR, IS, JP, KE, KG, KH, KN, KP, KR, KW, KZ, LA, LC, LK, LR, LS, LU, LY, MA, MD, ME, MG, MK, MN, MW, MX, MY, MZ, NA, NG, NI, NO, NZ, OM, PA, PE, PG, PH, PL, PT, QA, RO, RS, RU, RW, SA, SC, SD, SE, SG, SK, SL, SM, ST, SV, SY, TH, TJ, TM, TN, TR, TT, TZ, UA, UG, US, UZ, VC, VN, ZA, ZM, ZW.

(54) **Title:** INFEED SYSTEMS FOR CHIPPERS OR GRINDERS, AND CHIPPERS AND GRINDERS HAVING SAME

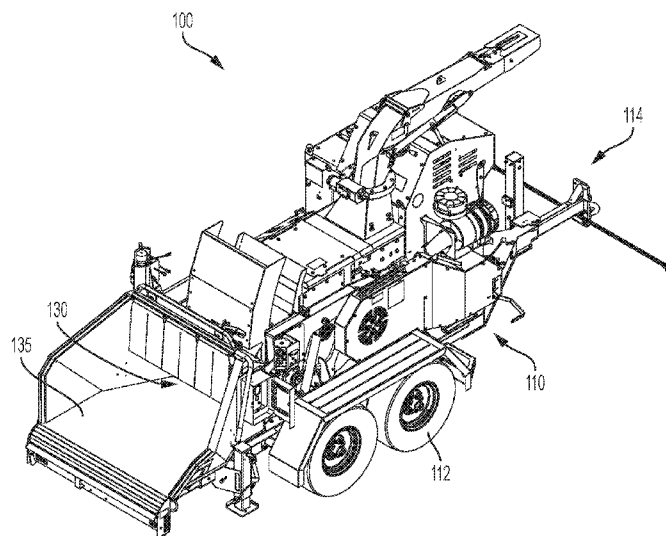


FIG. 1

(57) **Abstract:** An infeed system is provided for a chipper or grinder having a processing portion wherein an item is processed into smaller pieces. The infeed system is upstream of the processing portion and includes a feed roller, a first hydraulic motor in communication with the feed roller for selectively actuating the feed roller, a second hydraulic motor in communication with the feed roller for selectively actuating the feed roller, and a hydraulic pump for providing hydraulic fluid to the first and second motors. A directional control valve and a relational control valve are between the pump and the motors. The directional control valve allows the hydraulic fluid to operate the first and second motors in a forward direction and in a reverse direction, and the relational control valve allows the hydraulic fluid to operate the first and second motors in series and in parallel.



(84) Designated States (*unless otherwise indicated, for every kind of regional protection available*): ARIPO (BW, GH, GM, KE, LR, LS, MW, MZ, NA, RW, SD, SL, ST, SZ, TZ, UG, ZM, ZW), Eurasian (AM, AZ, BY, KG, KZ, RU, TJ, TM), European (AL, AT, BE, BG, CH, CY, CZ, DE, DK, EE, ES, FI, FR, GB, GR, HR, HU, IE, IS, IT, LT, LU, LV, MC, MK, MT, NL, NO, PL, PT, RO, RS, SE, SI, SK, SM, TR), OAPI (BF, BJ, CF, CG, CI, CM, GA, GN, GQ, GW, KM, ML, MR, NE, SN, TD, TG).

Published:

- *with international search report (Art. 21(3))*
- *before the expiration of the time limit for amending the claims and to be republished in the event of receipt of amendments (Rule 48.2(h))*

(88) Date of publication of the international search report:

28 December 2017 (28.12.2017)

INTERNATIONAL SEARCH REPORT

International application No.
PCT/US2017/030647

Box No. II Observations where certain claims were found unsearchable (Continuation of item 2 of first sheet)

This international search report has not been established in respect of certain claims under Article 17(2)(a) for the following reasons:

1. Claims Nos.:
because they relate to subject matter not required to be searched by this Authority, namely:

2. Claims Nos.:
because they relate to parts of the international application that do not comply with the prescribed requirements to such an extent that no meaningful international search can be carried out, specifically:

3. Claims Nos.:
because they are dependent claims and are not drafted in accordance with the second and third sentences of Rule 6.4(a).

Box No. III Observations where unity of invention is lacking (Continuation of item 3 of first sheet)

This International Searching Authority found multiple inventions in this international application, as follows:

see additional sheet

1. As all required additional search fees were timely paid by the applicant, this international search report covers all searchable claims.

2. As all searchable claims could be searched without effort justifying an additional fees, this Authority did not invite payment of additional fees.

3. As only some of the required additional search fees were timely paid by the applicant, this international search report covers only those claims for which fees were paid, specifically claims Nos.:

4. No required additional search fees were timely paid by the applicant. Consequently, this international search report is restricted to the invention first mentioned in the claims; it is covered by claims Nos.:

1-23

Remark on Protest

- The additional search fees were accompanied by the applicant's protest and, where applicable, the payment of a protest fee.
- The additional search fees were accompanied by the applicant's protest but the applicable protest fee was not paid within the time limit specified in the invitation.
- No protest accompanied the payment of additional search fees.

INTERNATIONAL SEARCH REPORT

International application No
PCT/US2017/030647

A. CLASSIFICATION OF SUBJECT MATTER
 INV. B02C18/22 B02C18/14 B02C25/00 A01G3/00
 ADD.
 According to International Patent Classification (IPC) or to both national classification and IPC

B. FIELDS SEARCHED
 Minimum documentation searched (classification system followed by classification symbols)
 B02C A01G

Documentation searched other than minimum documentation to the extent that such documents are included in the fields searched

Electronic data base consulted during the international search (name of data base and, where practicable, search terms used)
 EPO-Internal

C. DOCUMENTS CONSIDERED TO BE RELEVANT

Category*	Citation of document, with indication, where appropriate, of the relevant passages	Relevant to claim No.
A	US 2008/237377 A1 (MAJKRZAK DAVID S [US]) 2 October 2008 (2008-10-02) figures	1-23
A	US 2010/001107 A1 (KALLENBACH MIKEL J [US]) 7 January 2010 (2010-01-07) figures	1-23

Further documents are listed in the continuation of Box C.

See patent family annex.

* Special categories of cited documents :

- "A" document defining the general state of the art which is not considered to be of particular relevance
- "E" earlier application or patent but published on or after the international filing date
- "L" document which may throw doubts on priority claim(s) or which is cited to establish the publication date of another citation or other special reason (as specified)
- "O" document referring to an oral disclosure, use, exhibition or other means
- "P" document published prior to the international filing date but later than the priority date claimed

- "T" later document published after the international filing date or priority date and not in conflict with the application but cited to understand the principle or theory underlying the invention
- "X" document of particular relevance; the claimed invention cannot be considered novel or cannot be considered to involve an inventive step when the document is taken alone
- "Y" document of particular relevance; the claimed invention cannot be considered to involve an inventive step when the document is combined with one or more other such documents, such combination being obvious to a person skilled in the art
- "&" document member of the same patent family

Date of the actual completion of the international search 18 September 2017	Date of mailing of the international search report 28/11/2017
---	---

Name and mailing address of the ISA/ European Patent Office, P.B. 5818 Patentlaan 2 NL - 2280 HV Rijswijk Tel. (+31-70) 340-2040, Fax: (+31-70) 340-3016	Authorized officer Kopacz, Ireneusz
--	---

INTERNATIONAL SEARCH REPORT

Information on patent family members

International application No

PCT/US2017/030647

Patent document cited in search report	Publication date	Patent family member(s)	Publication date
US 2008237377	A1	02-10-2008	NONE

US 2010001107	A1	07-01-2010	CA 2670551 A1 01-01-2010
		US 2010001107 A1	07-01-2010

FURTHER INFORMATION CONTINUED FROM PCT/ISA/ 210

This International Searching Authority found multiple (groups of) inventions in this international application, as follows:

1. claims: 1-23

An infeed system

1.1. claims: 1-11

An infeed system

1.2. claims: 12-20

An infeed system

1.3. claims: 21-23

Chipper or grinder including an infeed system

2. claims: 24, 25

An infeed system
