



US00D513705S

(12) **United States Design Patent**  
**Stekelenburg**

(10) **Patent No.:** **US D513,705 S**

(45) **Date of Patent:** **\*\* Jan. 24, 2006**

(54) **TIMER**

(76) **Inventor:** **Albert Stekelenburg**, 9<sup>th</sup> Fl., 102  
Kuang-Fu S. Rd., Taipei (TW)

(\*\*) **Term:** **14 Years**

(21) **Appl. No.:** **29/204,521**

(22) **Filed:** **Apr. 30, 2004**

(51) **LOC (8) Cl.** ..... **10-03**

(52) **U.S. Cl.** ..... **D10/40**

(58) **Field of Classification Search** ..... D10/40,  
D10/41, 1-5, 15, 30, 31, 97; D13/137.1,  
D13/138.1, 139.8, 139.6, 137.3; 307/141,  
307/141.4; 368/97-123, 276-278, 316, 317,  
368/285, 10; 200/33 R, 38 R, 38 DA, 38 D,  
200/38 A, 38 F

See application file for complete search history.

(56) **References Cited**

**U.S. PATENT DOCUMENTS**

D431,787 S \* 10/2000 Stekelenburg ..... D10/40

D432,030 S \* 10/2000 Stekelenburg ..... D10/40  
D432,441 S \* 10/2000 Stekelenburg ..... D10/40  
D449,542 S \* 10/2001 Stekelenburg ..... D10/40  
D455,360 S \* 4/2002 Stekelenburg ..... D10/40  
D458,156 S \* 6/2002 Stekelenburg ..... D10/40  
D459,243 S \* 6/2002 Stekelenburg ..... D10/40  
D478,014 S \* 8/2003 Stekelenburg ..... D10/40

\* cited by examiner

*Primary Examiner*—Lucy Lieberman

(74) *Attorney, Agent, or Firm*—Troxell Law Office, PLLC

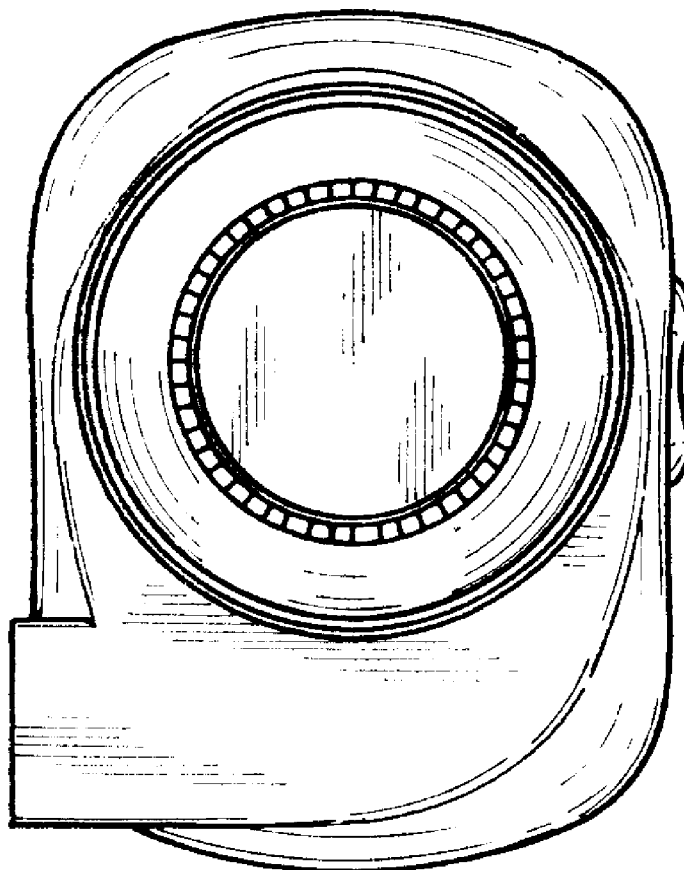
(57) **CLAIM**

The ornamental design for a timer, as shown and described.

**DESCRIPTION**

FIG. 1 is a top view of a timer showing my new design;  
FIG. 2 is a front view thereof;  
FIG. 3 is a left side elevational view thereof;  
FIG. 4 is a bottom view thereof;  
FIG. 5 is a right side view thereof; and,  
FIG. 6 is a rear view thereof.

**1 Claim, 2 Drawing Sheets**



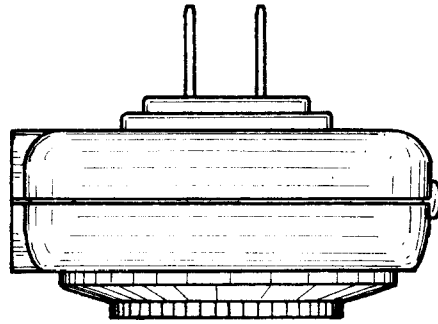


FIG. 1

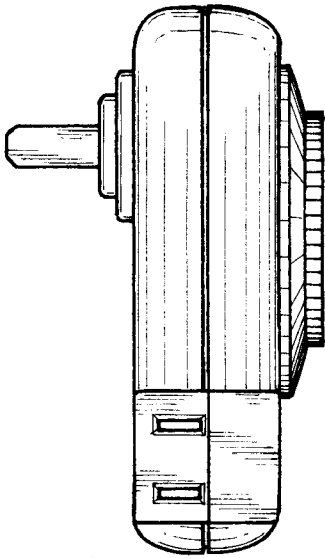


FIG. 3

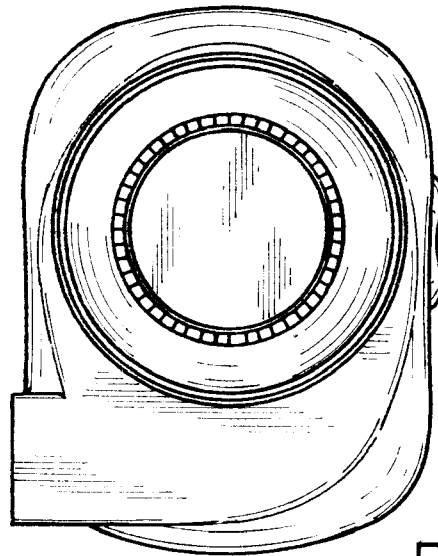


FIG. 2

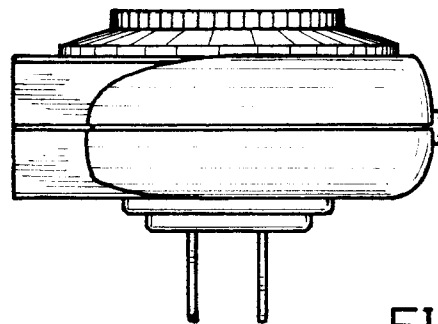


FIG. 4

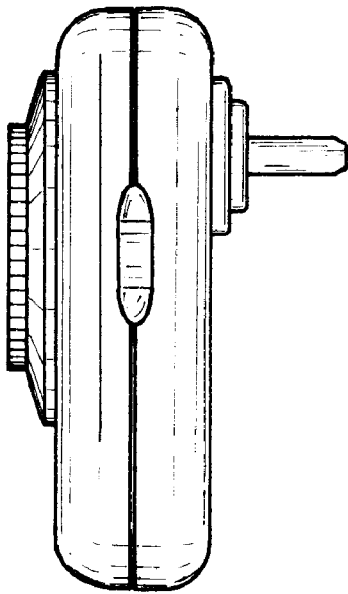


FIG. 5

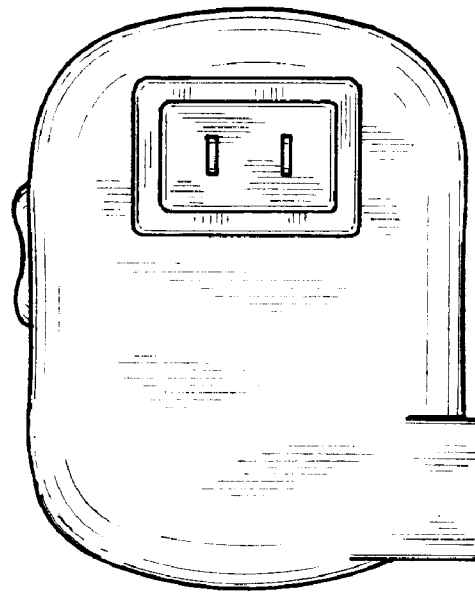


FIG. 6