



US00D720187S

(12) **United States Design Patent**  
**Romley**

(10) **Patent No.:** **US D720,187 S**

(45) **Date of Patent:** **\*\* Dec. 30, 2014**

- (54) **MUG**
- (71) Applicant: **Michael Romley**, Phoenix, AZ (US)
- (72) Inventor: **Michael Romley**, Phoenix, AZ (US)
- (\*\*) Term: **14 Years**
- (21) Appl. No.: **29/462,689**
- (22) Filed: **Aug. 7, 2013**
- (51) **LOC (10) Cl.** ..... **07-01**
- (52) **U.S. Cl.**  
USPC ..... **D7/536; D7/532**
- (58) **Field of Classification Search**  
USPC ..... D7/509, 523, 532, 524, 533, 536, 525,  
D7/529, 624.2, 607, 566, 558, 537, 531,  
D7/691; 215/374, 377; 220/703, 704,  
220/592.16, 592.17; 229/128; D34/1  
See application file for complete search history.

5,904,268 A *	5/1999	Daly	.....	220/703
D416,444 S *	11/1999	Jørgensen	.....	D7/536
D534,396 S *	1/2007	Kramer	.....	D7/532
D562,072 S *	2/2008	Wahl	.....	D7/510
D567,568 S *	4/2008	Bodum	.....	D7/316
8,028,850 B2 *	10/2011	Zimmerman	.....	220/23.89
D656,361 S *	3/2012	Gilbert	.....	D7/536
D659,474 S *	5/2012	Wahl et al.	.....	D7/510
D679,947 S *	4/2013	Romley	.....	D7/532
D680,378 S *	4/2013	Romley	.....	D7/536

\* cited by examiner

*Primary Examiner* — Marianne Pandozzi  
(74) *Attorney, Agent, or Firm* — Venjuris, PC

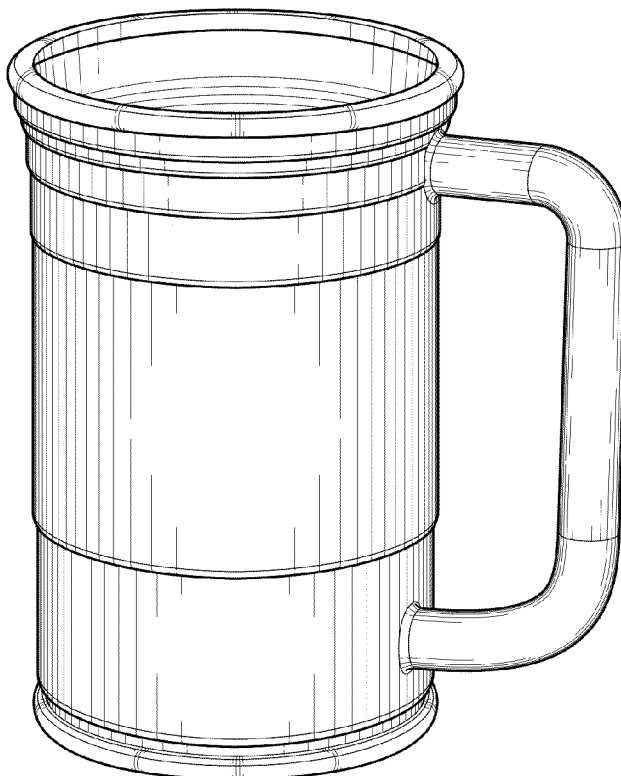
(57) **CLAIM**  
The ornamental design for a mug, as shown and described.

**DESCRIPTION**

FIG. 1 is a top front perspective view of a mug embodying the new design;  
FIG. 2 is a rear view of the mug of FIG. 1;  
FIG. 3 is a left side view of the mug of FIG. 1;  
FIG. 4 is a right side view of the mug of FIG. 1;  
FIG. 5 is a top view of the mug of FIG. 1;  
FIG. 6 is a bottom view of the mug of FIG. 1; and,  
FIG. 7 is a sectional view of the mug taken along cut line 7-7 of FIG. 5.

**1 Claim, 5 Drawing Sheets**

- (56) **References Cited**  
U.S. PATENT DOCUMENTS  
D356,503 S \* 3/1995 Mueller et al. .... D7/523  
5,400,907 A \* 3/1995 Chen ..... 206/459.1  
D356,925 S \* 4/1995 Wonder ..... D7/536  
D383,039 S \* 9/1997 Densmore ..... D7/536  
5,803,306 A \* 9/1998 Lewis ..... 220/662



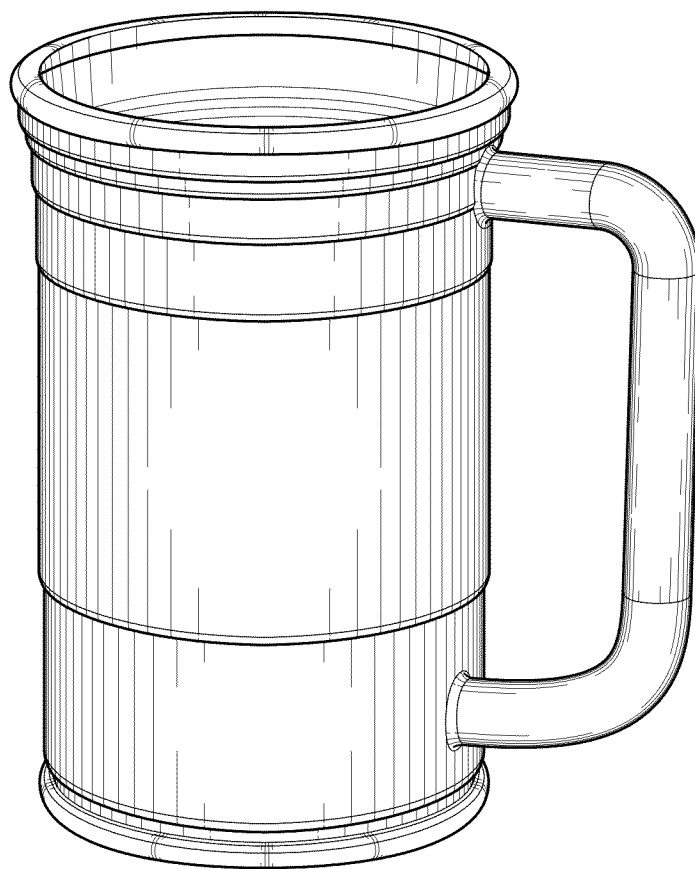


FIG. 1

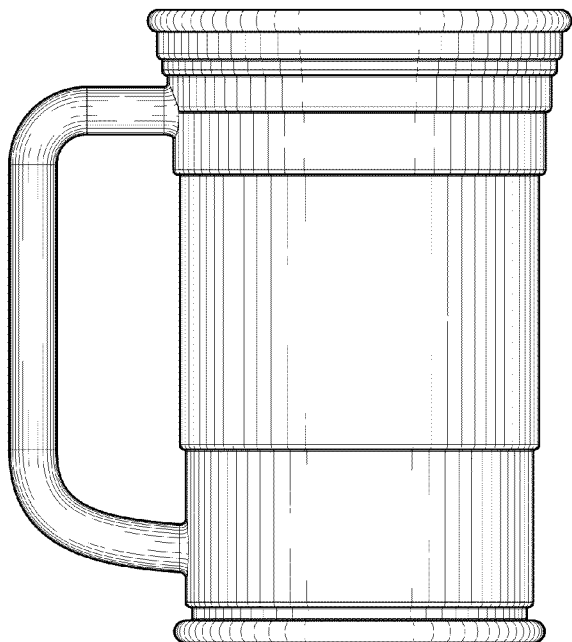


FIG. 2

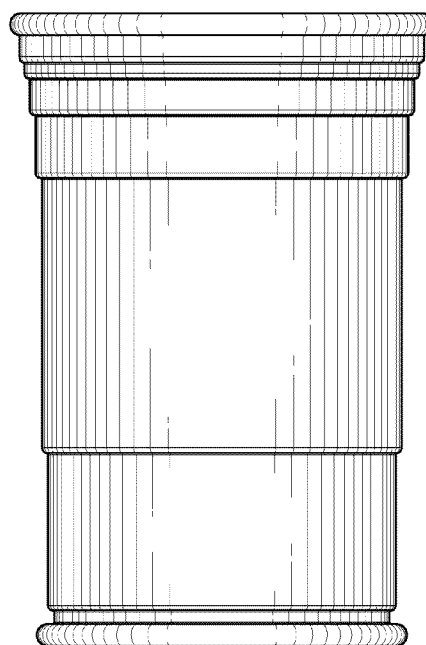


FIG. 3

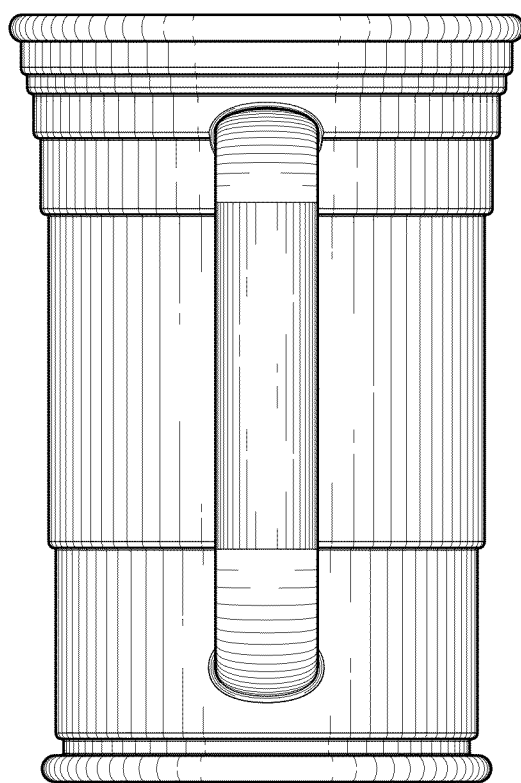


FIG. 4

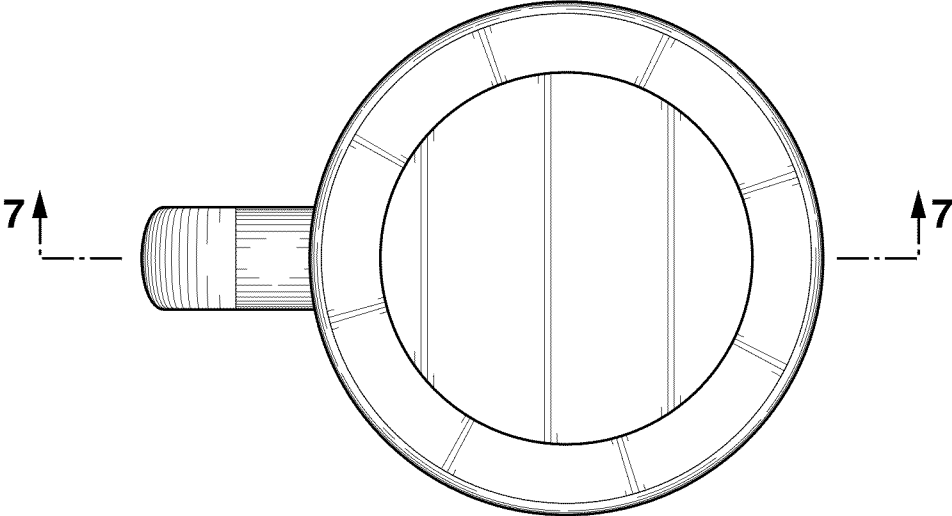


FIG. 5

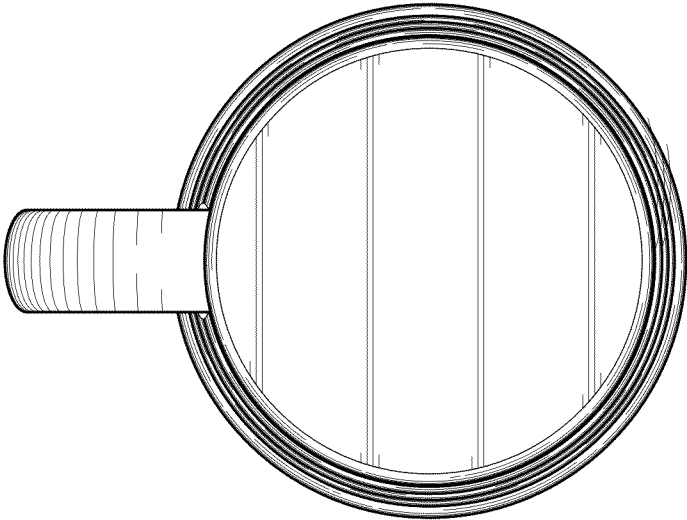


FIG. 6

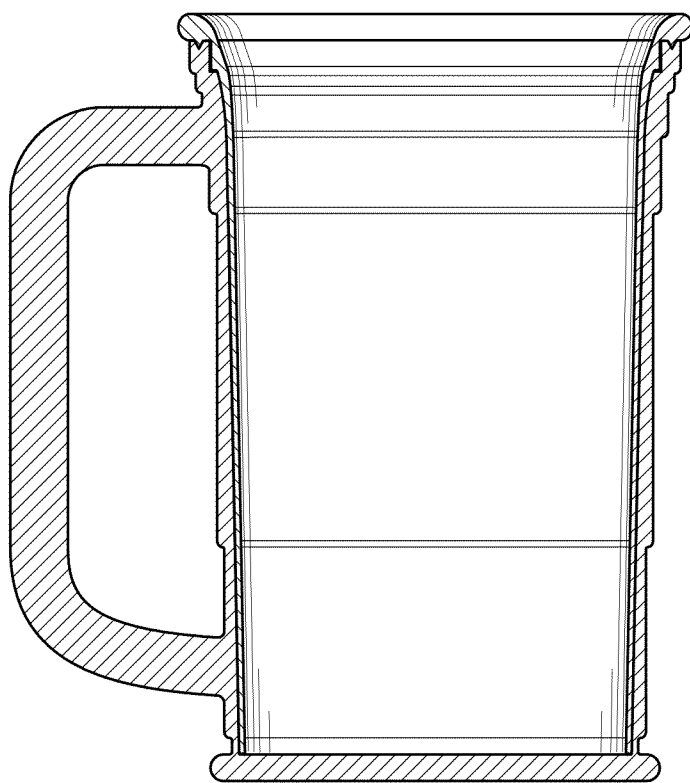


FIG. 7