



US00D997119S

(12) **United States Design Patent**
Valeur

(10) **Patent No.:** **US D997,119 S**

(45) **Date of Patent:** **** *Aug. 29, 2023**

- (54) **LOUDSPEAKER**
- (71) Applicant: **Bang & Olufsen A/S**, Struer (DK)
- (72) Inventor: **Torsten Valeur**, Copenhagen V (DK)
- (73) Assignee: **Bang & Olufsen A/S**, Struer (DK)
- (*) Notice: This patent is subject to a terminal disclaimer.
- (**) Term: **15 Years**
- (21) Appl. No.: **29/798,789**
- (22) Filed: **Jul. 9, 2021**
- (51) **LOC (14) Cl.** **14-01**
- (52) **U.S. Cl.**
USPC **D14/204**
- (58) **Field of Classification Search**
USPC D14/170–172, 188, 203.1, 203.3, 203.6,
D14/204, 214, 216, 348
CPC . H04R 1/02; H04R 1/023; H04R 5/02; H04R
7/00; H04R 7/02; H04R 9/06; H04R
2400/00
See application file for complete search history.

D565,540 S	4/2008	Kim et al.	
D565,546 S *	4/2008	Han	D14/214
D566,685 S	4/2008	Koller et al.	
D571,744 S	6/2008	Wang	
D581,397 S *	11/2008	Masui	D14/214
D585,422 S *	1/2009	Hernandez	D14/214
D586,782 S	2/2009	Kim	
D644,248 S	8/2011	Kim et al.	
D673,129 S	12/2012	Kumano	
D717,808 S	11/2014	Tsuru et al.	
D718,276 S	11/2014	Yamamoto	
D754,086 S *	4/2016	Valeur	D14/126
D754,627 S	4/2016	Fustino	
D768,109 S	10/2016	Ohno	

(Continued)

OTHER PUBLICATIONS

Office Action for U.S. Appl. No. 29/798,786, dated Jan. 19, 2023, Valeur, "Loudspeaker", 10 Pages.
(Continued)

Primary Examiner — Janice Patyk
(74) *Attorney, Agent, or Firm* — Lee & Hayes, P.C.

(57) **CLAIM**
The ornamental design for a loudspeaker, as shown and described.

DESCRIPTION

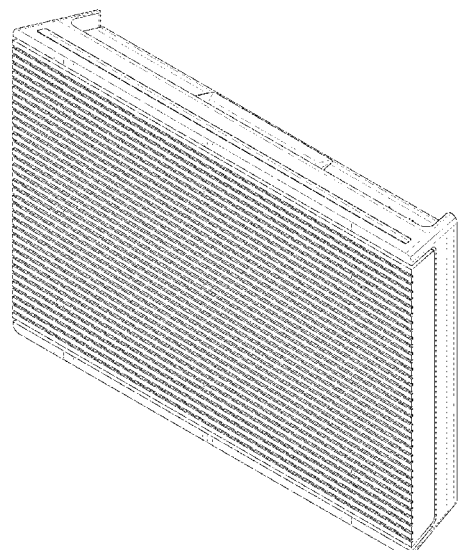
FIG. 1 is a front perspective view of a loudspeaker, showing my new design;
FIG. 2 is a back perspective view thereof;
FIG. 3 is a front view thereof;
FIG. 4 is a back view thereof;
FIG. 5 is a left-side view thereof;
FIG. 6 is a right-side view thereof;
FIG. 7 is a top view thereof; and,
FIG. 8 is a bottom view thereof.
The broken lines in the figures illustrate the portions of the loudspeaker that form no part of the claimed design.

1 Claim, 8 Drawing Sheets

(56) **References Cited**

U.S. PATENT DOCUMENTS

D248,297 S *	6/1978	Rams	D14/214
D307,015 S	4/1990	Irby	
D392,977 S *	3/1998	Kim	D14/219
D407,405 S *	3/1999	Chiu	D14/197
D425,897 S *	5/2000	Cho	D14/214
D428,612 S *	7/2000	Scorrano	D14/194
D473,209 S *	4/2003	Solland	D14/188
D505,427 S	5/2005	Bain	
D506,204 S	6/2005	Bain	
D528,111 S	9/2006	Jackson, Jr.	
D555,633 S	11/2007	Kim et al.	
D562,801 S	2/2008	Kim et al.	
D564,497 S	3/2008	Langberg et al.	



(56)

References Cited

U.S. PATENT DOCUMENTS

D846,028	S	4/2019	Svihilik	
D870,074	S	12/2019	Valeur	
D883,952	S	5/2020	Lucas et al.	
D886,800	S *	6/2020	Modestine	D14/214
D889,429	S	7/2020	Brandston	
D899,404	S *	10/2020	Adrian	D11/155
2002/0176597	A1	11/2002	Petroff et al.	
2007/0115619	A1	5/2007	Wang et al.	
2019/0238986	A1	8/2019	Ikeuchi	
2021/0337313	A1	10/2021	Leem	
2022/0150636	A1	5/2022	Chou et al.	

OTHER PUBLICATIONS

Office Action for U.S. Appl. No. 29/798,793, dated Jan. 19, 2023, Valeur, "Loudspeaker", 9 Pages.
Office Action for U.S. Appl. No. 29/798,799, dated Jan. 19, 2023, Valeur, "Loudspeaker", 9 Pages.
Office Action for U.S. Appl. No. 29/798,788, dated Jan. 27, 2023, Valeur, "Loudspeaker", 9 pages.

* cited by examiner

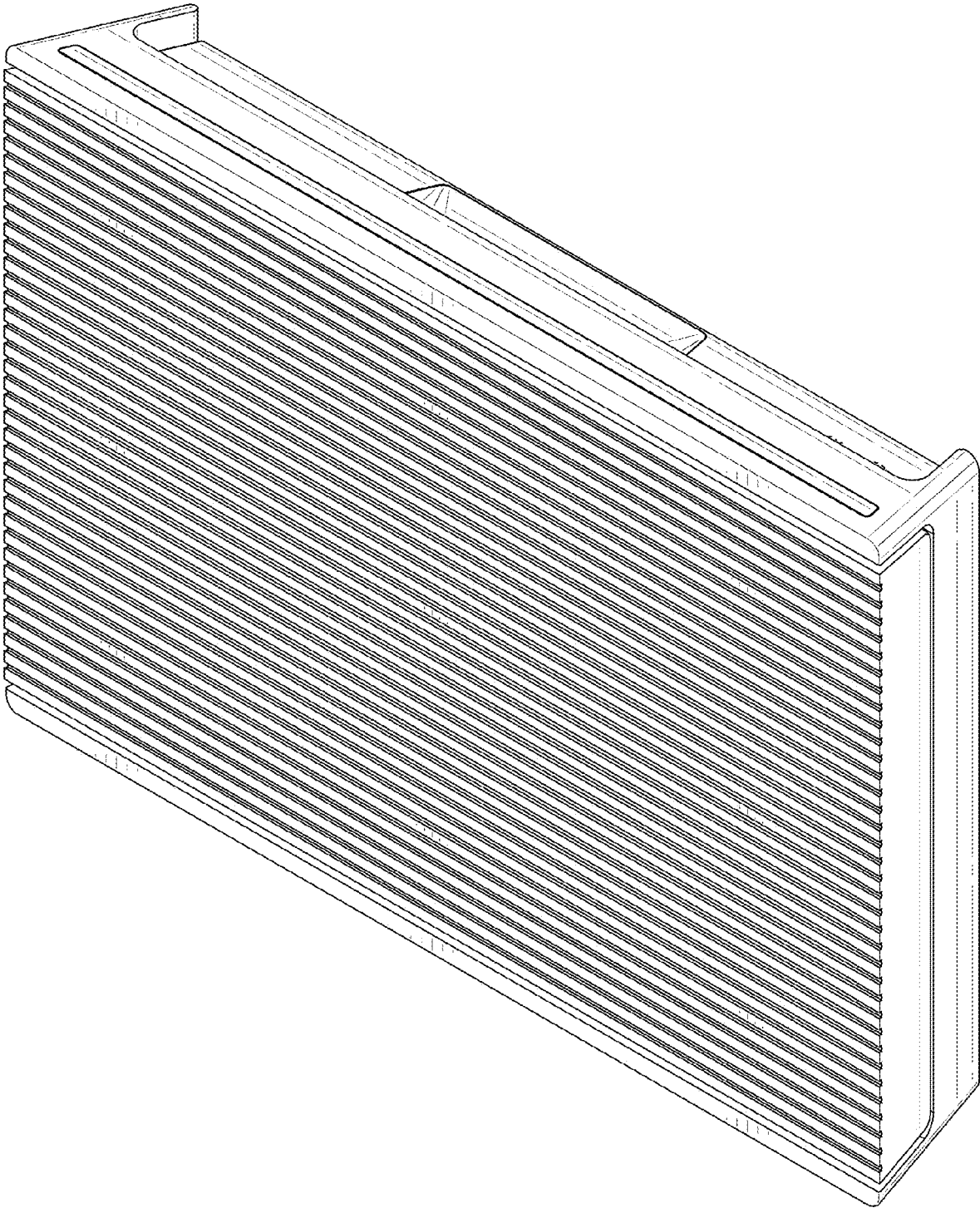


FIG. 1

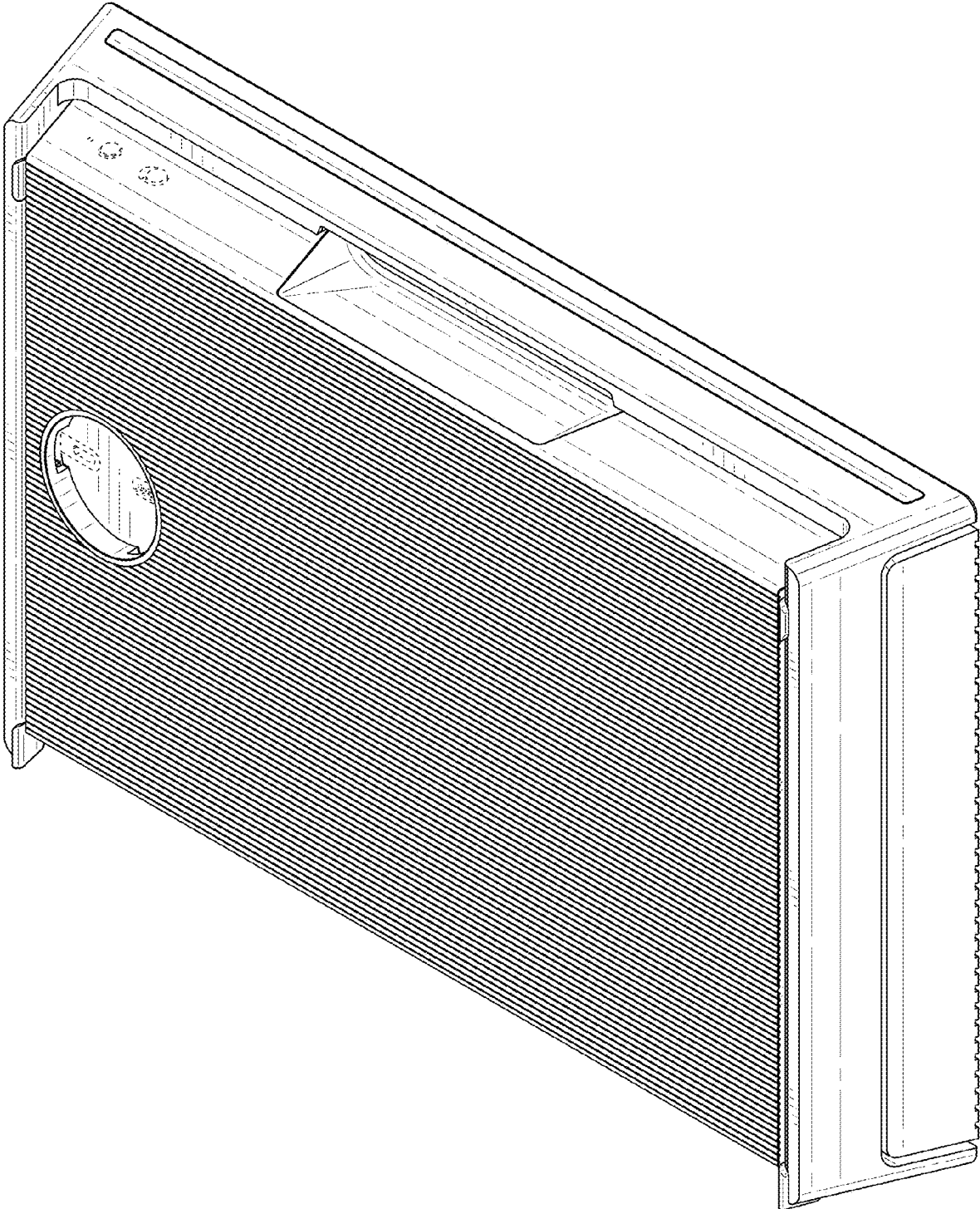


FIG. 2

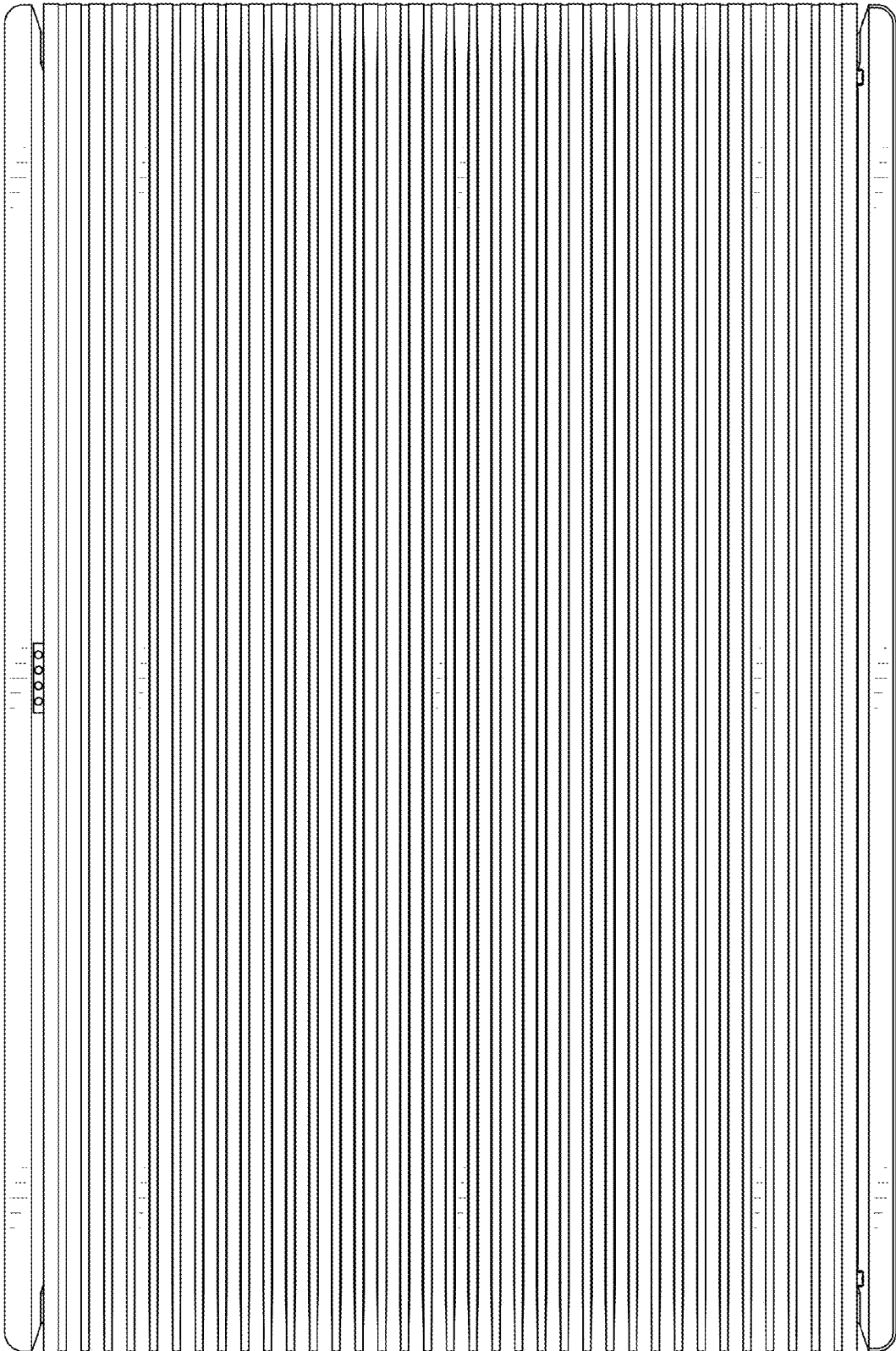


FIG. 3

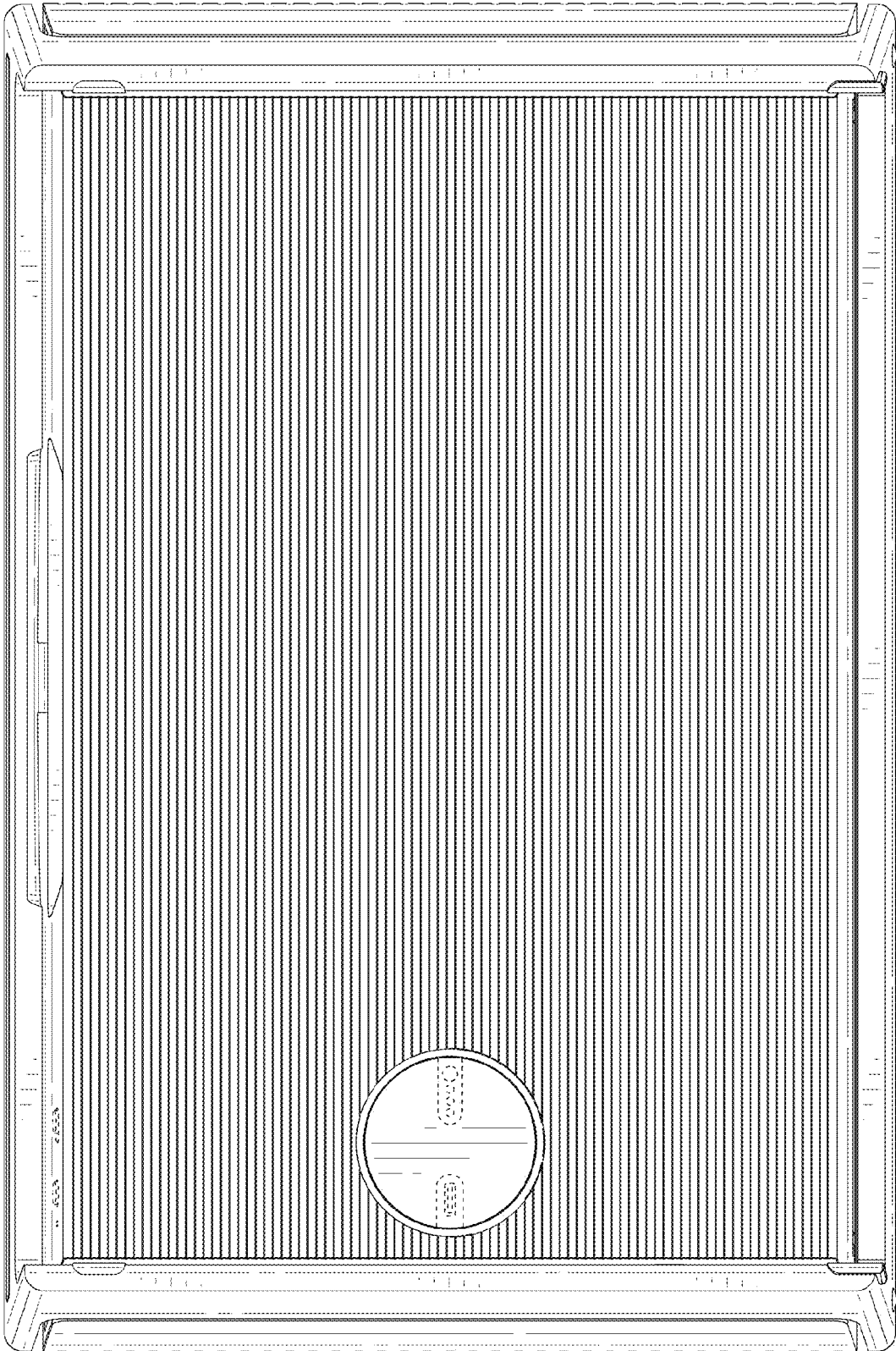


FIG. 4

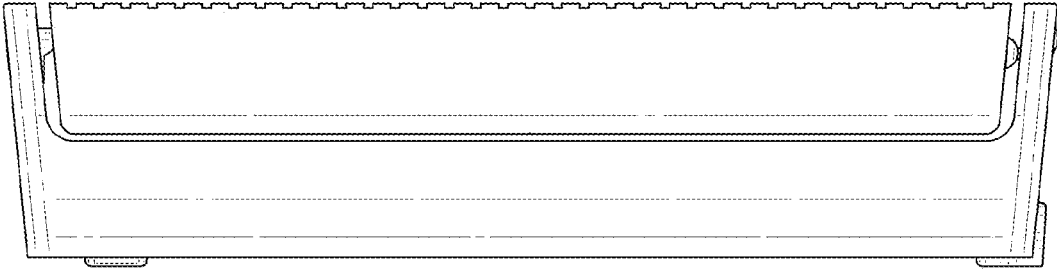


FIG. 5

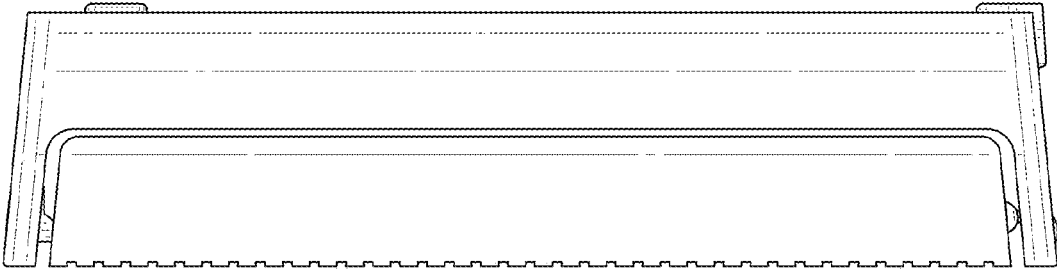


FIG. 6

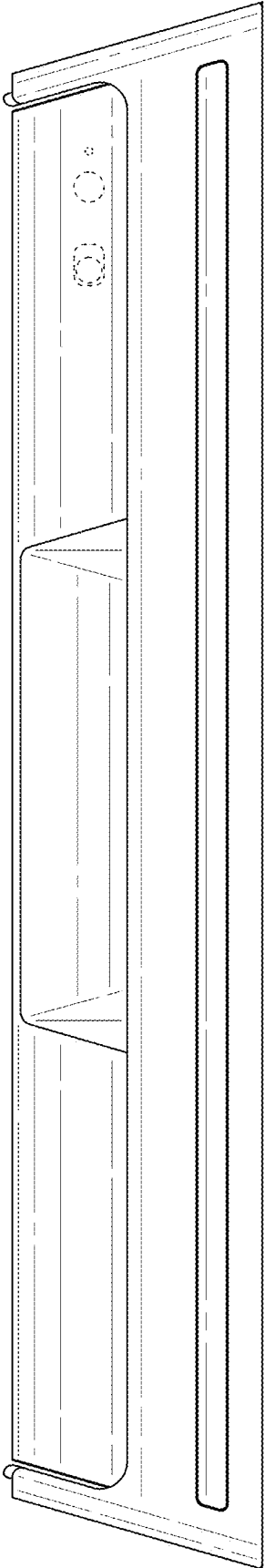


FIG. 7

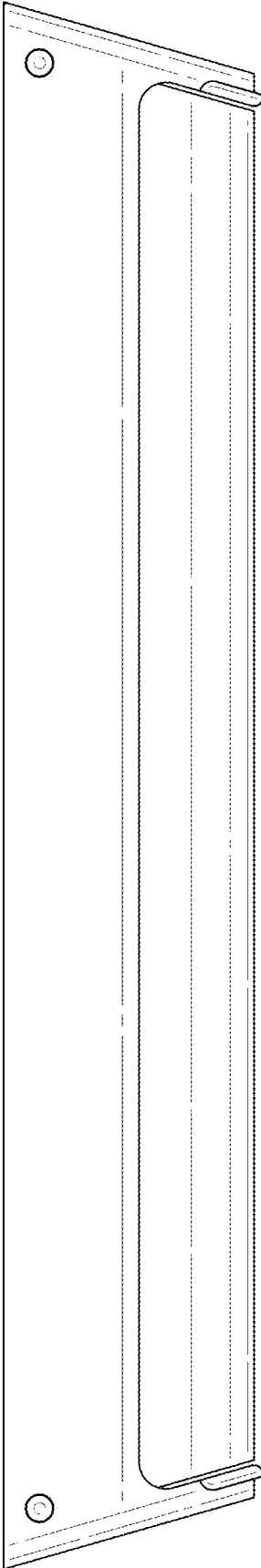


FIG. 8