



US00D331350S

United States Patent [19] Hing

[11] **Patent Number: Des. 331,350**

[45] **Date of Patent: ** Dec. 1, 1992**

[54] **REFLECTIVE TOP COVER FOR A SOLAR OVEN**

4,236,508 12/1980 Kew 126/451
4,498,265 2/1985 Leflar et al. 126/450

[76] **Inventor: Ally O. Hing, 1251 Main St., Superior, Ariz. 85273**

Primary Examiner—A. Hugo Word
Assistant Examiner—Ruth McInroy
Attorney, Agent, or Firm—Warren F. B. Lindsley

[**] **Term: 14 Years**

[57] **CLAIM**

[21] **Appl. No.: 612,886**

The ornamental design for a reflective top cover for a solar oven, as shown and described.

[22] **Filed: Nov. 14, 1990**

[52] **U.S. Cl. D7/405**

[58] **Field of Search D7/324, 402, 405; 126/450, 451, 438, 440, 198, 200, 273 R, 275 R; D9/423, 432**

DESCRIPTION

FIG. 1 is a top, front and left side perspective view of a reflective top cover for a solar oven showing my new design;

[56] **References Cited**

U.S. PATENT DOCUMENTS

D. 40,062 6/1909 Huenefeld D7/405
D. 268,098 3/1983 Brown D9/432

FIG. 2 is a right side elevational view thereof;

FIG. 3 is a front elevational view thereof;

FIG. 4 is a rear elevational view thereof;

FIG. 5 is a top plan view thereof; and,

FIG. 6 is a bottom plan view thereof.

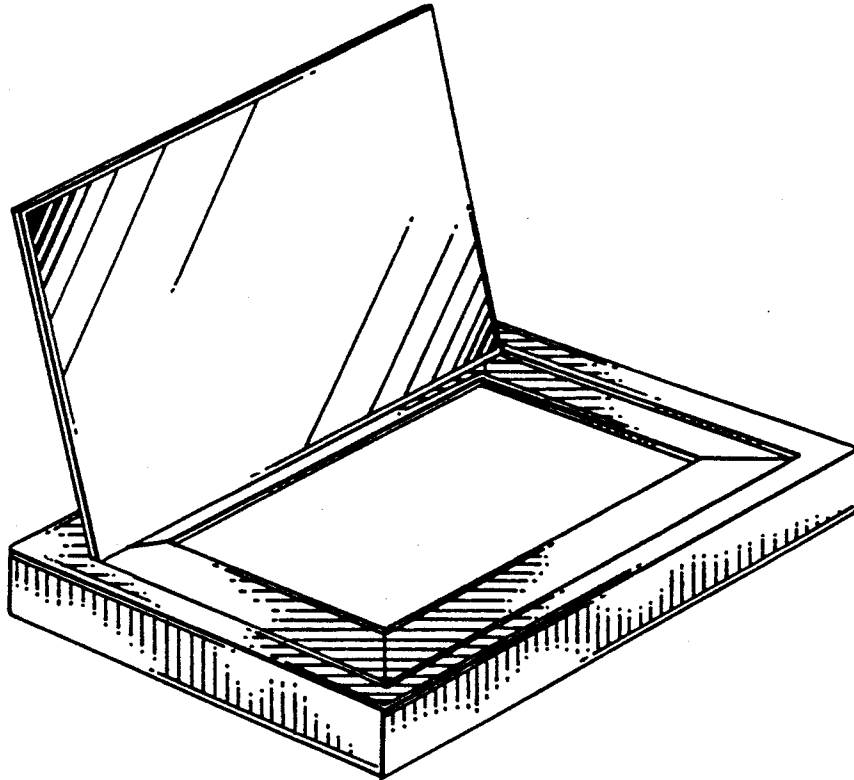


FIG. 1

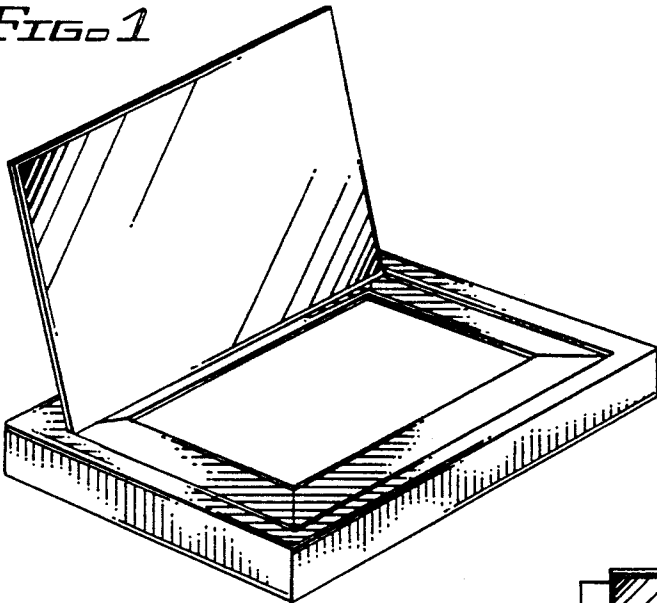


FIG. 2

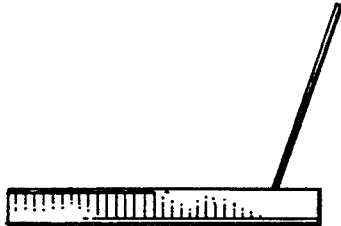


FIG. 3

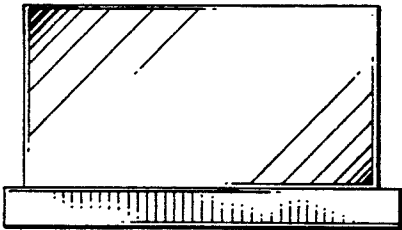


FIG. 5

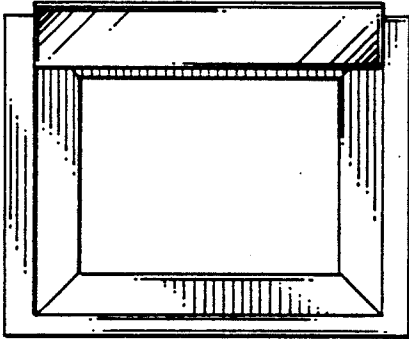


FIG. 4

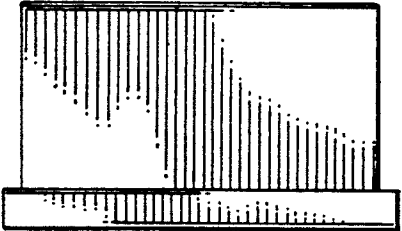


FIG. 6

