



US00D644859S

(12) **United States Design Patent**  
**Buckles et al.**

(10) **Patent No.:** **US D644,859 S**

(45) **Date of Patent:** **\*\* Sep. 13, 2011**

(54) **GEL PACK FOR A COOLER**  
  
(75) Inventors: **John Buckles**, Chicago, IL (US); **Daniel Noe**, Frisco, TX (US); **Gregory Butz**, Glenview, IL (US); **Shereen Besselle**, Bronx, NY (US); **Adam Harter**, Danbury, CT (US); **Emad Jafa**, Brewster, NY (US)

(73) Assignee: **PepsiCo, Inc.**, Purchase, NY (US)

(\*\*) Term: **14 Years**

(21) Appl. No.: **29/378,871**

(22) Filed: **Nov. 10, 2010**

**Related U.S. Application Data**

(62) Division of application No. 29/332,407, filed on Feb. 13, 2009, now Pat. No. Des. 635,795.

(51) **LOC (9) Cl.** ..... **06-04**

(52) **U.S. Cl.** ..... **D6/491**; D7/605

(58) **Field of Classification Search** ..... D6/491;  
62/57.2, 530; D15/90, 89; D7/605-608;  
206/209.1, 508; 224/414

See application file for complete search history.

(56) **References Cited**

**U.S. PATENT DOCUMENTS**

401,829 A	4/1889	Hall
855,565 A	6/1907	Greenhouse
1,581,749 A	4/1926	Mahony
1,813,190 A	7/1931	Morin
2,384,156 A	9/1945	Burdette
2,501,772 A	3/1950	Guard
2,740,546 A	4/1956	Kowalski
2,988,333 A	6/1961	Mesic
3,352,427 A	11/1967	Lawrence et al.
3,401,535 A	9/1968	Palmer
3,605,435 A	9/1971	Taylor
3,848,766 A	11/1974	Ganti et al.
D240,888 S	8/1976	Roussel

4,011,954 A	3/1977	Galli	
4,266,407 A	5/1981	Gibson	
4,286,440 A	9/1981	Taylor	
4,311,022 A *	1/1982	Hall	62/457.2
D266,183 S	9/1982	Snow	
4,656,840 A *	4/1987	Loofbourrow et al.	62/530
D289,597 S	5/1987	Averitt	
4,747,274 A	5/1988	Duemmig-Zitzmann	
4,775,055 A	10/1988	Morse	
4,899,553 A	2/1990	Drummond, III	
D307,997 S	5/1990	Bernstein	
5,095,718 A	3/1992	Ormond et al.	
5,101,642 A	4/1992	Alexandrov	
D330,513 S	10/1992	Gilchrist	
D332,664 S	1/1993	Sincock	
5,181,394 A	1/1993	Schea, III et al.	
D336,595 S *	6/1993	Jones	D15/90
5,215,208 A	6/1993	Jackson	
5,277,328 A	1/1994	Tocco	
5,350,081 A	9/1994	Graham	

(Continued)

*Primary Examiner* — Philip S Hyder

*Assistant Examiner* — Sydney Buffalow

(74) *Attorney, Agent, or Firm* — Banner & Witcoff, Ltd.

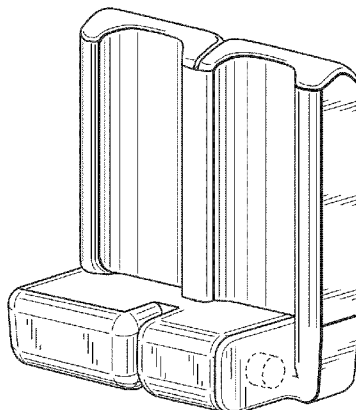
(57) **CLAIM**

The ornamental design for a gel pack for a cooler, as shown and described.

**DESCRIPTION**

FIG. 1 is a front, right perspective view of a gel pack for a cooler showing our new design;  
FIG. 2 is a top view thereof;  
FIG. 3 is a front view thereof;  
FIG. 4 is a left side view thereof;  
FIG. 5 is a right side view thereof;  
FIG. 6 is a rear view thereof; and,  
FIG. 7 is a bottom view thereof.  
The broken lines shown in the drawings are directed to unclaimed portions of the design, are for informational purposes only, and form no part of the claimed design.

**1 Claim, 3 Drawing Sheets**



# US D644,859 S

Page 2

## U.S. PATENT DOCUMENTS

D351,532	S	*	10/1994	Wolfenden .....	D7/605	6,491,179	B2 12/2002 Dokun
5,375,716	A		12/1994	Rubin et al.		D473,572	S * 4/2003 Linberg et al. .... D15/90
5,448,844	A		9/1995	Miller, Jr. et al.		D480,273	S 10/2003 Cordwell
D369,415	S		4/1996	Boulton et al.		6,640,551	B1 11/2003 Stone et al.
5,509,279	A		4/1996	Brown et al.		6,796,441	B2 9/2004 Tremblay
5,522,239	A		6/1996	Schwartz et al.		6,817,473	B2 * 11/2004 Schwaikert ..... 206/508
5,546,818	A		8/1996	Keefer		6,851,276	B2 2/2005 Perrins
5,564,288	A		10/1996	Lewis		6,920,995	B2 7/2005 Bowen et al.
5,641,080	A		6/1997	Humphrey et al.		6,990,831	B2 1/2006 Fiene
5,689,970	A		11/1997	Chopas		7,032,753	B2 4/2006 Purvis
5,758,513	A		6/1998	Smith		7,040,115	B1 5/2006 Lopez et al.
5,806,338	A		9/1998	Schwartz et al.		D527,225	S 8/2006 Krieger et al.
5,816,432	A		10/1998	Hammen et al.		D528,368	S 9/2006 Maldonado
5,878,593	A		3/1999	Lane et al.		7,121,112	B2 10/2006 Robertson
D408,225	S		4/1999	Hodosh		D534,016	S 12/2006 Raile
5,901,571	A		5/1999	Whaley		D536,905	S 2/2007 Raile
5,924,303	A		7/1999	Hodosh		7,195,132	B1 3/2007 Balam
5,934,099	A		8/1999	Cook et al.		7,225,633	B2 6/2007 DeMars
6,029,845	A		2/2000	Mueller		7,240,514	B2 7/2007 Gary
D424,252	S		5/2000	Hirsh		7,249,772	B2 7/2007 Bruns
6,058,733	A		5/2000	Morgan		7,269,970	B2 9/2007 Robertson
6,062,398	A		5/2000	Thalmayr		7,318,461	B2 1/2008 Zeller
6,065,303	A		5/2000	Harris		D566,423	S 4/2008 Raile
6,067,813	A		5/2000	Smith		7,419,070	B2 9/2008 Cantwell et al.
6,073,460	A		6/2000	Credle, Jr. et al.		D580,110	S 11/2008 Tsengas
6,182,839	B1		2/2001	Robbins et al.		D608,159	S 1/2010 Whitlock et al.
D440,256	S		4/2001	Wang		D613,560	S 4/2010 Robichaud et al.
6,360,884	B1	*	3/2002	Smith et al. ....	206/209.1	2002/0112501	A1 8/2002 Williams
6,361,746	B1		3/2002	Wlodarski		2006/0249407	A1 11/2006 Buckingham
6,401,484	B2		6/2002	Gano, III		2007/0012069	A1 1/2007 Girard
6,415,623	B1		7/2002	Jennings et al.		2007/0272092	A1 11/2007 Ehrenreich
6,446,460	B1		9/2002	Rosenberg		2008/0271476	A1 11/2008 Langguth
6,446,461	B1		9/2002	Williams, Jr.		2009/0078607	A1 3/2009 Ballard
6,471,059	B2		10/2002	Purvis		2009/0261135	A1 * 10/2009 Robichaux et al. .... 224/414
6,481,014	B1		11/2002	Banks et al.			

\* cited by examiner

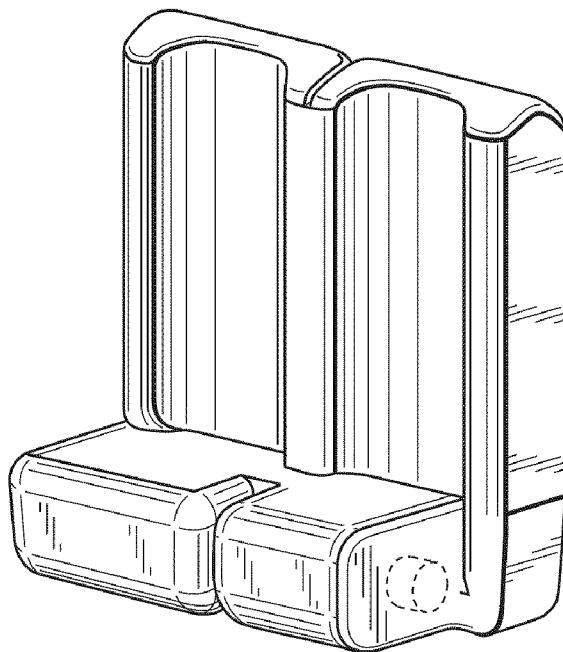


FIG. 1

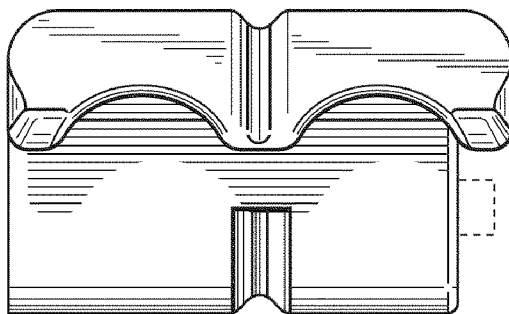


FIG. 2

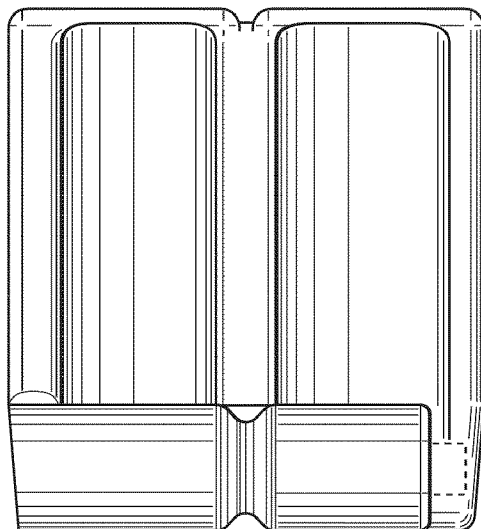


FIG. 3

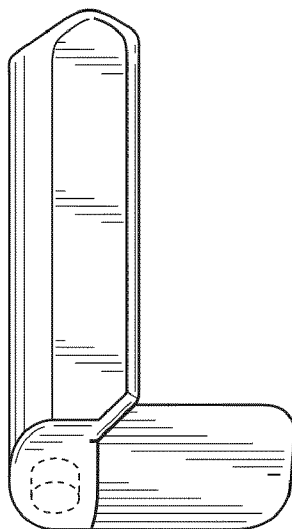


FIG. 4

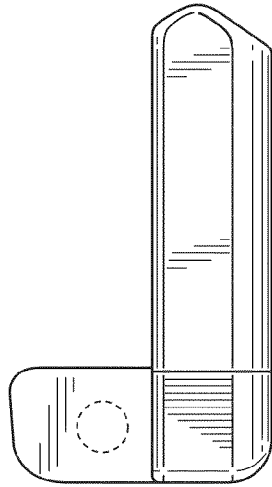


FIG. 5

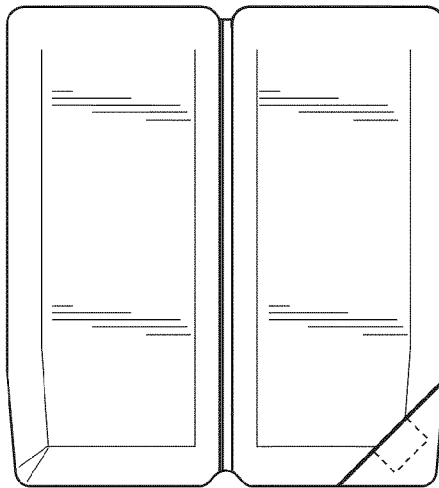


FIG. 6

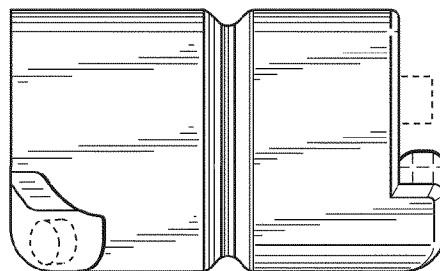


FIG. 7