

(19) World Intellectual Property Organization
International Bureau



(43) International Publication Date
8 February 2001 (08.02.2001)

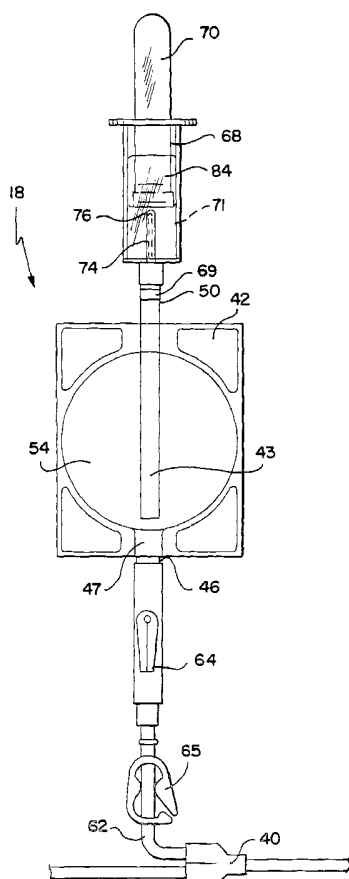
PCT

(10) International Publication Number
WO 01/008546 A3

- (51) International Patent Classification⁷: **A61B 19/00**
- (21) International Application Number: PCT/US00/20580
- (22) International Filing Date: 28 July 2000 (28.07.2000)
- (25) Filing Language: English
- (26) Publication Language: English
- (30) Priority Data:
09/364,628 29 July 1999 (29.07.1999) US
09/492,060 27 January 2000 (27.01.2000) US
- (71) Applicant: **BAXTER INTERNATIONAL INC.**
[US/US]; One Baxter Parkway, Deerfield, IL 60015 (US).
- (72) Inventors: **MATHIAS, Jean-Marie**; 46, avenue du Tonnelier, B-1428 Lillois (BE). **CONEYS, Thomas, W.**; 435, Rue Neuve, F-18230 Saint Doulchard (FR).
- (74) Agents: **SEREWICZ, Denise, M.** et al.; Baxter Healthcare Corporation, Route 120 and Wilson Road, Round Lake, IL 60073 (US).
- (81) Designated States (*national*): AU, CA, JP, MX.
- (84) Designated States (*regional*): European patent (AT, BE, CH, CY, DE, DK, ES, FI, FR, GB, GR, IE, IT, LU, MC, NL, PT, SE).
- Published:
— with international search report
- (88) Date of publication of the international search report:
6 November 2003
- For two-letter codes and other abbreviations, refer to the "Guidance Notes on Codes and Abbreviations" appearing at the beginning of each regular issue of the PCT Gazette.*

(54) Title: SAMPLING TUBE HOLDER FOR BLOOD SAMPLING SYSTEM

(57) Abstract: A holder (68) for receiving a sampling tube (70) of a blood sampling system is disclosed. The holder (68) has an interior pocket (81) which can be conformed from a closed position to an open position for receiving the sampling tube (70).



WO 01/008546 A3

INTERNATIONAL SEARCH REPORT

International application No.
PCT/US00/20580

A. CLASSIFICATION OF SUBJECT MATTER
 IPC(7) :A61B 19/00
 US CL :604/409
 According to International Patent Classification (IPC) or to both national classification and IPC

B. FIELDS SEARCHED
 Minimum documentation searched (classification system followed by classification symbols)
 U.S. : 604/403, 409, 411

Documentation searched other than minimum documentation to the extent that such documents are included in the fields searched

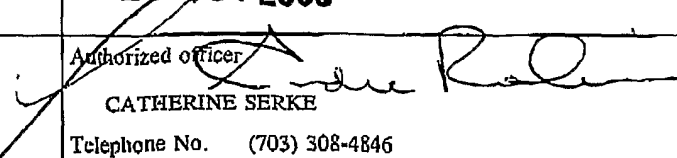
Electronic data base consulted during the international search (name of data base and, where practicable, search terms used)
 BRS

C. DOCUMENTS CONSIDERED TO BE RELEVANT

Category*	Citation of document, with indication, where appropriate, of the relevant passages	Relevant to claim No.
X — Y	US 4,320,769 A [EICHHORN et al.] 23 March 1982, see Figs. 1-5	1-4, 6-16, 24-27 18-20
X	US 5,496,301 A [HLAVINKA et al.] 05 March 1996, entire document.	1, 2, 17, 24, 28, 29
X	US 4,943,283 A [HOGAN] 24 July 1990, entire document.	1, 2, 24

Further documents are listed in the continuation of Box C. See patent family annex.

* Special categories of cited documents:	"T" later document published after the international filing date or priority date and not in conflict with the application but cited to understand the principle or theory underlying the invention
"A" document defining the general state of the art which is not considered to be of particular relevance	"X" document of particular relevance; the claimed invention cannot be considered novel or cannot be considered to involve an inventive step when the document is taken alone
"E" earlier document published on or after the international filing date	"Y" document of particular relevance; the claimed invention cannot be considered to involve an inventive step when the document is combined with one or more other such documents, such combination being obvious to a person skilled in the art
"L" document which may throw doubts on priority claim(s) or which is cited to establish the publication date of another citation or other special reason (as specified)	"Z" document member of the same patent family
"O" document referring to an oral disclosure, use, exhibition or other means	
"P" document published prior to the international filing date but later than the priority date claimed	

Date of the actual completion of the international search 11 SEPTEMBER 2000	Date of mailing of the international search report 16 OCT 2000
Name and mailing address of the ISA/US Commissioner of Patents and Trademarks Box PCT Washington, D.C. 20231 Facsimile No. (703) 305-3230	Authorized officer  CATHERINE SERKE Telephone No. (703) 308-4846