



(12) **United States Design Patent**  
**Qiu**

(10) **Patent No.:** **US D838,899 S**  
(45) **Date of Patent:** **\*\* Jan. 22, 2019**

(54) **CARTOMIZER**

(56) **References Cited**

(71) Applicant: **Changzhou Patent Electronic Technology Co., LTD**, Changzhou, Jiangsu (CN)

(72) Inventor: **Weihua Qiu**, Jiangsu (CN)

(73) Assignee: **CHANGZHOU PATENT ELECTRONIC TECHNOLOGY CO., LTD**, Changzhou, Jiangsu (CN)

(\*\*) Term: **15 Years**

(21) Appl. No.: **29/628,995**

(22) Filed: **Dec. 10, 2017**

**Related U.S. Application Data**

(63) Continuation of application No. 29/615,003, filed on Aug. 24, 2017.

**Foreign Application Priority Data**

Jun. 9, 2017 (CN) ..... 2017 3 0234509

(51) **LOC (11) Cl.** ..... **27-02**

(52) **U.S. Cl.**  
USPC ..... **D27/167**

(58) **Field of Classification Search**  
USPC ..... D27/101, 100, 106, 108, 163, 165-169, D27/172, 174, 175, 183, 186-190, 193, D27/195; D24/110; 131/273, 274, 191, 131/330, 329

CPC ..... A24F 9/00; A24F 47/002; A24F 47/004; A24F 47/006; A24F 47/008; A61M 15/06

See application file for complete search history.

**U.S. PATENT DOCUMENTS**

D583,096	S	*	12/2008	Conti	.....	D27/189
D591,899	S	*	5/2009	Bray	.....	D27/189
D634,892	S	*	3/2011	Hein	.....	D27/189
D706,976	S	*	6/2014	Wu	.....	D27/189
D752,285	S	*	3/2016	Doster	.....	D27/189
D752,286	S	*	3/2016	Doster	.....	D27/189
D770,678	S	*	11/2016	Shin	.....	D27/163
D772,477	S	*	11/2016	Shin	.....	D27/163
D772,480	S	*	11/2016	Hua	.....	D27/189
D776,051	S	*	1/2017	Wang	.....	D13/103
D804,717	S	*	12/2017	Wang	.....	D27/101

\* cited by examiner

*Primary Examiner* — Susan Bennett Hattan

*Assistant Examiner* — Rebecca Tsehaye

(74) *Attorney, Agent, or Firm* — Novick, Kim & Lee, PLLC; Allen Xue; Hyun Woo Shin

(57) **CLAIM**

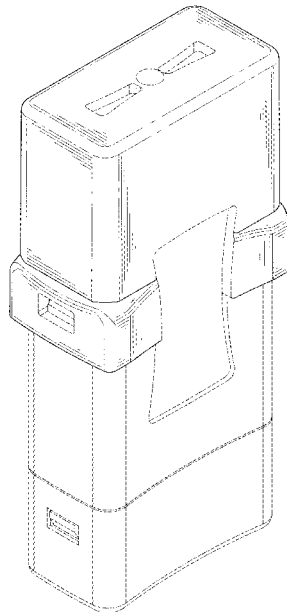
I claim the ornamental design for a cartomizer, as shown and described.

**DESCRIPTION**

FIG. 1 is a top, front, left side perspective view of a cartomizer, showing my new design; FIG. 2 is a bottom, rear, right side perspective view thereof; FIG. 3 is a front elevational view thereof; FIG. 4 is a rear elevational view thereof; FIG. 5 is a left side elevational view thereof; FIG. 6 is a right side elevational view thereof; FIG. 7 is a top plan view thereof; and, FIG. 8 is a bottom plan view thereof.

The broken lines in the drawings show portions of the cartomizer which form no part of the claimed design.

**1 Claim, 8 Drawing Sheets**



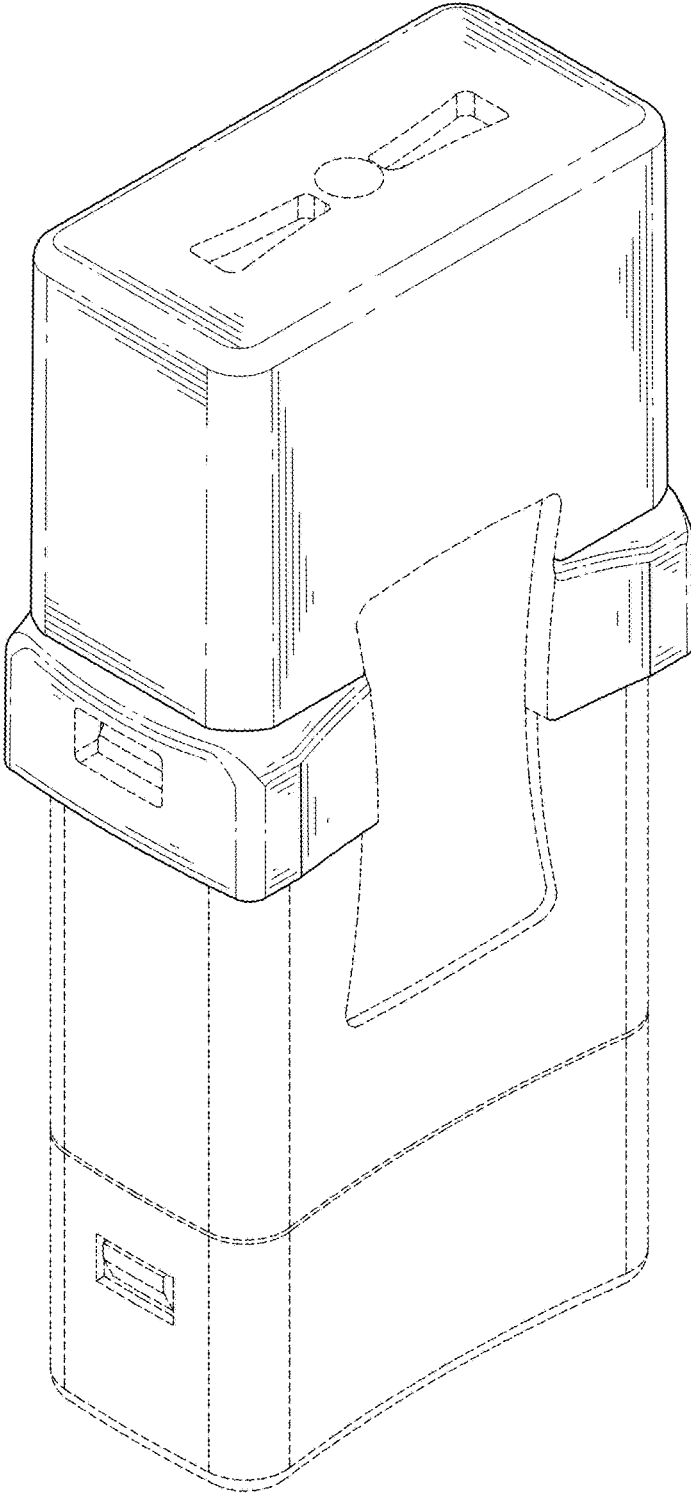


FIG. 1

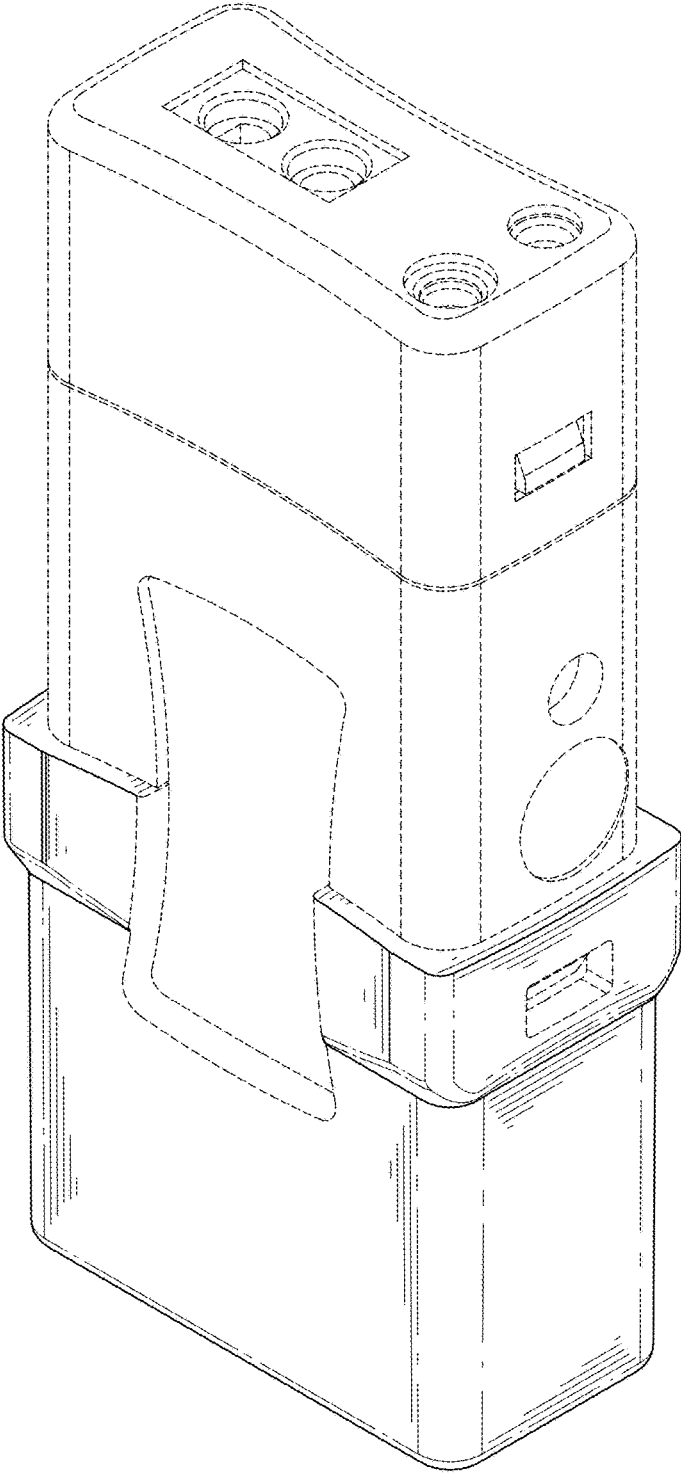


FIG. 2

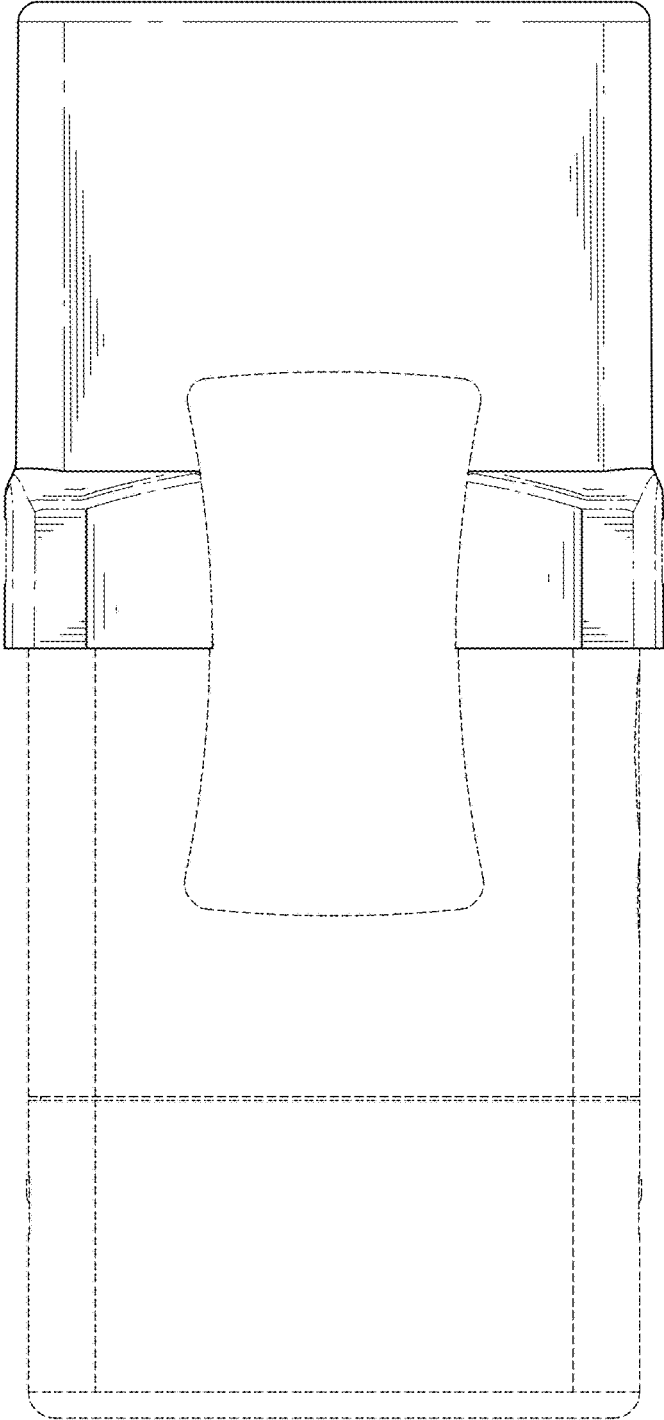


FIG. 3

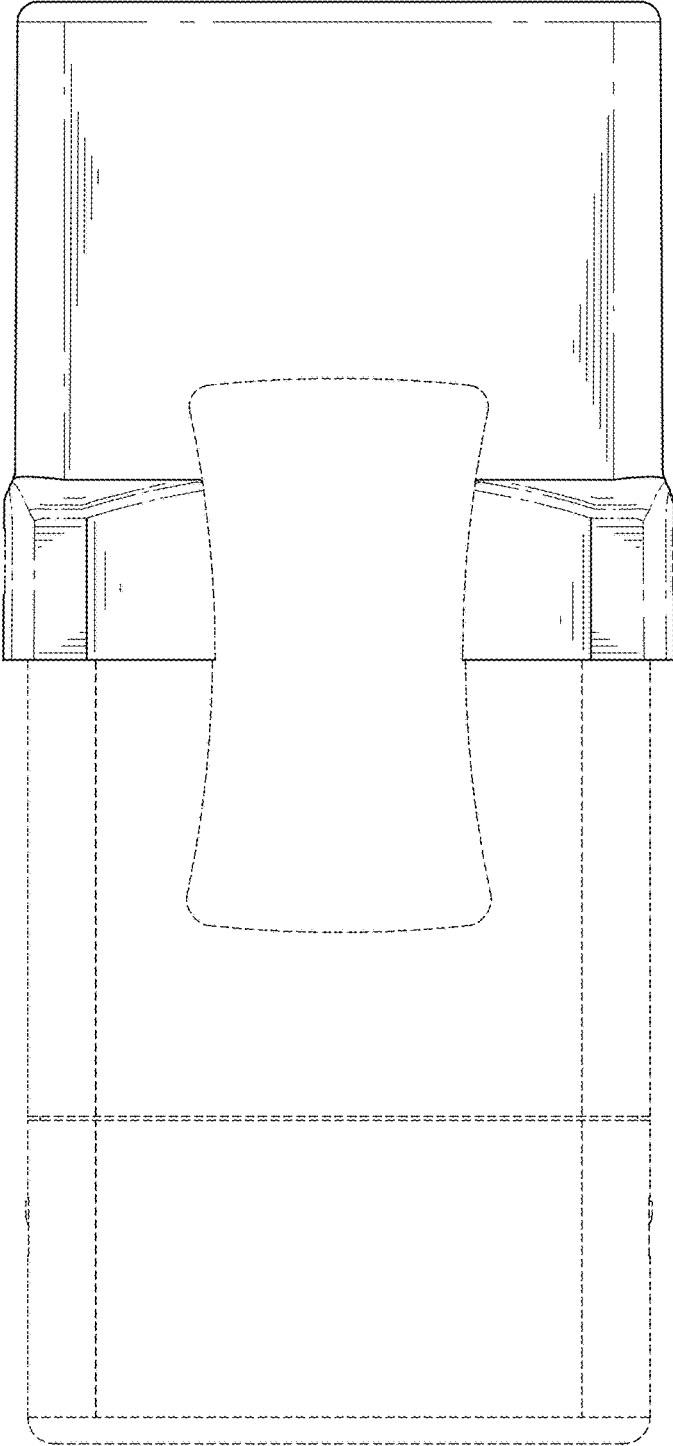


FIG. 4

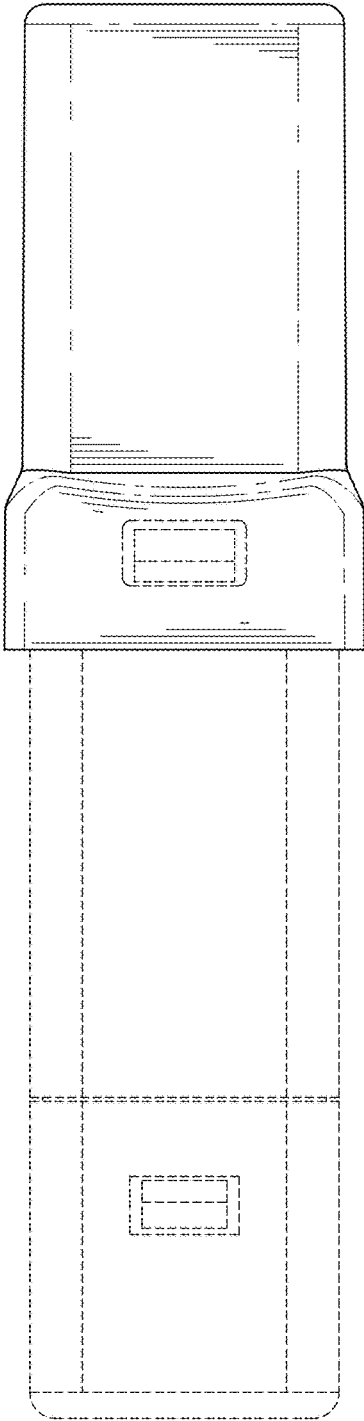


FIG. 5

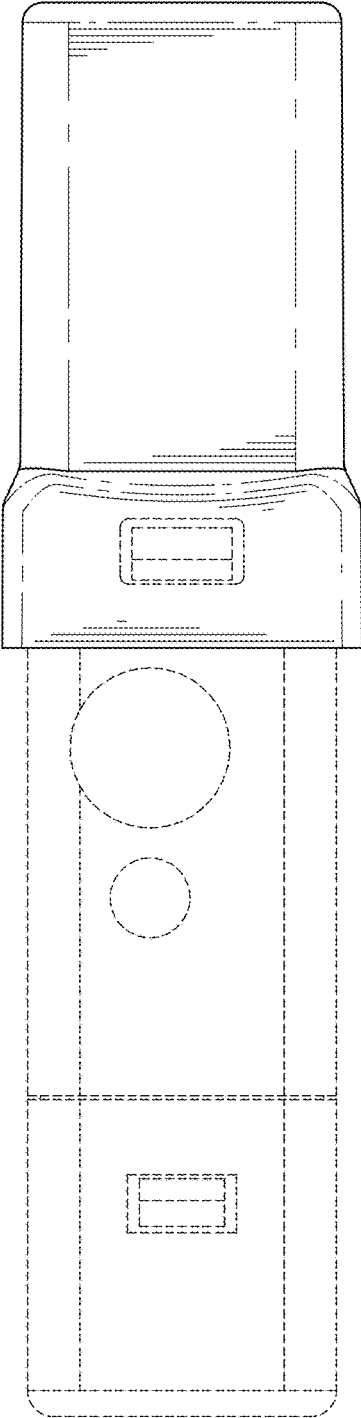


FIG. 6

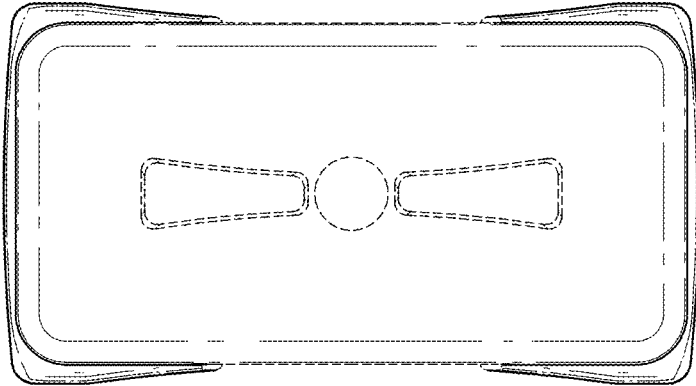


FIG. 7



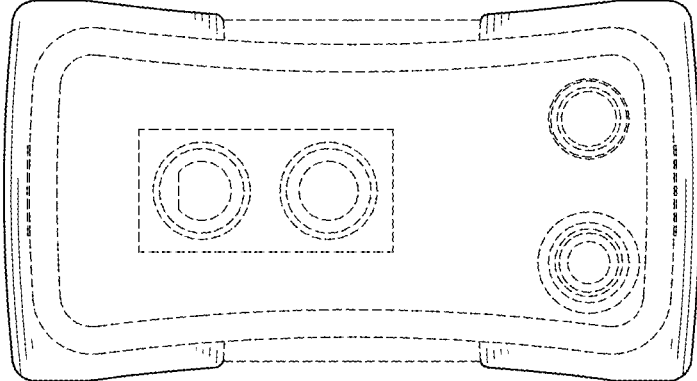


FIG. 8