



US00D705478S

(12) **United States Design Patent**  
**Clifton-Draper et al.**

(10) **Patent No.:** **US D705,478 S**

(45) **Date of Patent:** **\*\* May 20, 2014**

- (54) **LANTERN NOZZLE**
- (71) Applicants: **Julia Diana Clifton-Draper**, New Port Richey, FL (US); **George Edward Draper**, New Port Richey, FL (US)
- (72) Inventors: **Julia Diana Clifton-Draper**, New Port Richey, FL (US); **George Edward Draper**, New Port Richey, FL (US)
- (\*\*) Term: **14 Years**
- (21) Appl. No.: **29/476,209**
- (22) Filed: **Dec. 12, 2013**

3,363,437	A *	1/1968	Naujoks .....	431/109
3,408,998	A *	11/1968	Brancato et al. ....	126/4
3,817,684	A *	6/1974	Sell .....	431/104
4,702,690	A *	10/1987	Sommers et al. ....	431/110
5,116,220	A *	5/1992	Kinzel et al. ....	431/113
5,267,852	A *	12/1993	Mizuno .....	431/203
D346,020	S *	4/1994	Kellogg et al. ....	D23/387
5,441,037	A *	8/1995	Yen .....	126/258
5,836,757	A *	11/1998	Long et al. ....	431/264
D417,497	S *	12/1999	Schroeter et al. ....	D23/393
D448,518	S *	9/2001	Long et al. ....	D26/114
6,439,223	B1	8/2002	Draper	
6,688,877	B1	2/2004	Draper	
6,863,526	B1	3/2005	Draper	
6,887,071	B1 *	5/2005	Draper et al. ....	431/104
6,913,458	B2 *	7/2005	Mosher et al. ....	432/222
6,929,190	B1 *	8/2005	Adrian .....	237/47
D542,659	S *	5/2007	Meether et al. ....	D9/502

**Related U.S. Application Data**

- (63) Continuation-in-part of application No. 13/865,385, filed on Apr. 18, 2013.
- (51) **LOC (10) Cl.** ..... **26-99**
- (52) **U.S. Cl.**  
USPC ..... **D26/114**
- (58) **Field of Classification Search**  
USPC ..... D26/122, 118, 2, 28, 142, 123, 124, 35, D26/116, 113, 74, 75, 5, 6, 67, 68, 69, 72, D26/86, 63, 61, 39, 135, 65, 120, 121, 125, D26/126, 128, 89, 76, 132, 134, 119; 362/290, 223, 346, 240, 298, 249.02, 362/247, 347, 179, 147, 150; D10/114.4, D10/11.2, 111; 431/111, 104, 344, 109; D13/179, 180  
See application file for complete search history.

\* cited by examiner

*Primary Examiner* — Kevin Rudzinski  
(74) *Attorney, Agent, or Firm* — Edward Dutkiewicz

**CLAIM**

(57) The ornamental design for a lantern nozzle, as shown and described.

**DESCRIPTION**

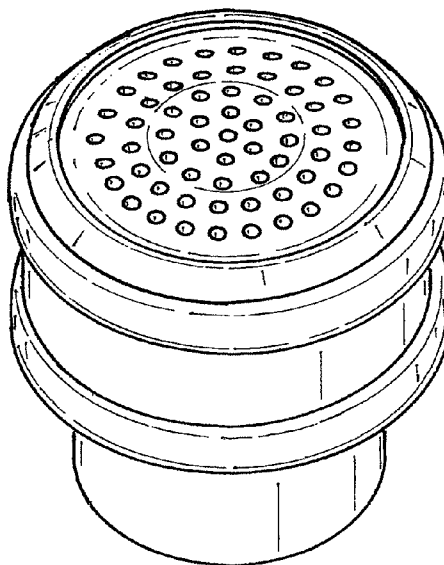
FIG. 1 is a front elevational view of the lantern nozzle showing our new design. The design is rounded, with all side views being identical, therefore one side elevational view is provided;  
FIG. 2 is a top plan view of the nozzle;  
FIG. 3 is a bottom plan view; and,  
FIG. 4 is a perspective view taken from the top, side location, showing our new design for a lantern nozzle.

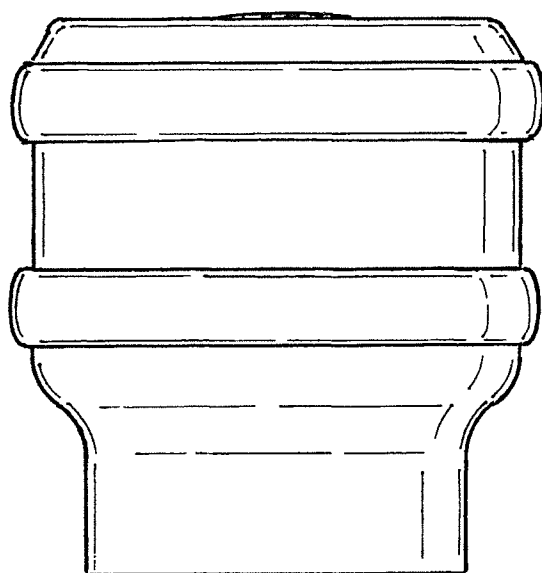
(56) **References Cited**

**U.S. PATENT DOCUMENTS**

919,645	A *	4/1909	Rybar .....	431/109
3,140,740	A *	7/1964	Lagreid et al. ....	126/6

**1 Claim, 3 Drawing Sheets**





*FIG. 1*

FIG. 2

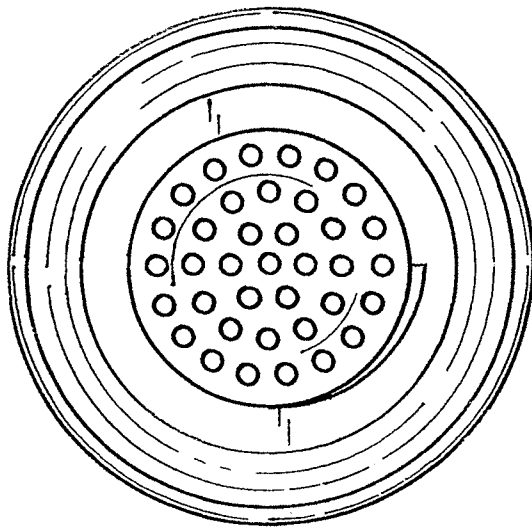
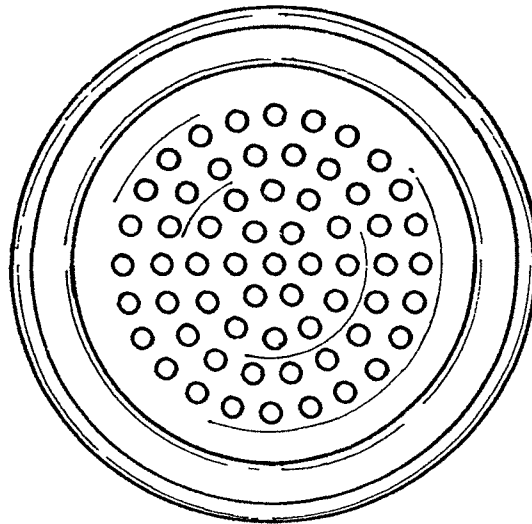


FIG. 3

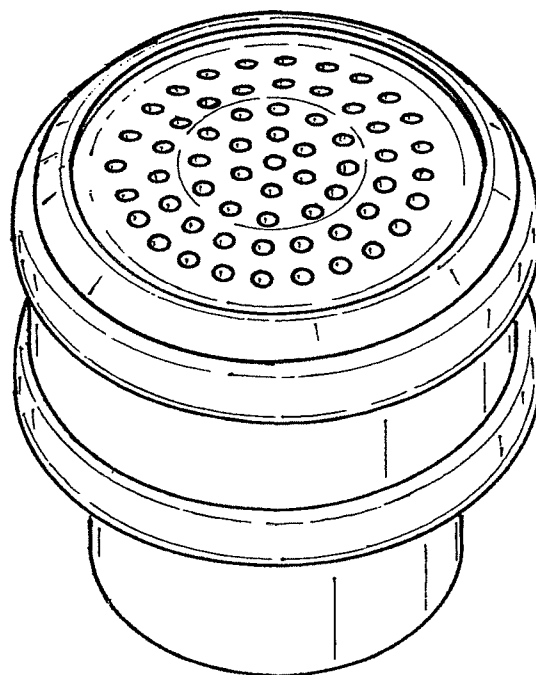


FIG. 4