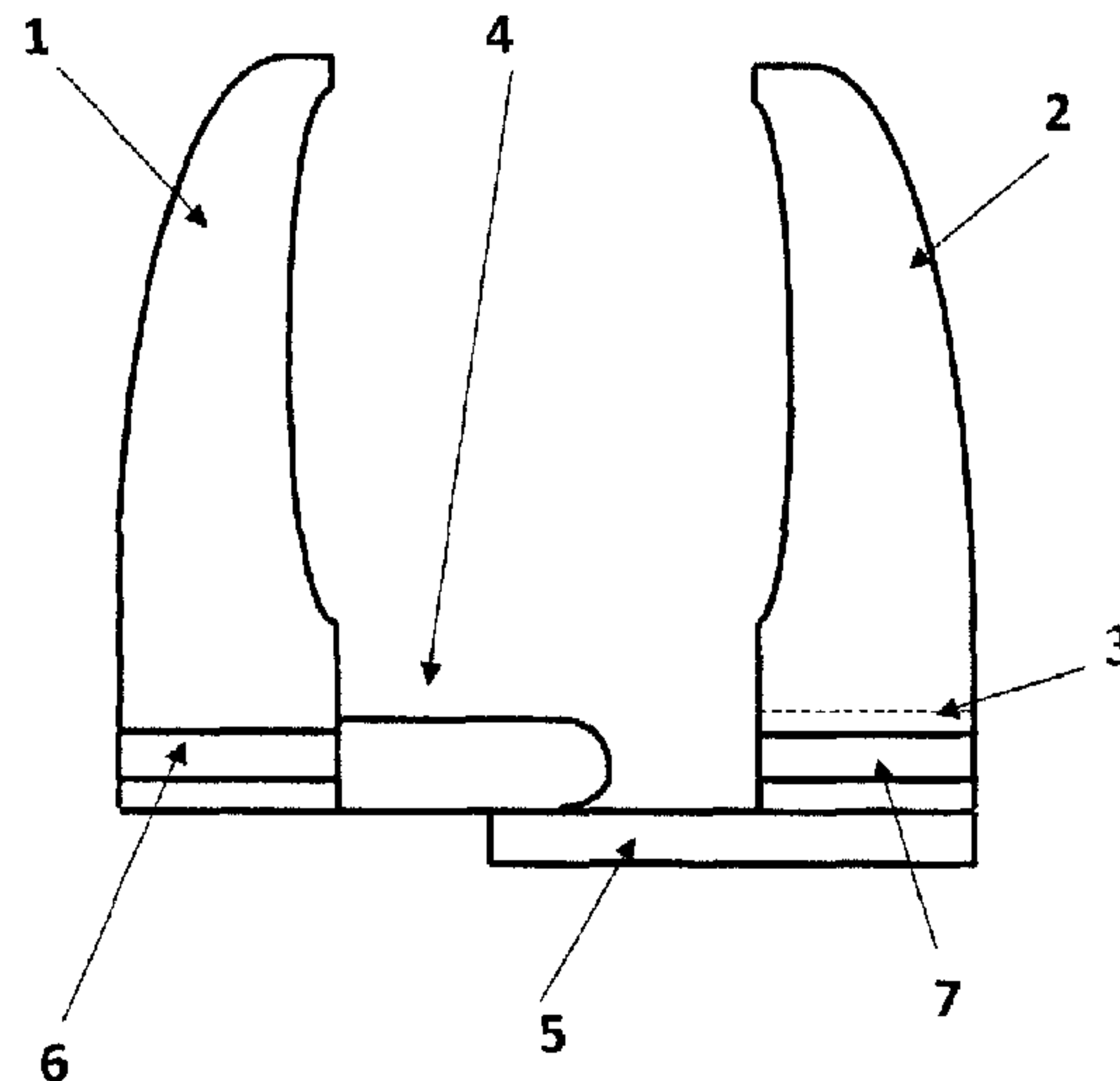




(86) Date de dépôt PCT/PCT Filing Date: 2013/02/07  
(87) Date publication PCT/PCT Publication Date: 2013/08/22  
(45) Date de délivrance/Issue Date: 2019/10/22  
(85) Entrée phase nationale/National Entry: 2014/08/06  
(86) N° demande PCT/PCT Application No.: DE 2013/000073  
(87) N° publication PCT/PCT Publication No.: 2013/120477  
(30) Priorité/Priority: 2012/02/16 (DE10 2012 003 334.6)

(51) Cl.Int./Int.Cl. *A61B 17/122* (2006.01),  
*A61B 17/128* (2006.01)  
(72) Inventeurs/Inventors:  
OTTEN, BRIGITTE, DE;  
OTTEN, GERT, DE  
(73) Propriétaires/Owners:  
HONNEFELDER, ANJA, DE;  
OTTEN, PEER, DE;  
OTTEN, BRIGITTE, DE  
(74) Agent: ROBIC

(54) Titre : PINCE CHIRURGICALE ET DISPOSITIF PERMETTANT L'APPLICATION DE LADITE PINCE  
(54) Title: SURGICAL CLIP AND APPARATUS FOR APPLYING THE CLIP



(57) **Abrégé/Abstract:**

The invention relates to a surgical clip for minimally invasive surgery and to a device for clamping organic tissue, consisting of a first clamping bar corresponding with a second clamping bar, wherein the first clamping bar and the second clamping bar each have, on both sides on their base, shoulders for guiding them into a cartridge, and one clamping bar has a continuous retaining bore into which, in order to clamp the organic tissue, a retaining pin provided on the other clamping bar engages with a force fit and form fit, the first clamping bar (1) is mounted by means of clamp pressing in a cartridge (11), and the second clamping bar (2) with the continuous retaining bore (3) has, at its lower end, an arm (5) which, upon joining to the first clamping bar (1) with the retaining pin (4), thus clamping the organic tissue, or the first clamping bar (1) with the retaining pin (4) at its lower end has the arm (5) which, upon joining to the second clamping bar (2), slides with a form fit under the shorter second clamping bar (2) with the retaining bore (3), thus clamping the organic tissue, and a tissue clip is thus given considerable additional stability.

## (12) NACH DEM VERTRAG ÜBER DIE INTERNATIONALE ZUSAMMENARBEIT AUF DEM GEBIET DES PATENTWESENS (PCT) VERÖFFENTLICHTE INTERNATIONALE ANMELDUNG

(19) Weltorganisation für geistiges

Eigentum

Internationales Büro

(43) Internationales  
Veröffentlichungsdatum

22. August 2013 (22.08.2013)



(10) Internationale Veröffentlichungsnummer

WO 2013/120477 A4

(51) Internationale Patentklassifikation:

A61B 17/122 (2006.01) A61B 17/128 (2006.01)

(21) Internationales Aktenzeichen: PCT/DE2013/000073

(22) Internationales Anmeldedatum:

7. Februar 2013 (07.02.2013)

(25) Einreichungssprache:

Deutsch

(26) Veröffentlichungssprache:

Deutsch

(30) Angaben zur Priorität:

10 2012 003 334.6

16. Februar 2012 (16.02.2012)

DE

(71) Anmelder: HONNEFELDER, Anja [DE/DE];

Oberstrasse 83, 20149 Hamburg (DE). OTTEN, Peer

[DE/DE]; Schlüterstrasse 75, 20146 Hamburg (DE).

(72) Erfinder; und

(71) Anmelder : OTTEN, Brigitte [DE/DE]; Bismarckstrasse

13, 27610 Schiffdorf (DE).

(72) Erfinder: OTTEN, Gert; Bismarckstrasse 13, 27610

Schiffdorf (DE).

(74) Anwalt: NEUMANN, Günter; Waldallee 15, 15712

Königs Wusterhausen (DE).

(81) Bestimmungsstaaten (soweit nicht anders angegeben, für

jede verfügbare nationale Schutzrechtsart): AE, AG, AL, AM, AO, AT, AU, AZ, BA, BB, BG, BH, BN, BR, BW, BY, BZ, CA, CH, CL, CN, CO, CR, CU, CZ, DE, DK, DM, DO, DZ, EC, EE, EG, ES, FI, GB, GD, GE, GH, GM, GT, HN, HR, HU, ID, IL, IN, IS, JP, KE, KG, KM, KN, KP, KR, KZ, LA, LC, LK, LR, LS, LT, LU, LY, MA, MD, ME, MG, MK, MN, MW, MX, MY, MZ, NA, NG, NI, NO, NZ, OM, PA, PE, PG, PH, PL, PT, QA, RO, RS, RU, RW, SC, SD, SE, SG, SK, SL, SM, ST, SV, SY, TH, TJ, TM, TN, TR, TT, TZ, UA, UG, US, UZ, VC, VN, ZA, ZM, ZW.

(84) Bestimmungsstaaten (soweit nicht anders angegeben, für

jede verfügbare regionale Schutzrechtsart): ARIPO (BW, GH, GM, KE, LR, LS, MW, MZ, NA, RW, SD, SL, SZ, TZ, UG, ZM, ZW), eurasisches (AM, AZ, BY, KG, KZ, RU, TJ, TM), europäisches (AL, AT, BE, BG, CH, CY, CZ, DE, DK, EE, ES, FI, FR, GB, GR, HR, HU, IE, IS, IT, LT, LU, LV, MC, MK, MT, NL, NO, PL, PT, RO, RS, SE, SI, SK, SM, TR), OAPI (BF, BJ, CF, CG, CI, CM, GA, GN, GQ, GW, ML, MR, NE, SN, TD, TG).

Erklärungen gemäß Regel 4.17:

— hinsichtlich der Berechtigung des Anmelders, ein Patent zu beantragen und zu erhalten (Regel 4.17 Ziffer ii)

[Fortsetzung auf der nächsten Seite]

(54) Title: SURGICAL CLIP AND DEVICE FOR APPLYING THE CLIP

(54) Bezeichnung : CHIRURGISCHER CLIP UND VORRICHTUNG ZUM APPLIZIEREN DES CLIPS

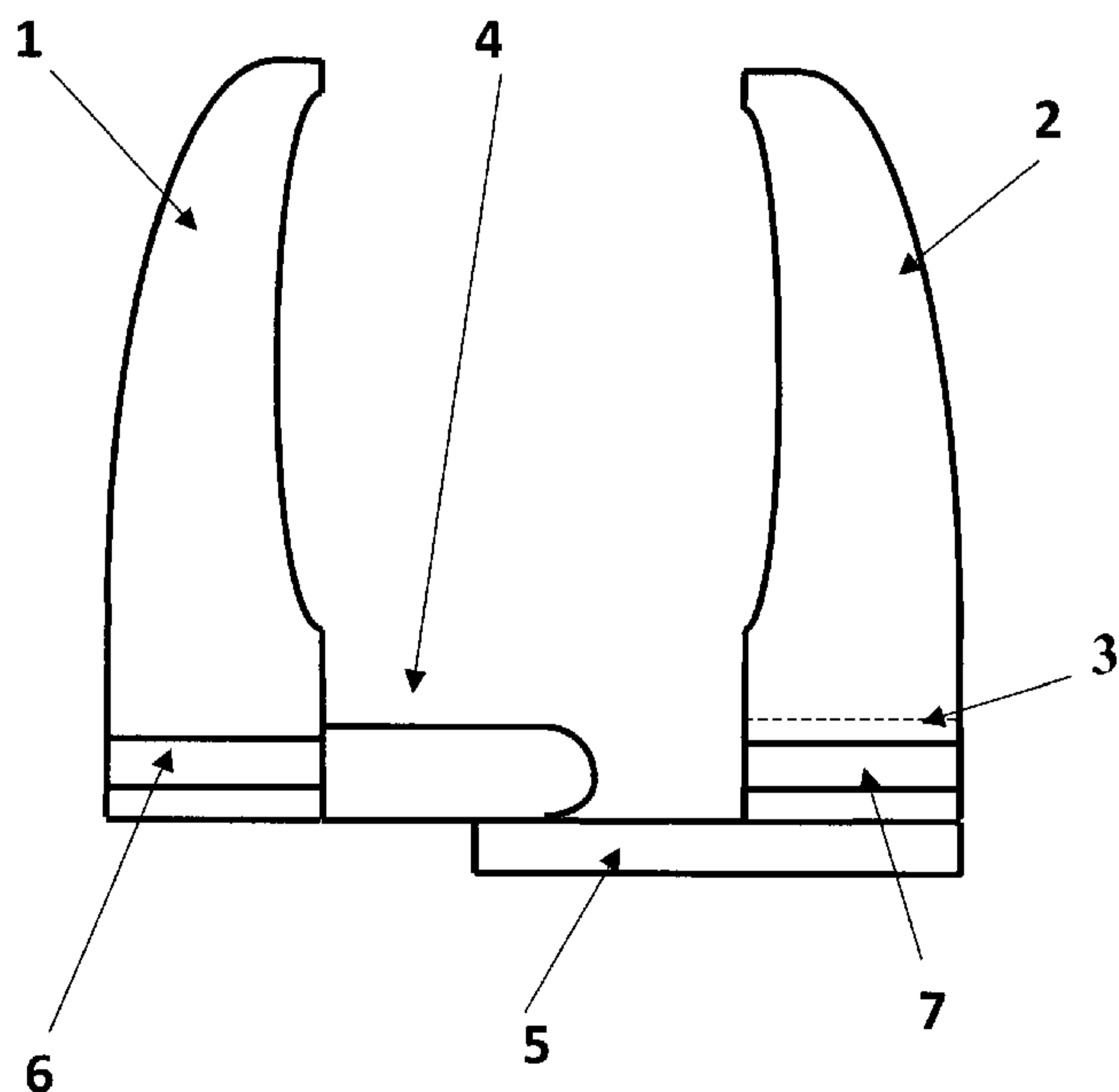


Fig. 1

(57) Abstract: The invention relates to a surgical clip for minimally invasive surgery and to a device for clamping organic tissue, consisting of a first clamping bar corresponding with a second clamping bar, wherein the first clamping bar and the second clamping bar each have, on both sides on their base, shoulders for guiding them into a cartridge, and one clamping bar has a continuous retaining bore into which, in order to clamp the organic tissue, a retaining pin provided on the other clamping bar engages with a force fit and form fit, the first clamping bar (1) is mounted by means of clamp pressing in a cartridge (11), and the second clamping bar (2) with the continuous retaining bore (3) has, at its lower end, an arm (5) which, upon joining to the first clamping bar (1), slides with a form fit under the shorter first clamping bar (1) with the retaining pin (4), thus clamping the organic tissue, or the first clamping bar (1) with the retaining pin (4) at its lower end has the arm (5) which, upon joining to the second clamping bar (2), slides with a form fit under the shorter second clamping bar (2) with the retaining bore (3), thus clamping the organic tissue, and a tissue clip is thus given considerable additional stability.

(57) Zusammenfassung:

[Fortsetzung auf der nächsten Seite]

**WO 2013/120477 A4**— *Erfindererklärung (Regel 4.17 Ziffer iv)***(88) Veröffentlichungsdatum des internationalen  
Recherchenberichts:****Veröffentlicht:**

31. Oktober 2013

— *mit internationalem Recherchenbericht (Artikel 21 Absatz  
3)***Veröffentlichungsdatum der geänderten Ansprüche:**

19. Dezember 2013

— *mit geänderten Ansprüchen gemäss Artikel 19 Absatz 1*


---

Die Erfindung betrifft einen chirurgischer Clip für die minimal invasive Chirurgie und eine Vorrichtung zum Abklemmen von organischem Gewebe bestehend aus einem ersten Klemmbalken korrespondierend mit einem zweiten Klemmbalken, wobei der erste Klemmbalken und der zweite Klemmbalken an ihrer Basis beidseitig jeweils Schultern für deren Führung in eine Kartusche aufweisen und ein Klemmbalken eine durchgehende Haltebohrung aufweist, in die zum Abklemmen des organischen Gewebes kraft- und formschlüssig ein am anderen Klemmbalken vorgesehener Haltestift greift, der erste Klemmbalken (1) mittels Klemmpressung in einer Kartusche (11) gelagert ist und der zweite Klemmbalken (2) mit der durchgehenden Haltebohrung (3) an seinem unteren Ende einen Schenkel (5) besitzt, der sich beim Zusammenfügen mit dem ersten Klemmbalken (1) unter Abklemmen des organischen Gewebes formschlüssig unter den kürzeren ersten Klemmbalken (1) mit dem Haltestift (4) schiebt, oder der erste Klemmbalken (1) mit dem Haltestift (4) an seinem unteren Ende den Schenkel (5) aufweist, der sich beim Zusammenfügen mit dem zweiten Klemmbalken (2) unter Abklemmen des organischen Gewebes formschlüssig unter den kürzeren zweiten Klemmbalken (2) mit der Haltebohrung (3) schiebt und einer Gewebeklammer so erheblich zusätzliche Stabilität gegeben ist.

**SURGICAL CLIP AND APPARATUS FOR APPLYING THE CLIP****Field**

The invention relates to a surgical clip, as it is increasingly needed in endoscopic operations in minimally invasive surgery for clamping off and interrupting soft tissue and blood vessels, and to an apparatus for applying the clip.

**Background**

Known surgical clips predominantly have a U or V shape, with two clamping bars that stand opposite one another and have special shape contours. They are brought into the desired gripping and closing position with handling instruments suitable for this purpose, called applicators, with force fit. Clips made from titanium then remain in the body. They can also consist of a resorbable plastic, for example a polypeptide, which is enzymatically decomposed in the body.

A clip for closing off blood vessels is described in DE 20 2005 009 061 U1. A basic body is laid against the opened blood vessel with its inner side and closed off with multiple projecting legs affixed to the basic body in flexible manner, by means of bending these legs. In addition to complicated

handling, this clip does not offer sufficient safety to prevent injury of tissue.

DE 10 2008 031 387 A1 discloses a medical clip for closing off a tissue opening. Two gripping arms mounted axially on an axis of rotation, the ends of which arms are angled away toward one another, in each instance, are given the required gripping force for closing off the tissue opening, in the case of reciprocal engagement, by means of a spring force or by means of an engagement mechanism. The tissue is essentially gathered. Targeted clipping is possible only in restricted manner with this technical solution. Likewise, the area of application is limited, and blood vessels, for example, are excluded.

A surgical clip for clamping off and interrupting blood vessels is evident from DE 10 2006 031 092 B3; it consists of two arms that are connected with one another by way of a spring element and cross one another, which carry clamping jaws at their ends, in each instance. In order to allow reproducible and non-displaceable placement of the clip, the arms have openings on both sides, transverse to their longitudinal direction, into which pin-shaped or stud-shaped fixation elements can engage. This technical solution is characterized by a very complicated tensioning mechanism and uncertain clipping.

A clip intended as an implant is disclosed by DE 20 2010 008 512 U1. Two clip branches that are held at their first free end by means of a spring-elastic element, lying against and parallel to one another, and have a second end, whereby the two ends are connected, in each instance, by means of sections configured to intersect. To apply the clip in an application position, the second ends are grasped by clip application forceps and brought close to one another counter to the spring force of the spring-elastic element. In order to achieve a precise closing force, the clip branches have contact elements configured complementary to one another. This solution is not suitable for minimally invasive surgery. Because of the shear effect that is present, there is furthermore the risk that the branches will be pressed apart from one another during their use.

A further surgical clip is described by DE 20 2010 008 714 U1. It consists of two clip branches, the first free end of which are held parallel to one another by means of the predetermined closing force of a spring-elastic element, while the second also free ends are affixed to the spring-elastic element. In order to apply the clip, the second free ends are grasped with a gripping tool specifically intended for this purpose, and brought into contact with one another, so that the clip branches

open and can be applied. The clip is positioned by means of relieving the stress on the second free ends. Production of this clip appears to be complicated and particularly elaborate.

DE 10 2004 015 224 A1 describes a surgical clamp made of resorbable material for clamping off organic tissue, particularly blood vessels; this clip is formed from two shanks disposed in V shape, and one shank has a holding pin at its end, which pin engages into a recess provided on the end of the other shank and is fixed in place there, in order to clamp off the organic tissue. Its use for axial clipping restricts the use of this clip.

For use in open surgery, the surgical clamp that is evident from DE 10 2004 015 223 A1 is suitable. The organic tissue to be connected can be positioned between two clamping bars disposed parallel to one another, and afterward, it can be fixed in place by means of pins that are disposed on a clamping bar, transverse to the longitudinal axis of the latter, and engage into matching bores of the other clamping bar.

US 4,651,737 discloses an apparatus for clamping off organic tissue, particularly blood vessels, using a set of clamping rods. A clamping rod disposed at the distal end is releasably

connected with an application crosspiece by means of a stud connection. On this crosspiece, the other clamping rod can be pushed against the clamping rod disposed on the distal end, in the horizontal position, clamping off the organic tissue, and can be released from the application crosspiece together with this rod and the clamped-off organic tissue.

However, this technical solution is connected with the problem that the clamping rods have a predetermined and unchangeable distance relative to one another while closing, with their clamping crosspieces, which are partly interconnected, because they are pushed not against one another, but in the end phase one on top of the other, and therefore produce a shear/clamping effect in the organic tissue, with the great risk of injury to the tissue, going as far as unintentional cutting of tissue. Therefore infinitely adjustable clamping off of organic tissue, as a function of the compression pressure, is objectively not possible. In this regard, the technical solution described in US 4,651,737 does not permit the clamping rods to be brought toward one another in infinitely adjustable manner, to clamp off the tissue. Clamping-off takes place without being able to take the type of tissue and the other existing conditions into account. The gap that forms from the clamping rods being pushed one on top of the other has an unchangeable size, so that the

risk exists that tissue, particularly small blood vessels, can be clamped off only insufficiently, and that bleeding during an operation can be the result.

With the goal of overcoming the stated problems, EP 1 611 853 B1 proposes a surgical apparatus for clamping off organic tissue, particularly blood vessels, using a set of clamping bars disposed on an application crosspiece.

The clamping bars have at least one guide pin at their base, on both sides, in each instance, for positioning and for horizontal displacement in the apparatus. To produce a tissue clamp, the clamping bar disposed at the distal end has a holding bore at its base, which corresponds to the holding pin provided at the base of the other clamping bar and, after the clamping bars have been pushed together by means of a plunger, clamping the tissue in the applicator, forms the tissue clamp. In this connection, the guide pins are dimensioned in such a manner that they shear off if the force exertion required for clamping off the tissue is exceeded, and the tissue clamp formed can then easily be pushed away from the application crosspiece by means of the centrally positioned plunger.

Use of this technical solution demonstrates easy handling of the applicator and allows safe fixation of the clamped-off tissue in the clamp. It has also been shown, however, that the tissue clamp produced in this way still does not satisfy the increased demands in its longitudinal direction, particularly with regard to the compression pressure between the clamping bars required for great stability of the tissue clamp.

The tissue to be clamped is very non-homogeneous in terms of its structure, for example blood vessels demonstrate a greater clamping resistance than loose connective tissue. Depending on the tissue resistance at a specific point and the clamping pressure exerted, it cannot be precluded that the clamping bars move away from one another in a V shape as the result of insufficient stability of the holding pin of the clamp, and can thereby lead to partial or complete loss of the function of the clip.

### **Summary**

It is therefore the task of the invention to make available a significantly improved clip, which allows stable and torsion-resistant application while maintaining tissue-protecting use, and thereby allows permanent and extensively homogeneous tissue compression between the clamping bars, and ensures great closure

safety of the tissue clamp with regard to both a rotation-stable position and in the longitudinal direction of the tissue clamp.

Furthermore, the task of the invention consists in making available an apparatus that allows safe application of the clip, with simple handling.

According to the invention, the task is accomplished by a surgical clip for minimally invasive surgery, for clamping off organic tissue, which consists of a first clamping bar corresponding to a second clamping bar, wherein the first clamping bar and the second clamping bar, at their base, on both sides, have shoulders for being guided in a cartridge, in each instance, and one clamping bar has a continuous holding bore into which a holding pin provided on the other clamping bar engages for clamping off the organic tissue, with force fit and shape fit, wherein the first clamping bar is mounted in the cartridge by means of clamping pressure, and the second clamping bar having the continuous holding bore possesses a shank at its lower end, which shank, during joining together with the first clamping bar, clamping off the organic tissue, pushes itself, with shape fit, under the shorter first clamping bar having the holding pin, or the first clamping bar having the holding pin has the shank, at its lower end, which shank, during joining

together with the second clamping bar, pushes itself, with shape fit, under the shorter second clamping bar having the holding bore, or the second clamping bar, which has both the holding pin and the shank which, during joining together with the first clamping bar, clamping the organic tissue, pushes itself, with shape fit, under the shorter first clamping bar having the holding bore, and thereby a tissue clamp is given significant additional stability.

Furthermore, the task is accomplished by means of an apparatus for applying a surgical clip that is formed from a first clamping bar corresponding to a second clamping bar, having the stated characteristics, in each instance, wherein the apparatus is configured as a cartridge that accommodates this clip, the cartridge has grooves that run in the longitudinal direction, on both sides, open toward the distal end of the cartridge, for mounting and guiding the shoulders of the first and second clamping bar and a plunger, as well as at least one recess for accommodating the clamping bar, the first clamping bar is positioned on the distal end of the cartridge by means of clamping pressure, the plunger is mounted in the cartridge for displacement of the second clamping bar and for ejection of the tissue clamp, and the cartridge has means for a releasable connection with an applicator at the proximal end.

The invention is associated with the particular advantage that while the clip is still open, the first clamping bar mounted at the distal end of the cartridge, with pressure clamping in the guide groove of the cartridge, can temporarily be used as a hook for presentation of the tissue structure to be clipped. Only because of the safe hook function of this first clamping bar does it become possible at all to search for and establish the ideal position for clipping in the tissue while the clip is still open.

The second clamping bar can be brought together with the first clamping bar in infinitely adjustable manner, in one plane, in controlled manner in every situation, whereby the tissue is squeezed in sufficiently gentle manner, but not crushed, precisely at the desired location, by means of the infinitely adjustable pressure clamping, and thereby perfusion in the organic tissue is interrupted.

This new possibility of setting a clip precludes incorrect placement of the clip and thereby serious consequences for the patient. The tissue clamp, with its great closure safety, is a tissue clamp that is particularly suitable for minimally invasive surgery, because setting of the clipping takes place,

in every phase, with an unrestricted view of the OP field, and thereby incorrect placement of the clip is excluded.

The holding pin and holding bore are structured to correspond to one another with their non-circular shape and their cross-section. The clip according to the invention makes it possible for the tissue to be clamped off exclusively by means of an infinitely adjustable pressure clamping mechanism, and for the two clamping bars with the clamped-off tissue to be held in a position that is both torsion-resistant and permanently stable in the longitudinal direction of the tissue clamp.

The holding pin is particularly relieved of bending stress by means of the additional shank that pushes itself, with shape fit, under the shorter corresponding clamping bar when the organic tissue is clamped off, the parallelity of the clamping bars that remains necessary is guaranteed in every phase of the clipping process, and thereby the tissue clamp is given the required great stability.

The stability of the tissue clamp is thereby guaranteed not only by the shank of the longer clamping bar, which shank is placed under the shorter corresponding clamping bar, with shape fit, but also by the clamping pressure of the holding pin that is

relieved of bending stress. Bending open of the two clamping bars during closing of the clip and in its closed state is thereby prevented. The clip maintains its stability until wound healing is complete.

The invention furthermore allows flexible adaptation to different thicknesses of the tissue.

The clip according to the invention can be produced in an extremely delicate version and therefore possesses an extreme spatial mobility that is very important for minimally invasive surgery.

The invention thereby fulfills an urgent need that exists in minimally invasive surgery for a maximum of safety when setting the clip, and, at the same time, guarantees the greatest possible safety for patient and physician. Therefore, significant technical progress is associated with the invention.

In a particular embodiment of the invention, the shoulders of the clamping bar are configured to be flattened toward the distal end, over their entire length or only in part.

According to another embodiment, the clamping surfaces of the clamping bars are roughened or configured in corrugated shape.

According to another embodiment, the clamping surfaces of the first and of the second clamping bar are configured in step shape, corresponding to one another.

A particularly preferred embodiment provides that the shank of the clamping bar has a length that corresponds at least to the longitudinal width of the corresponding first or second clamping bar at its base.

It is advantageous if the width of the shank corresponds to the width of the bed of the cartridge.

According to another embodiment of the invention, the shoulders of the first clamping bar have a ribbing that runs perpendicular to the longitudinal axis of the cartridge.

According to a particularly preferred embodiment of the invention, the clamping pressure of the first clamping bar is brought about by means of the reduction in the clear width between the guide grooves that runs in the direction of the distal end of the cartridge and/or by means of the ribs of the

shoulders of the first clamping bar that engage into recesses of the cartridge.

The shoulders of the first and of the second clamping bar preferably consist of a resorbable material and preferably have an elasticity such that the tissue clamp that is formed can be ejected by means of pressing pressure, even with rigid distal ends of the cartridge, without damage.

According to another embodiment of the invention, the shoulders of the first and of the second clamping bar consist of a non-elastic material, and the distal end of the cartridge is configured to be elastic, so that ejection of the tissue clamp without damage is possible.

Particularly preferred embodiments of the apparatus according to the invention provide that the clear width between the guide grooves decreases in the direction of the distal end of the cartridge and/or the guide grooves of the cartridge (11) have recesses for accommodating the ribbing at the distal end and/or that the distal end of the cartridge and/or the shoulders consist of an elastic material.

According to another embodiment, the means for a releasable connection with the applicator consists of a stop and a fixation element provided at the lower end of a sheathing tube section of the cartridge for accommodation of the applicator, by means of a bayonet closure.

According to another embodiment, the means for a releasable connection with the applicator are engagement elements.

Preferably, the plunger has a fixation element on its underside, which engages into corresponding recesses when the apparatus is handled, which recesses are provided in the bottom of the sheathing tube section, at a distance from one another in the longitudinal direction.

Hence, according to a broad aspect, the invention provides a surgical clip for minimally invasive surgery, for clamping off organic tissue, and to form a tissue clamp comprising a cartridge, a first clamping bar and a second clamping bar, the first clamping bar having a length that is different from a length of the second clamping bar; wherein the cartridge defines proximal and distal ends and comprises grooves, a plunger mounted therein for displacement of the second clamping bar and for ejection of the tissue clamp, and means for a releasable

connection with an applicator at the proximal end; wherein the grooves are configured to be open toward the distal end of the cartridge; wherein the first clamping bar and the second clamping bar, at their base, on both sides, have shoulders for being guided in the grooves of the cartridge, in each instance, and wherein one of the clamping bars has a continuous holding bore into which a holding pin provided on the other clamping bar engages for clamping off the organic tissue, with force fit and shape fit; wherein the first clamping bar is positioned at the distal end of the cartridge; wherein the second clamping bar is adapted to be joined with the first clamping bar, in one plane with the first clamping bar, in infinitely adjustable manner, with pressure clamping of the tissue; wherein the clamping bar with the greater length comprises a shank at its lower end, the shank extending out from the clamping bar in a direction toward the other clamping bar, wherein during joining together with the other clamping bar, the shank clamps off the organic tissue, pushes itself, with shape fit, under the other clamping bar, and thereby gives the tissue clamp additional stability; wherein the first and second clamping bars and their shoulders comprise resorbable material; and wherein a clear width between the grooves in which the shoulders are stored and guided decreases in a direction of the distal end of the cartridge.

**Brief description of the drawings**

In the following, the invention will be explained in greater detail using drawings that show the surgical clip in a significantly enlarged and schematic representation. The drawings show:

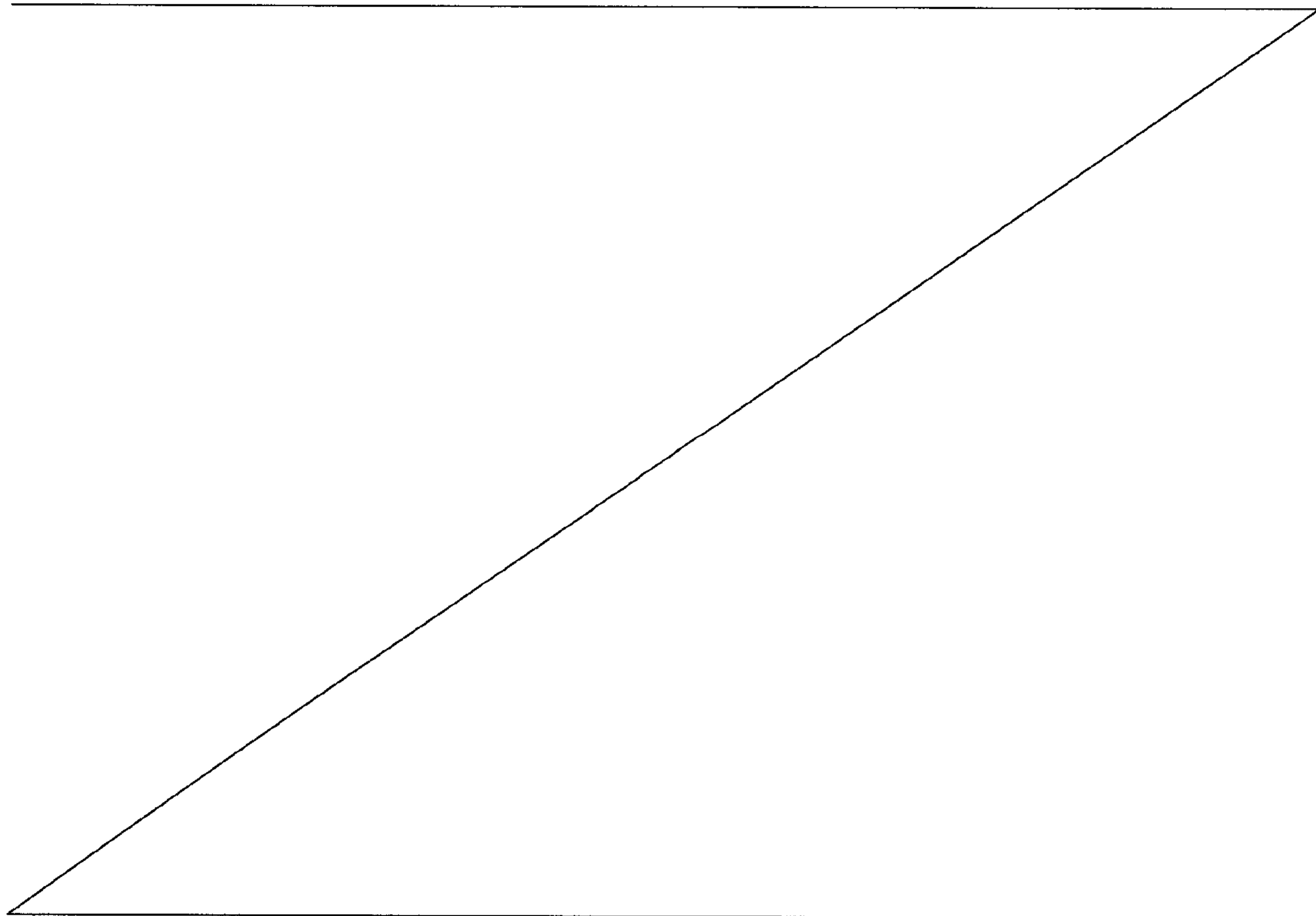
- Fig. 1** the side view of the clip in a schematic diagram;
- Fig. 1a** the top view of the clamping bar of **Fig. 1** with holding pin;
- Fig. 1b** the top view of the clamping bar of **Fig. 1** with holding bore;
- Fig. 2** the side view of a special embodiment of the clip in a schematic diagram;
- Fig. 2a** the top view of the clamping bar of **Fig. 2** with holding pin;
- Fig. 2b** the top view of the clamping bar of **Fig. 2** with holding bore;
- Fig. 3** the side view of another special embodiment of the clip in a schematic diagram;
- Fig. 3a** the top view of the clamping bar of **Fig. 3** with holding pin;
- Fig. 3b** the top view of the clamping bar of **Fig. 3** with holding bore;

- Fig. 4** the side view of another special embodiment of the clip in a schematic diagram;
- Fig. 4a** the top view of the clamping bar of **Fig. 4** with holding pin;
- Fig. 4b** the top view of the clamping bar of **Fig. 4** with holding bore;
- Fig. 5** the side view of another embodiment of the clip;
- Fig. 6** the side view of another embodiment of the clip;
- Fig. 6a** the top view of the clamping bar of **Fig. 6** with holding pin;
- Fig. 6b** the top view of the clamping bar of **Fig. 6** with holding bore;
- Fig. 7** partly in longitudinal section, the schematic diagram of a clamping bar in a cartridge;
- Fig. 8** the side view of a cartridge with inserted clip in a schematic diagram;
- Fig. 9** the front view of the cartridge according to **Fig. 8**;
- Fig. 10a** the side view of a plunger;
- Fig. 10b** the front view of the plunger according to **Fig. 10a**.

#### **Detailed description of embodiments**

Variants, examples and preferred embodiments of the invention are described hereinbelow. As can be seen in **Fig. 1** as well as

in **Figures 1a** and **1b**, the clip according to the invention consists of the first clamping jaws 1 and second clamping bar 2, which correspond to one another, the clamping surfaces of which bars are configured to be concave, and, if necessary, can also have a roughened, corrugated or convex surface. The clamping bars 1, 2 can also possess clamping surfaces configured in planar shape. The shoulders 6 and 7 are provided at the base of the clamping bars 1, 2, which consist of a resorbable material of a known type; the clamping bars 1,2 are horizontally guided in matching grooves 13, 22 of the cartridge 11 used for their application by means of these shoulders, after the clamping bars 1, 2 have previously been



introduced into the cartridge 11 through matching insertion openings 21 and brought into position.

The shank 5 disposed at the base of the second clamping bar 2, which preferably fills the width of the bed 12 of the cartridge 11, is essential to the invention. The first clamping bar 1 having the holding pin 4 is positioned at the distal end of the cartridge 11, not shown here, by means of pressure clamping. In order to clip tissue, the second clamping bar 2 is pushed toward the distal end, whereby the holding bore 3 of the second clamping bar 2 engages around the holding pin 4 of the first clamping bar 1, and the shank 5 pushes itself flush under the shorter first clamping bar 1. When the second clamping bar 2 is pushed against the first clamping bar 1 in order to clip tissue, the shank 5 slides on the bed 12 (**Fig. 7 and Fig. 9**) of the cartridge 11 not shown here. The shank 5 allows rotation-free and tilt-free advancing of the second clamping bar 2 and thereby guarantees the most stable precision when bringing the first clamping bar 1 and the second clamping bar 2 together, until the tissue clamp is formed. The shank 5 advantageously possesses a length that corresponds at least to the longitudinal width of the corresponding clamping bar 1, 2, in each instance.

The holding bore 3 has a shape that deviates from a circle, in its cross-section, for ensuring a rotation-stable position of the tissue clamp.

As soon as the pressure exerted by the plunger 14, not shown here, on the grasped tissue and the clamping bar 1, by way of the second clamping bar 2, exceeds the clamping pressure of the cartridge 11 on the shoulders 6, 7 of the first clamping bar 1, the tissue clamp formed by means of the force fit and shape fit of the holding pin 4 in the holding bore 3 is released out of the cartridge 11 by means of the plunger 14. It is important, in this connection, that a resorbable material is used for the shoulders 6; 7 of the clamping bars 1, 2, the elasticity of which allows ejection of the tissue clamp formed, from the distal end of the cartridge, without damage, even when the ends of the cartridge 11 are configured to be rigid. If a non-elastic material is used for the shoulders 6, 7 of the clamping bars 1 and 2, elastic configuration of the distal ends of the cartridge 11 allows ejection of the tissue clamp without damage. The elasticity of the resorbable material and the elasticity of the distal ends of the cartridge can also be coordinated with one another, in order to guarantee ejection of the tissue clamp without damage.

The shank 5 has particular importance from a medical, particularly a surgical aspect. It gives the finished tissue clamp additional mechanical stability, above all, in addition to supporting the rotationally stable position, along with great security in the longitudinal direction of the tissue clamp, with simultaneously secure fixation of the tissue structure. This additional stability is of decisive importance when clips having a greater length of the clamping bars 1, 2 are used. In general, clips having a length of the clamping bars of 5 mm to 20/25 mm are used.

The tissue clamp, with the shank 5 positioned under the first clamping bar 1 and the shape-fit and force-fit connection of the holding pin 4 in the holding bore 3, has a stable two-point mounting that continuously exerts the same clamping pressure on the tissue between the first clamping bar 1 and the second 2.

**Figures 2, 2a, and 2b** show a special embodiment of the invention in a side view and top views. As is evident from **Fig. 2a**, the shoulders 6 of the first clamping bar 1 are flattened toward the distal end of the bar, and here have two ribs 10, in each instance, that run vertically on each side. However, the

clamping bar 1 can also be provided shoulders 6 having only one rib 10 or more than two ribs 10 on each side. The cartridge 11, corresponding to the ribs 10, possesses corresponding recesses on its two inner surfaces. However, it is also possible that the shoulders 6, 7 have recesses for the ribs that are configured corresponding to them in the guide grooves. The ribs 10 fix the first clamping bar 1 in place, by themselves or in addition to the pressure clamping exerted by the cartridge 11. The stable and tilt-free seat of the first clamping bar 1 is supported in this manner. The ribs 10 thereby, at the same time, support the use of the first clamping bar 1, which is used in surgery, as a fixed, tilt-free hook for presentation of the tissue to be clipped while the clip is open; this is connected with an outstanding increase in efficiency in terms of the precision and safety of the clipping process.

When the tissue clamp is closed, the bending stress of the holding pin 4 is significantly reduced, if not actually eliminated, by the shank 5, which engages under the corresponding clamping bar; this is connected with a significant increase in the stability of the tissue clamp.

For the hook function, it is of particular importance that the bending stress of the holding pin 4 is significantly reduced or actually eliminated.

For use of a clip configured in this manner, it is advantageous if the clear width between the guide grooves 13, 22 decreases toward their distal end and/or the lateral parts of the cartridge are configured to be elastic toward their distal end.

The degree of the infinitely adjustable clamping of the tissue can be varied by means of the contact angle of the clamping surfaces of the shoulders 6, 7 and the corresponding groove 13, 22 of the cartridge 11 during its production, and adapted to the desired press-down pressure on the clamping bars 1, 2, in each instance. Furthermore, the degree of the pressure clamping can be adjusted by means of the selection of a material for the clamping bars 1, 2 and the cartridge 11, having a suitable modulus of elasticity.

**Fig. 7**, in a partial longitudinal section and a schematic diagram, shows a first clamping bar 1 positioned at the distal end of a cartridge 11, with its partially flattened shoulders. The distal end of the cartridge 11 is configured to be elastic

and has a clear width of the guide grooves 13 that decreases toward the distal end. The cartridge 11 has an ejection channel that reaches over a part or the entire width of the shoulders of the first clamping bar 1, on both sides. In contrast to this, in the case of known technical solutions, the guide pins used to guide clamping bars must be sheared off in order to eject the tissue clamp.

A further embodiment of the invention is evident from **Figures 3, 3a, and 3b**. The shoulders 6, 7 do not extend, in each instance, over the entire width of the base of the clamping bars 1, 2. Here, the clamping surfaces 8 of the clamping bars 1, 2 are configured in corresponding step shape, and in this regard engage into one another when the tissue is clipped. Shoulders 6, 7 that extend over the entire longitudinal width of the clamping bars 1, 2 can also be divided.

**Figures 4, 4a, and 4b** also show an embodiment of the invention having special shaping of the clamping surfaces 9 of the clamping bars 1, 2. The clamping surface 9 of the second clamping bar 2, which is configured as an obtuse angle in cross-section, engages into a correspondingly configured shape of the cross-section of the clamping surface 9 of the first clamping bar 1 for clipping.

Such a configuration of the clamping surfaces 9 supports secure fixation of the tissue, above all if, in addition, these surfaces 9 have a roughened surface.

As is evident from **Fig. 5**, the holding pin 4, together with the shank 5 that is essential to the invention, which preferably has the same width as the second clamping bar 2, can also be provided on the latter, just like the first clamping bar 1 can have both the holding pin 4, the shank 5, and the clamping bar 2, which is then shorter, can have the holding bore 3.

**Figures 6, 6a, and 6b** show another embodiment of the invention. The shoulders 6 of the first clamping bar 1 have a vertically running ribbing 10 in addition to their flattening that runs toward the distal end, this ribbing consisting of a rib or multiple ribs. The lateral parts of the cartridge 11 possess matching accommodations for the ribbing 10, in each instance.

It is understood that the clip according to the invention can contain the technical characteristics shown in **Figures 1 to 7** in different combinations. For example, the ribbing 10 can also be provided on the non-flattened shoulders 6 and 7 of the clamping bars 1, 2. The shank 5 can also be disposed on the first

clamping bar 1. When the clamping bars 1 and 2 are brought together, the second clamping bar 2, which is then shorter in this case, pushes itself flush over the shank 5 with its lower end, and in this connection clamps off soft tissue or blood vessels or interrupts them.

**Fig. 8** shows a schematic diagram of a cartridge 11 used for applying the clip according to the invention, as an apparatus suitable for this purpose.

The clamping bars 1, 2 were introduced into the cartridges 11 by way of the insertion openings 21 present on both sides. However, the cartridge 11 can also have insertion openings for the first clamping bar 1 and for the second clamping bar 2, in each instance, separate from one another. The clamping bar 2 can be horizontally displaced by means of the plunger 14, and the tissue clamp formed after it is joined together with the first clamping bar 1, with the inclusion of organic tissue, can be ejected. At its proximal end, the cartridge 11 is configured in the form of a sheathing tube section 17. The cartridge 11 is equipped with the plunger 14 by means of the sheathing tube section 17. On the other hand, the sheathing tube section 17 serves for coupling with the applicator, not shown here, as the handling instrument.

For this purpose, the tubular end of the applicator, configured for a bayonet closure, is pushed onto the sheathing tube section 17 up to the stop 15, and positioned in stable manner by means of the fixation element 16.

**Fig. 9** schematically shows the front view of the cartridge 11 according to **Fig. 8** equipped with a clip according to **Fig. 1**. The first clamping bar 1 is positioned in the grooves 13 and 22 of the cartridge 11 and guided in them. The shank 5 of the second clamping bar 2 slides on the bed 12 of the cartridge 11. It can be clearly seen that the groove 13 and the groove 22 are structured to be continuous and open toward the distal end of the cartridge 11. In order to guarantee the pressure clamping of the first clamping bar 1 in the cartridge 11, in this exemplary embodiment the clear width formed by the groove 13 and the groove 22 decreases in the direction of the distal end of the cartridge 11. In such an embodiment of the cartridge 11 according to **Fig. 7**, the distal end of the cartridge 11 and/or the shoulders 6, 7 of the clamping bars 1, 2 can be formed from an elastic material, to support the pressure clamping. The pressure clamping of the first clamping bar 1 can also already be achieved solely by means of formed and vertically running ribs that engage into matching recesses in the guide grooves 13, 22 or the shoulders 6, 7.

A plunger 14 that can be used for the cartridge 11 is shown schematically in a side view in **Fig. 10a** and in the front view of the latter in **Fig. 10b**. The plunger 14 has the shoulders 20 on both sides, which can also be mounted in the grooves 13 and 22 and guided in them by means of the applicator, not shown. For secure initial positioning of the plunger 14 in the sheathing tube section 17, the lower crosspiece 23 of the plunger 14 can have a resiliently configured tongue 18 that engages, by means of the fixation element 18, into a corresponding recess of the sheathing tube section 17, not shown here. In order to prevent ejection of the plunger 14 from the cartridge 11 together with the tissue clamp, the cartridge 11 has a further recess, also not shown here, at its bottom between the distal end and the stop 15 configured as a ring-shaped bead, into which recess the fixation element 18 engages after ejection of the tissue clamp, so that the plunger 14 cannot be ejected.

**REFERENCE SYMBOL LIST**

- 1 clamping bar;
- 2 clamping bar;
- 3 holding bore;
- 4 holding pin;
- 5 shank;
- 6 shoulder;
- 7 shoulder;
- 8 recess;
- 9 clamping surface;
- 10 ribbing
- 11 cartridge
- 12 cartridge bed
- 13 groove
- 14 plunger
- 15 stop
- 16 fixation element
- 17 sheathing tube section
- 18 fixation element
- 19 spring tongue
- 20 shoulder
- 21 insertion opening
- 22 groove
- 23 crosspiece

**CLAIMS**

1. A surgical clip for minimally invasive surgery, for clamping  
off organic tissue, and to form a tissue clamp comprising a  
5 cartridge, a first clamping bar and a second clamping bar, the  
first clamping bar having a length that is different from a length  
of the second clamping bar;

wherein the cartridge defines proximal and distal ends and  
comprises grooves, a plunger mounted therein for displacement of  
10 the second clamping bar and for ejection of the tissue clamp, and  
means for a releasable connection with an applicator at the  
proximal end;

wherein the grooves are configured to be open toward the  
distal end of the cartridge;

15 wherein the first clamping bar and the second clamping bar,  
at their base, on both sides, have shoulders for being guided in  
the grooves of the cartridge, in each instance, and wherein one of  
the clamping bars has a continuous holding bore into which a  
holding pin provided on the other clamping bar engages for clamping  
20 off the organic tissue, with force fit and shape fit;

wherein the first clamping bar is positioned at the distal  
end of the cartridge;

wherein the second clamping bar is adapted to be joined with  
the first clamping bar, in one plane with the first clamping bar,  
25 in infinitely adjustable manner, with pressure clamping of the  
tissue;

wherein the clamping bar with the greater length comprises a  
shank at its lower end, the shank extending out from the clamping  
bar in a direction toward the other clamping bar, wherein during  
30 joining together with the other clamping bar, the shank clamps off  
the organic tissue, pushes itself, with shape fit, under the other

clamping bar, and thereby gives the tissue clamp additional stability;

wherein the first and second clamping bars and their shoulders comprise resorbable material; and

5 wherein a clear width between the grooves in which the shoulders are stored and guided decreases in a direction of the distal end of the cartridge.

2. The surgical clip according to claim 1, wherein the shoulders  
10 of the first clamping bar are configured to be flattened toward the distal end, over their entire length or only in part, corresponding, in each instance, with a reduction in the clear width between the grooves of the cartridge.

15 3. The surgical clip according to claim 1 or 2, wherein clamping surfaces of the first and second clamping bars are configured to be roughened or corrugated.

4. The surgical clip according to claim 1 or 2, wherein clamping  
20 surfaces of the first and second clamping bars are configured in step shape.

5. The surgical clip according to claim 1 or 2, wherein clamping  
25 surfaces of the first and second clamping bars are configured to be concave.

6. The surgical clip according to any one of claims 1 to 5,  
wherein the shank has a length that corresponds to at least a longitudinal width of the corresponding clamping bar at the base  
30 of the clamping bar.

7. The surgical clip according to claim 1, wherein the shoulders of the first clamping bar have vertically running ribbings.

8. The surgical clip according to claim 1, wherein the clamping  
5 pressure of the first clamping bar is brought about by a reduction in the clear width between the grooves and/or by means of ribs of the shoulders of the first clamping bar that engage into recesses provided in the grooves at the distal end of the cartridge.

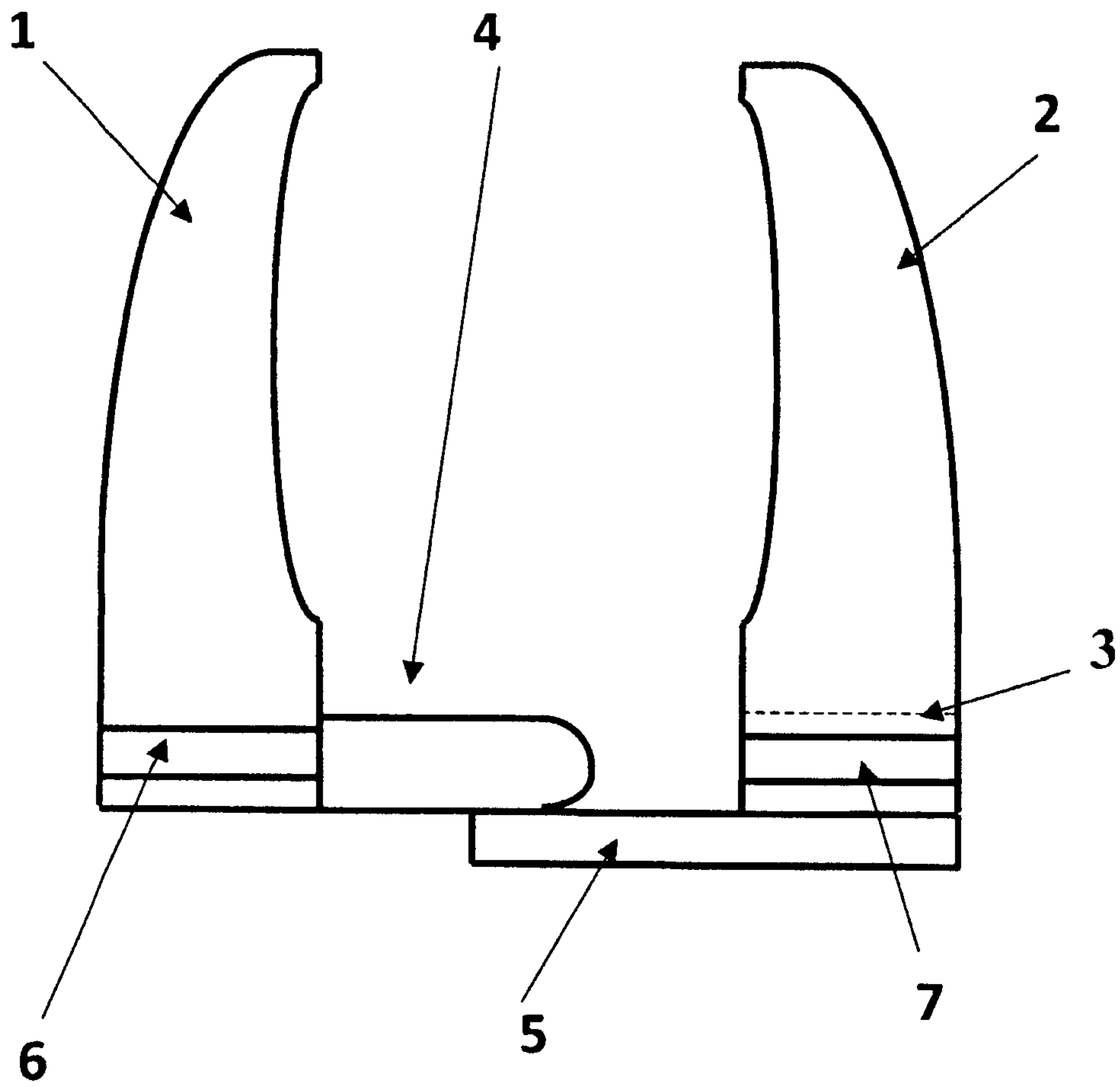
10 9. The surgical clip according to any one of claims 1 to 8, wherein a width of the shank corresponds to a width of a bed of the cartridge.

10. The surgical clip according to any one of claims 1 to 9,  
15 wherein each of the shoulders of the first and second clamping bars has an elasticity such that, in use, the tissue clamp is adapted to be ejected by pressing pressure.

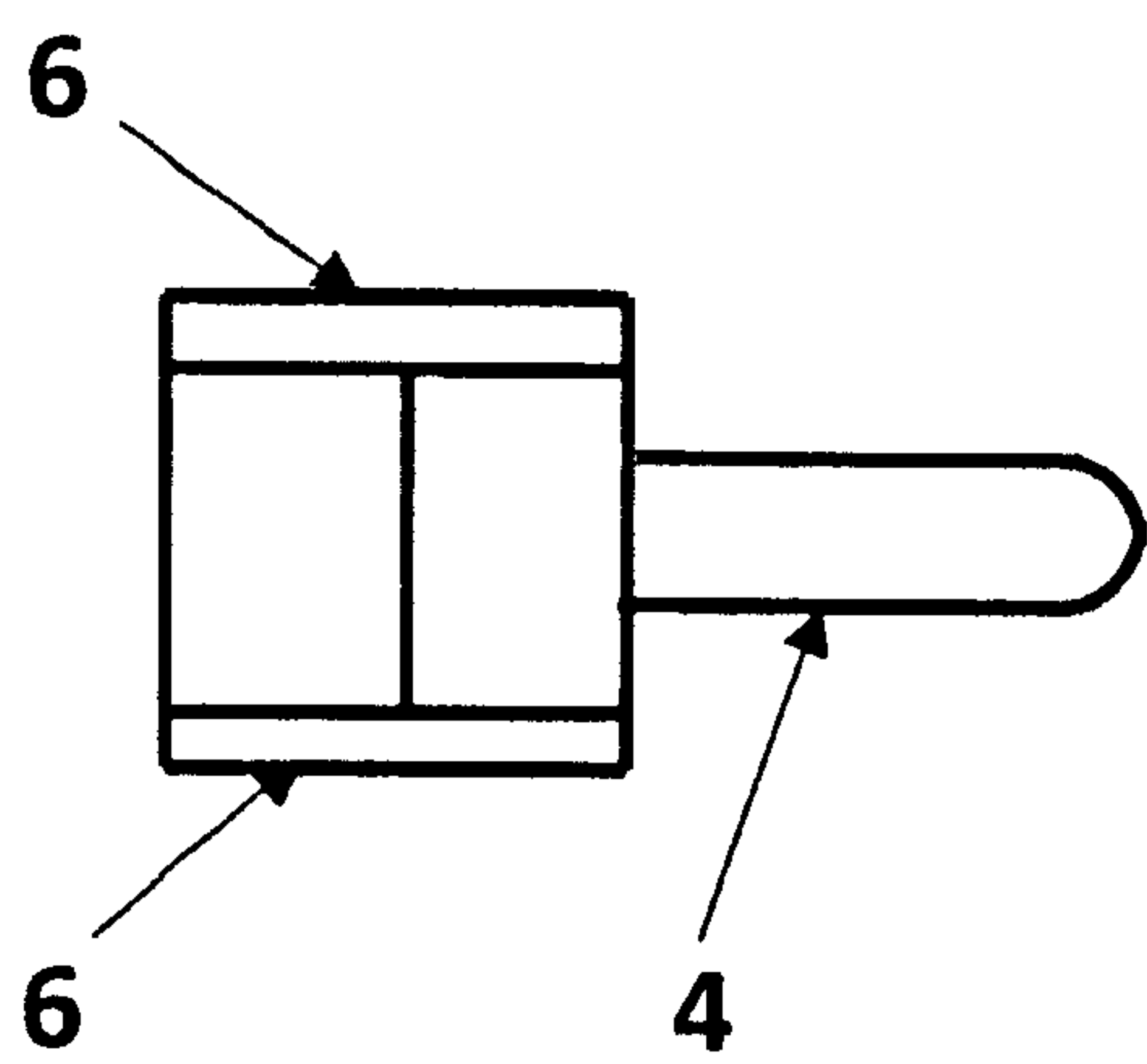
11. The surgical clip according to any one of claims 1 to 9,  
20 wherein each of the shoulders of the first and second clamping bars comprises a non-elastic material and wherein the distal end of the cartridge has an elasticity such that, in use, the tissue clamp is adapted to be ejected.

25 12. The surgical clip according to any one of claims 1 to 11, wherein the means for the releasable connection with the applicator comprises a stop and a fixation element provided at a lower end of a sheathing tube section of the cartridge for accommodation of the applicator by means of a bayonet closure or wherein the means are  
30 engagement elements.

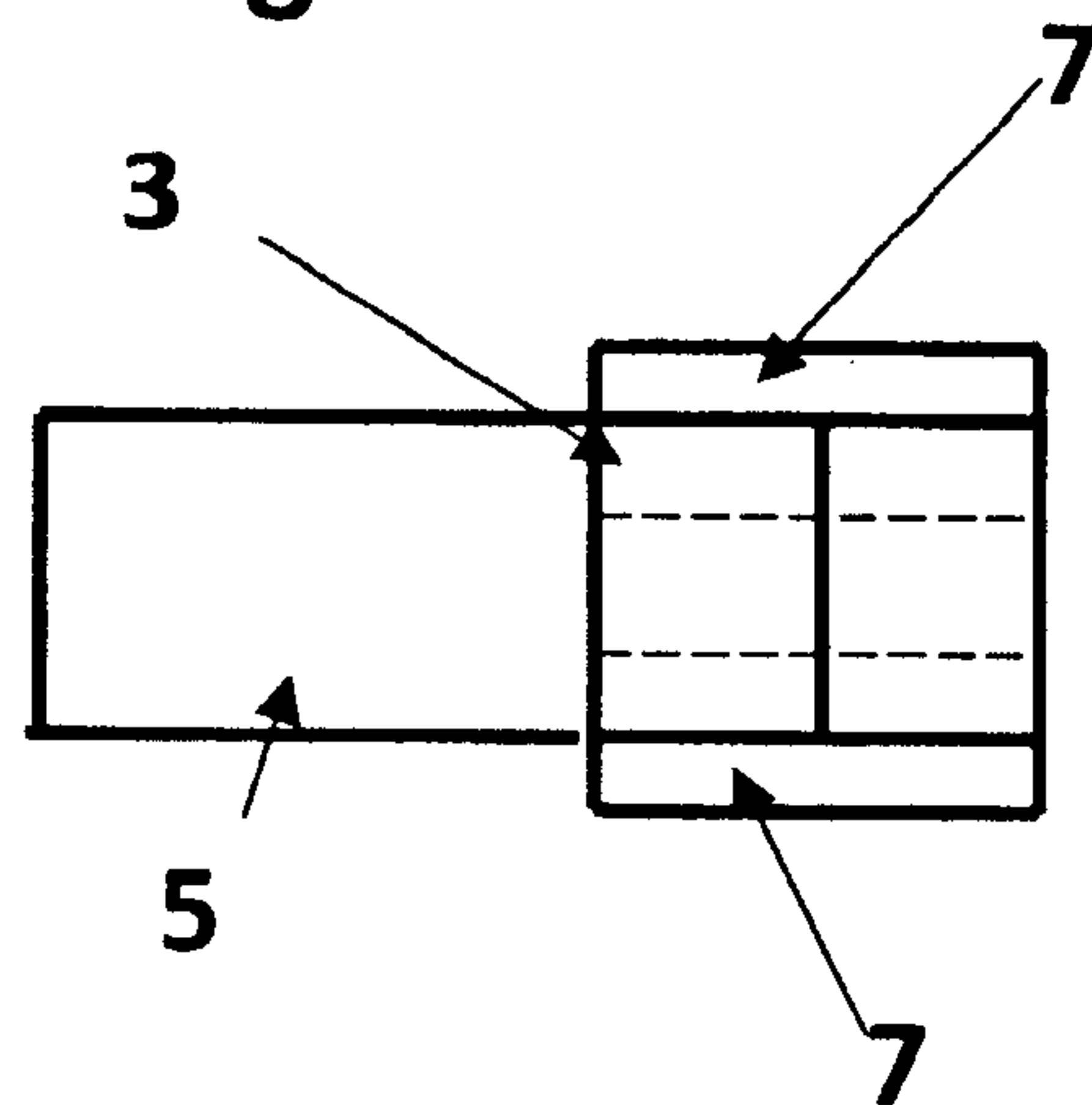
13. The surgical clip according to any one of claims 1 to 7,  
wherein the plunger has a fixation element that engages into  
corresponding recesses when the surgical clip is handled, which  
recesses are provided in a bottom of a sheathing tube section, at  
5 a distance from one another in a longitudinal direction.



**Fig. 1**



**Fig. 1a**



**Fig. 1b**

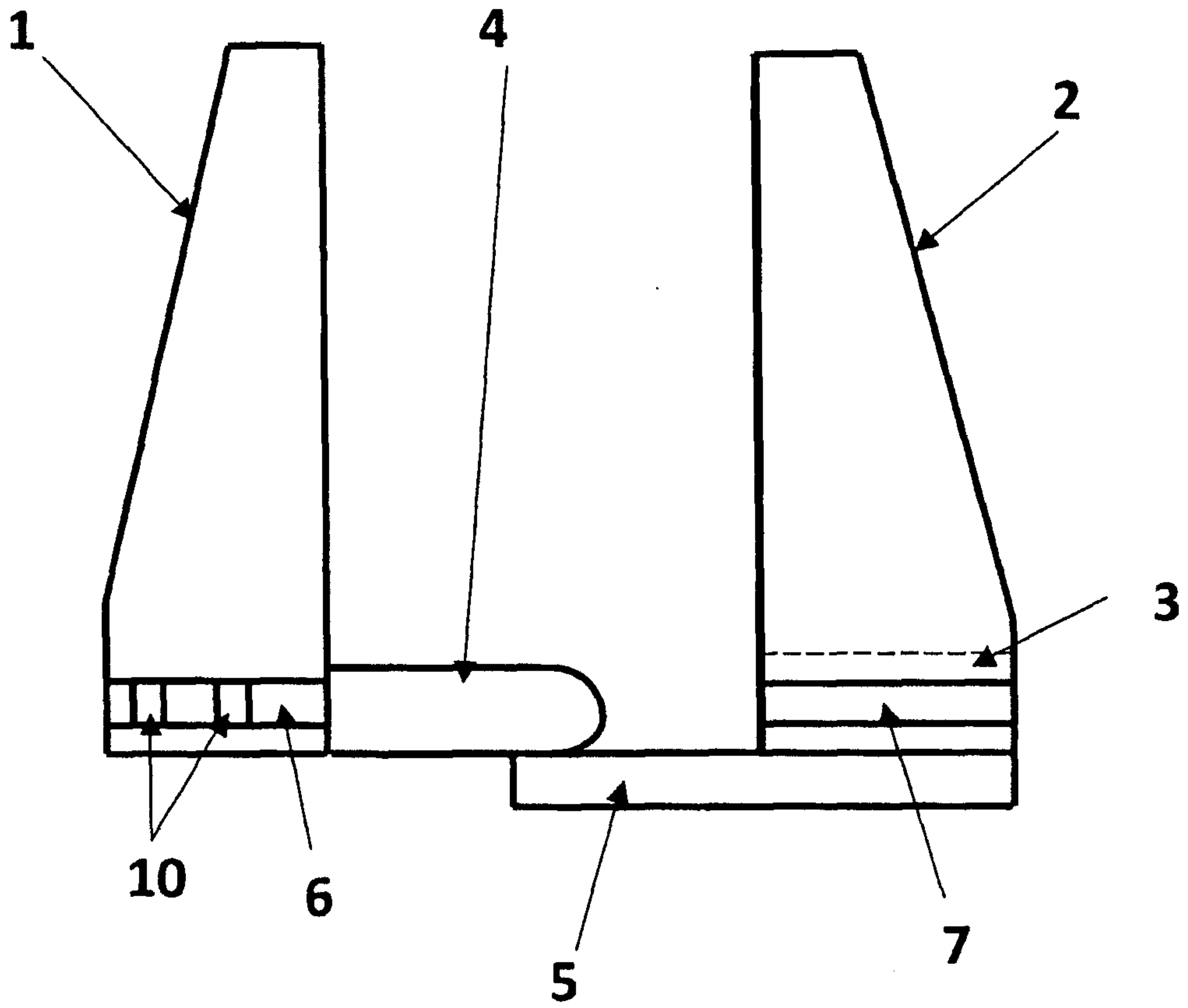


Fig. 2

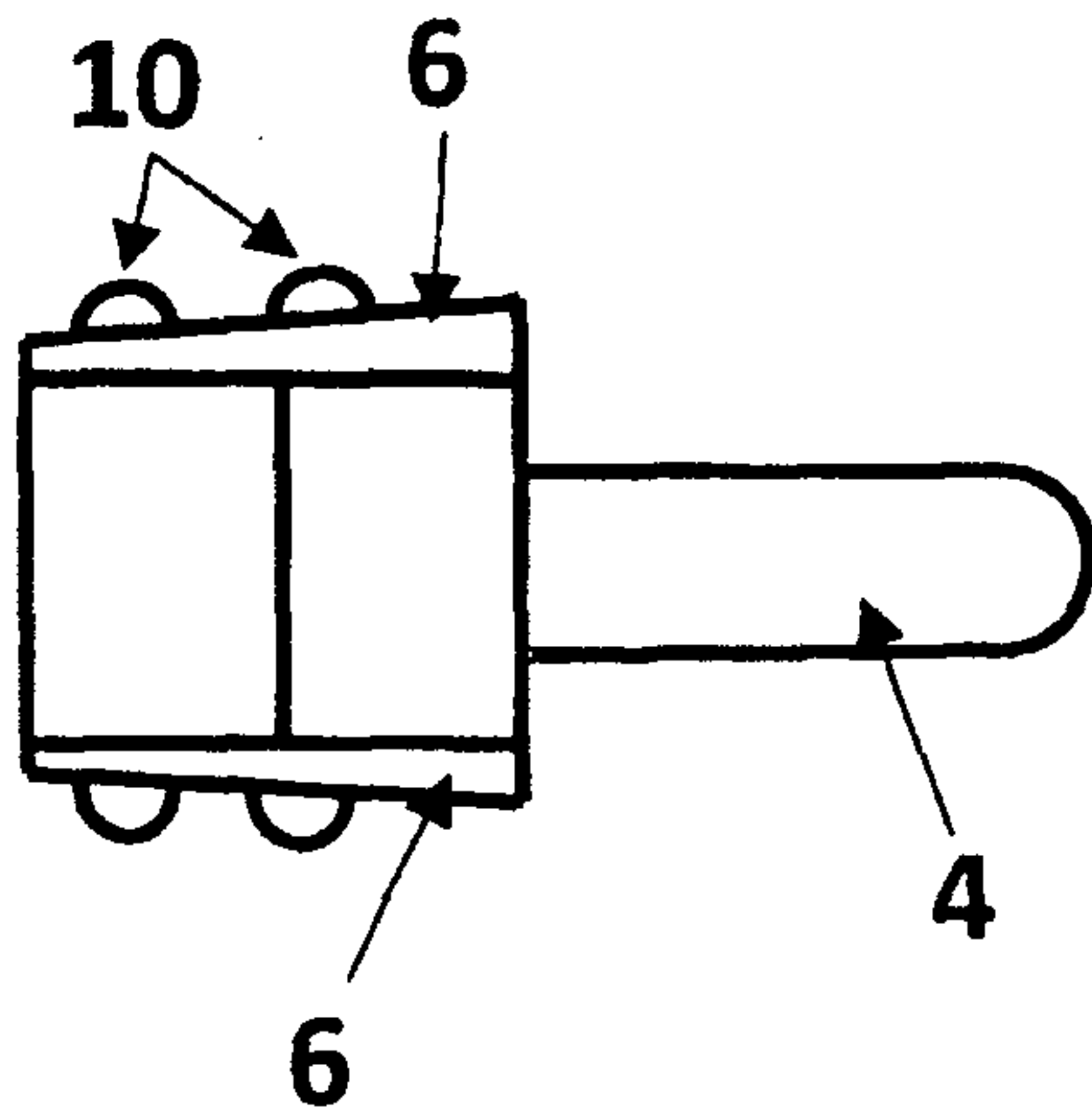


Fig. 2a

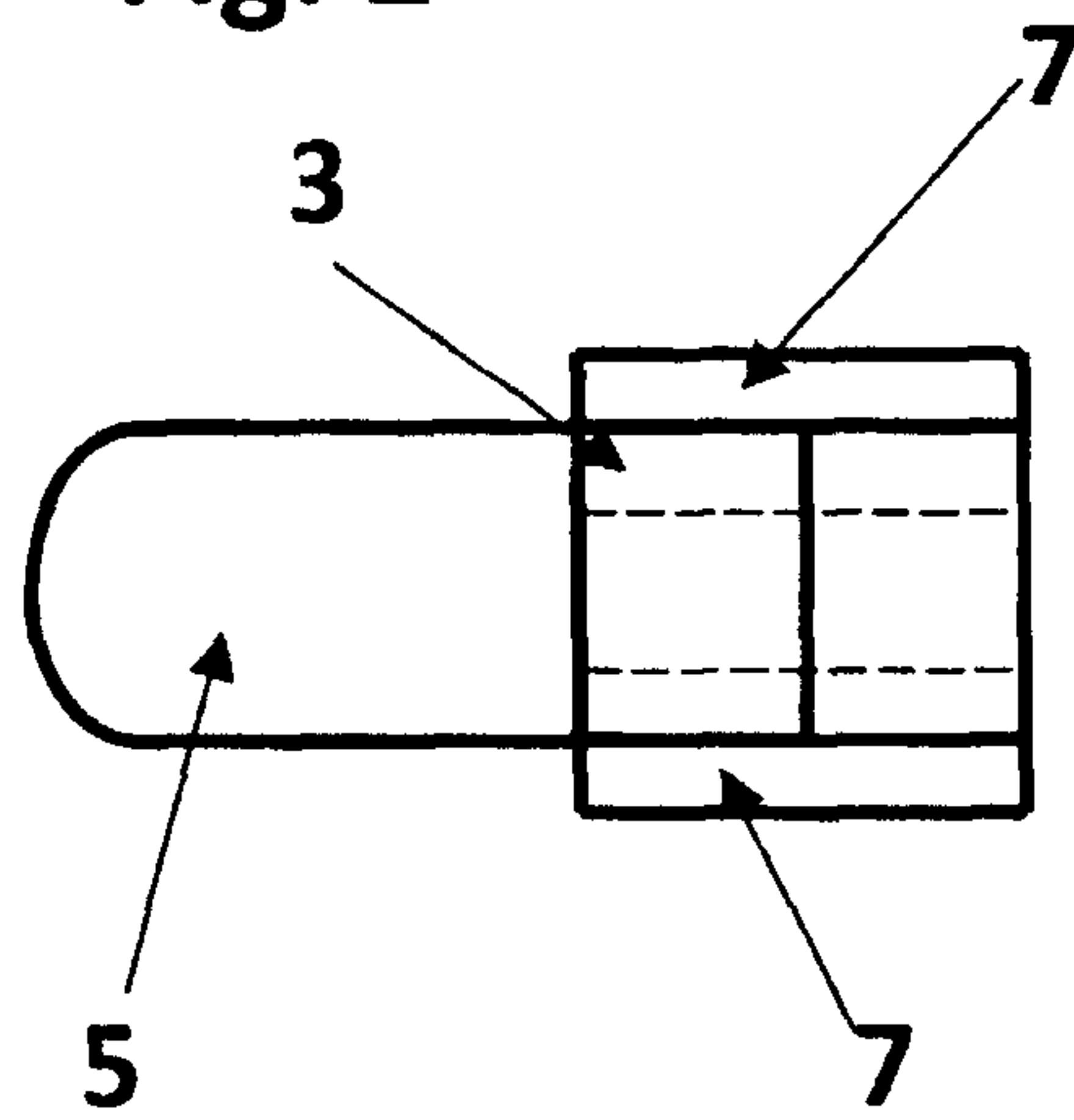


Fig. 2b

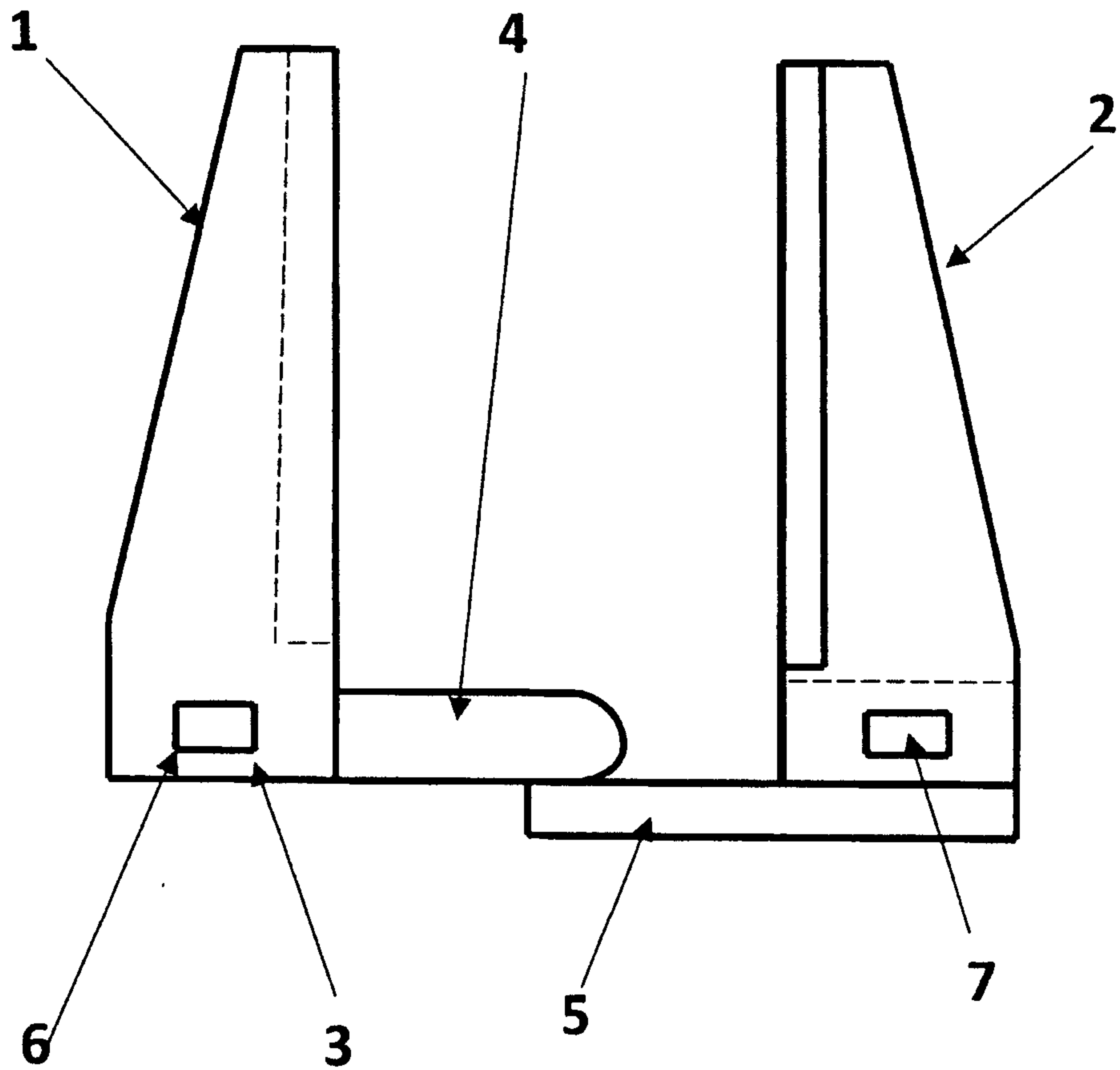


Fig. 3

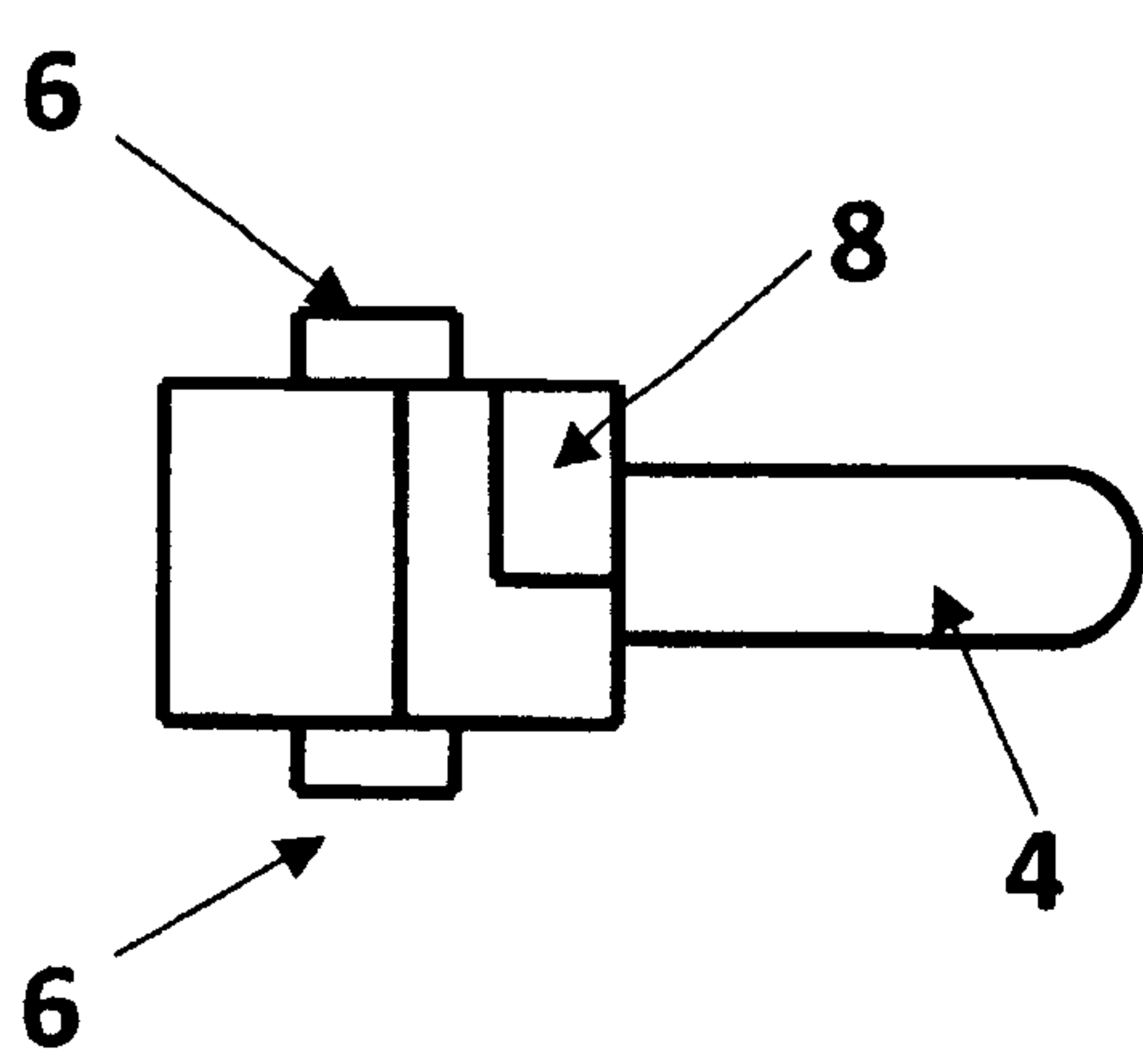


Fig. 3a

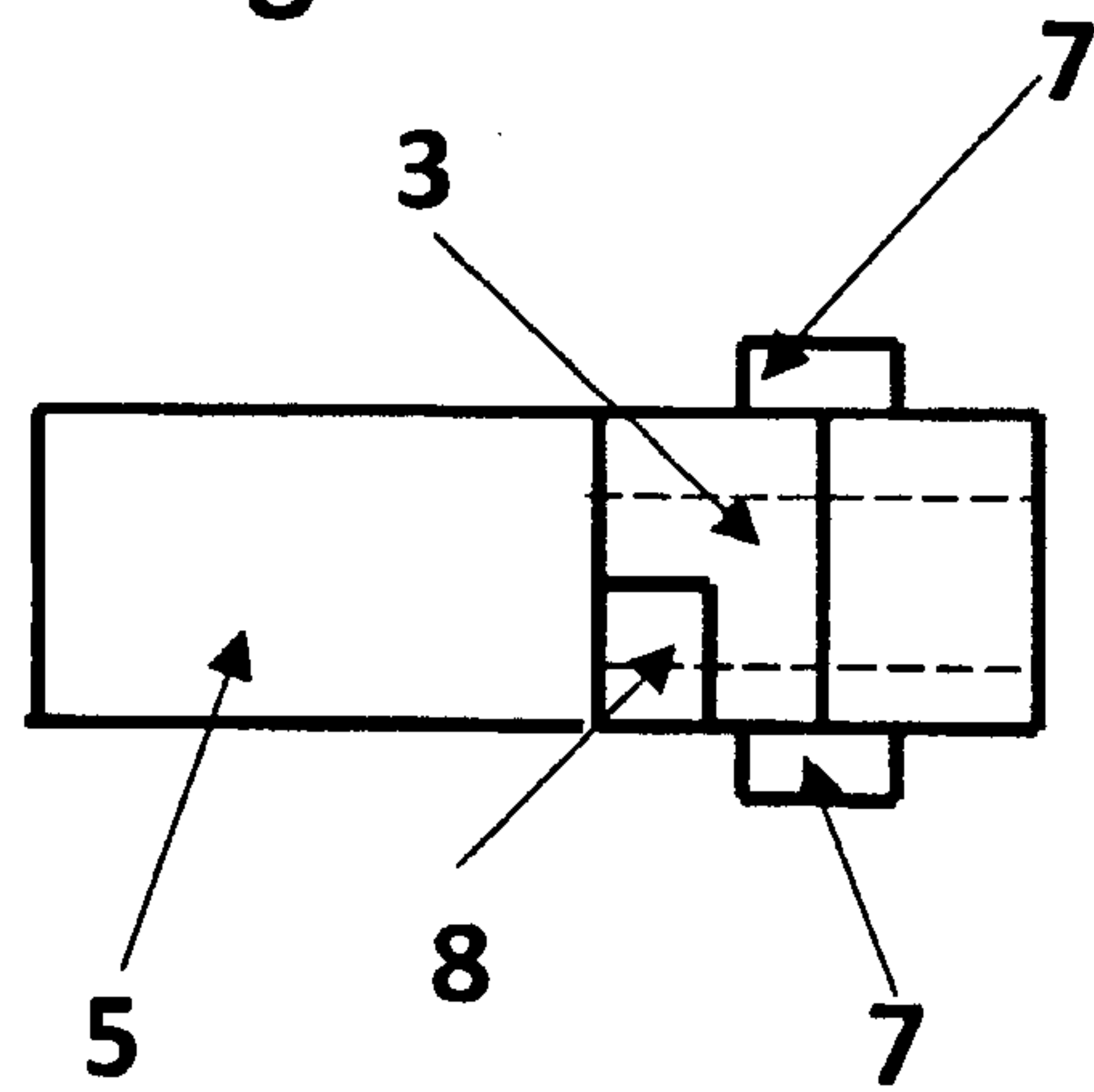


Fig. 3b

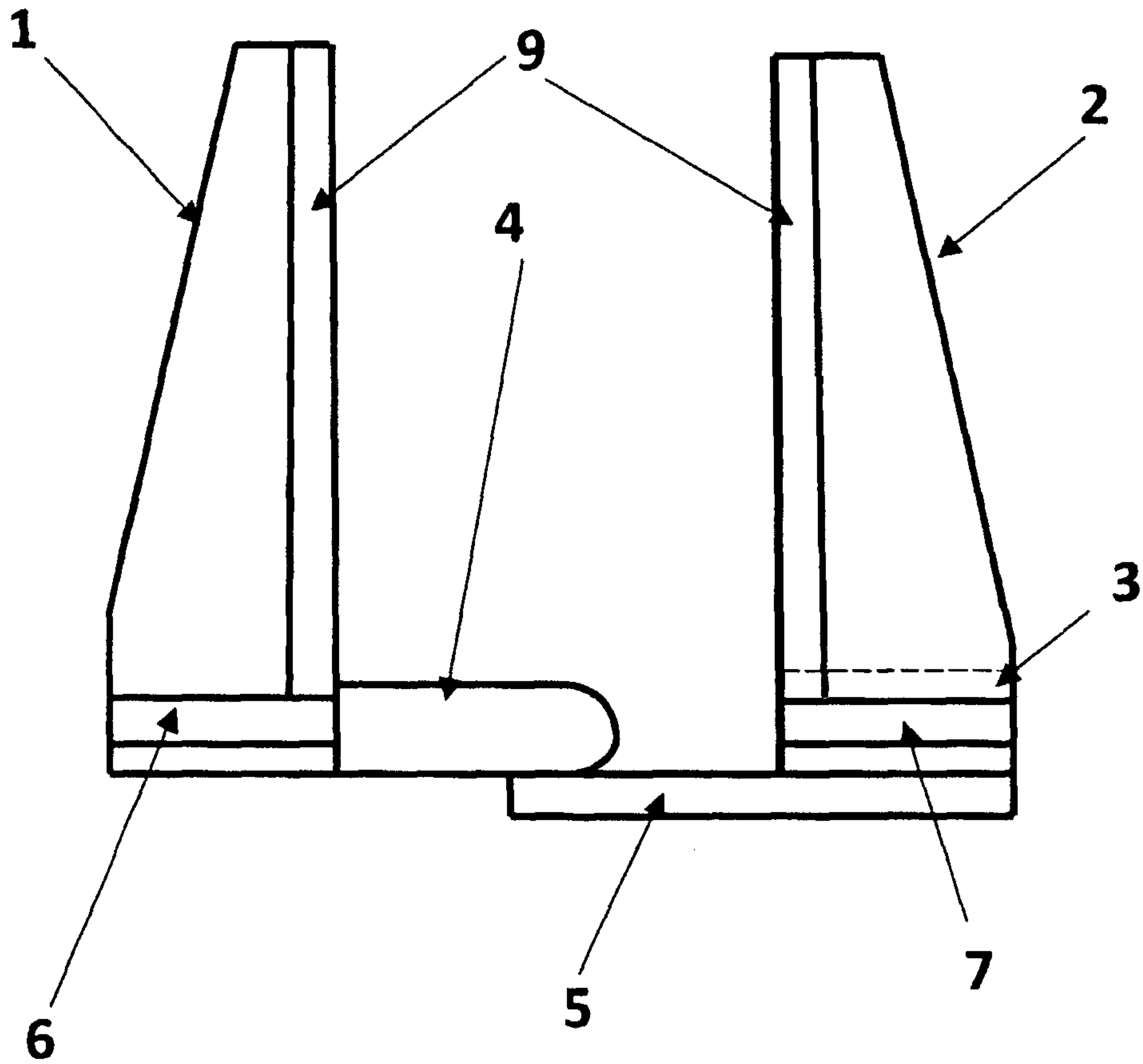


Fig. 4

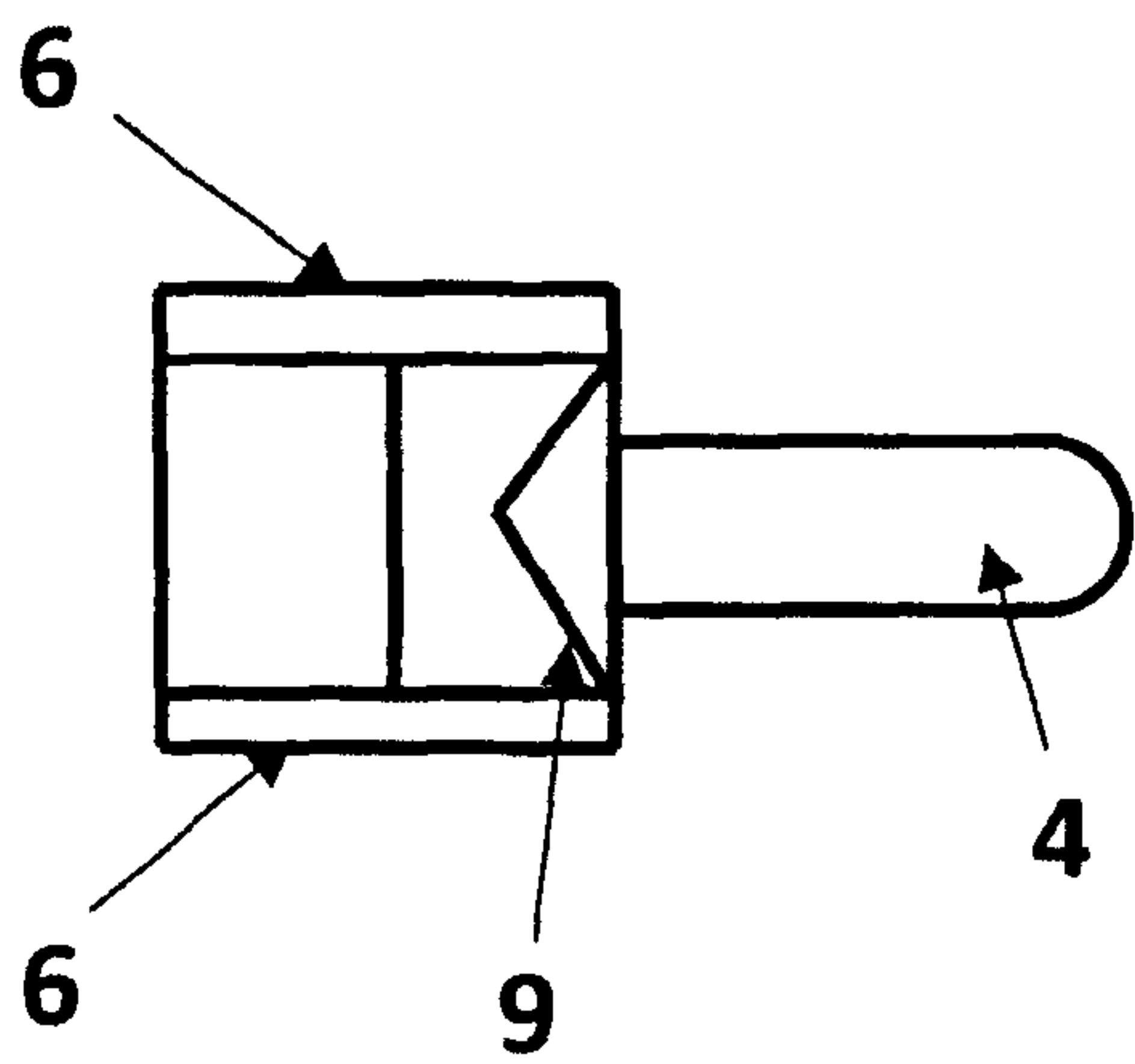


Fig. 4a

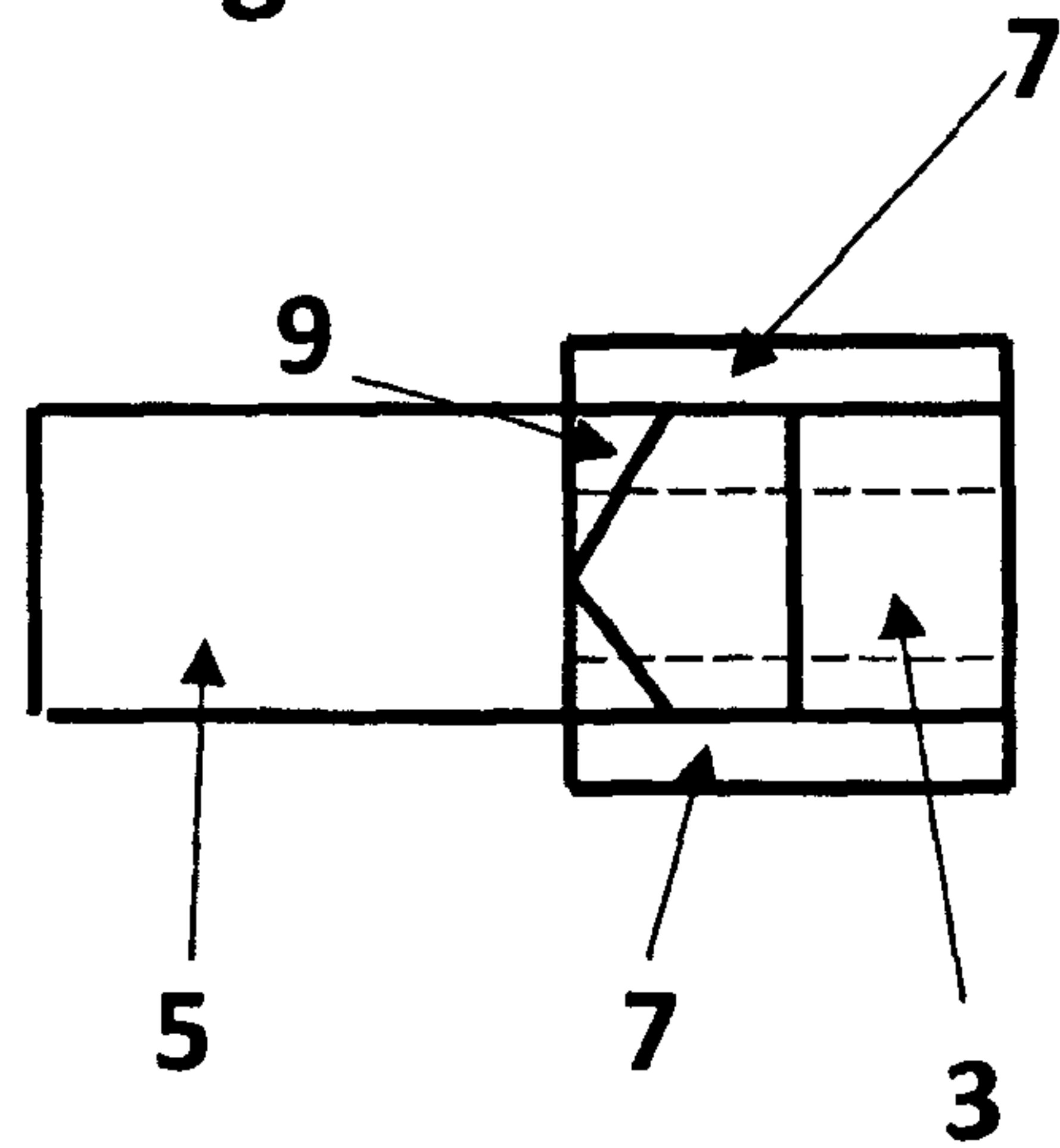


Fig. 4b

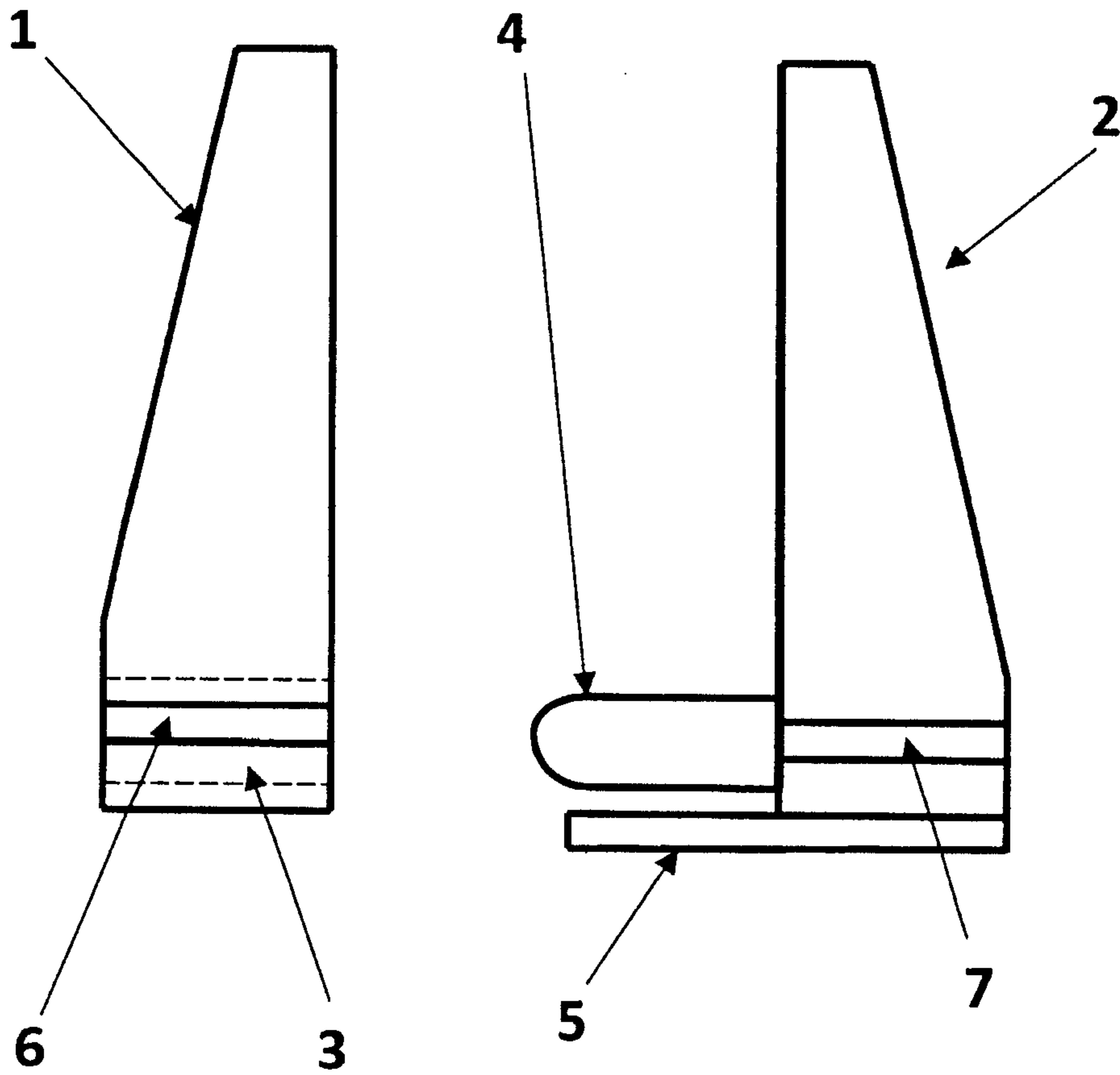


Fig. 5

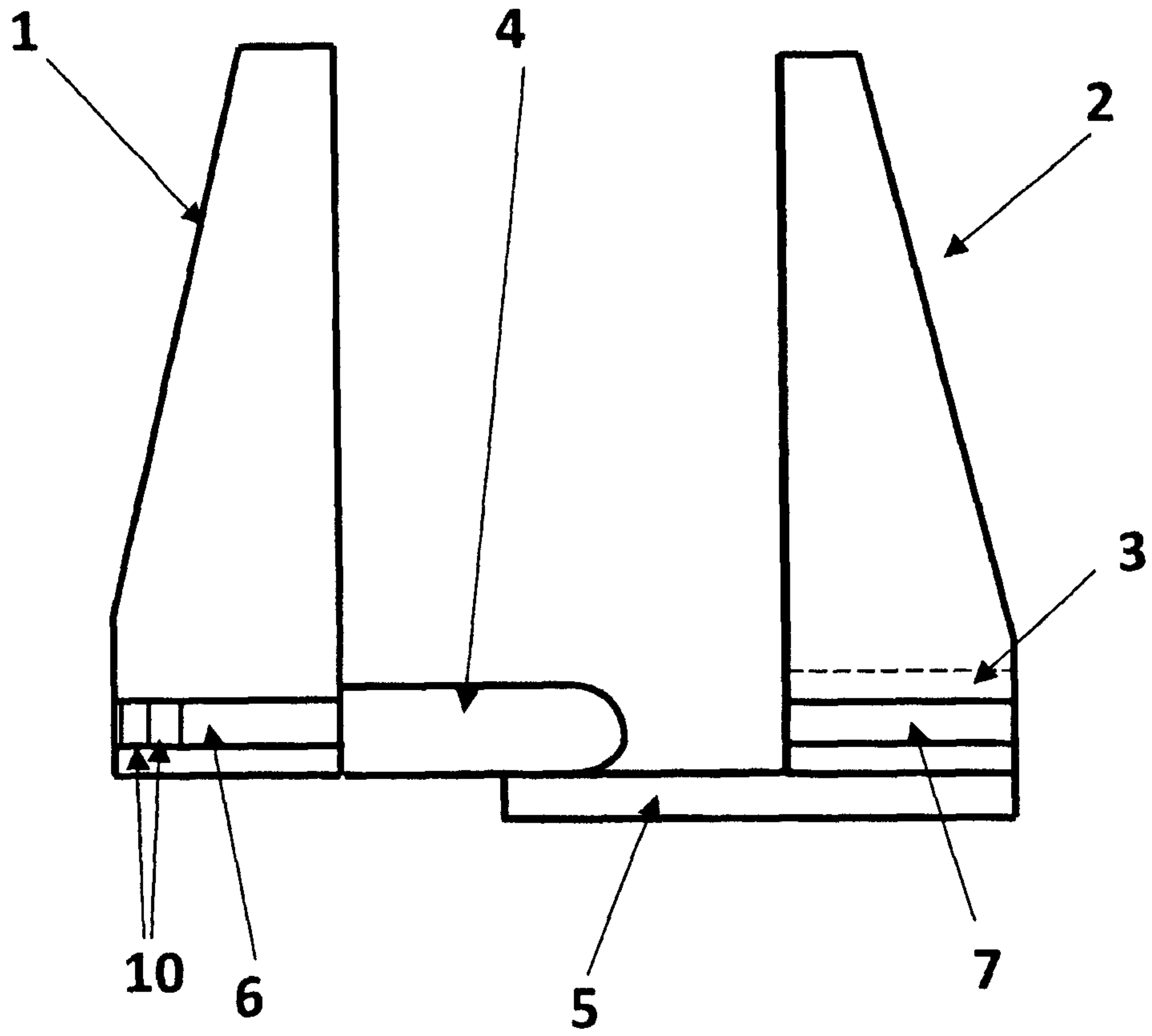


Fig. 6

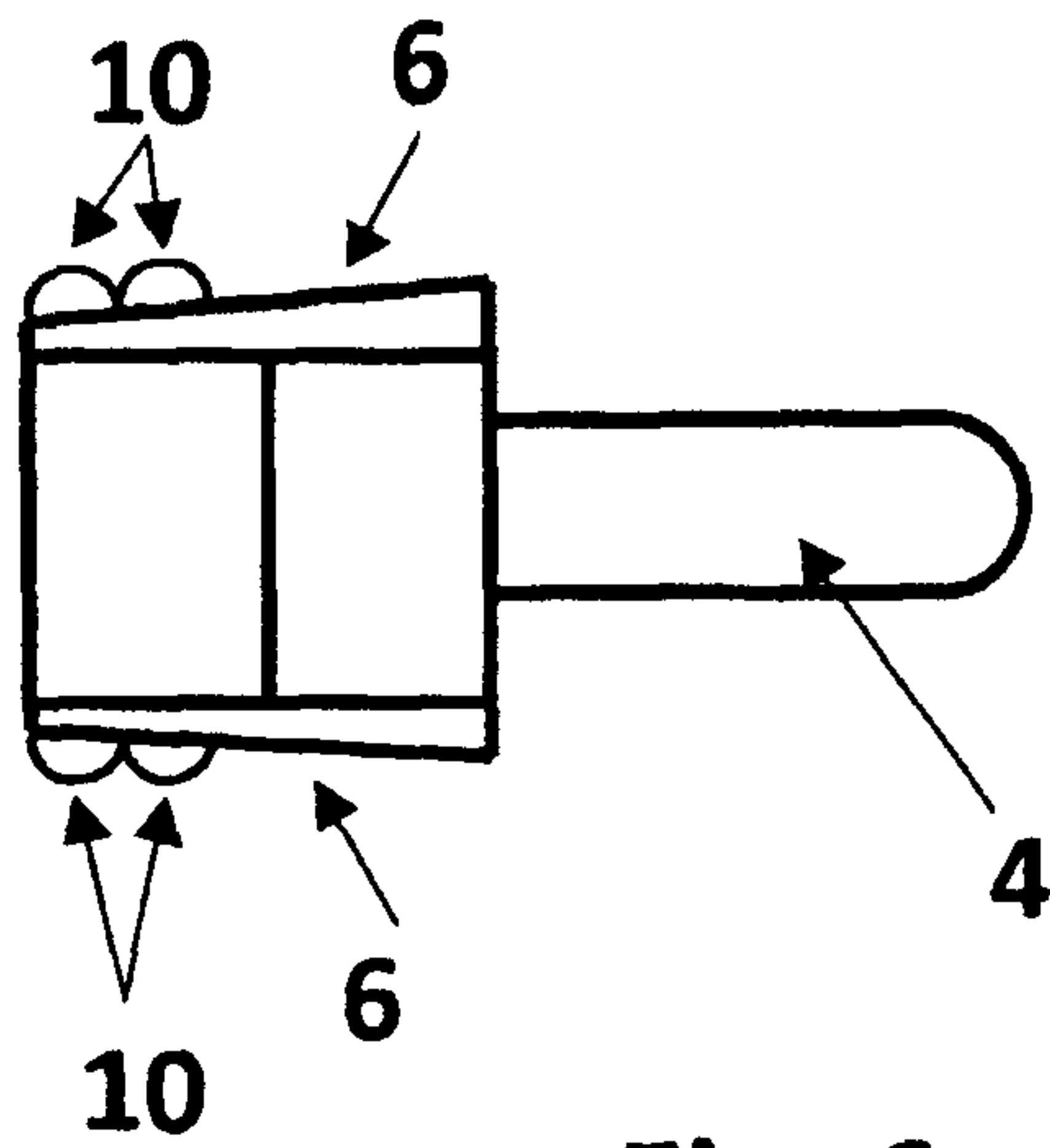


Fig. 6a

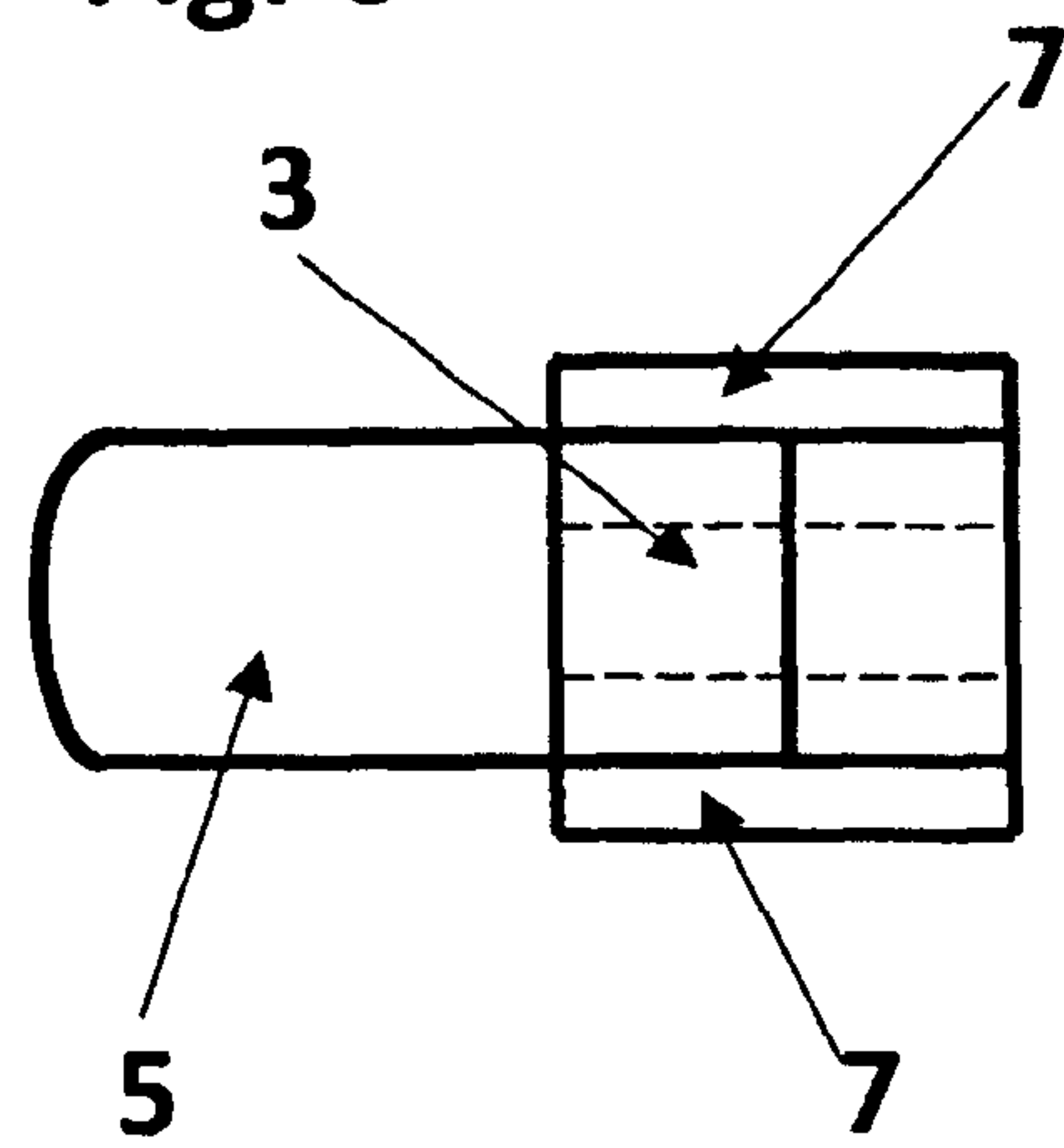


Fig. 6b

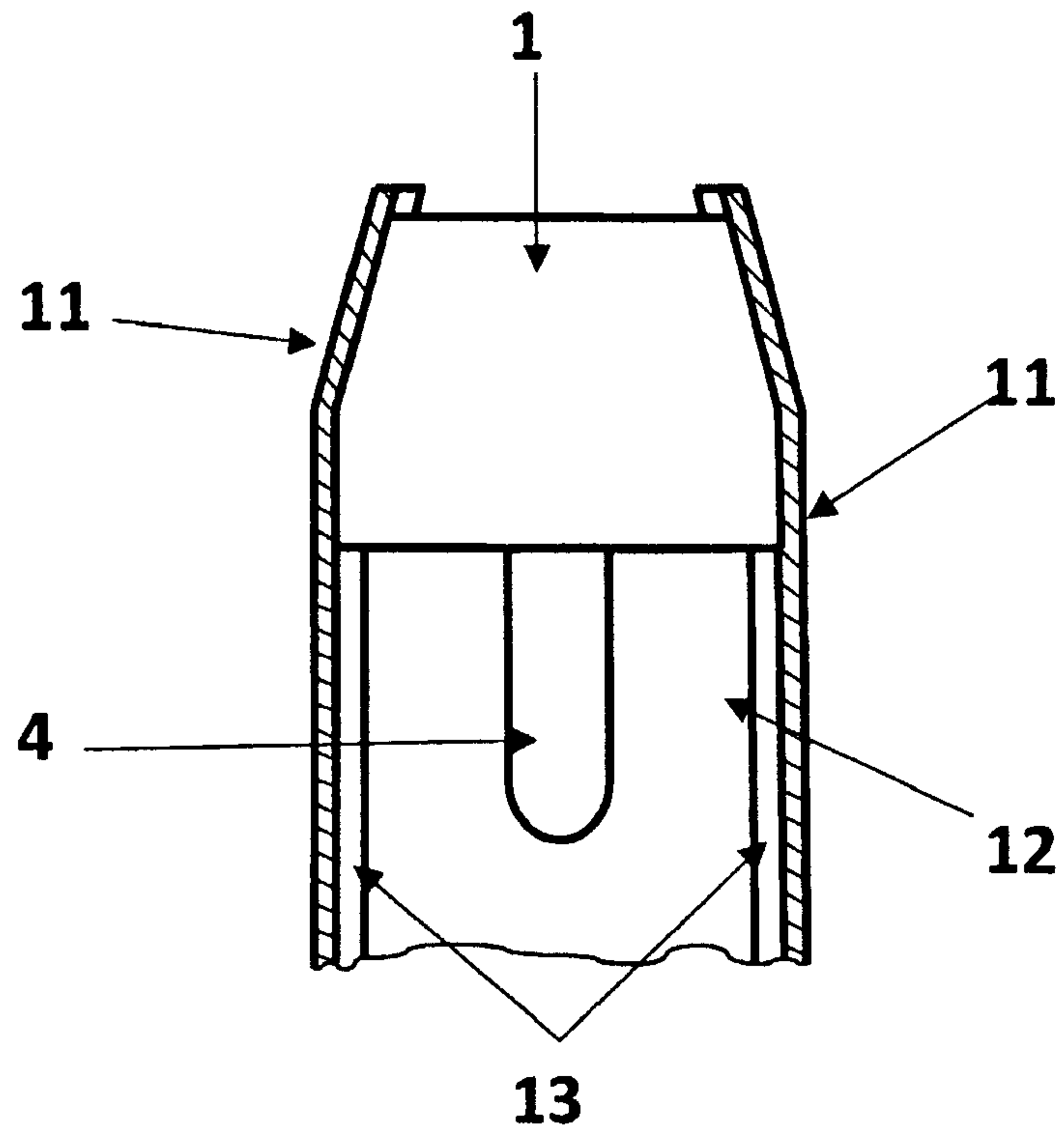
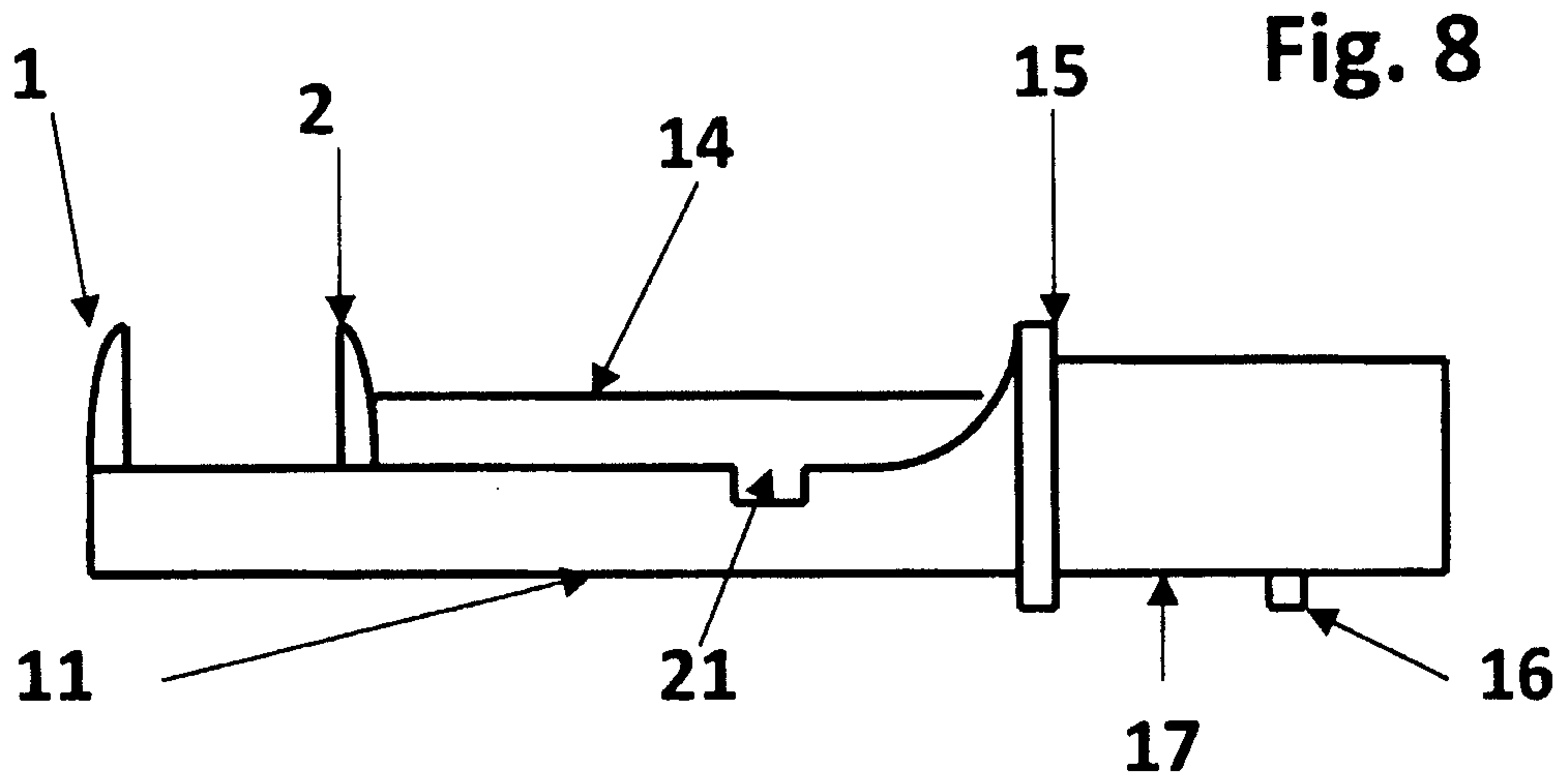
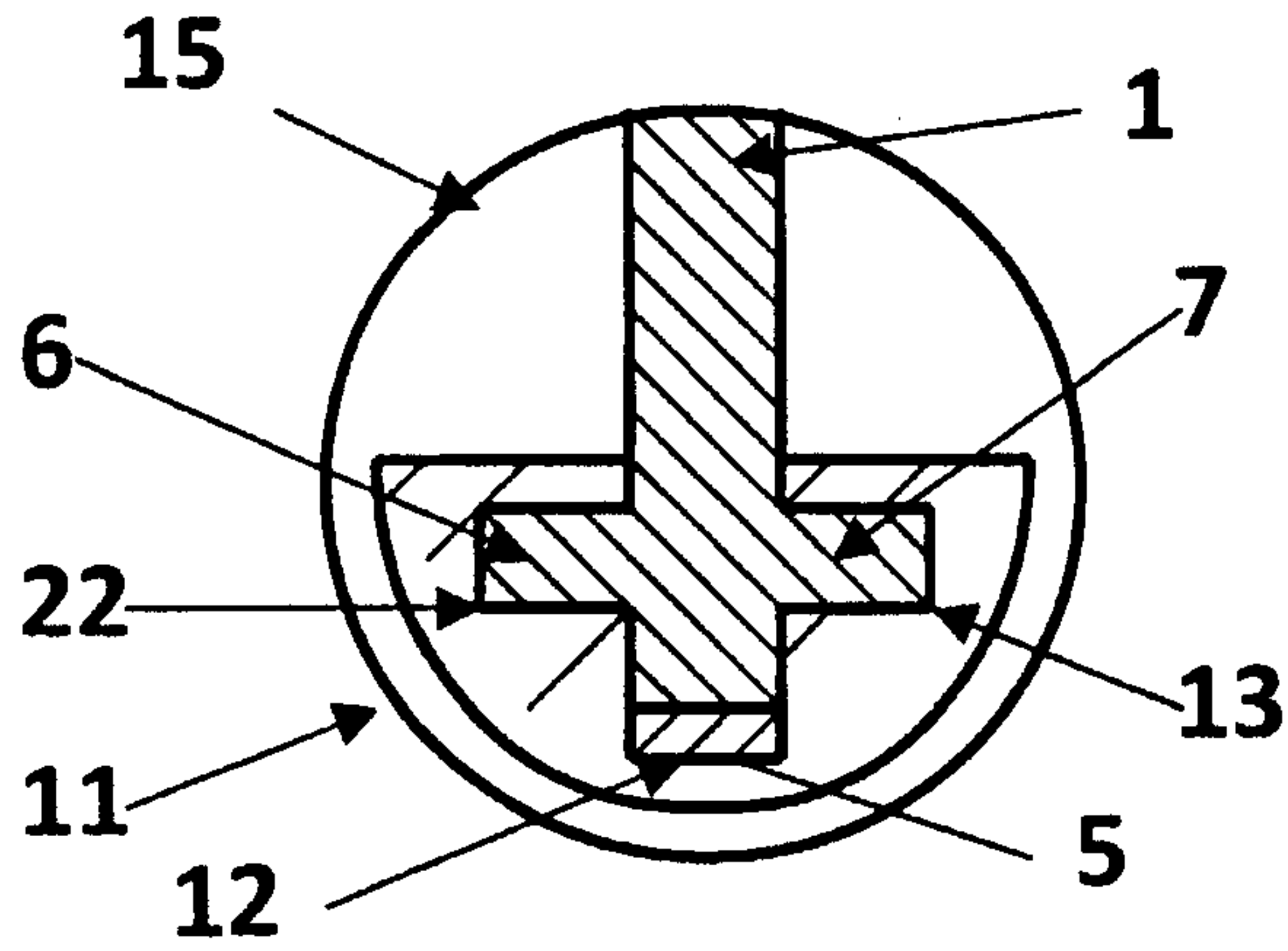


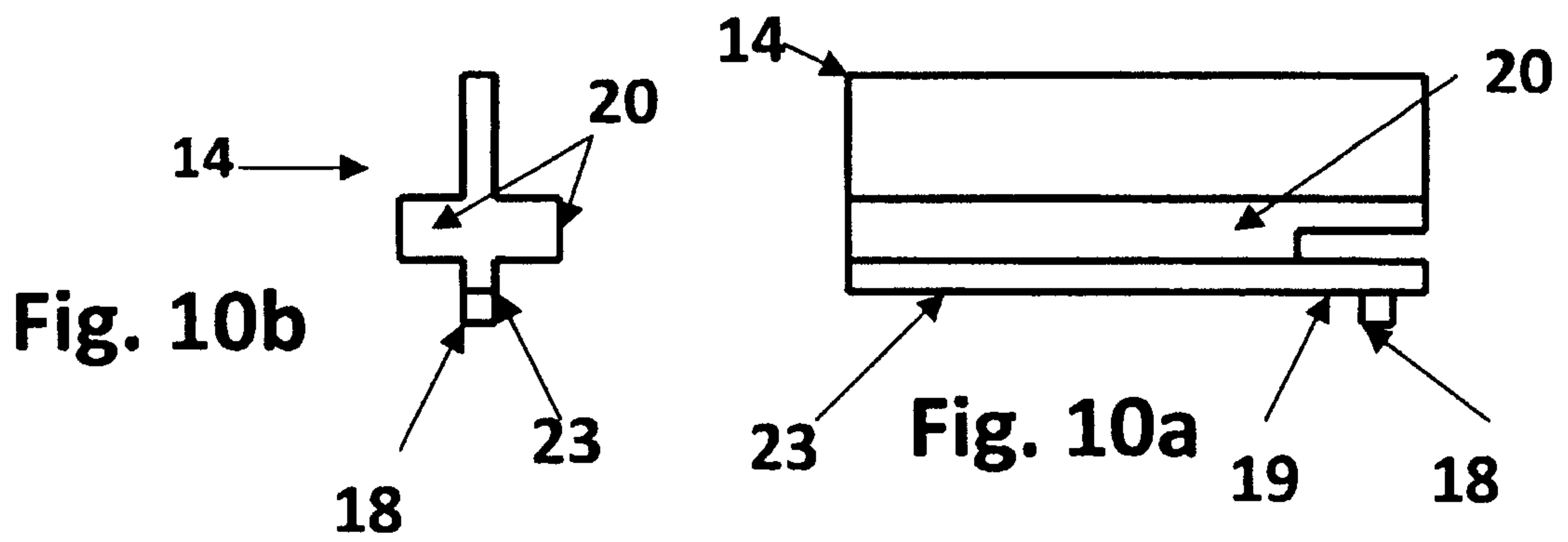
Fig. 7



**Fig. 8**



**Fig. 9**



**Fig. 10b**

**Fig. 10a**

