

[54] CORNER BUCKET

[75] Inventor: John M. Fuller, Winchester, Va.

[73] Assignee: Rubbermaid Incorporated, Wooster, Ohio

[\*\*] Term: 14 Years

[21] Appl. No.: 731,191

[22] Filed: May 6, 1985

[52] U.S. Cl. .... D30/13; D32/53

[58] Field of Search ..... D32/53, 53.1; D30/13; 119/51 R, 65, 72; 15/264; 220/95, DIG. 13

[56] References Cited

U.S. PATENT DOCUMENTS

- D. 136,896 12/1943 Woodward ..... D32/53
- D. 190,532 6/1961 Heimsoth ..... D30/13

OTHER PUBLICATIONS

1982 Catalog Fortiflex, published 1982 by Fortiflex Inc., P. O. Box 4523, San Juan, Puerto Rico 00936.  
 Carnation Catalog, published date unknown by Carna-

tion Company Milling Division, 5045 Wilshire Blvd., Los Angeles, CA 90036.  
 Catalog Farnam Companies, Inc., P. O. Box 12028, Omaha, NE 68112, publication unknown.  
 Catalog entitled "Stable Equipment", published date unknown by Dan's Saddlery, 65 Mahan St., West Babylon, NY 11704.

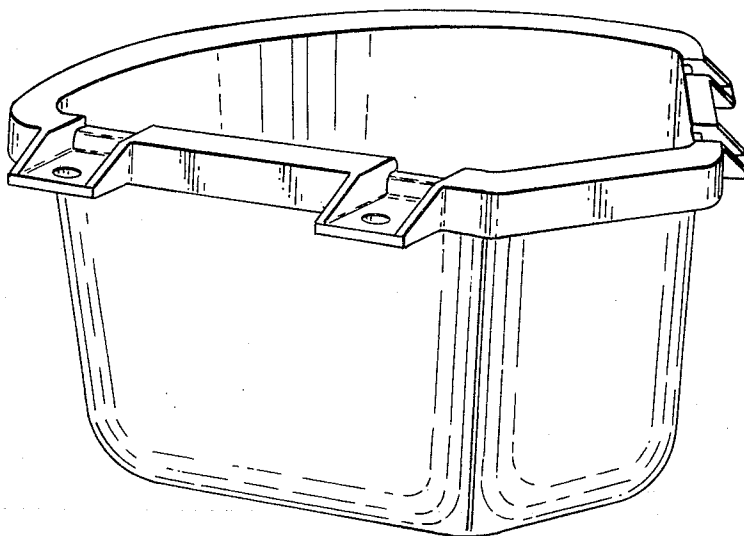
Primary Examiner—Catherine E. Kemper  
 Attorney, Agent, or Firm—Richard O'Planick

[57] CLAIM

The ornamental design for a corner bucket, as shown and described.

DESCRIPTION

FIG. 1 is a rear perspective view of a corner bucket, showing my new design;  
 FIG. 2 is a top plan view thereof;  
 FIG. 3 is a rear elevational view thereof;  
 FIG. 4 is a bottom plan view thereof;  
 FIG. 5 is a front elevational view thereof;  
 FIG. 6 is a side elevational view, the opposite side being a mirror image thereof.



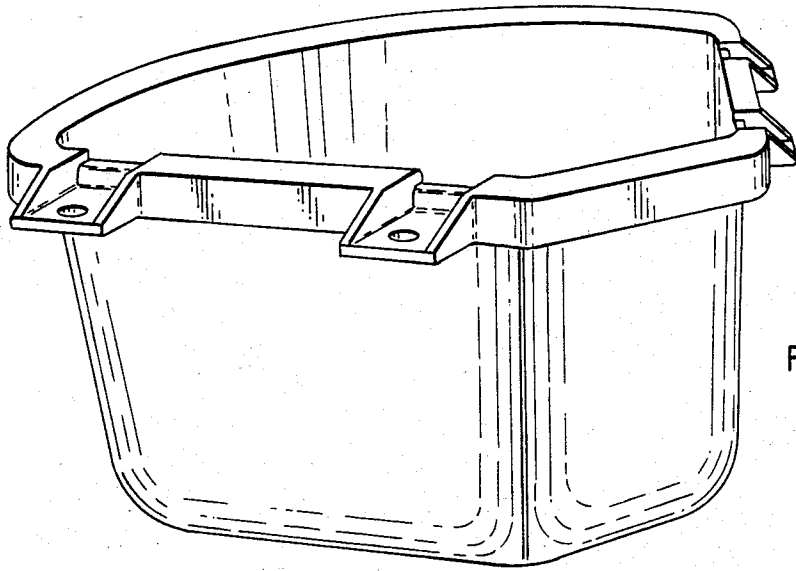


FIG. 1

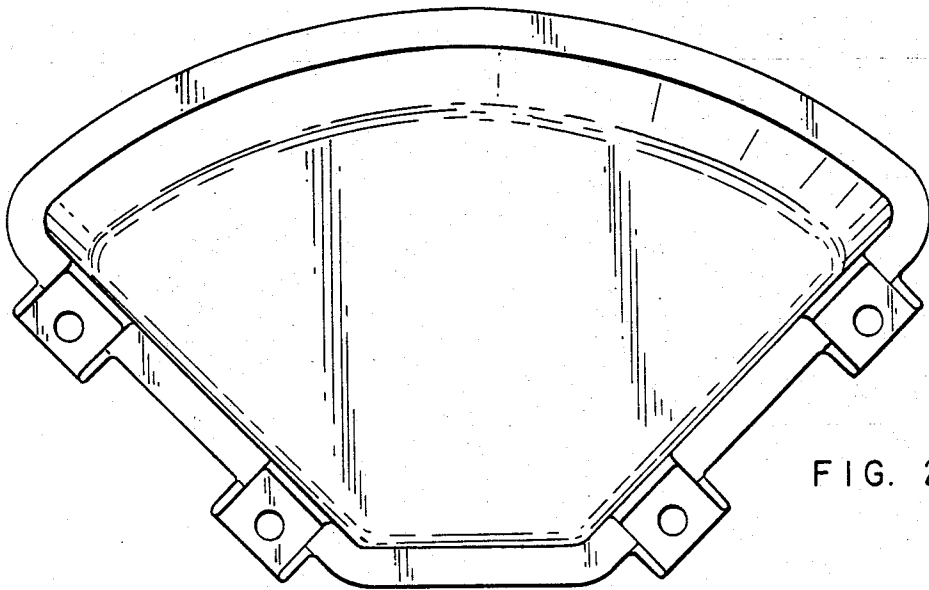


FIG. 2

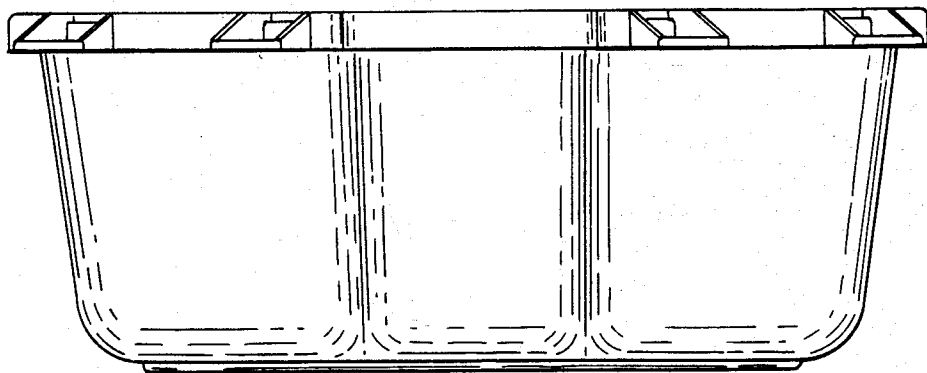


FIG. 3

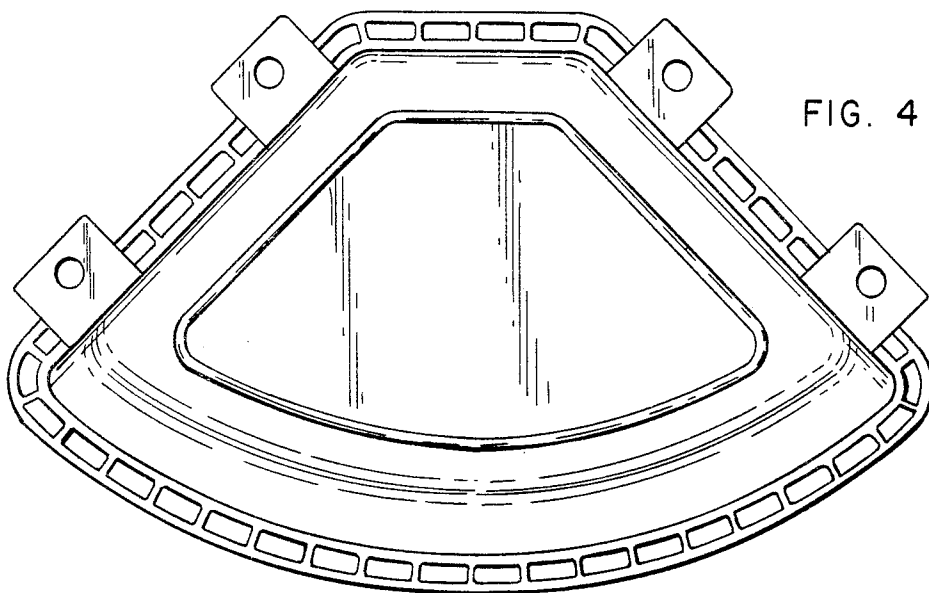


FIG. 4

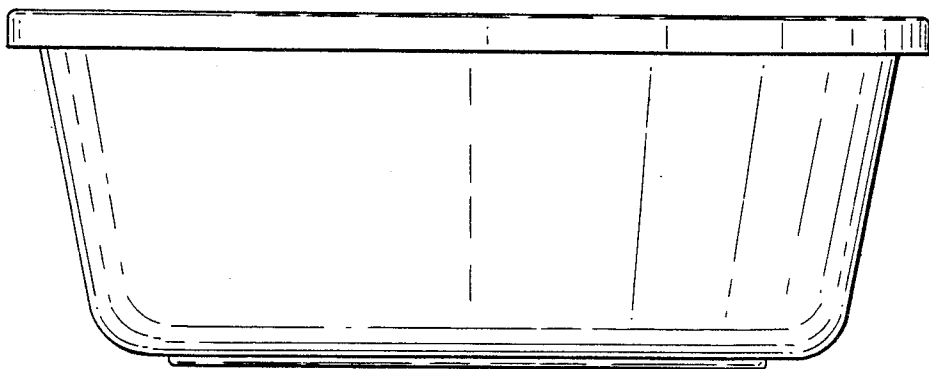


FIG. 5

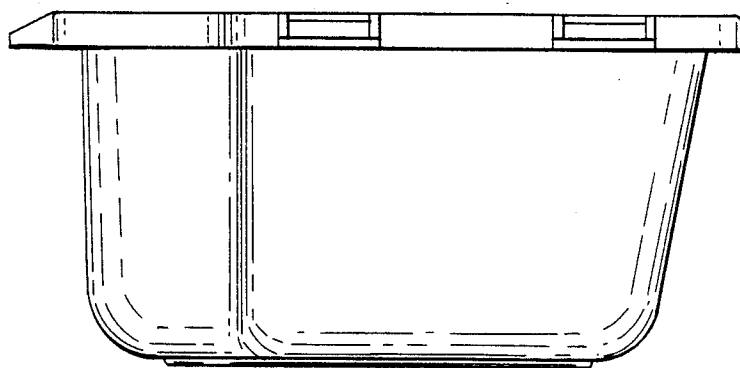


FIG. 6