



US00D628428S

(12) **United States Design Patent**
Bond

(10) **Patent No.:** **US D628,428 S**

(45) **Date of Patent:** **** Dec. 7, 2010**

(54) **HOLLYWOOD KETTLE POPCORN MAKER**

(76) Inventor: **Gregg Bond**, 313 El Camino Dr.,
Beverly Hills, CA (US) 90212

(**) Term: **14 Years**

(21) Appl. No.: **29/316,946**

(22) Filed: **Nov. 13, 2009**

(51) **LOC (9) Cl.** **31-00**

(52) **U.S. Cl.** **D7/325**

(58) **Field of Classification Search** D7/323,
D7/325, 354–361, 500, 606; D34/14; D99/37;
34/588; 99/323.4–323.9, 442; 219/433,
219/441, 728–731, 735, 745; 220/252; 426/10–107,
426/241–243

See application file for complete search history.

(56) **References Cited**

U.S. PATENT DOCUMENTS

2,134,682	A	*	11/1938	Burch	99/323.7
D163,497	S	*	5/1951	Waas	D7/325
D177,456	S	*	4/1956	Altemiller	D7/325
2,972,292	A	*	2/1961	Waas et al.	99/323.8
3,311,992	A	*	4/1967	Seley	34/588

D279,069	S	*	6/1985	Goodlaxson	D7/325
5,419,238	A	*	5/1995	Pinone	99/323.6
D469,234	S	*	1/2003	Bond et al.	D34/14
D551,016	S	*	9/2007	Bond	D7/325
D552,405	S	*	10/2007	Bond	D7/325

* cited by examiner

Primary Examiner—Ricky Pham

(74) *Attorney, Agent, or Firm*—Blakely, Sokoloff, Taylor & Zafman

(57) **CLAIM**

The ornamental design for a Hollywood kettle popcorn maker, as shown.

DESCRIPTION

FIG. 1 is a perspective view of the popcorn maker

FIG. 2 is a front view of the popcorn maker

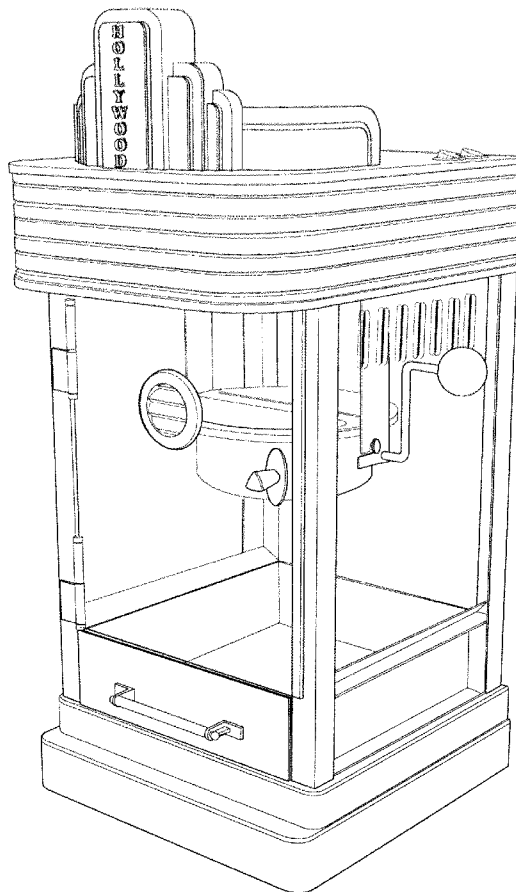
FIG. 3 is a rear view of the popcorn maker.

FIG. 4 is a right side view of the popcorn maker.

FIG. 5 is a left side view of the popcorn maker; and,

FIG. 6 is a top view of the popcorn maker.

1 Claim, 6 Drawing Sheets



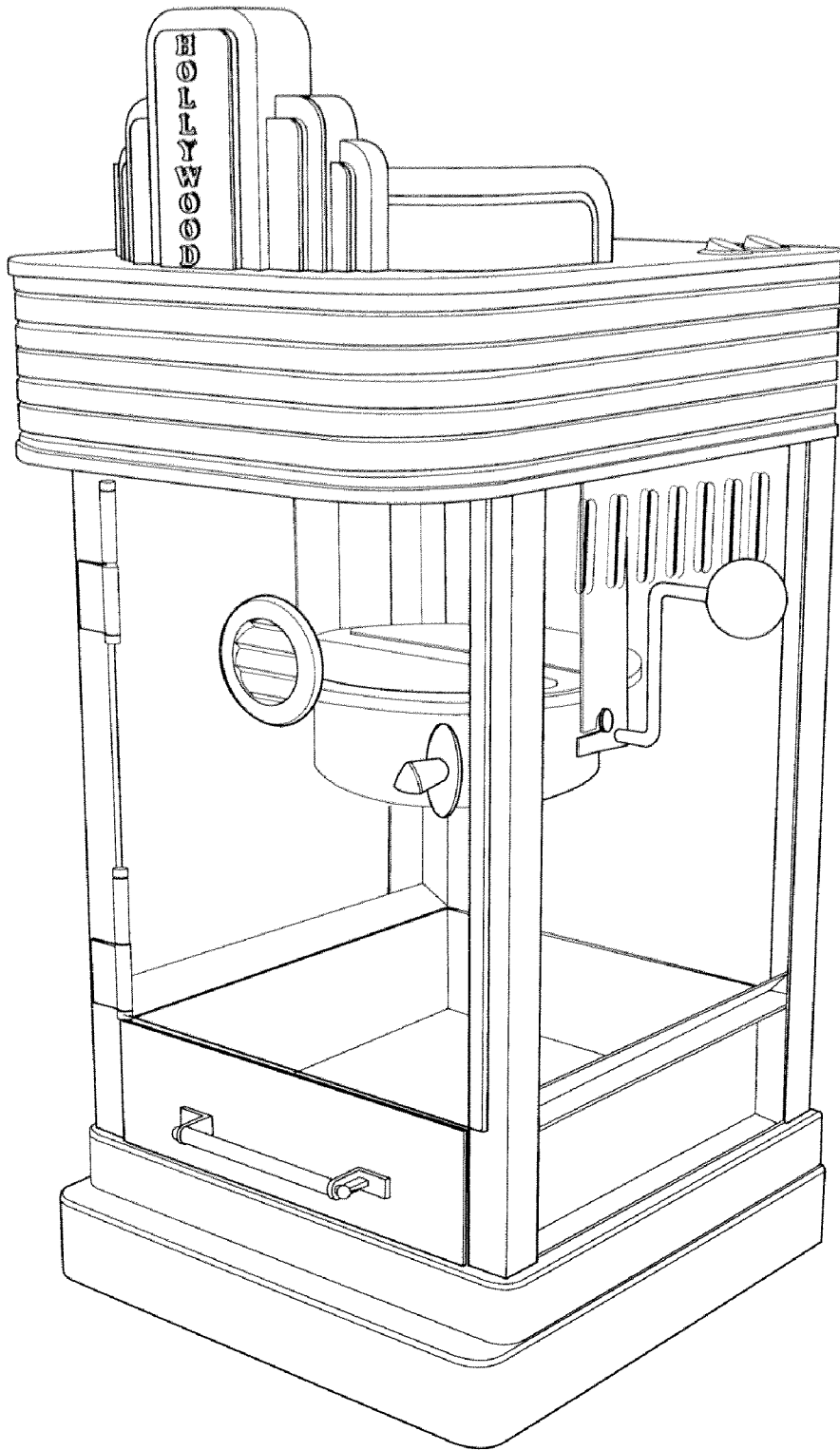


FIG. 1

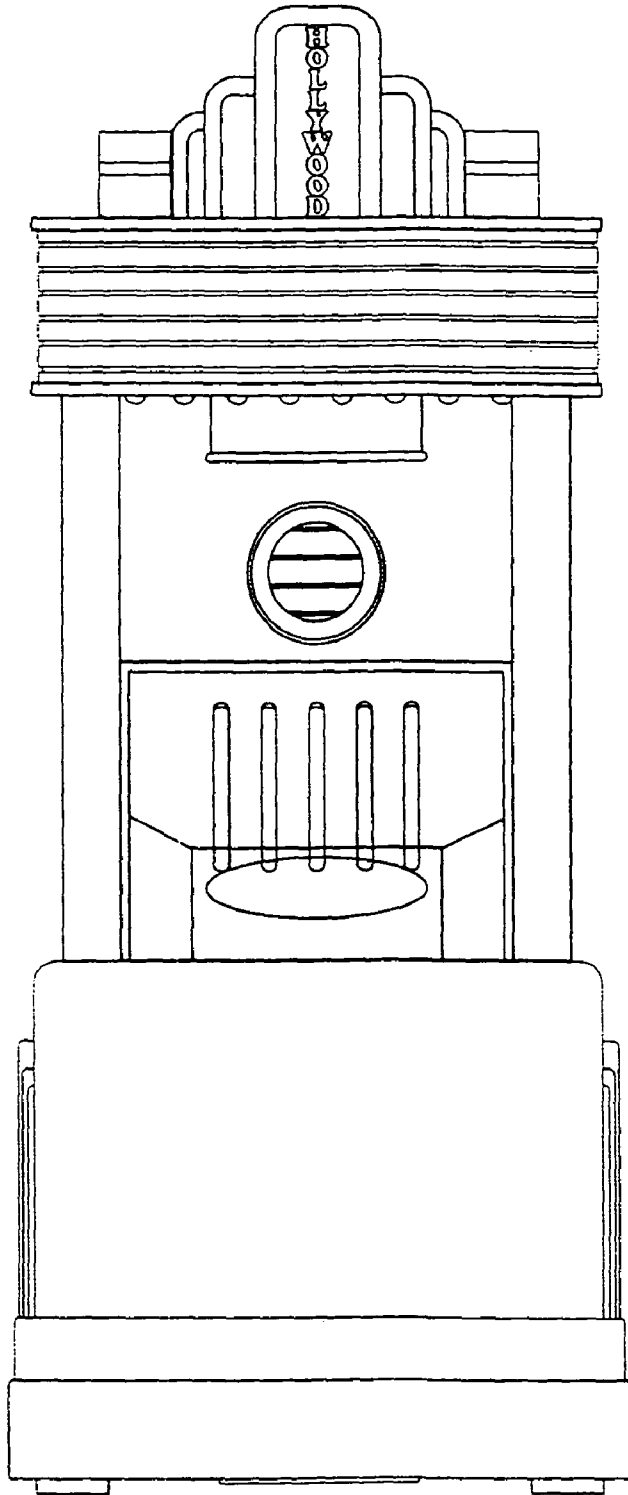


FIG. 2

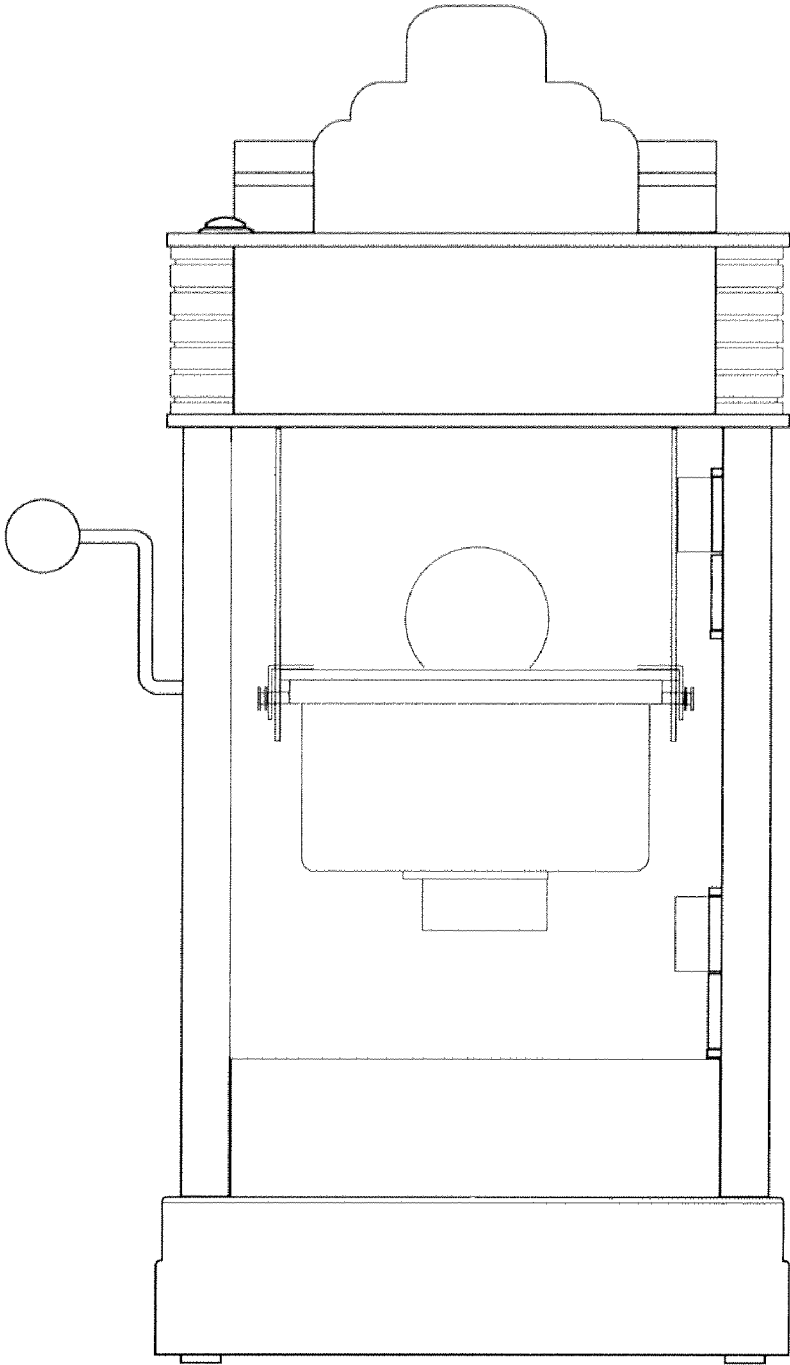


FIG. 3

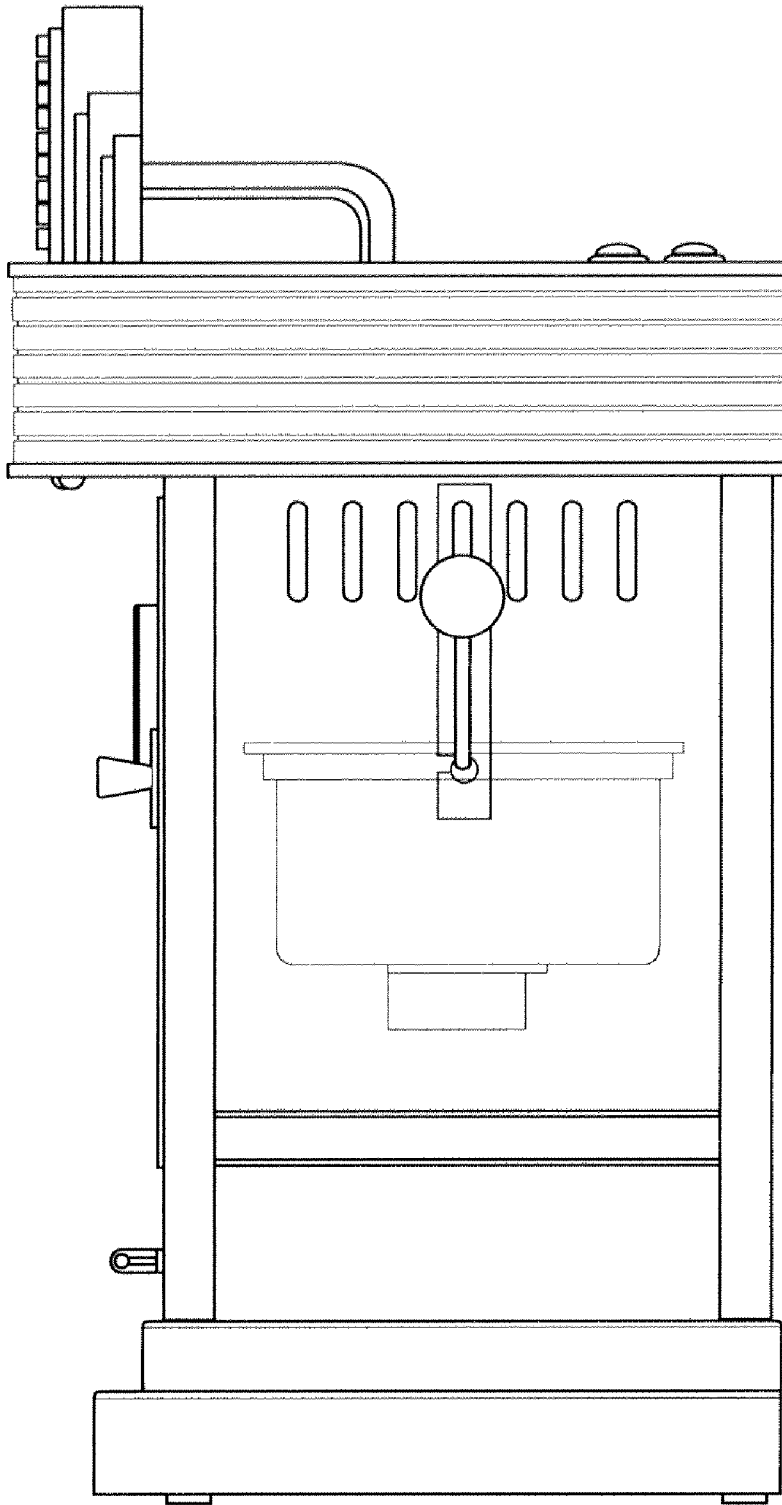


FIG. 4

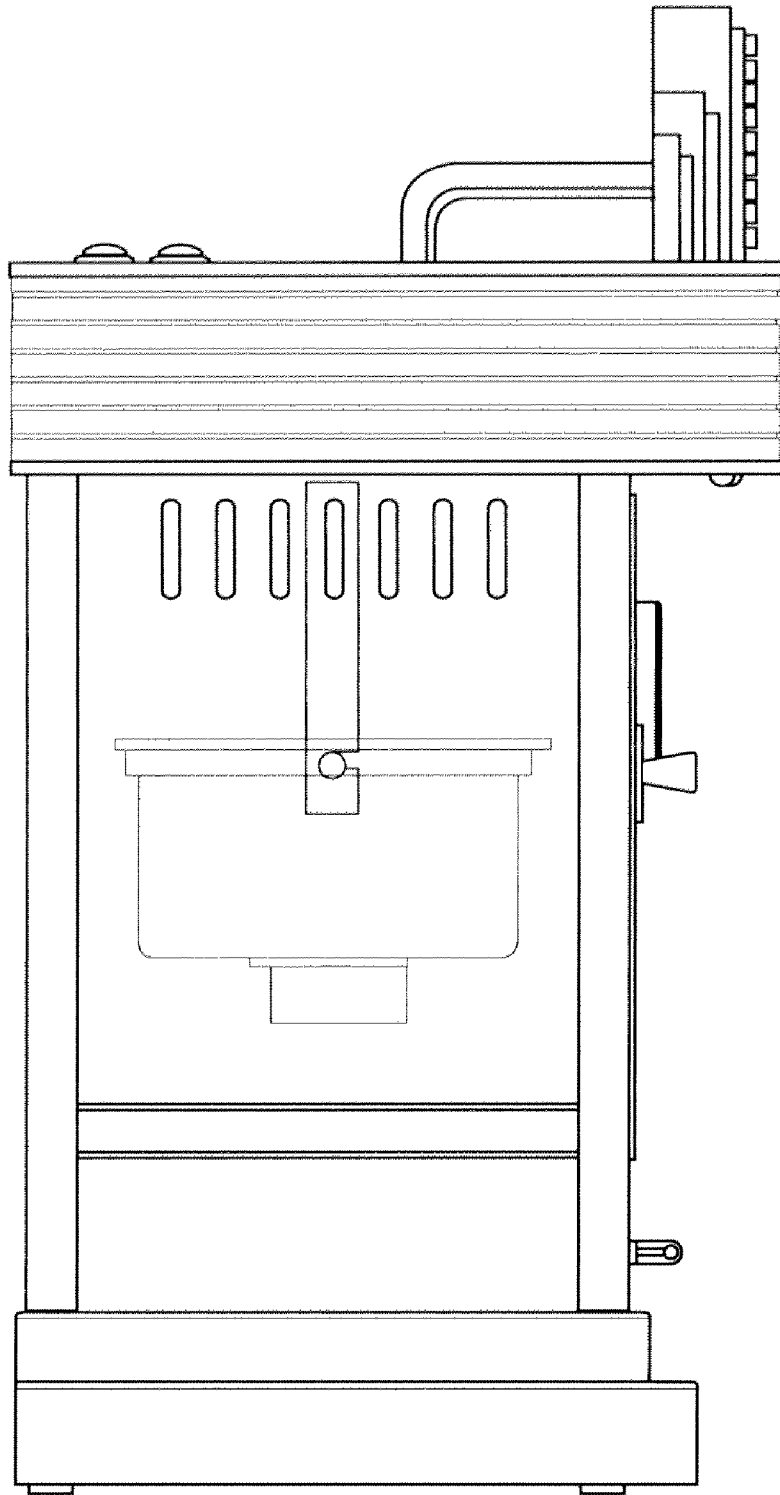


FIG. 5

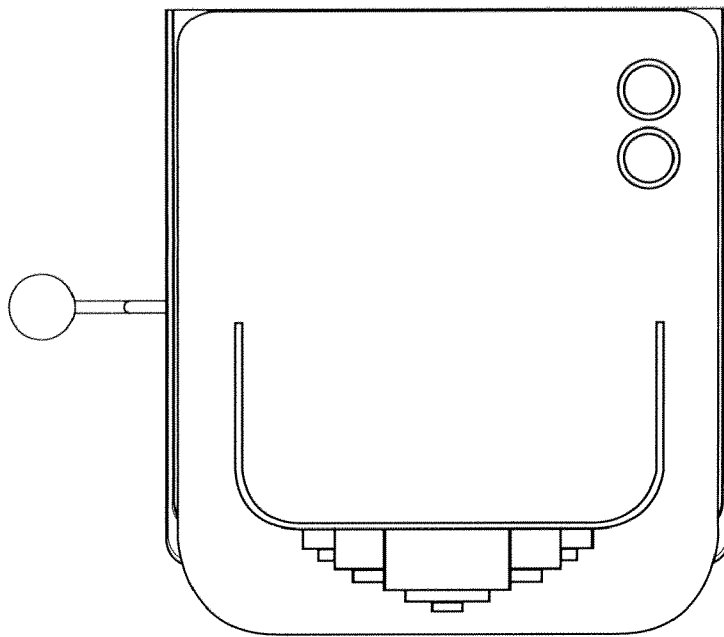


FIG. 6

UNITED STATES PATENT AND TRADEMARK OFFICE
CERTIFICATE OF CORRECTION

PATENT NO. : D628,428 S
APPLICATION NO. : 29/316946
DATED : December 7, 2010
INVENTOR(S) : Bond

Page 1 of 9

It is certified that error appears in the above-identified patent and that said Letters Patent is hereby corrected as shown below:

Delete the title page and substitute therefore the attached title page showing the corrected number of Drawing Sheets in patent.

Delete Drawing Sheets 1-6 and substitute therefore the attached Drawing Sheets 1-7.

Signed and Sealed this
Nineteenth Day of April, 2011

A handwritten signature in black ink that reads "David J. Kappos". The signature is written in a cursive style with a large initial "D".

David J. Kappos
Director of the United States Patent and Trademark Office

(12) **United States Design Patent** (10) **Patent No.:** **US D628,428 S**
Bond (45) **Date of Patent:** **** Dec. 7, 2010**

(54) **HOLLYWOOD KETTLE POPCORN MAKER**

(76) Inventor: **Gregg Bond, 313 El Camino Dr., Beverly Hills, CA (US) 90212**

(***) Term: **14 Years**

(21) Appl. No.: **29/316,946**

(22) Filed: **Nov. 13, 2009**

(51) **LOC (9) Cl.** **31-00**

(52) **U.S. Cl.** **D7/325**

(58) **Field of Classification Search** D7/323, D7/325, 354-361, 500, 606; D34/14; D99/37; 34/588; 99/323.4-323.9, 442; 219/433, 219/441, 728-731, 735, 745; 220/252; 426/10-107, 426/241-243

See application file for complete search history.

(56) **References Cited**

U.S. PATENT DOCUMENTS

2,134,682 A * 11/1938 Burch 99/323.7
 D163,497 S * 5/1951 Waas D7/325
 D177,456 S * 4/1956 Altemiller D7/325
 2,972,292 A * 2/1961 Waas et al. 99/323.8
 3,311,992 A * 4/1967 Seley 34/588

D279,069 S * 6/1985 Goodlaxson D7/325
 5,419,238 A * 5/1995 Pinone 99/323.6
 D469,234 S * 1/2003 Bond et al. D34/14
 D551,016 S * 9/2007 Bond D7/325
 D552,405 S * 10/2007 Bond D7/325

* cited by examiner

Primary Examiner—Ricky Pham

(74) *Attorney, Agent, or Firm*—Blakely, Sokoloff, Taylor & Zafman

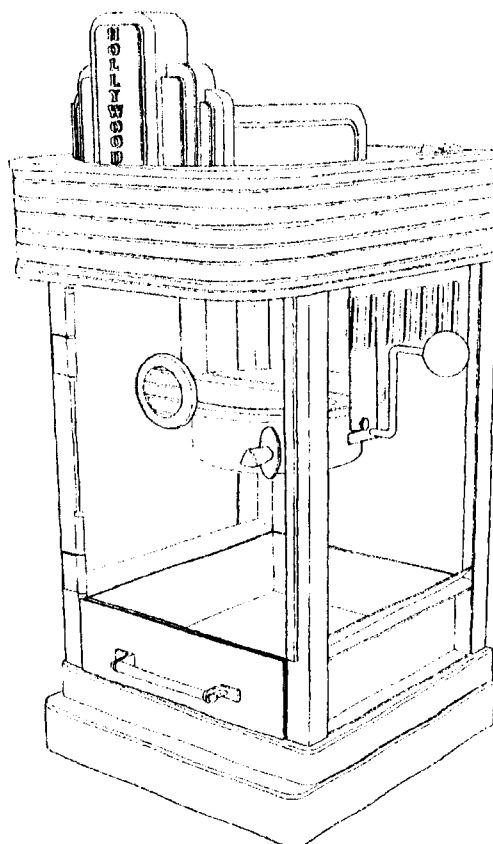
(57) **CLAIM**

The ornamental design for a Hollywood kettle popcorn maker, as shown.

DESCRIPTION

FIG. 1 is a perspective view of the popcorn maker
 FIG. 2 is a front view of the popcorn maker
 FIG. 3 is a rear view of the popcorn maker.
 FIG. 4 is a right side view of the popcorn maker.
 FIG. 5 is a left side view of the popcorn maker; and,
 FIG. 6 is a top view of the popcorn maker.

1 Claim, 7 Drawing Sheets



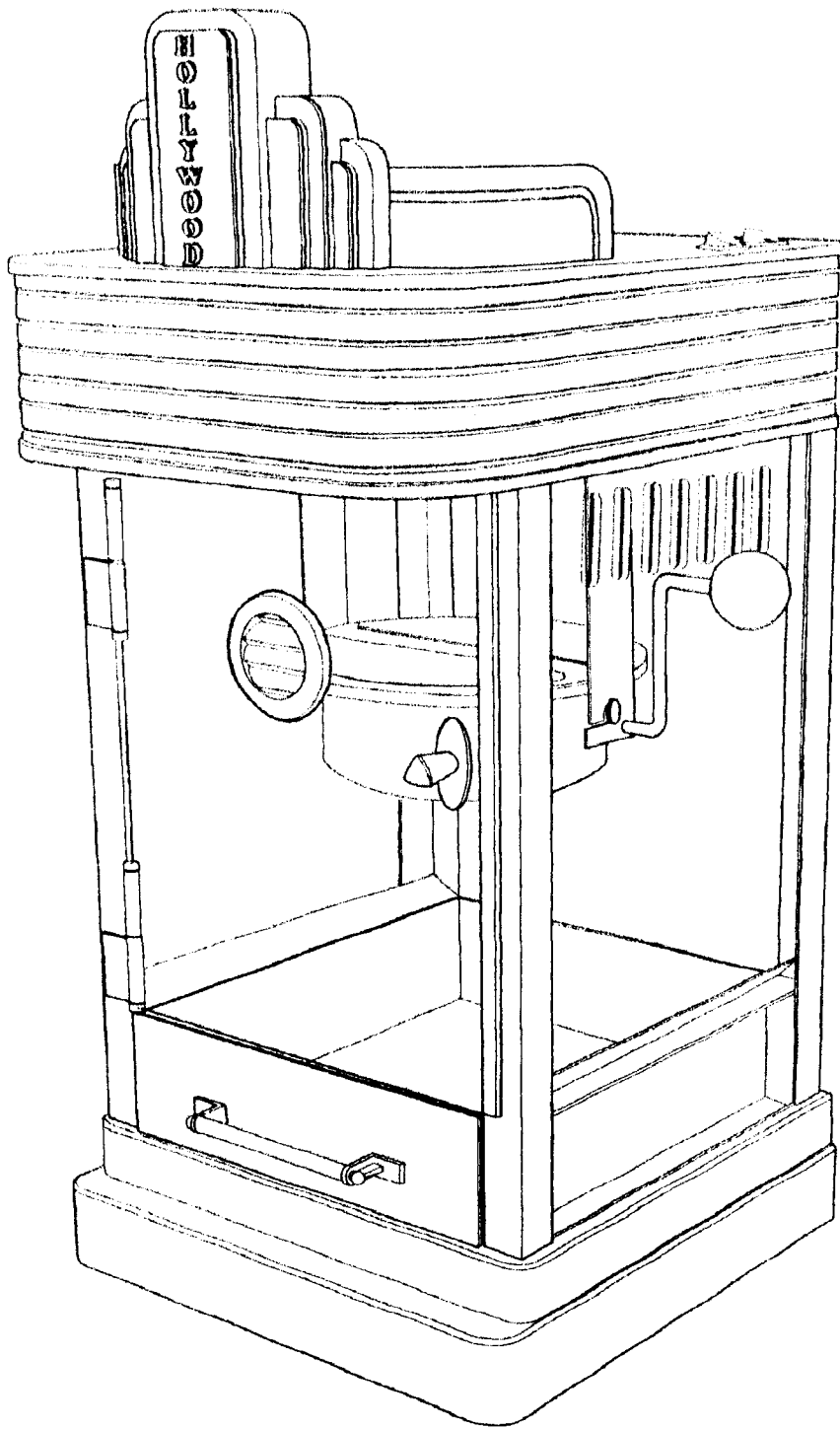


FIG. 1

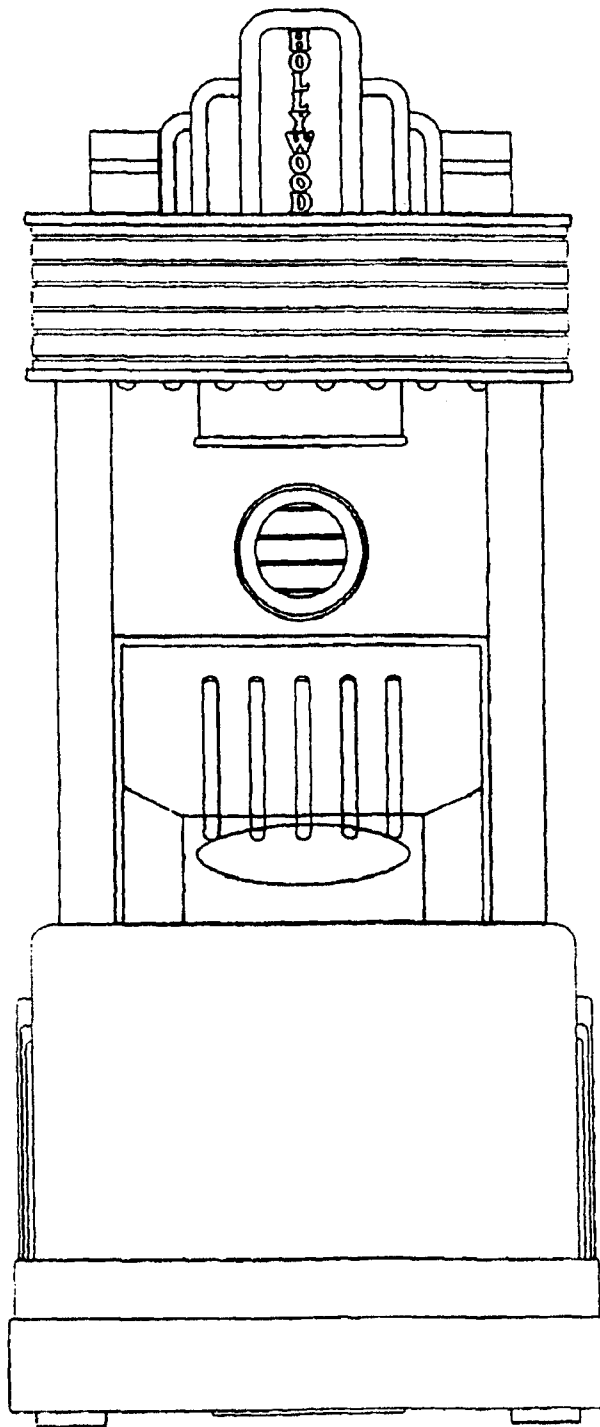


FIG. 2

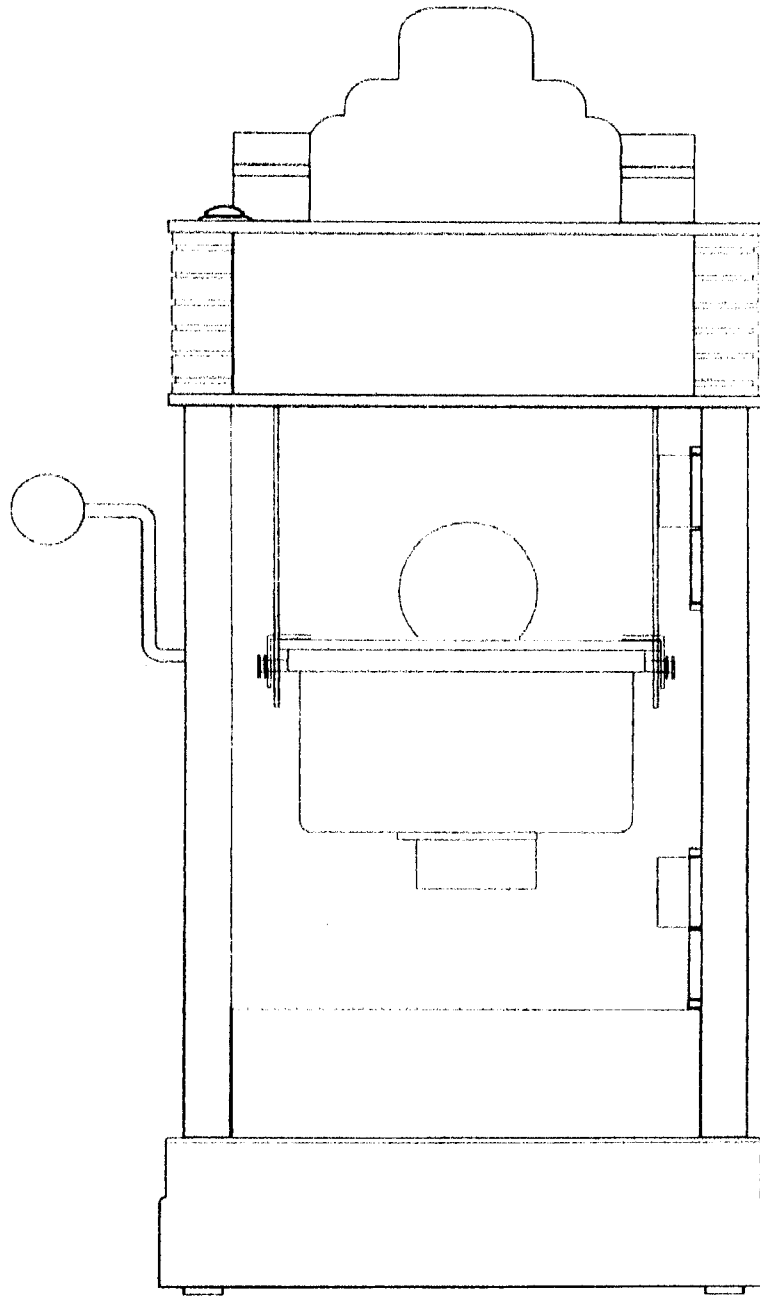


FIG. 3

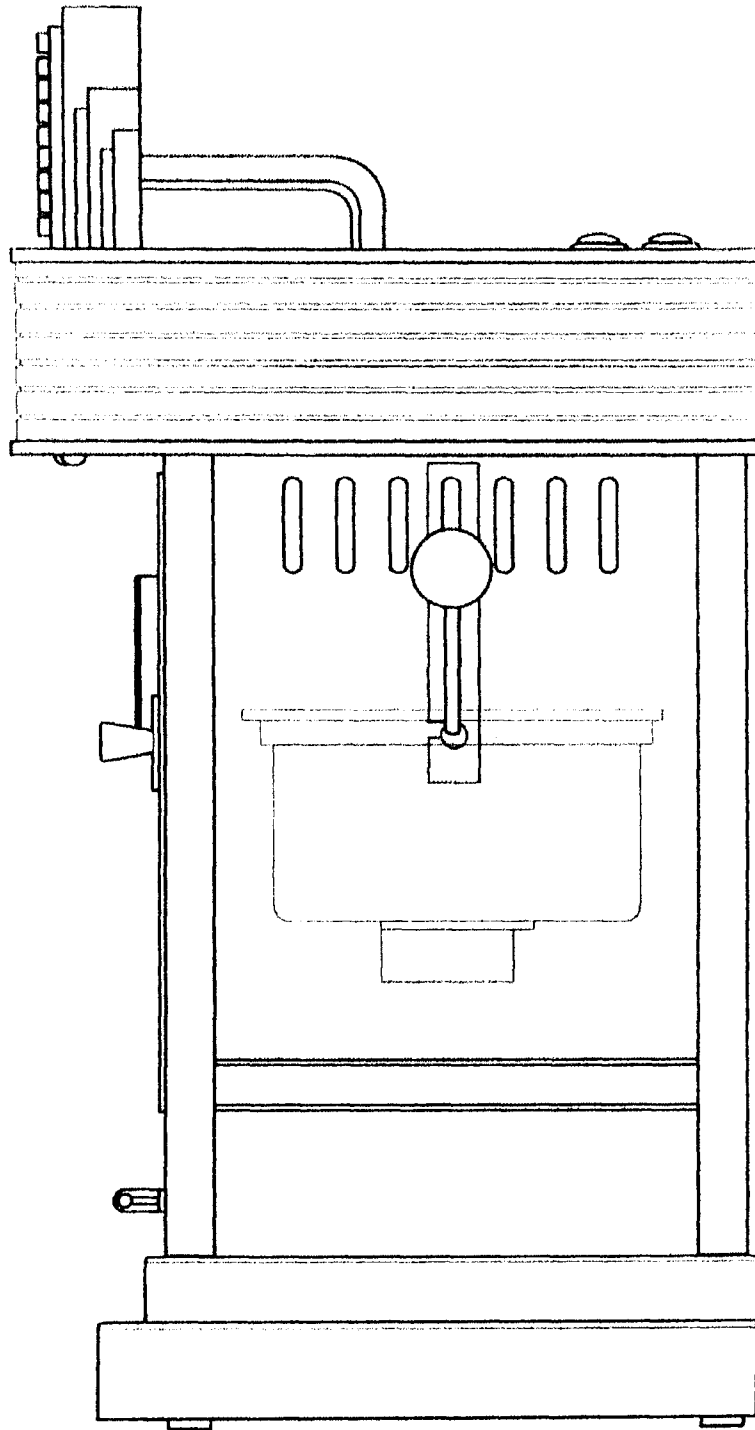


FIG. 4

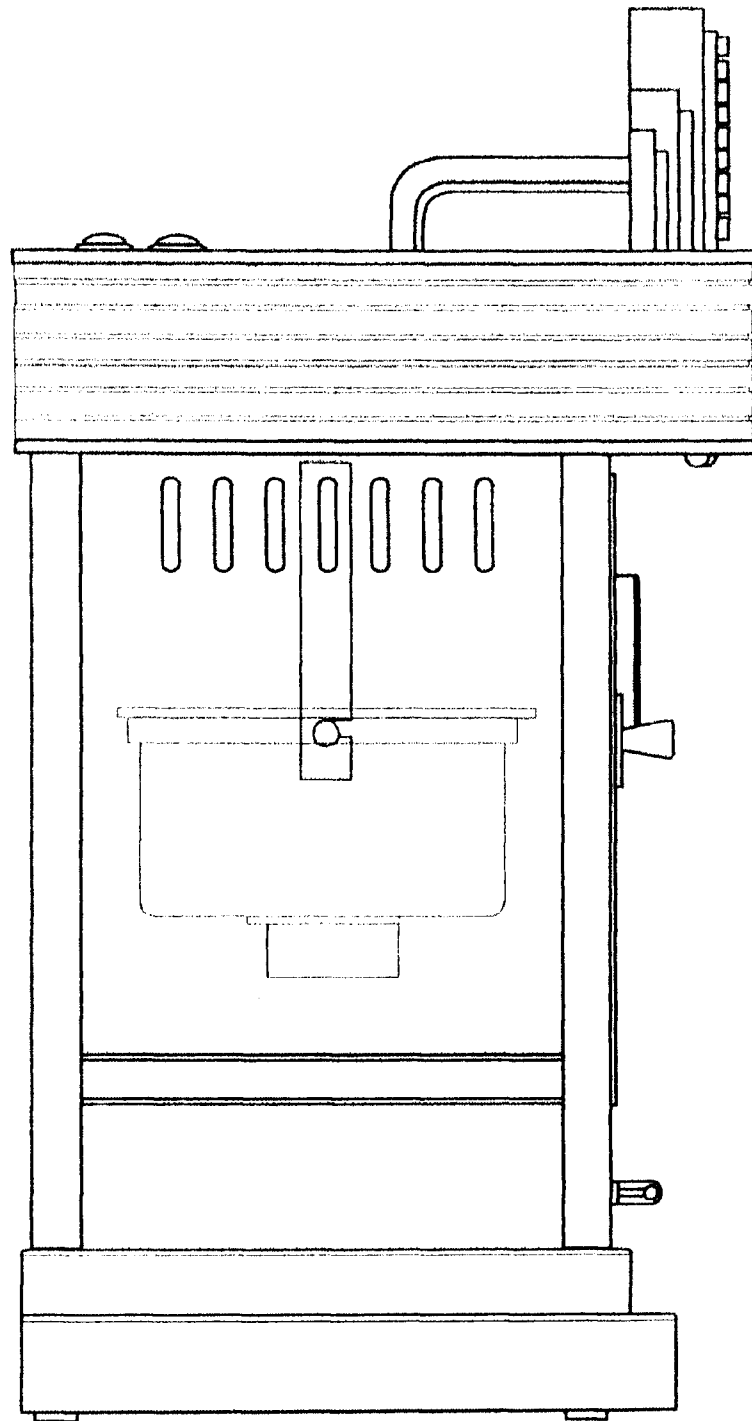


FIG. 5

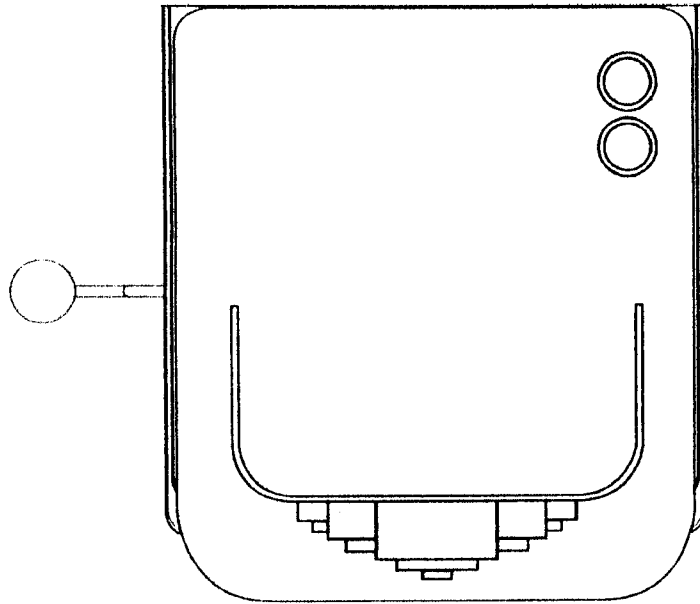


FIG. 6

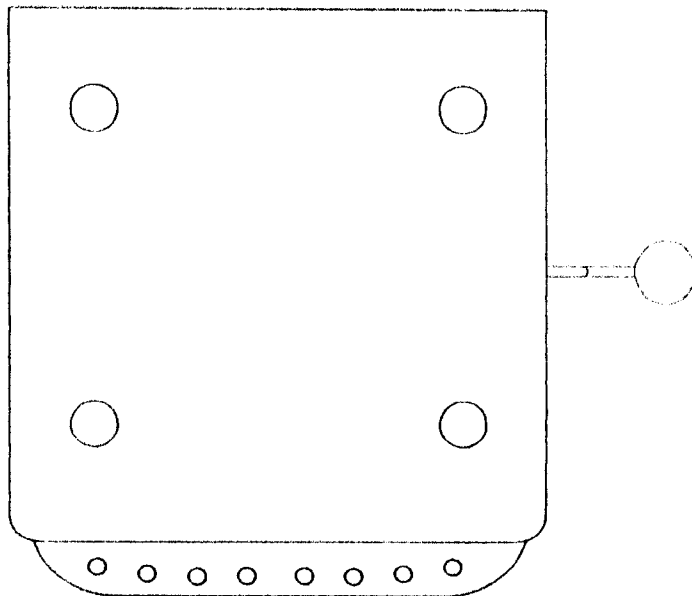


FIG. 7

UNITED STATES PATENT AND TRADEMARK OFFICE
Certificate

Patent No. D628,428 S

Patented: December 7, 2010

On petition requesting issuance of a certificate for correction of inventorship pursuant to 35 U.S.C. 256, it has been found that the above identified patent, through error and without any deceptive intent, improperly sets forth the inventorship.

Accordingly, it is hereby certified that the correct inventorship of this patent is: Gregg Bond, Beverly Hills, CA (US); and Edward E. Boughton III, Camarillo, CA (US).

Signed and Sealed this Seventh Day of January 2014.

CARON VEYNAR
Supervisory Patent Examiner
Art Unit 2913
Technology Center 2900