

(19) World Intellectual Property Organization
International Bureau



(43) International Publication Date
3 March 2005 (03.03.2005)

PCT

(10) International Publication Number
WO 2005/019873 A3

(51) International Patent Classification⁷: H01J 3/14,
G01J 3/50, H04N 9/07

(21) International Application Number:
PCT/US2004/026844

(22) International Filing Date: 18 August 2004 (18.08.2004)

(25) Filing Language: English

(26) Publication Language: English

(30) Priority Data:
60/495,906 18 August 2003 (18.08.2003) US

(71) Applicant (for all designated States except US): GENTEX
CORPORATION [US/US]; 600 North Centennial Street,
Zeeland, MI 49464 (US).

(72) Inventors; and

(75) Inventors/Applicants (for US only): STAM, Joseph, S.
[US/US]; 345 South Lakeshore Drive, Holland, MI 49424
(US). BECHTEL, Jon, H. [US/US]; 136 Sunrise Drive,
Holland, MI 49423 (US).

(74) Agent: DOLCE, Marcus, P.; Price, Heneveld, Cooper,
DeWitt & Litton, LLC, 695 Kenmoor, S.E., P.O. Box 2567,
Grand Rapids, MI 49501-2567 (US).

(81) Designated States (unless otherwise indicated, for every
kind of national protection available): AE, AG, AL, AM,

AT, AU, AZ, BA, BB, BG, BR, BW, BY, BZ, CA, CH, CN,
CO, CR, CU, CZ, DE, DK, DM, DZ, EC, EE, EG, ES, FI,
GB, GD, GE, GH, GM, HR, HU, ID, IL, IN, IS, JP, KE,
KG, KP, KR, KZ, LC, LK, LR, LS, LT, LU, LV, MA, MD,
MG, MK, MN, MW, MX, MZ, NA, NI, NO, NZ, OM, PG,
PH, PL, PT, RO, RU, SC, SD, SE, SG, SK, SL, SY, TJ, TM,
TN, TR, TT, TZ, UA, UG, US, UZ, VC, VN, YU, ZA, ZM,
ZW.

(84) Designated States (unless otherwise indicated, for every
kind of regional protection available): ARIPO (BW, GH,
GM, KE, LS, MW, MZ, NA, SD, SL, SZ, TZ, UG, ZM,
ZW), Eurasian (AM, AZ, BY, KG, KZ, MD, RU, TJ, TM),
European (AT, BE, BG, CH, CY, CZ, DE, DK, EE, ES, FI,
FR, GB, GR, HU, IE, IT, LU, MC, NL, PL, PT, RO, SE,
SI, SK, TR), OAPI (BF, BJ, CF, CG, CI, CM, GA, GN,
GQ, GW, ML, MR, NE, SN, TD, TG).

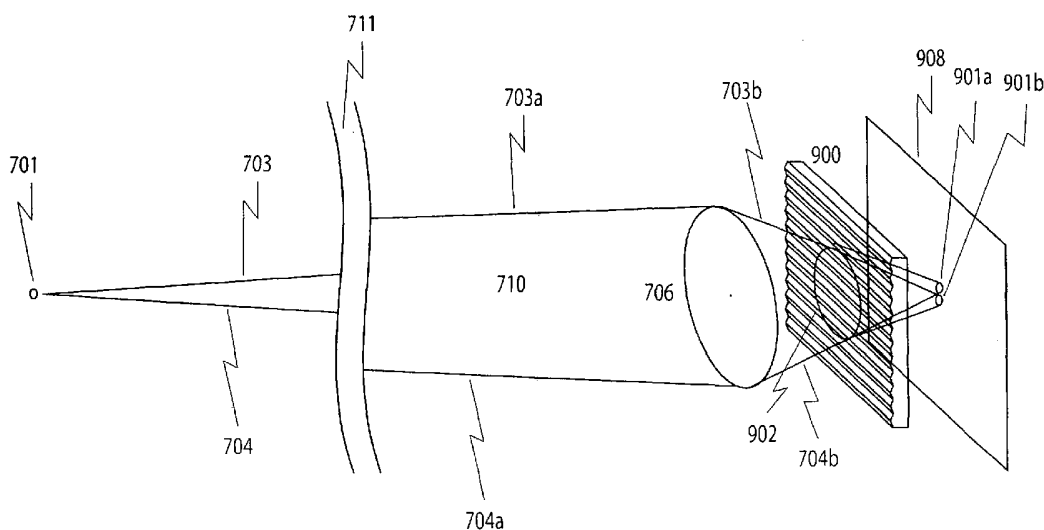
Published:

- with international search report
- before the expiration of the time limit for amending the claims and to be republished in the event of receipt of amendments

(88) Date of publication of the international search report:
9 March 2006

For two-letter codes and other abbreviations, refer to the "Guidance Notes on Codes and Abbreviations" appearing at the beginning of each regular issue of the PCT Gazette.

(54) Title: OPTICAL ELEMENTS RELATED MANUFACTURING METHODS AND ASSEMBLIES INCORPORATING OPTICAL ELEMENTS



(57) Abstract: A vehicle imaging and detection system. The system includes a lens system (706) that splits the light into multiple images and a spectral filter (900) that filters the respected images. The images are subsequently detected by a detector (908) having an array of pixels.

WO 2005/019873 A3

INTERNATIONAL SEARCH REPORT

International application No.
PCT/US04/26844

A. CLASSIFICATION OF SUBJECT MATTER
 IPC(7) : H01J 3/14, G01J 3/50, H04N 9/07
 US CL : 250/216, 250/226, 348/267
 According to International Patent Classification (IPC) or to both national classification and IPC

B. FIELDS SEARCHED
 Minimum documentation searched (classification system followed by classification symbols)
 U.S. : 250/216, 250/226, 348/267

Documentation searched other than minimum documentation to the extent that such documents are included in the fields searched

Electronic data base consulted during the international search (name of data base and, where practicable, search terms used)
 EAST: USPGPUB, USPAT, USOCR, EPO, JPO, DERWENT, IMB_TDB

C. DOCUMENTS CONSIDERED TO BE RELEVANT

Category *	Citation of document, with indication, where appropriate, of the relevant passages	Relevant to claim No.
X --- X, Y	US 2003/0173503 A (TOCCI et al) 18 September 2003 (18.09.2003), fig. 1	1-10, 12-18, 20-29, 31-41, 54-64
	US 4761682 A (ASAJDA) 2 August 1988 (2.07.1988), fig. 7	2-10, 14, 21-29, 32-52, 55-64

Further documents are listed in the continuation of Box C. See patent family annex.

* Special categories of cited documents:	"T" later document published after the international filing date or priority date and not in conflict with the application but cited to understand the principle or theory underlying the invention
"A" document defining the general state of the art which is not considered to be of particular relevance	"X" document of particular relevance; the claimed invention cannot be considered novel or cannot be considered to involve an inventive step when the document is taken alone
"E" earlier application or patent published on or after the international filing date	"Y" document of particular relevance; the claimed invention cannot be considered to involve an inventive step when the document is combined with one or more other such documents, such combination being obvious to a person skilled in the art
"L" document which may throw doubts on priority claim(s) or which is cited to establish the publication date of another citation or other special reason (as specified)	"&" document member of the same patent family
"O" document referring to an oral disclosure, use, exhibition or other means	
"P" document published prior to the international filing date but later than the priority date claimed	

Date of the actual completion of the international search 01 December 2005 (01.12.2005)	Date of mailing of the international search report 04 JAN 2006
Name and mailing address of the ISA/US Mail Stop PCT, Attn: ISA/US Commissioner for Patents P.O. Box 1450 Alexandria, Virginia 22313-1450 Facsimile No. (571) 273-3201	Authorized officer <i>Georgia Epps</i> Georgia Epps Telephone No. (571) 272-2715