



US00D845733S

(12) **United States Design Patent**  
**Yajima**

(10) **Patent No.:** **US D845,733 S**

(45) **Date of Patent:** **\*\* Apr. 16, 2019**

(54) **PORTABLE BATTERY OPERATED OIL HYDRAULIC TOOL**

(71) Applicant: **Izumi Products Company,**  
Matsumoto-shi, Nagano (JP)

(72) Inventor: **Hiroyuki Yajima,** Matsumoto (JP)

(73) Assignee: **IZUMI PRODUCTS COMPANY,**  
Matsumoto-Shi, Nagano (JP)

(\*\*) Term: **15 Years**

(21) Appl. No.: **29/619,484**

(22) Filed: **Sep. 29, 2017**

(51) **LOC (11) CL.** ..... **08-05**

(52) **U.S. CL.**  
USPC ..... **D8/68; D8/61**

(58) **Field of Classification Search**  
USPC ..... D8/7, 21, 24, 25, 29, 36, 40, 60, 61, 68,  
D8/70, 85; D21/532  
CPC ..... B25B 27/10; B25B 27/026; B25B 27/146;  
B21D 37/10; B21D 39/048; B23D 29/00  
See application file for complete search history.

(56) **References Cited**

**U.S. PATENT DOCUMENTS**

3,386,298	A *	6/1968	Klingler	.....	B30B 15/00
					173/170
3,492,854	A *	2/1970	Eppler	.....	H01R 43/042
					140/113
D356,478	S *	3/1995	Heskey	.....	D8/61
D387,961	S *	12/1997	Yasui	.....	D8/68
D404,627	S *	1/1999	Hirabayashi	.....	D8/68
D408,242	S *	4/1999	Yamamoto	.....	D8/61
6,718,870	B1 *	4/2004	Frenken	.....	B25B 27/10
					100/102
7,363,799	B2 *	4/2008	Hamm	.....	B25B 25/005
					72/452.8
D593,828	S *	6/2009	Pond	.....	D8/61

7,578,159	B2 *	8/2009	Bowles	.....	B21D 39/048
					72/409.01
7,634,859	B2 *	12/2009	Amherd	.....	B23D 23/00
					30/228
7,908,963	B2 *	3/2011	Frenken	.....	B25B 27/10
					100/269.01
8,056,473	B2 *	11/2011	Frenken	.....	B21D 39/048
					100/35
D668,922	S *	10/2012	Hyma	.....	D8/61
8,316,685	B2 *	11/2012	Stucki	.....	B25B 27/10
					72/407

(Continued)

*Primary Examiner* — Darlington Ly

(74) *Attorney, Agent, or Firm* — Birch, Stewart, Kolasch & Birch, LLP

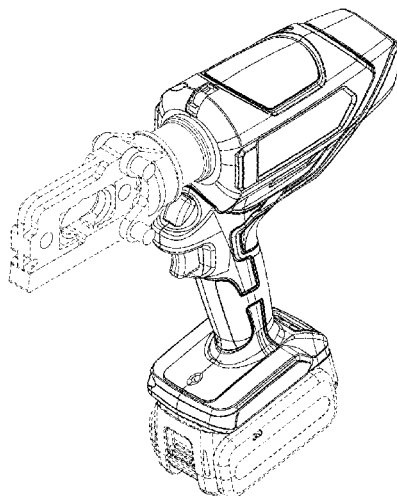
(57) **CLAIM**

The ornamental design for a portable battery operated oil hydraulic tool, as shown and described.

**DESCRIPTION**

FIG. 1 is a front elevational view of a portable battery operated oil hydraulic tool showing my new design; FIG. 2 is a top plan view thereof; FIG. 3 is a rear elevational view thereof; FIG. 4 is a bottom plan view thereof; FIG. 5 is a left side elevational view thereof; FIG. 6 is a right side elevational view thereof; FIG. 7 is a front and top perspective view, showing the left side thereof; FIG. 8 is a front and top perspective view, showing the right side thereof; FIG. 9 is a front and bottom perspective view, showing the left side thereof; and, FIG. 10 is a front and bottom perspective view, showing the right side thereof. The broken lines in the drawings illustrate environmental structure of the portable battery operated oil hydraulic tool that form no part of the claimed design.

**1 Claim, 5 Drawing Sheets**



(56)

**References Cited**

## U.S. PATENT DOCUMENTS

8,342,001	B2 *	1/2013	Zhang	.....	B23D 29/00
					29/751
D709,748	S *	7/2014	Frenken	.....	D8/61
D710,173	S *	8/2014	Frenken	.....	D8/61
8,997,543	B2 *	4/2015	Therrien	.....	B21D 37/10
					72/414
D767,959	S *	10/2016	Sokat	.....	D8/61
D767,960	S *	10/2016	Haneishi	.....	D8/61
9,484,700	B2 *	11/2016	Kehoe	.....	H01R 43/0427
D774,858	S *	12/2016	Stucki	.....	D8/61
D805,365	S *	12/2017	Ballard	.....	D8/69
2008/0289394	A1 *	11/2008	Mitchell	.....	B21D 39/048
					72/409.1
2009/0313820	A1 *	12/2009	Roman, Jr.	.....	B25B 27/10
					29/863

\* cited by examiner

FIG. 1

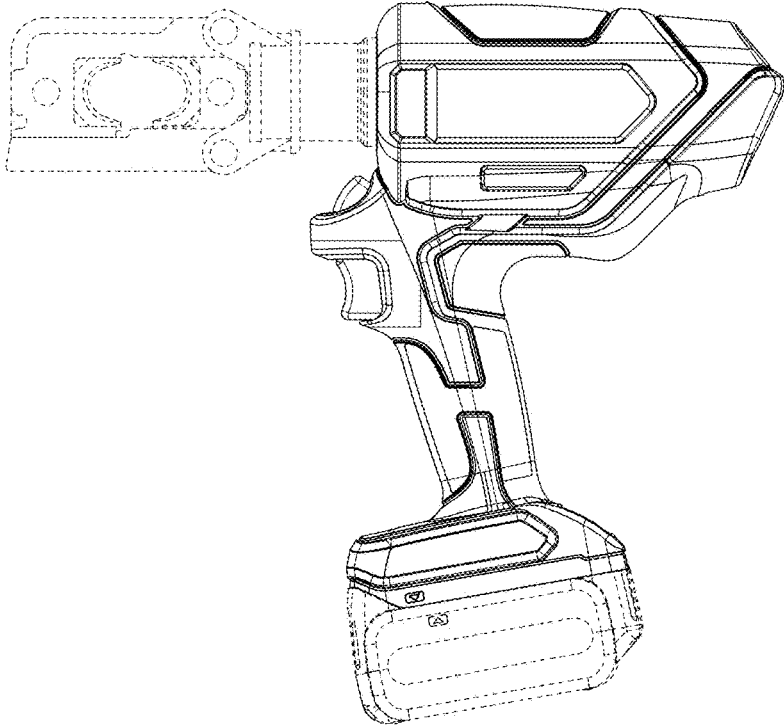


FIG. 2

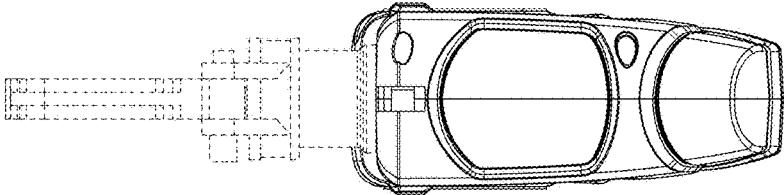


FIG. 3

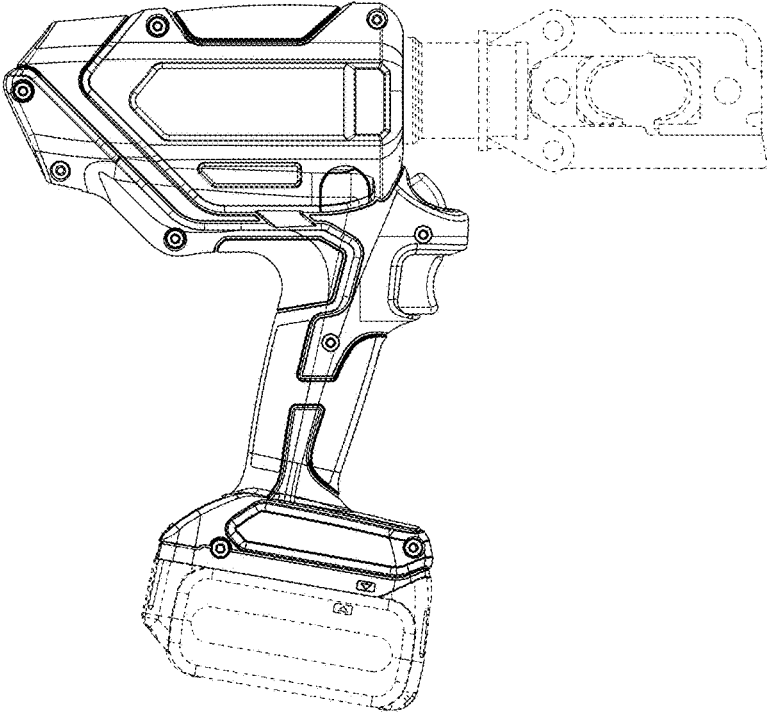


FIG. 4

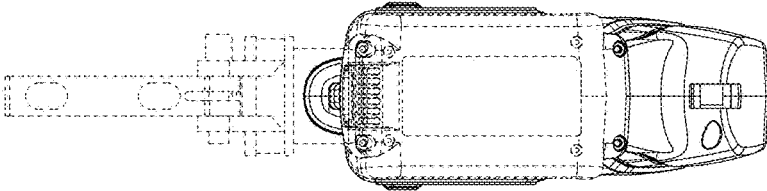


FIG. 5

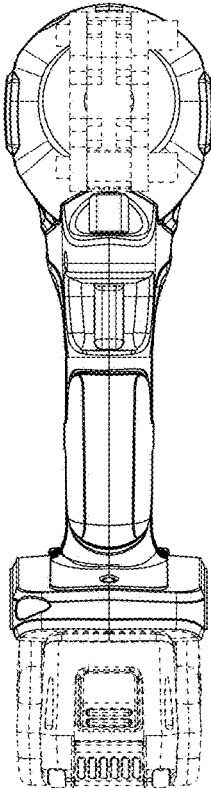


FIG. 6

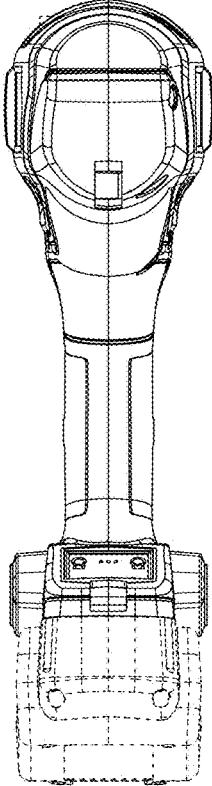


FIG. 7

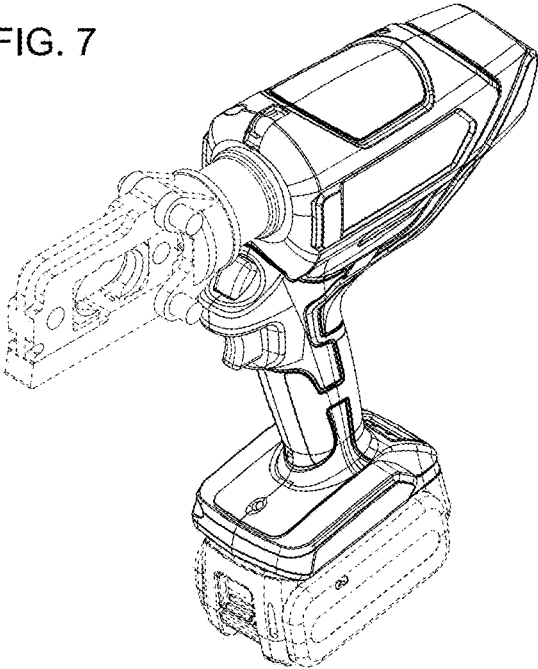


FIG. 8

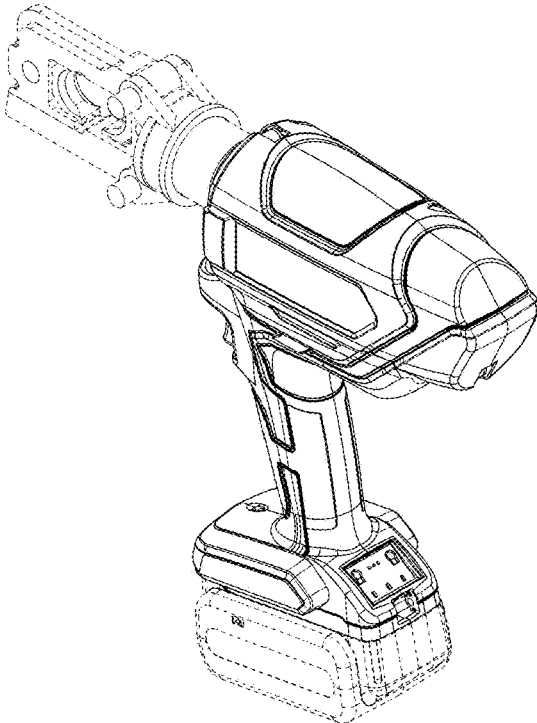


FIG. 9

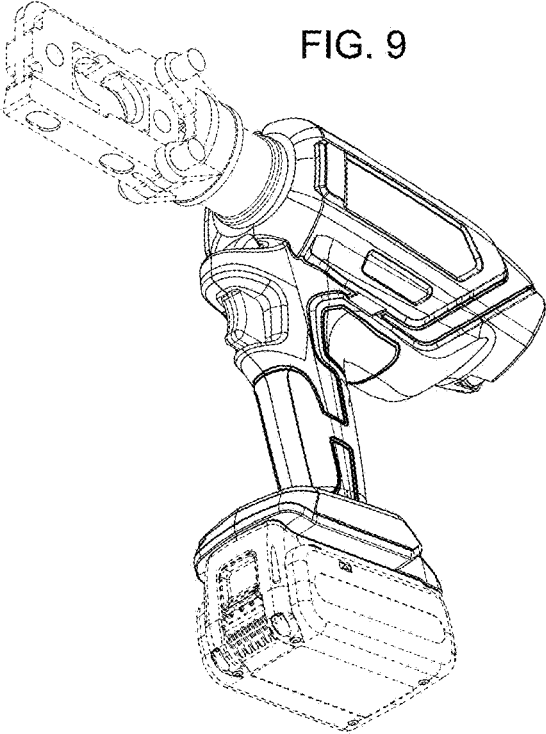


FIG. 10

