



US00D613257S

(12) **United States Design Patent**  
**Clifton**

(10) **Patent No.:** **US D613,257 S**

(45) **Date of Patent:** **\*\* Apr. 6, 2010**

(54) **HEAT SINK**

(75) Inventor: **David Wiley Clifton**, Conyers, GA (US)

(73) Assignee: **ABL IP Holding LLC**, Conyers, GA (US)

(\*\*) Term: **14 Years**

(21) Appl. No.: **29/326,709**

(22) Filed: **Oct. 23, 2008**

(51) **LOC (9) Cl.** ..... **13-03**

(52) **U.S. Cl.** ..... **D13/179**

(58) **Field of Classification Search** ..... D13/179,  
D13/180; 165/80.3, 104.33, 151, 122, 185;  
257/706, 707, 718-722; 361/687, 695, 697,  
361/700, 702, 704, 709, 710, 711, 719; 362/294,  
362/373

See application file for complete search history.

(56) **References Cited**

U.S. PATENT DOCUMENTS

4,715,438 A	12/1987	Gabuzda et al.	
4,933,746 A	6/1990	King	
D313,399 S	1/1991	Earl et al.	
4,985,815 A *	1/1991	Endo	362/294
D315,832 S	4/1991	Rocheleau et al.	
D338,449 S	8/1993	Sahyoun	
D368,253 S *	3/1996	Graves	D13/179
D381,011 S *	7/1997	Widmayer et al.	D13/179
5,794,685 A	8/1998	Dean	
D403,666 S *	1/1999	Maack et al.	D13/179
5,910,694 A *	6/1999	Yokozawa et al.	310/89
D427,946 S	7/2000	Kuo-An	
6,152,214 A	11/2000	Wagner	
D449,587 S *	10/2001	Cronin	D13/179
6,324,059 B1	11/2001	Werner	
6,385,047 B1	5/2002	McCullough et al.	
6,397,941 B1 *	6/2002	McCullough	165/185
D465,462 S	11/2002	Hsieh	
6,487,077 B1	11/2002	Lin	
6,543,522 B1	4/2003	Hegde	
D481,688 S	11/2003	Lee et al.	

6,657,862 B2	12/2003	Crocker et al.	
D490,383 S	5/2004	Tan et al.	
7,113,403 B2	9/2006	Kuo et al.	
7,193,849 B2	3/2007	Xu et al.	
D573,111 S *	7/2008	Liu et al.	D13/179
2003/0131970 A1	7/2003	Carter et al.	
2007/0014089 A1 *	1/2007	Huang	361/695
2007/0201232 A1 *	8/2007	Chen	362/294
2007/0230186 A1 *	10/2007	Chien	362/294

(Continued)

*Primary Examiner*—Selina Sikder

(74) *Attorney, Agent, or Firm*—Kilpatrick Stockton LLP

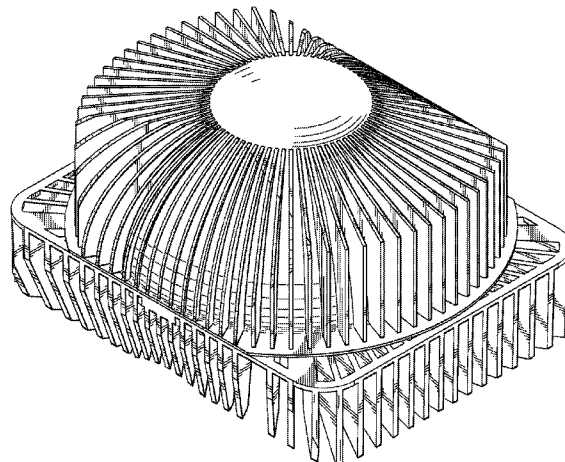
(57) **CLAIM**

I claim the ornamental design for a heat sink, as shown and described.

**DESCRIPTION**

FIG. 1 shows a top plan view of a heat sink.  
 FIG. 2 shows a left side elevation view of the heat sink of FIG. 1, the right side being a mirror image of the left side.  
 FIG. 3 shows a bottom plan view of the heat sink of FIG. 1.  
 FIG. 4 shows a front elevation view of the heat sink of FIG. 1, the back view being a mirror image of the front view.  
 FIG. 5 shows a top perspective view of the heat sink of FIG. 1; and,  
 FIG. 6 shows a bottom perspective view of the heat sink of FIG. 1.  
 The broken lines shown in FIGS. 3 and 6 views define the bounds of the claimed design and form no part thereof.

**1 Claim, 6 Drawing Sheets**



# US D613,257 S

Page 2

---

U.S. PATENT DOCUMENTS						
2007/0253202	A1 *	11/2007	Wu et al. ....	362/294	2008/0175003	A1 * 7/2008 Tsou et al. .... 362/294
2008/0037255	A1 *	2/2008	Wang .....	362/294	2009/0103308	A1 * 4/2009 Xu et al. .... 362/294
2008/0149305	A1 *	6/2008	Chen .....	165/80.3		* cited by examiner

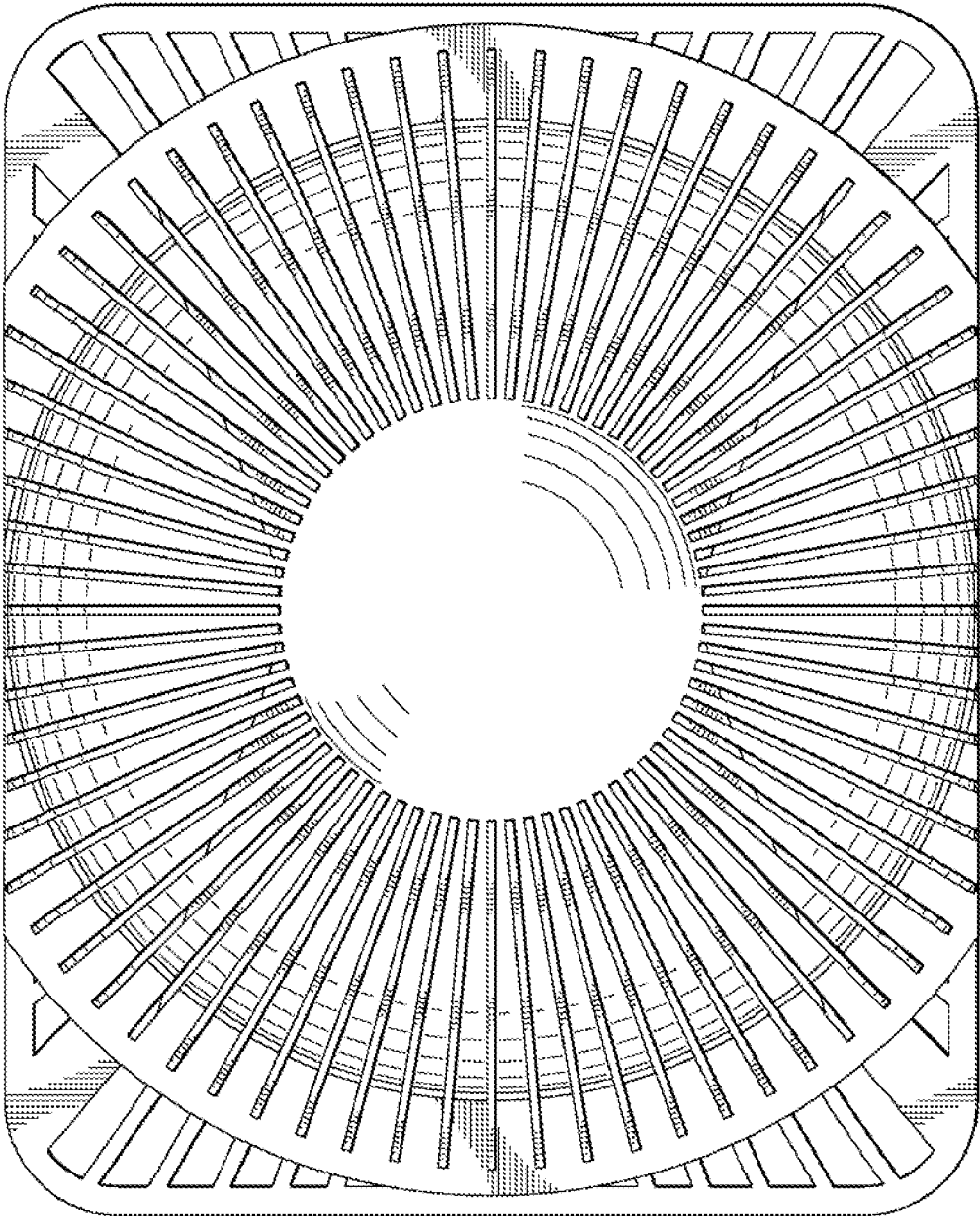


FIG. 1

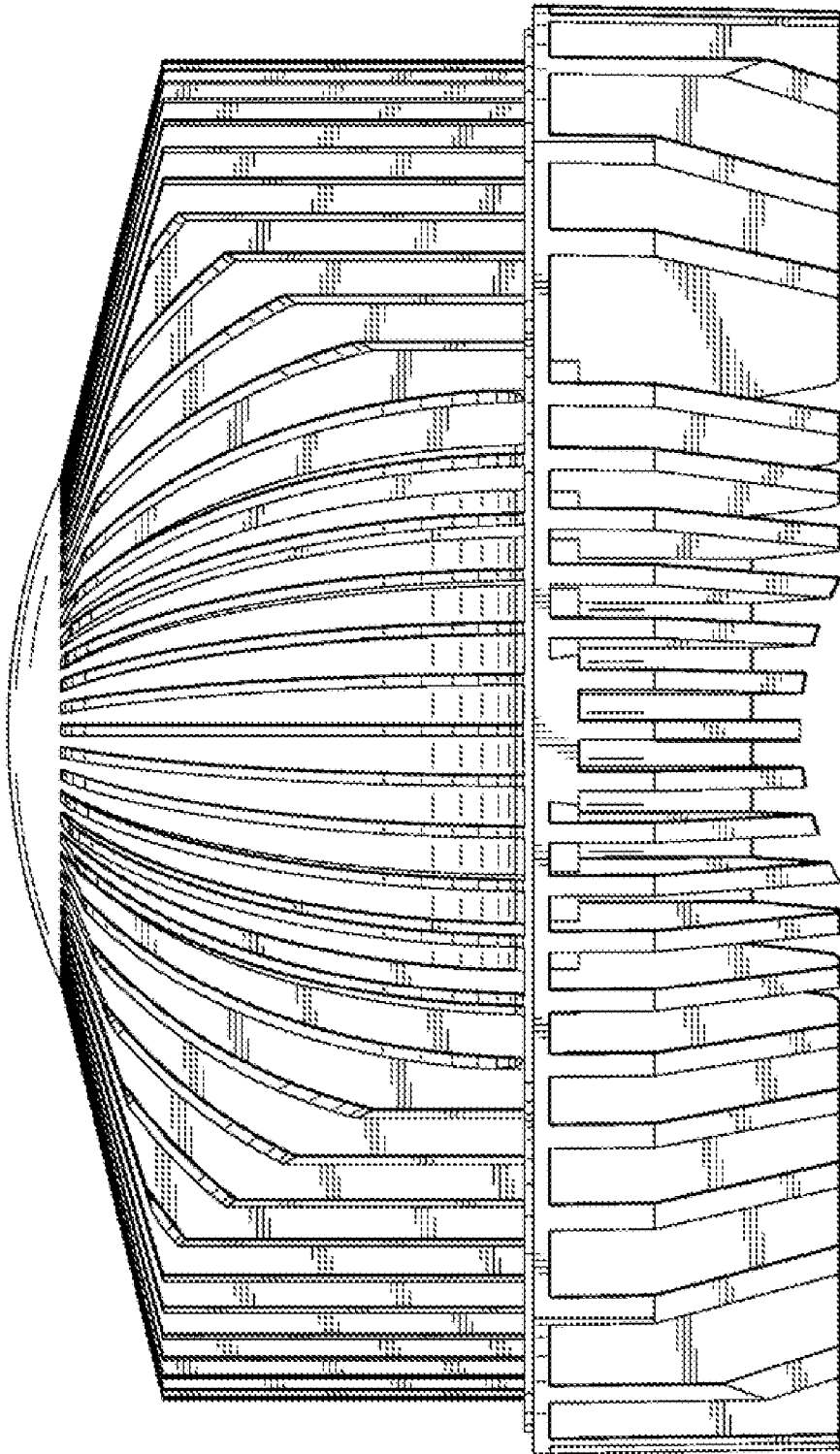


FIG. 2

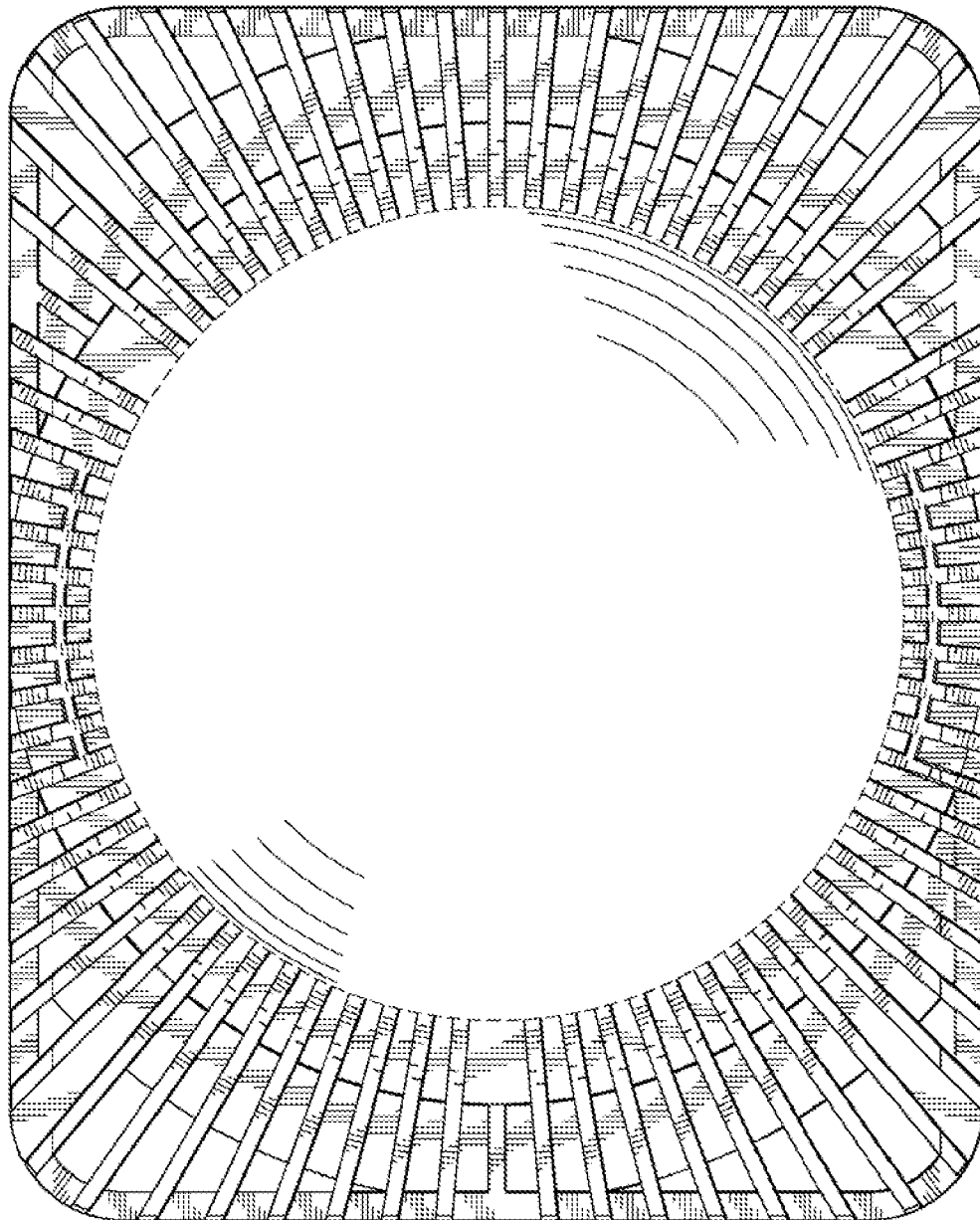


FIG. 3

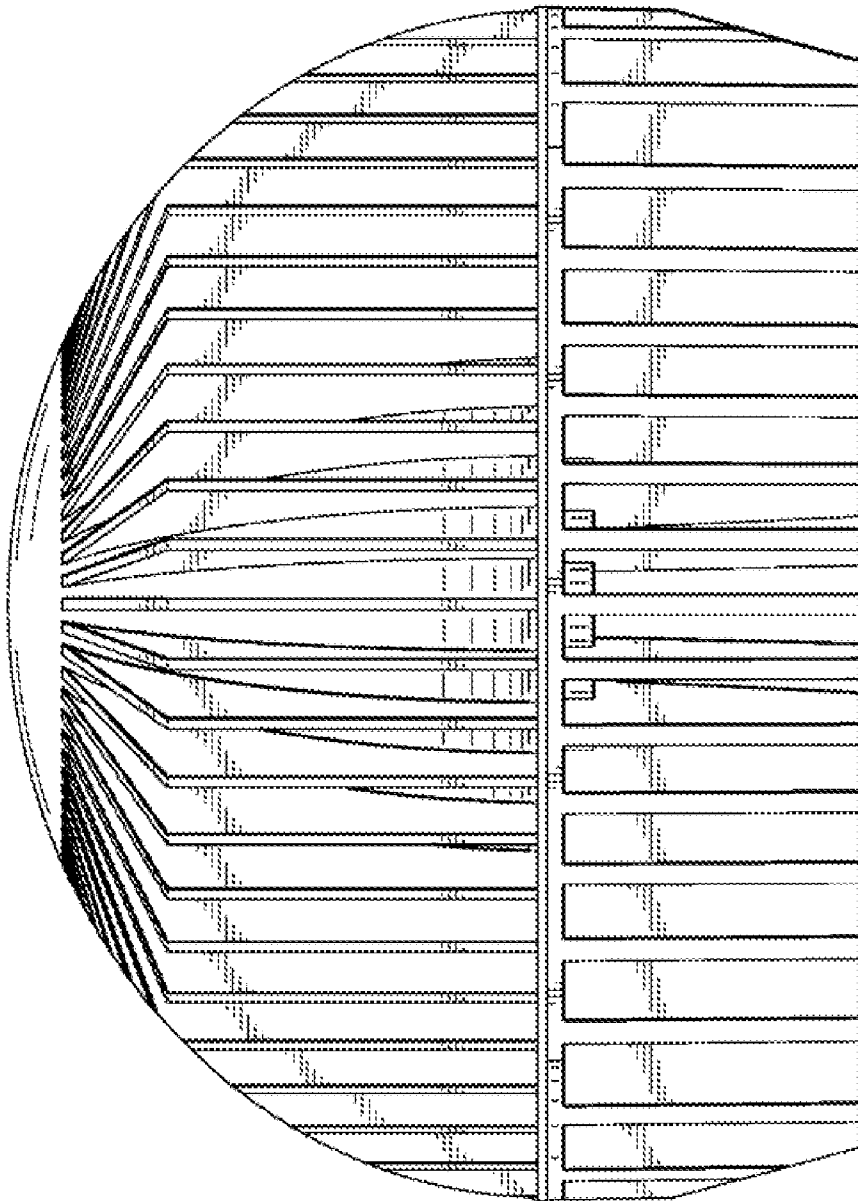


FIG. 4

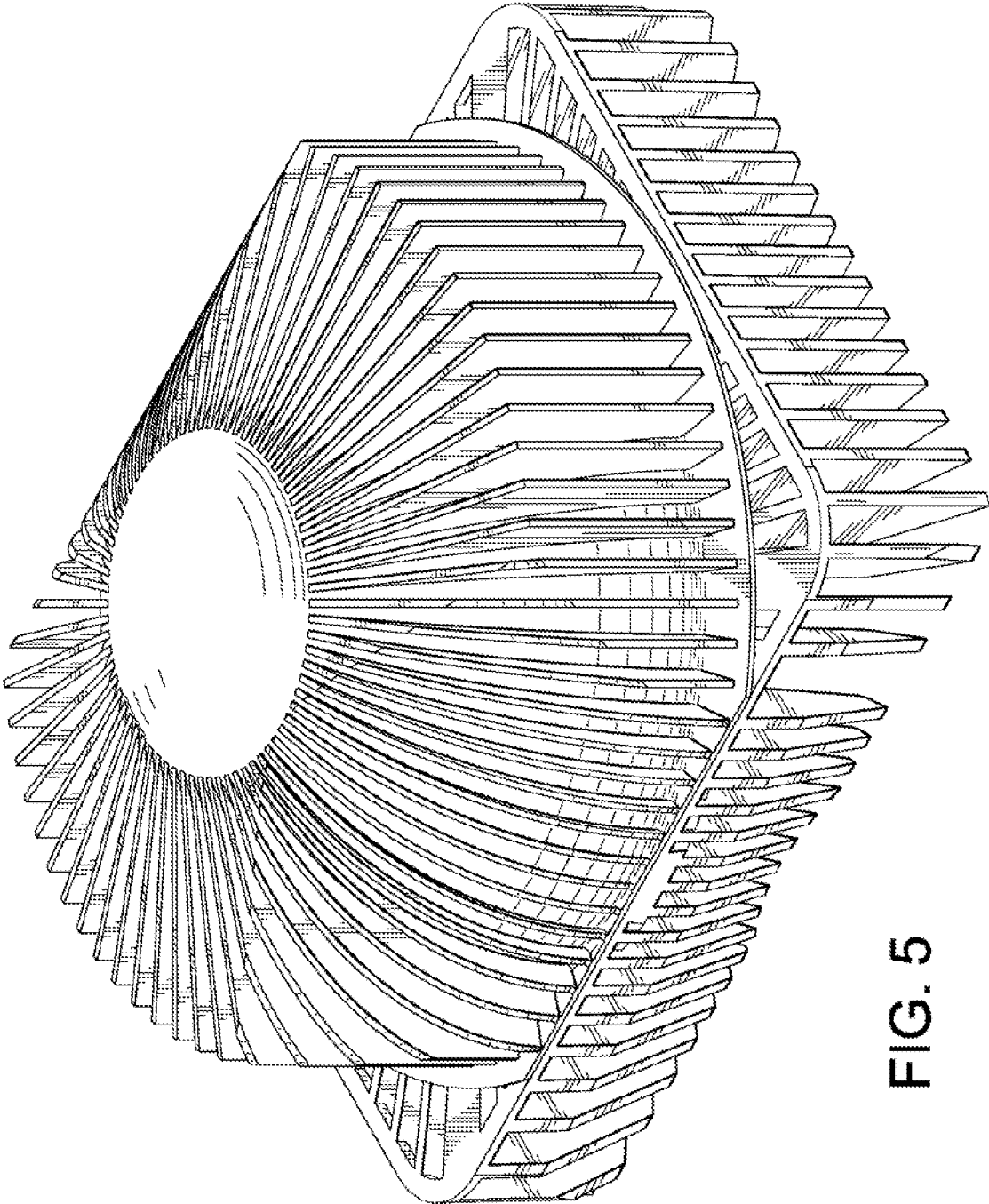


FIG. 5

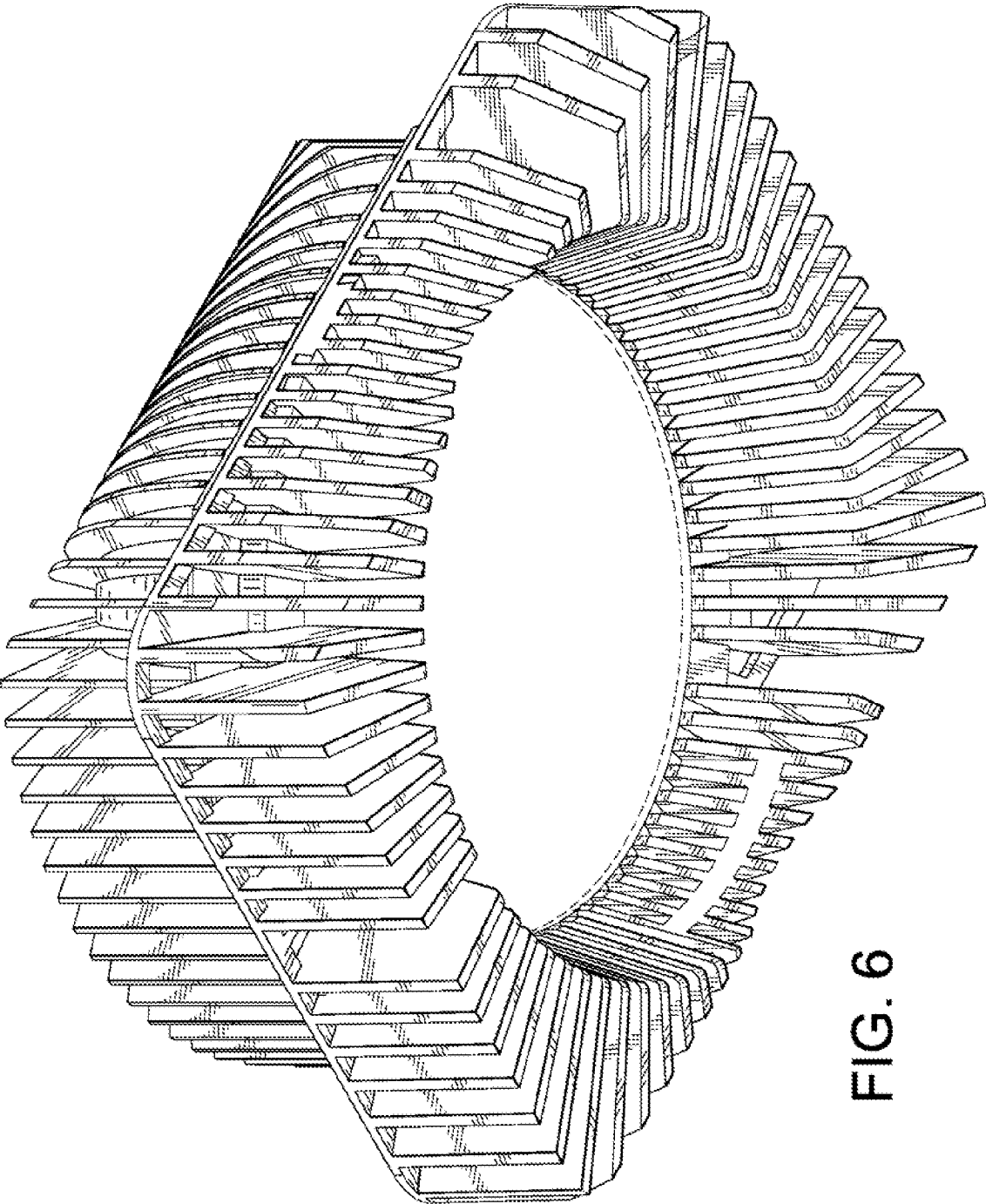


FIG. 6