



US00D346930S

# United States Patent [19]

Gabalis

[11] Patent Number: **Des. 346,930**

[45] Date of Patent: **\*\* May 17, 1994**

- [54] MICROWAVE-SAFE BOX HANDLE
- [76] Inventor: **Billy J. Gabalis**, 91846 Kauwili St., Ewa Beach, Hi. 96706
- [\*\*] Term: **14 Years**
- [21] Appl. No.: **748,059**
- [22] Filed: **Aug. 21, 1991**
- [52] U.S. Cl. .... **D7/393; D8/107; D9/443**
- [58] Field of Search ..... **D7/393, 394; D8/14, D8/107; D9/434, 443; 220/318; D34/28, 43**

- 4,925,054 5/1990 Rau ..... 220/94 R
- 4,989,744 2/1991 Tominaga ..... 220/94 R

*Primary Examiner*—Alan P. Douglas  
*Assistant Examiner*—Caron D. Veynar  
*Attorney, Agent, or Firm*—Terry M. Gernstein

### [57] CLAIM

The ornamental design for a microwave-safe box handle, as shown and described.

### DESCRIPTION

FIG. 1 is a perspective view of the microwave-safe box handle embodying the design of the present invention; FIG. 2 is a front elevational view thereof, the rear being a mirror image of the front shown in FIG. 2; FIG. 3 is an end elevational view thereof, the end opposite being a mirror image of the end shown in FIG. 3; FIG. 4 is a top plan view thereof; and, FIG. 5 is a bottom view thereof.

### [56] References Cited

#### U.S. PATENT DOCUMENTS

- D. 199,333 10/1964 Finley ..... D8/107 X
- D. 208,997 10/1967 Anderson ..... D8/107 X
- 4,127,915 12/1978 Logen et al. .... D8/107 X
- 4,923,082 5/1990 Bird ..... 220/94 R

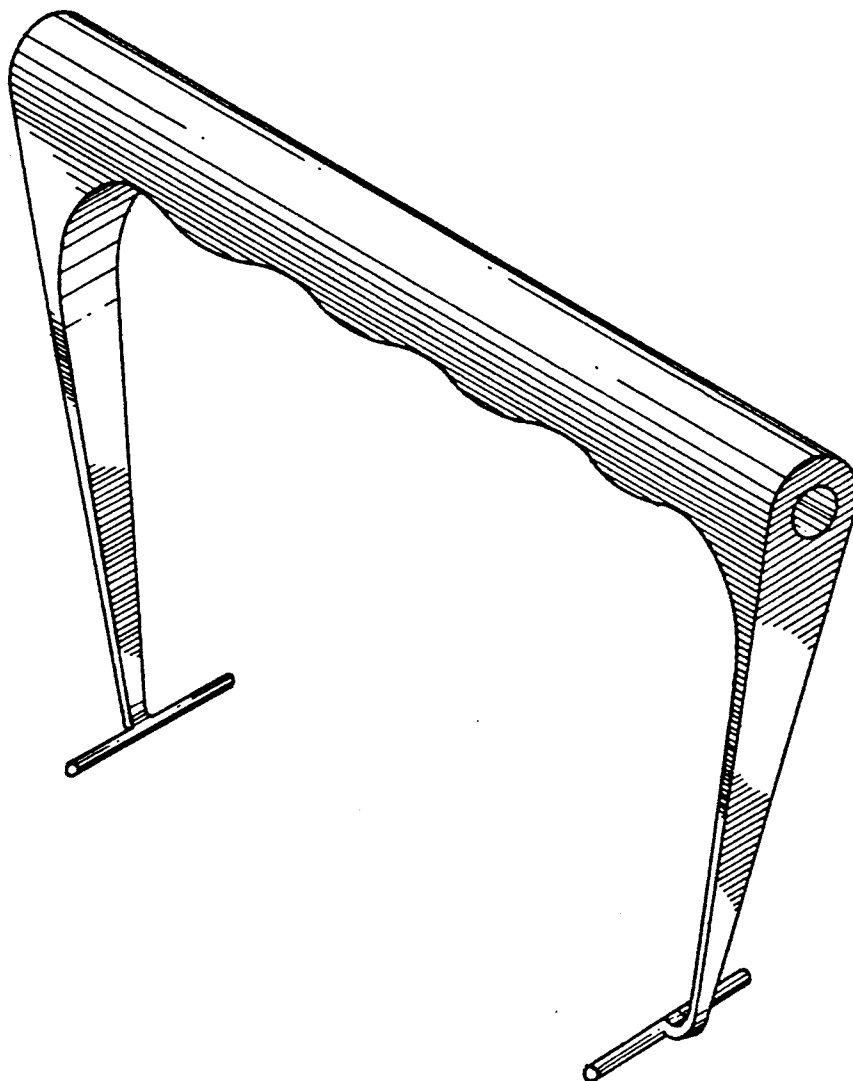
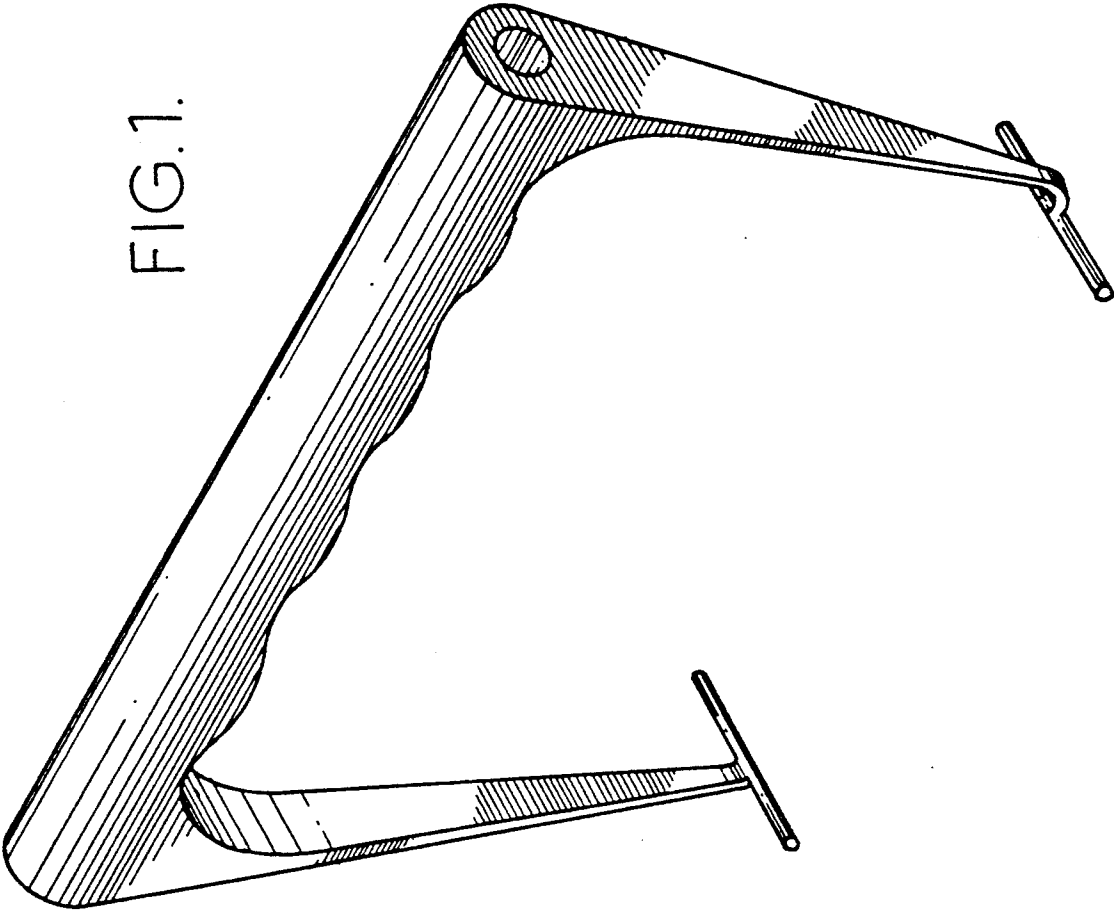


FIG. 1.



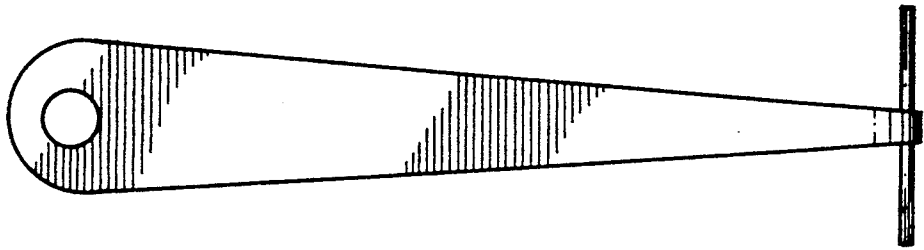


FIG. 3.

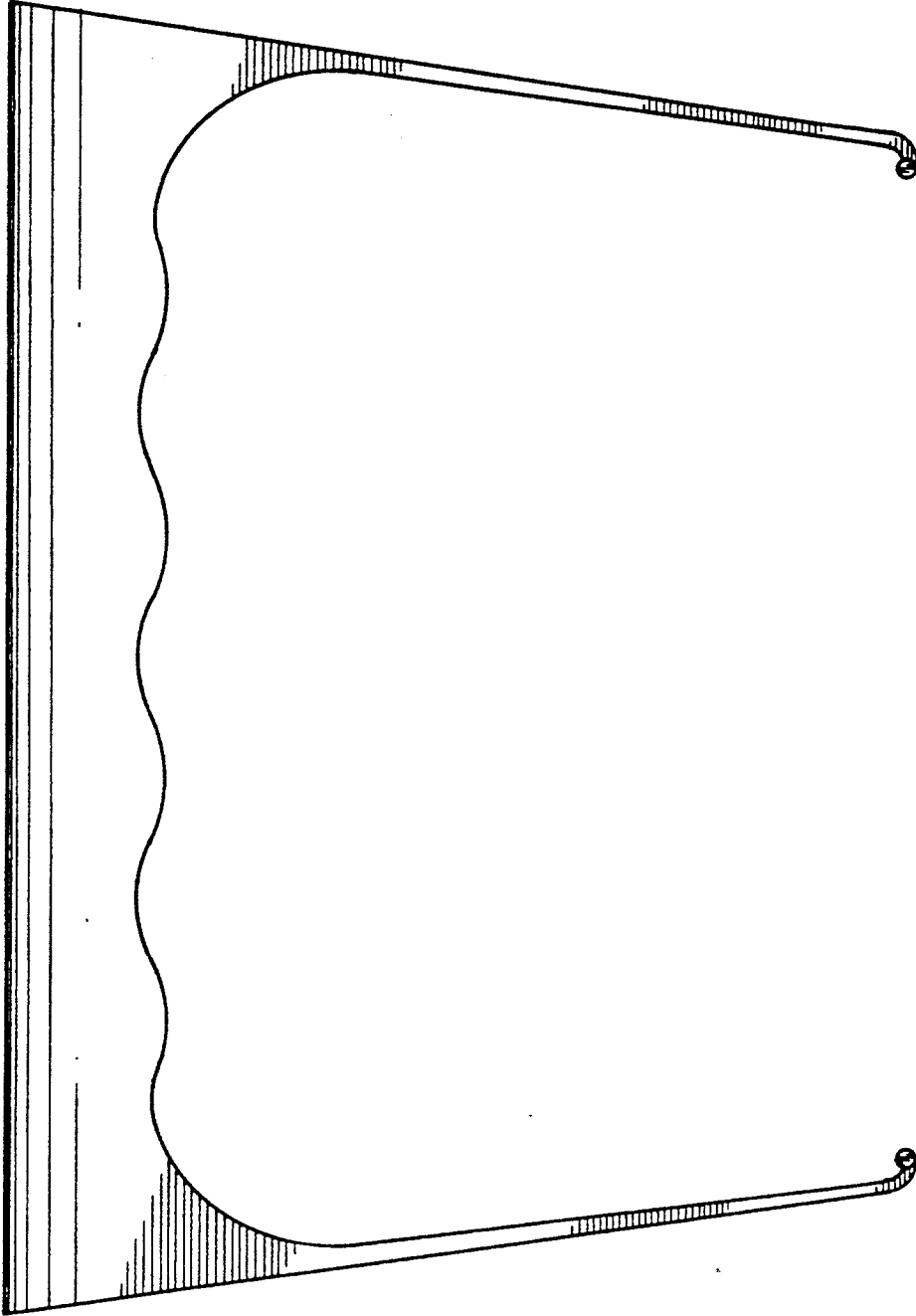


FIG. 2.

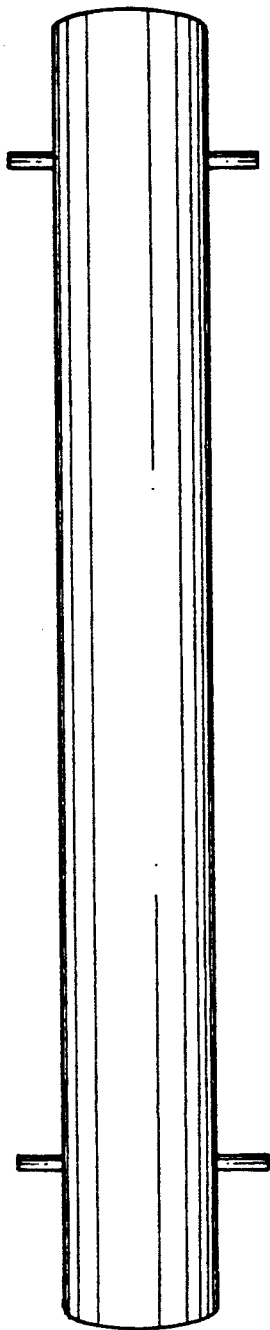


FIG. 4.

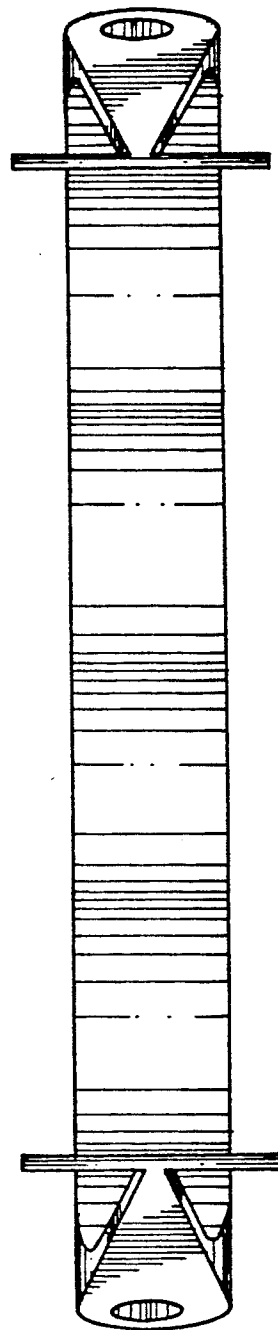


FIG. 5.