



US00D588024S

(12) **United States Design Patent**  
**Binggeli**

(10) **Patent No.:** **US D588,024 S**

(45) **Date of Patent:** **\*\* Mar. 10, 2009**

(54) **WRISTWATCH**

- (75) Inventor: **Jacques Binggeli**, Neuchatel (CH)
- (73) Assignee: **Levendi Jewelers**, Sydney, NSW (AU)
- (\*\*) Term: **14 Years**
- (21) Appl. No.: **29/319,917**
- (22) Filed: **Jun. 17, 2008**

*Primary Examiner*—Lucy Lieberman  
 (74) *Attorney, Agent, or Firm*—Brinks Hofer Gilson & Lione;  
 Trevor K. Copeland

- (51) **LOC (9) Cl.** ..... **10-02**
- (52) **U.S. Cl.** ..... **D10/38**
- (58) **Field of Classification Search** ..... D10/30–39;  
 368/276, 281, 282, 285, 308, 319, 296  
 See application file for complete search history.

(57) **CLAIM**

The ornamental design for a wristwatch, as shown and described.

(56) **References Cited**

U.S. PATENT DOCUMENTS

2,361,563	A *	10/1944	Pellaton	368/80
D186,180	S *	9/1959	Diamond	D10/39
3,427,800	A *	2/1969	Blum	368/223
4,766,579	A *	8/1988	Sporring	368/190
5,467,325	A *	11/1995	Juillerat	368/276
D365,526	S *	12/1995	Gardner	D10/39
6,456,569	B1 *	9/2002	Stauffer	368/236
D507,496	S *	7/2005	Tang	D10/30
D508,416	S *	8/2005	Tang	D10/30
D538,182	S *	3/2007	Lalo	D10/32
D551,095	S *	9/2007	Monachon	D10/32
D573,486	S *	7/2008	Sanz	D10/38

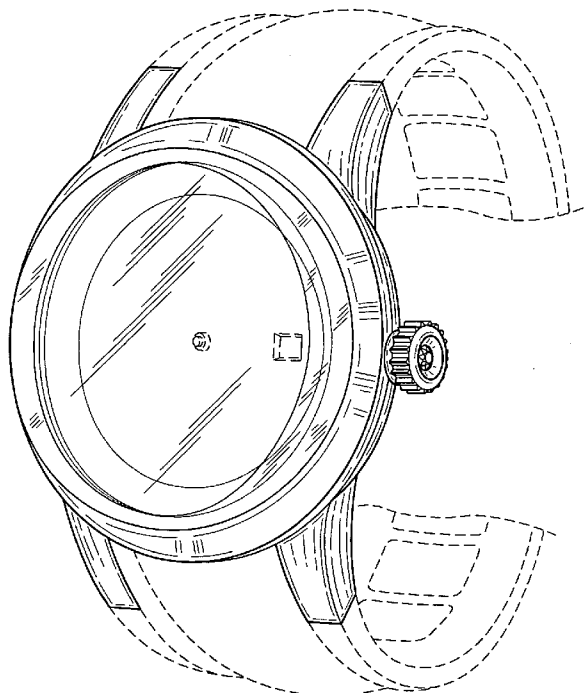
**DESCRIPTION**

- FIG. 1 is a first front perspective view of a wristwatch of the present invention;
- FIG. 2 is a second front perspective view thereof;
- FIG. 3 is a front elevation thereof;
- FIG. 4 is a rear elevation thereof, omitting the unclaimed environment of a watchband solely for the sake of clarity of view;
- FIG. 5 is a right side elevation view thereof;
- FIG. 6 is a left side elevation view thereof;
- FIG. 7 is a bottom view thereof;
- FIG. 8 is a top view thereof; and,
- FIG. 9 is a rear perspective view thereof.

The ornamental design which is claimed is shown in solid lines in the drawings. Any broken or phantom lines in the drawings are for illustrative purposes only and form no part of the claimed design.

\* cited by examiner

**1 Claim, 9 Drawing Sheets**



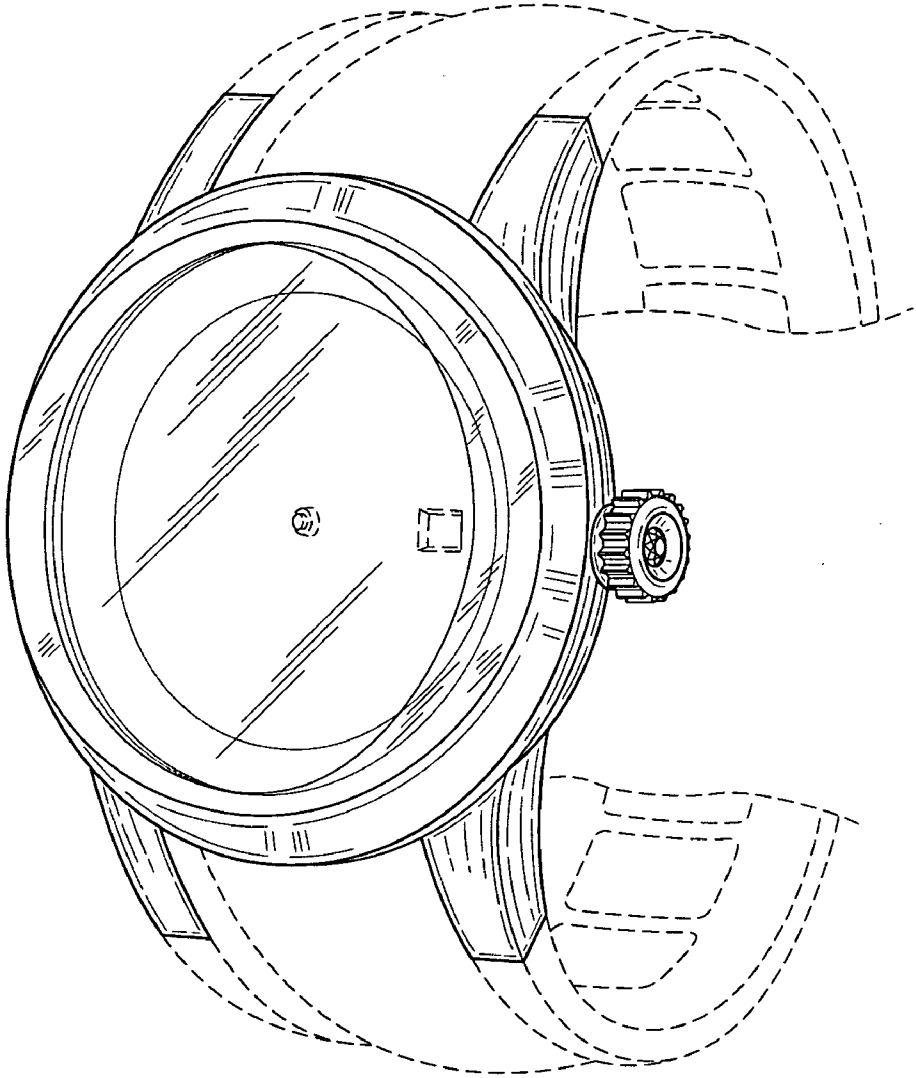


Fig. 1

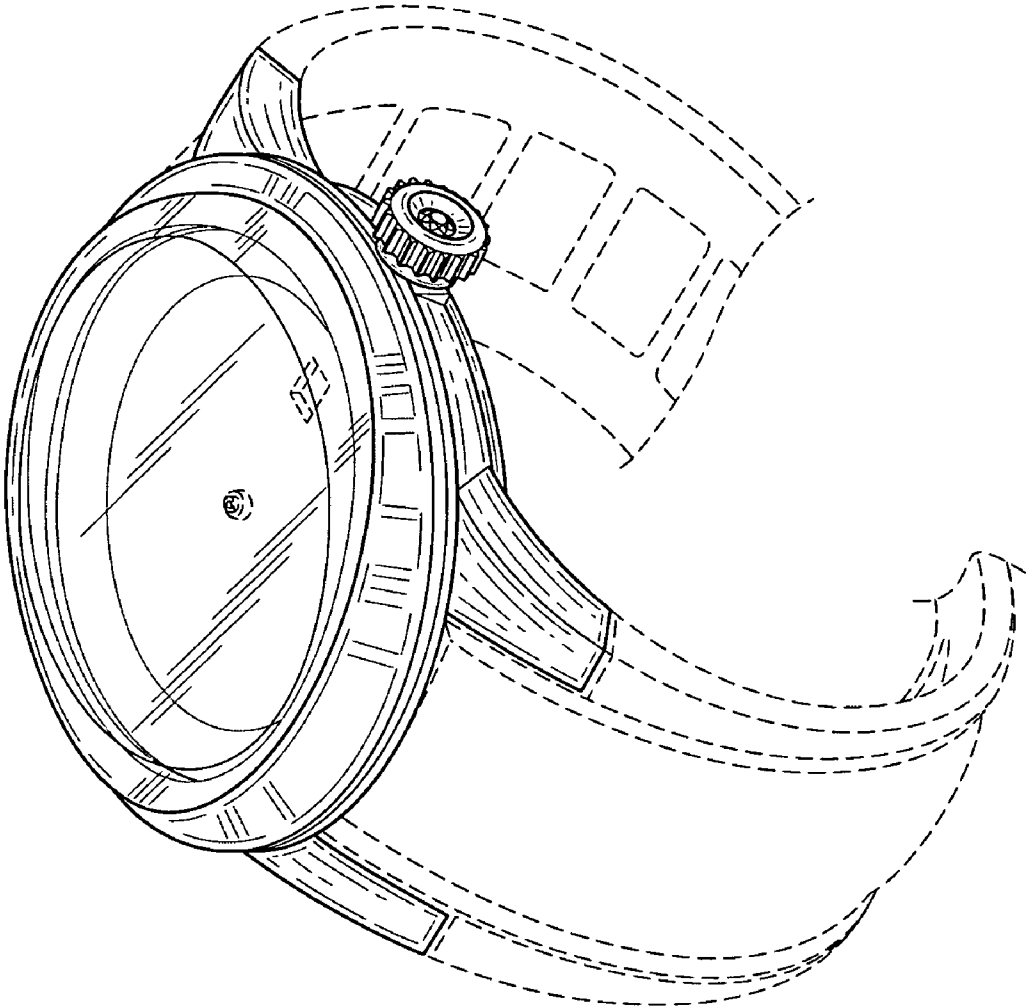


Fig. 2

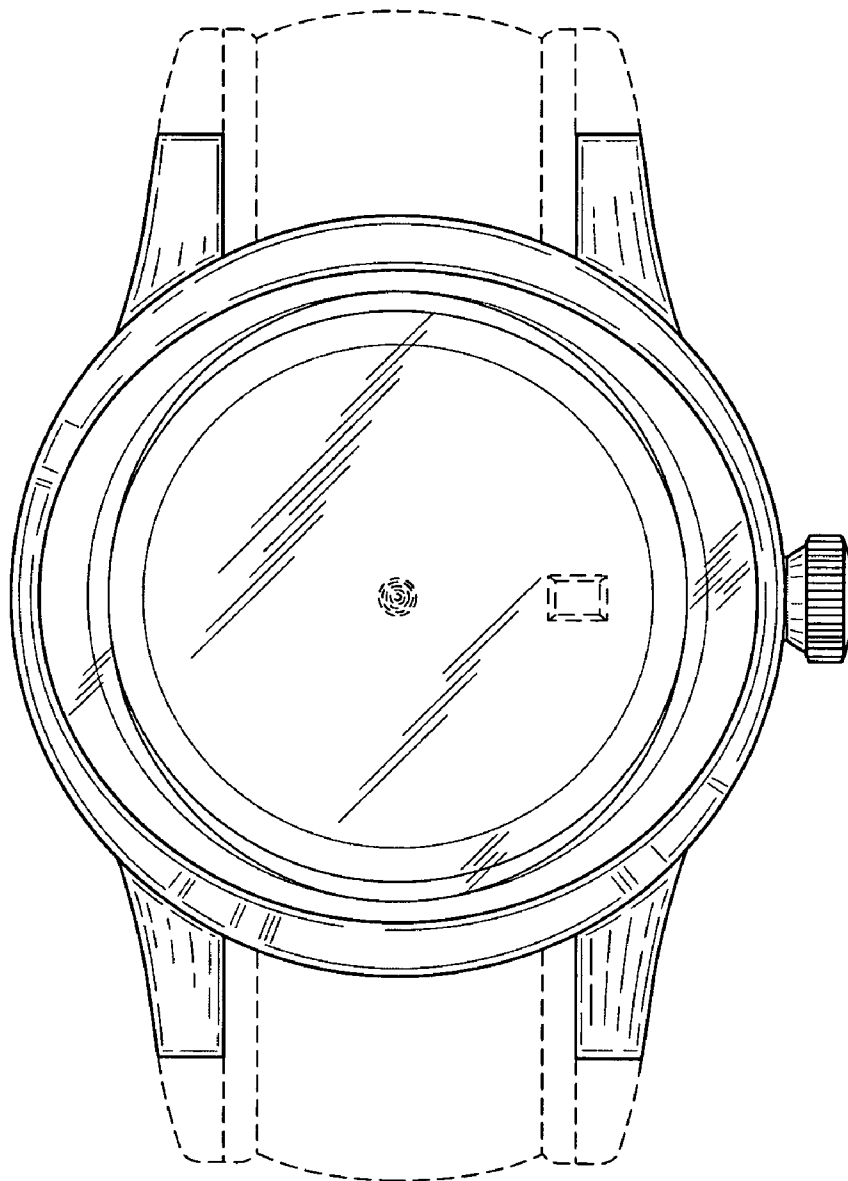


Fig. 3

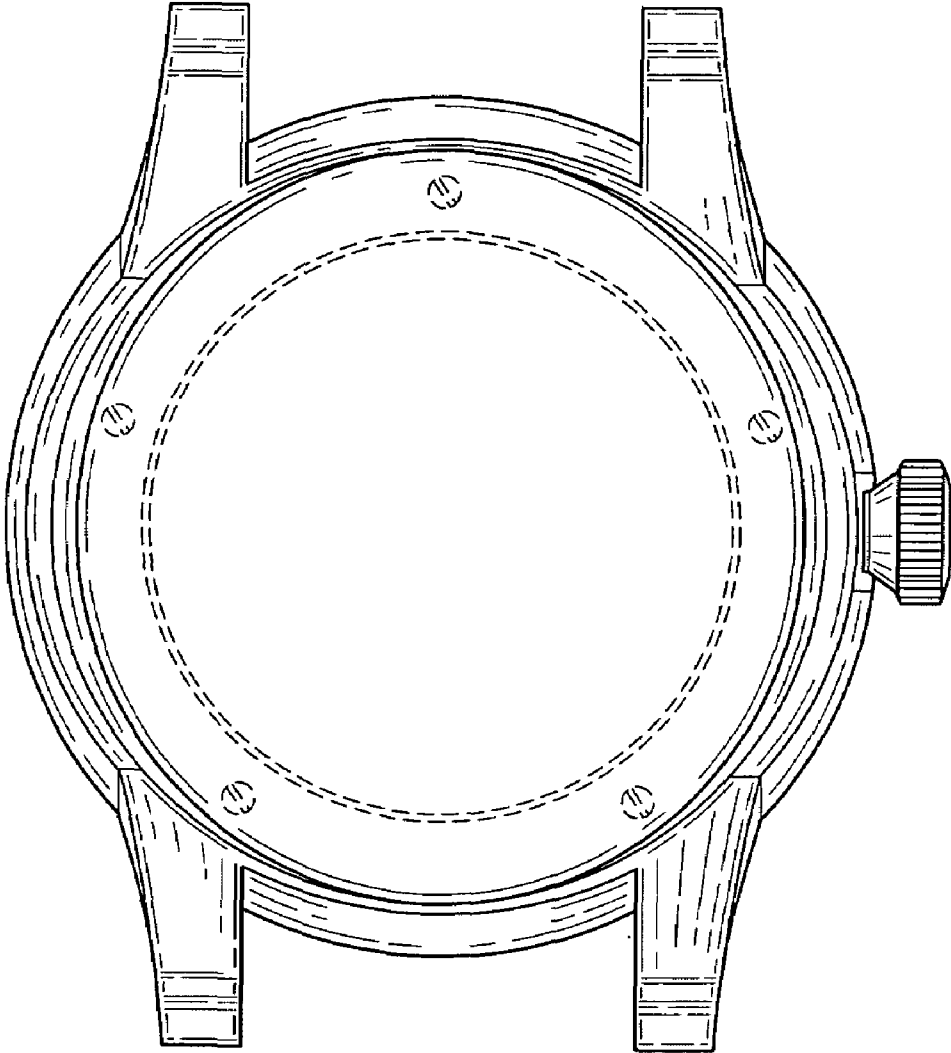


Fig. 4

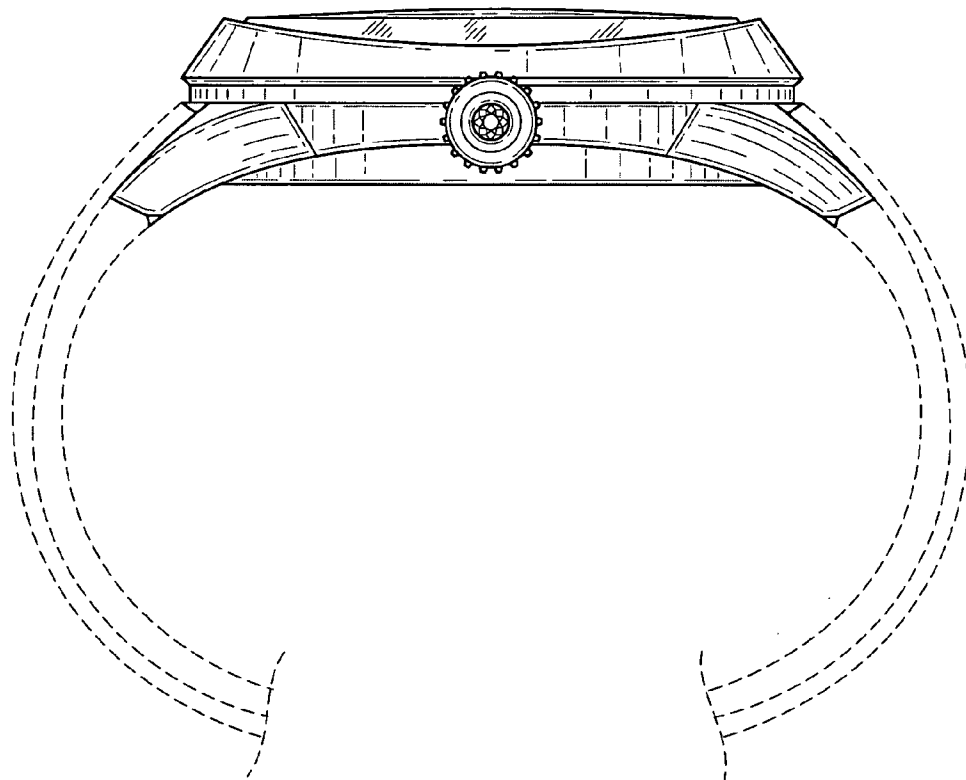


Fig. 5

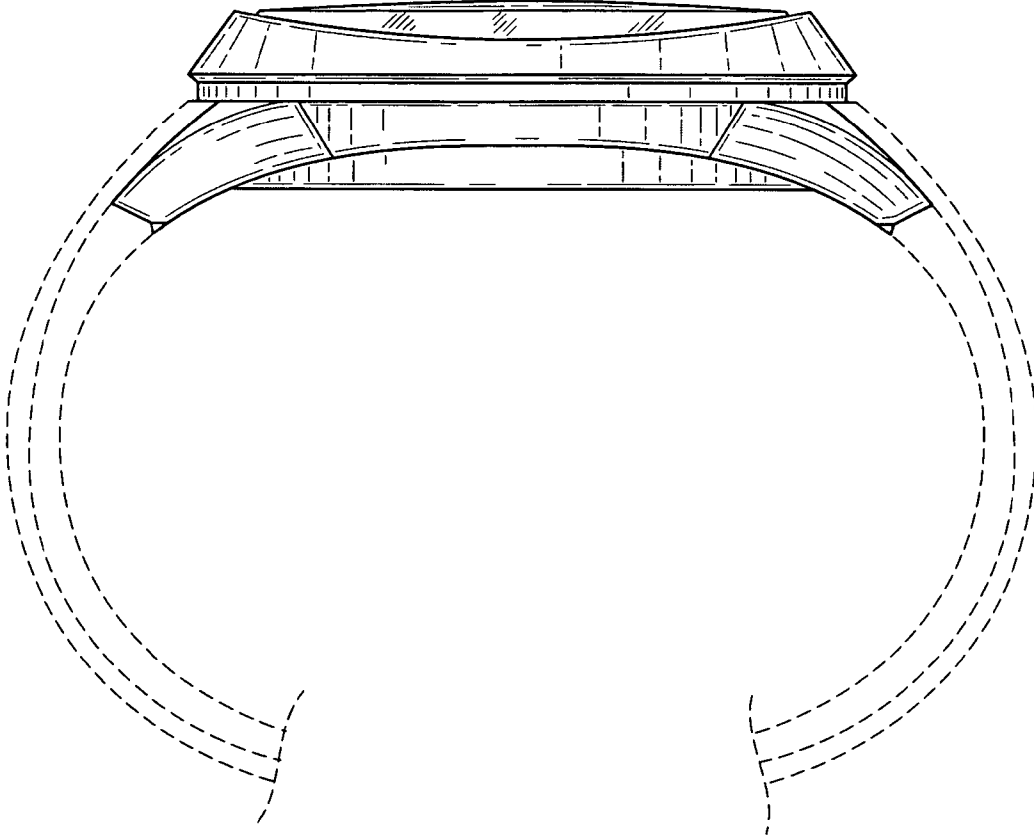


Fig. 6

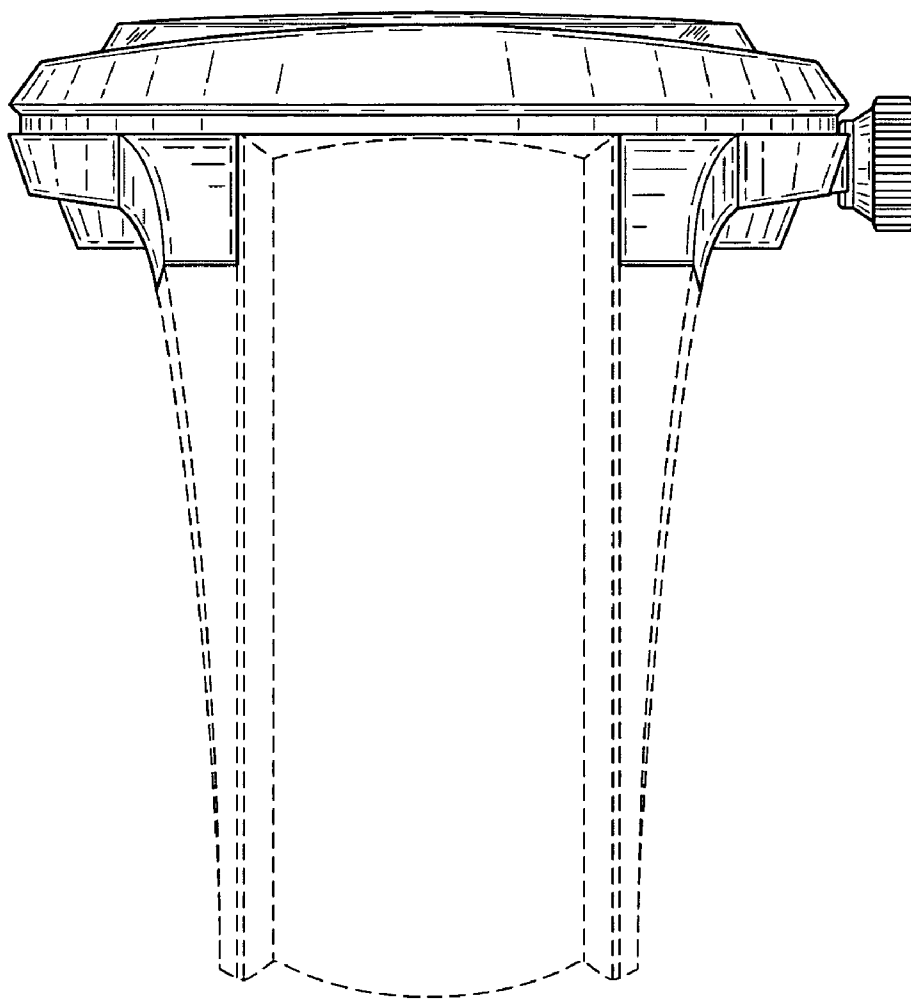


Fig. 7

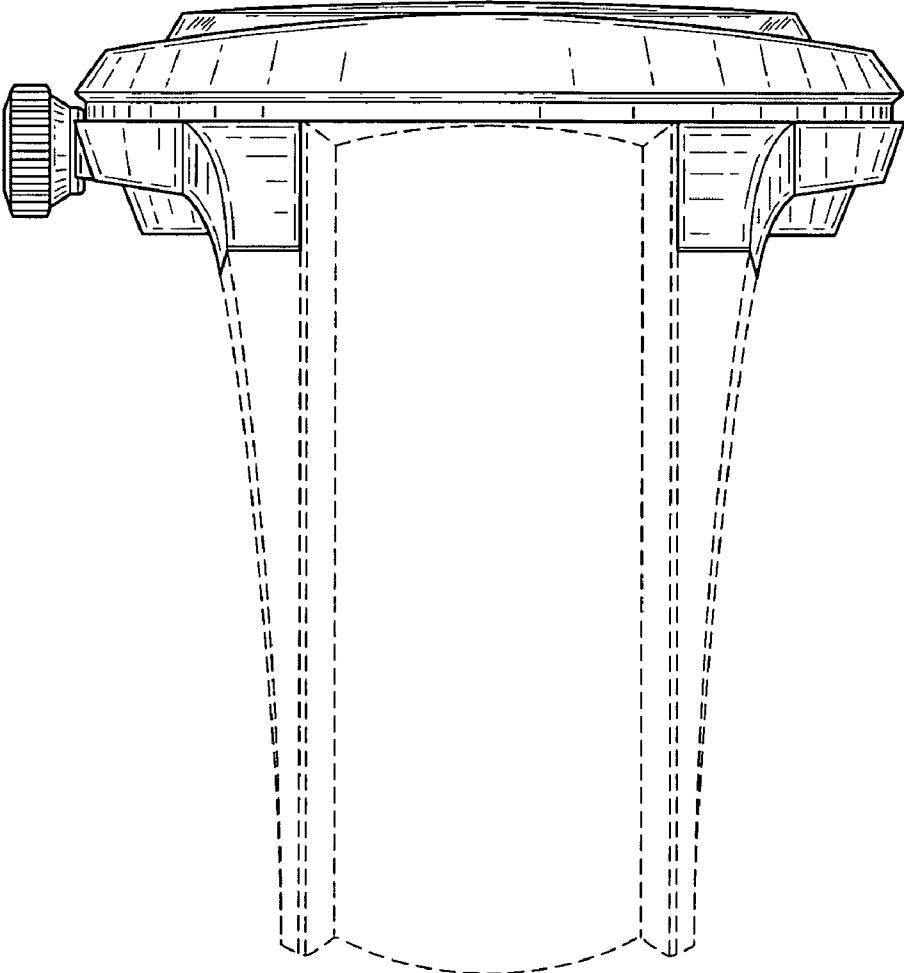


Fig. 8

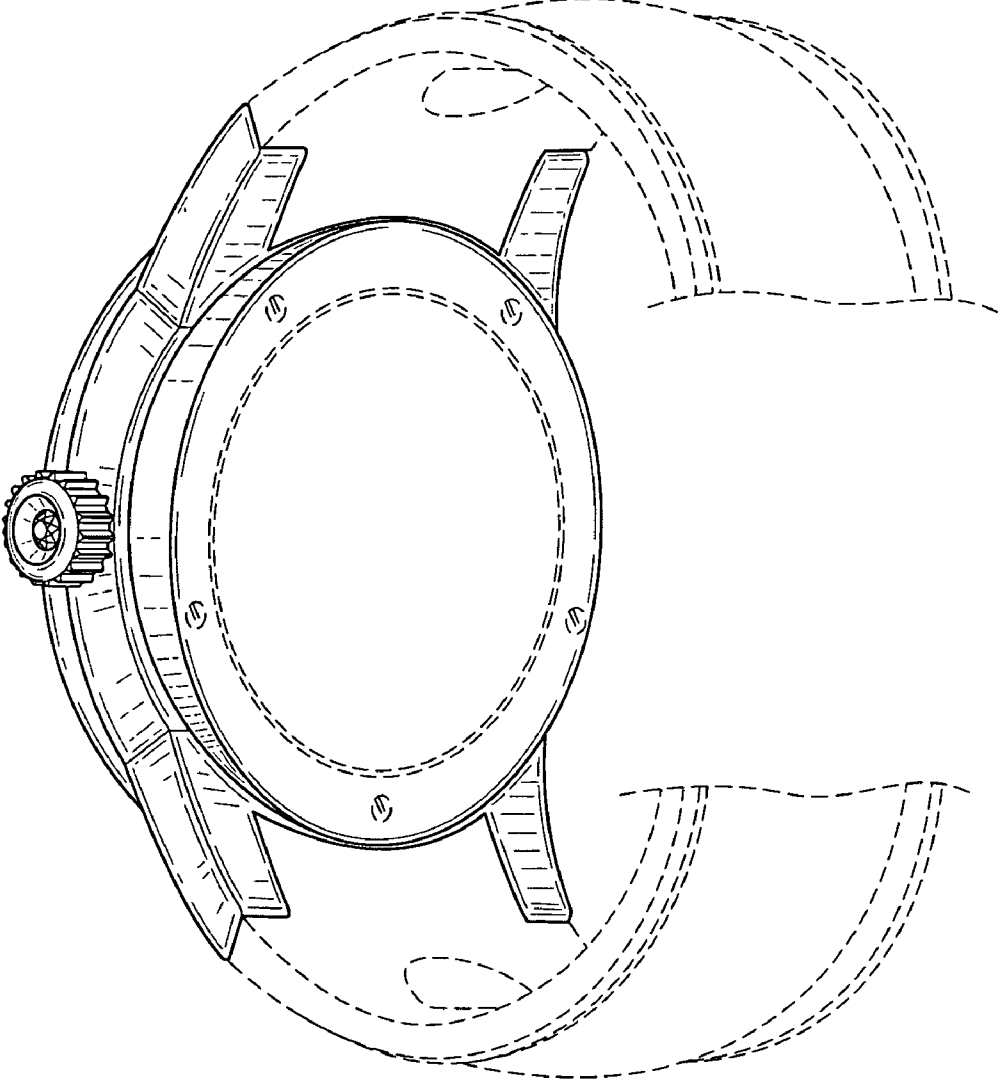


Fig. 9