



US00D781998S

(12) **United States Design Patent**
Ruzicka

(10) **Patent No.:** **US D781,998 S**

(45) **Date of Patent:** **** Mar. 21, 2017**

- (54) **SOLAR POWERED WATER MIXING DEVICE**
- (71) Applicant: **Wayne Ruzicka**, Wilton, ND (US)
- (72) Inventor: **Wayne Ruzicka**, Wilton, ND (US)
- (**) Term: **15 Years**
- (21) Appl. No.: **29/543,888**
- (22) Filed: **Oct. 29, 2015**
- (51) **LOC (10) Cl.** **23-01**
- (52) **U.S. Cl.**
USPC **D23/200; D13/102**
- (58) **Field of Classification Search**
USPC D23/200, 207, 208, 209; 202/83;
159/903, 904; 261/91; D13/102;
366/336
CPC ... B01D 3/04; B01D 3/008; C02F 3/16; C02F
1/14
See application file for complete search history.

- D311,516 S * 10/1990 Geisler, Jr. D13/102
- 5,021,154 A * 6/1991 Haegeman C02F 3/165
210/221.2
- 5,110,510 A * 5/1992 Norcross B01F 3/04539
210/242.2
- 5,112,446 A * 5/1992 Vallon C02F 1/14
202/185.2
- D357,057 S * 4/1995 Thomas D23/200
- 6,432,302 B1 * 8/2002 Obritsch B01F 3/04773
210/170.05
- 7,008,515 B1 * 3/2006 Husson, Jr. B01D 1/0005
159/904
- D652,374 S * 1/2012 Mercer D13/102
- D724,011 S * 3/2015 Keller D13/102

* cited by examiner

Primary Examiner — Robin V Webster

(74) *Attorney, Agent, or Firm* — Dale J. Ream

(57) **CLAIM**

The ornamental design for a solar powered water mixing device, as shown and described.

DESCRIPTION

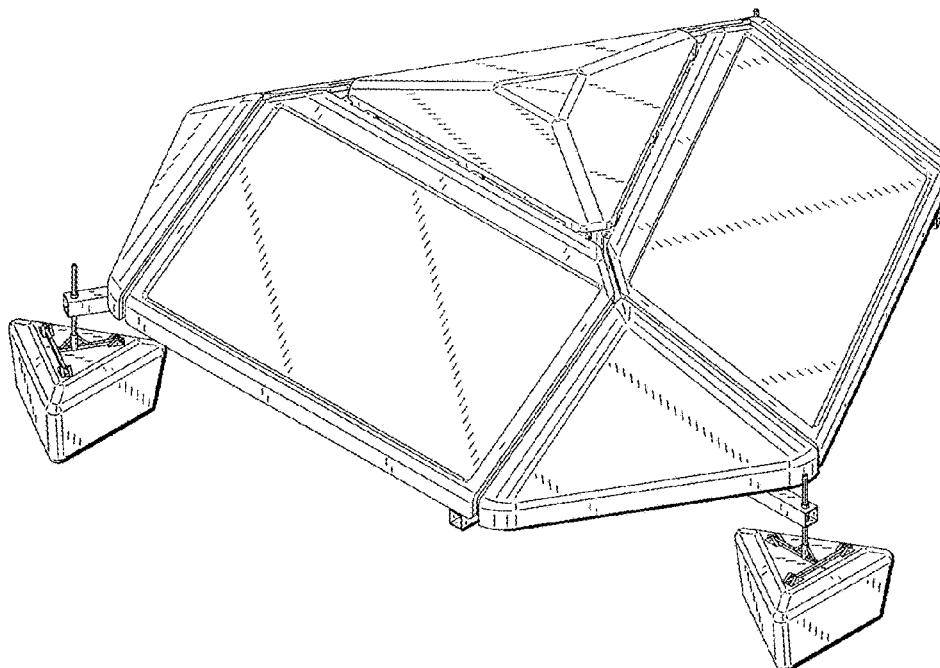
FIG. 1 is a perspective view of a solar powered water mixing device showing my new design;
 FIG. 2 is a front view thereof;
 FIG. 3 is a back view thereof;
 FIG. 4 is a right side view thereof;
 FIG. 5 is a left side view thereof;
 FIG. 6 is a top view thereof; and,
 FIG. 7 is a bottom view thereof.

1 Claim, 7 Drawing Sheets

(56) **References Cited**

U.S. PATENT DOCUMENTS

- 2,412,466 A * 12/1946 Miller, Jr. C02F 1/14
126/624
- 3,397,117 A * 8/1968 Smith B63C 9/06
202/234
- 3,415,719 A * 12/1968 Telkes B01D 5/0066
159/904
- 4,219,387 A * 8/1980 Gruntman B01D 1/0005
159/904



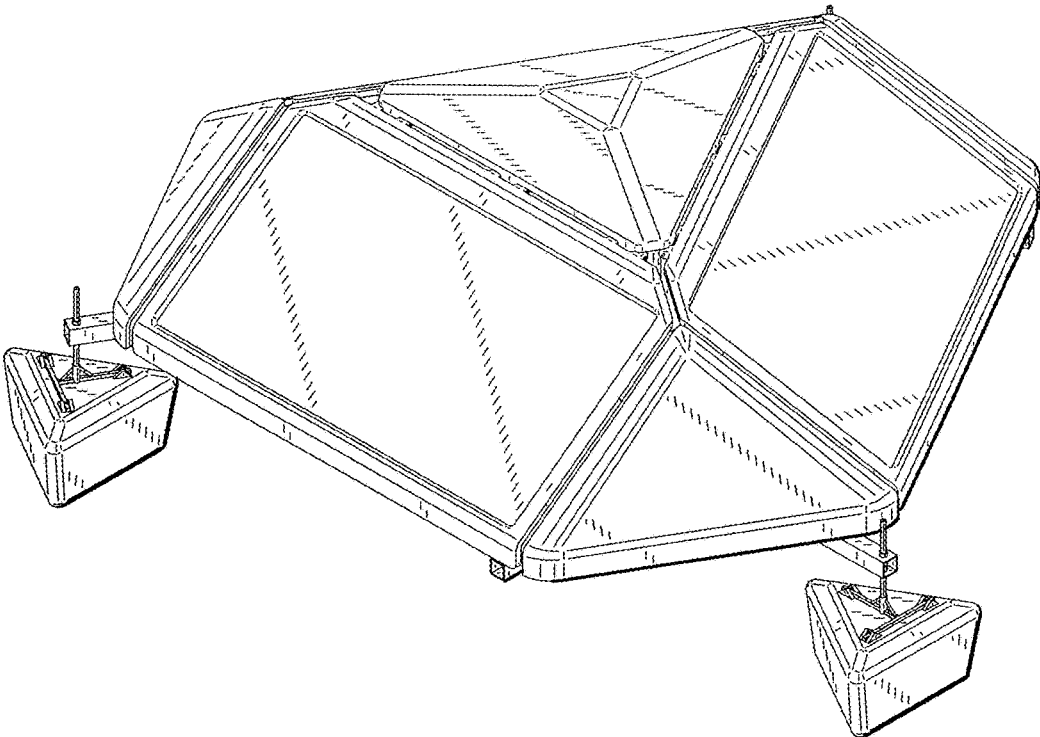


FIG. 1

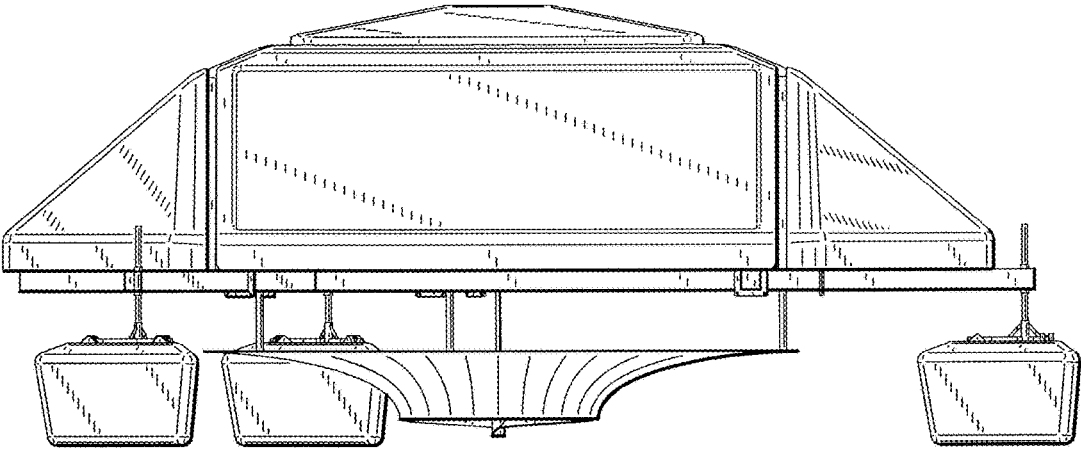


FIG. 2

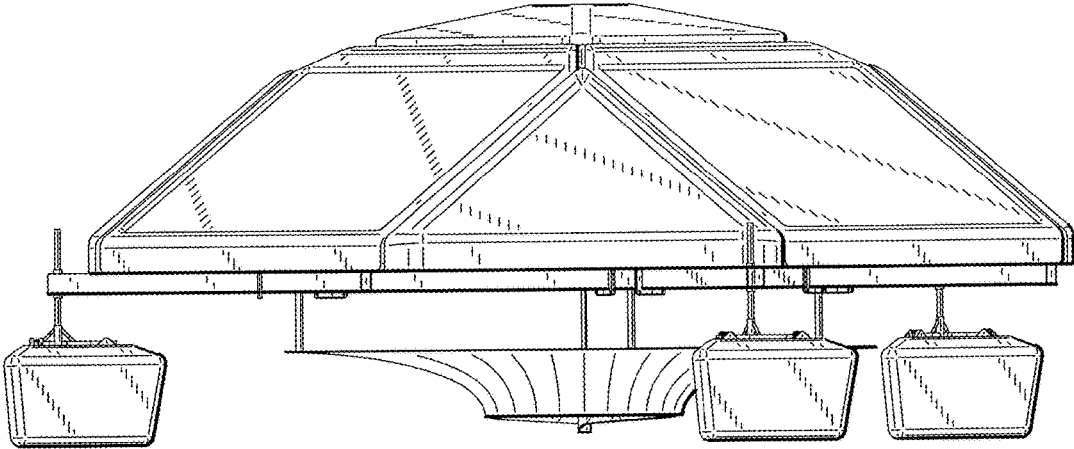


FIG. 3

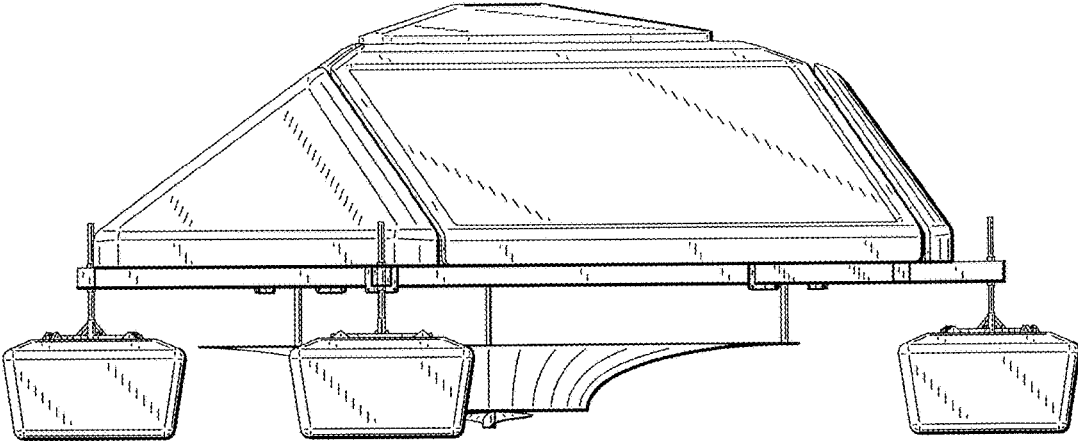


FIG. 4

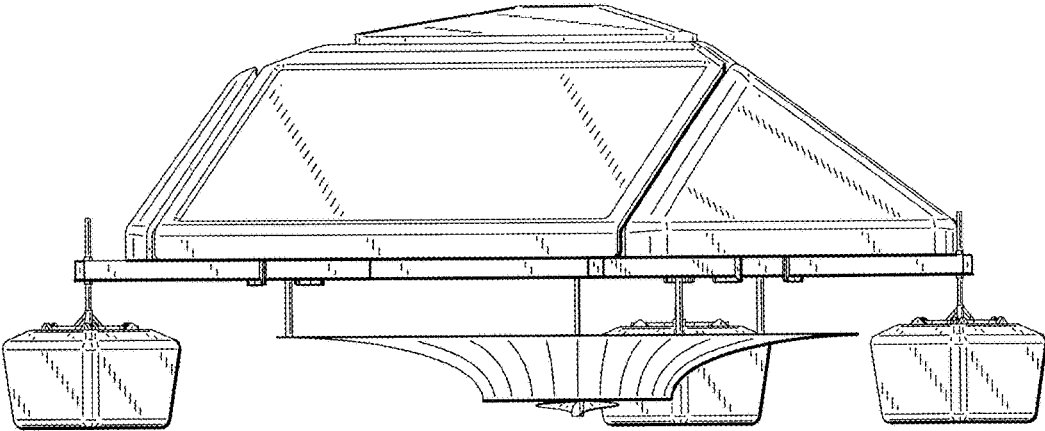


FIG. 5

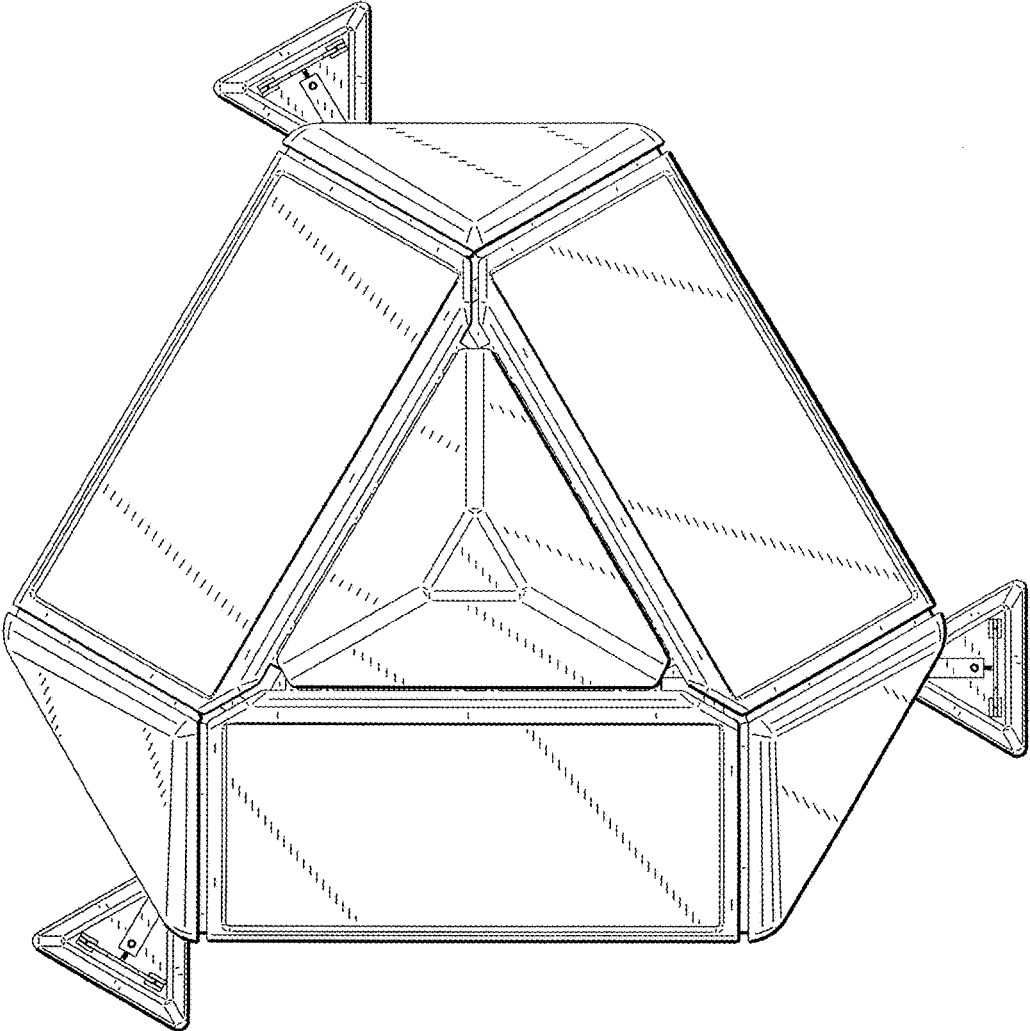


FIG. 6

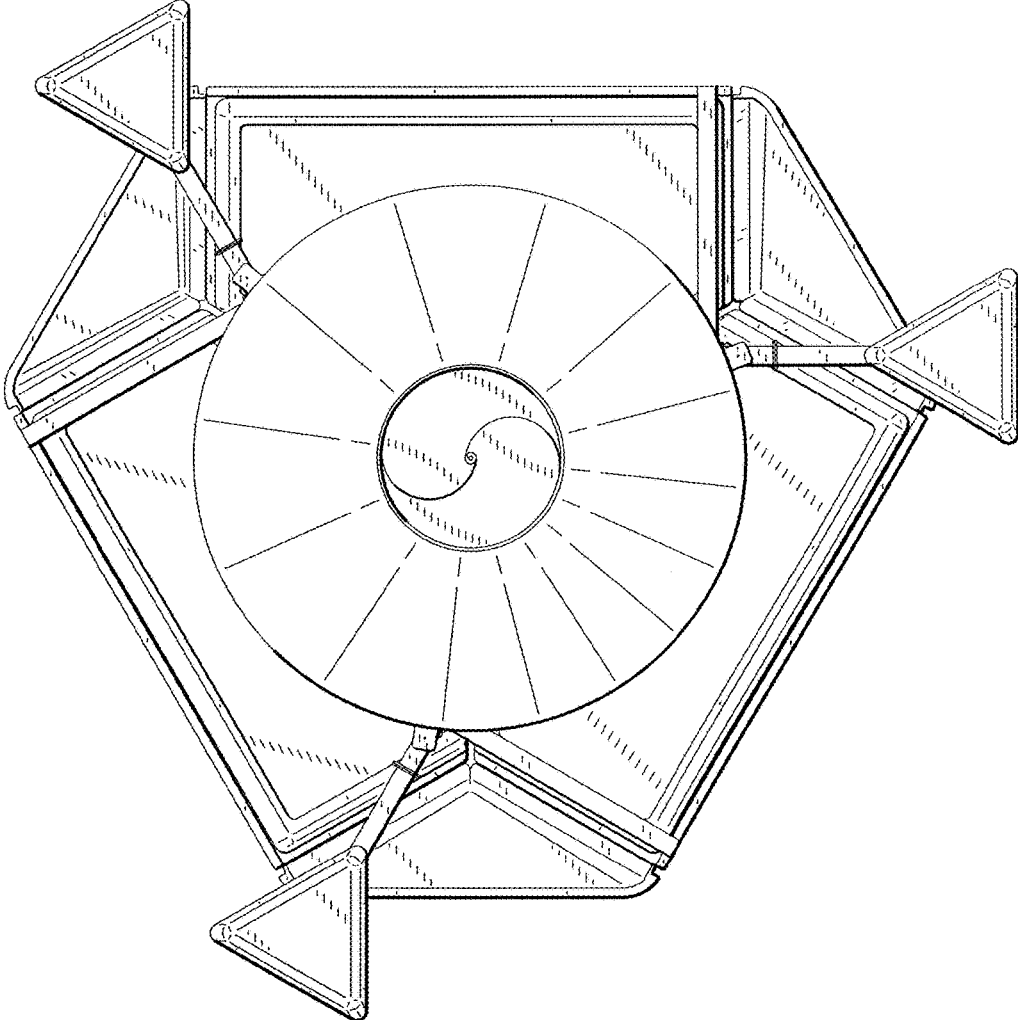


FIG. 7