



US00D486940S

(12) **United States Design Patent**  
**Yiu**

(10) **Patent No.:** **US D486,940 S**

(45) **Date of Patent:** **\*\* Feb. 17, 2004**

(54) **MOUNTING BRACKET FOR PUCK LIGHT**

(76) **Inventor:** **Newman Lau Man Yiu**, 17<sup>th</sup> Floor,  
Room 1710, Regent Center, Tower A,  
63 Wo Yi Hop Road, Kwai Chung (HK)

(\*\*) **Term:** **14 Years**

(21) **Appl. No.:** **29/166,555**

(22) **Filed:** **Aug. 30, 2002**

(51) **LOC (7) Cl.** ..... **26-99**

(52) **U.S. Cl.** ..... **D26/138**

(58) **Field of Search** ..... D26/113, 138;  
362/133, 365, 364, 368, 260

(56) **References Cited**

**U.S. PATENT DOCUMENTS**

|                |         |          |       |         |
|----------------|---------|----------|-------|---------|
| 5,909,955 A *  | 6/1999  | Roorda   | ..... | 362/368 |
| 6,491,413 B1 * | 12/2002 | Benesohn | ..... | 362/373 |
| 6,531,824 B1 * | 3/2003  | Yan      | ..... | 362/260 |

**OTHER PUBLICATIONS**

U.S. patent application Ser. No. 29/166,563, filed Aug. 30, 2002, entitled "Puck Light Fixture".

\* cited by examiner

*Primary Examiner*—Jennifer Rivard

(74) *Attorney, Agent, or Firm*—Merchant & Gould

(57) **CLAIM**

The ornamental design for a mounting bracket for puck light, as shown and described.

**DESCRIPTION**

FIG. 1 is a worm's eye perspective for a new design for a mounting bracket with a bayonette type interlock for attaching a light fixture, shown exploded away in phantom lines, and also shown in phantom lines are stand-offs, or posts, and internal ribs on the bracket, throughout the figures which form no part of the claimed design;

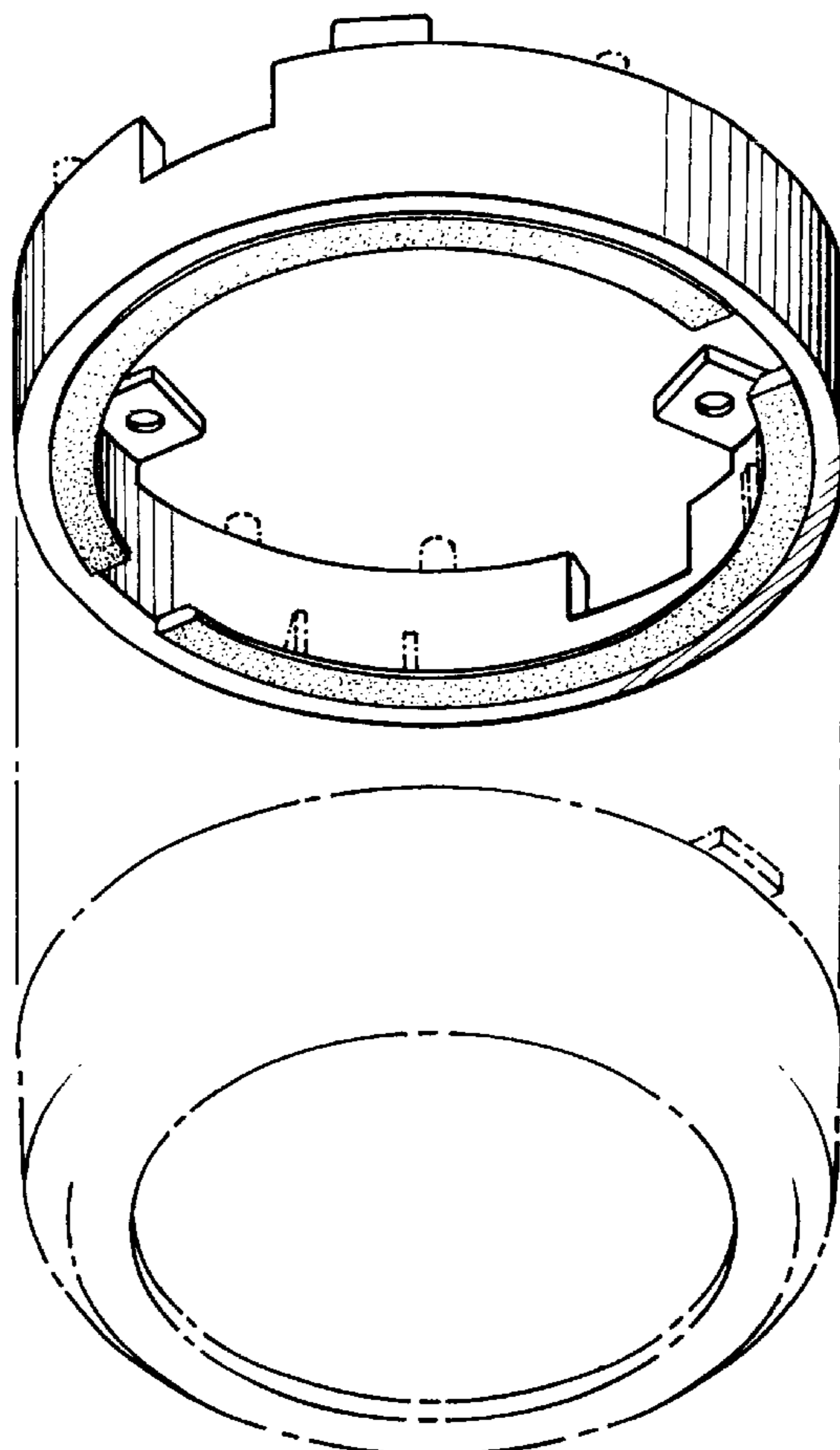
FIG. 2 is a side elevation of the bracket of FIG. 1, again with stand-offs and the light fixture shown in phantom lines which form no part of the claimed design;

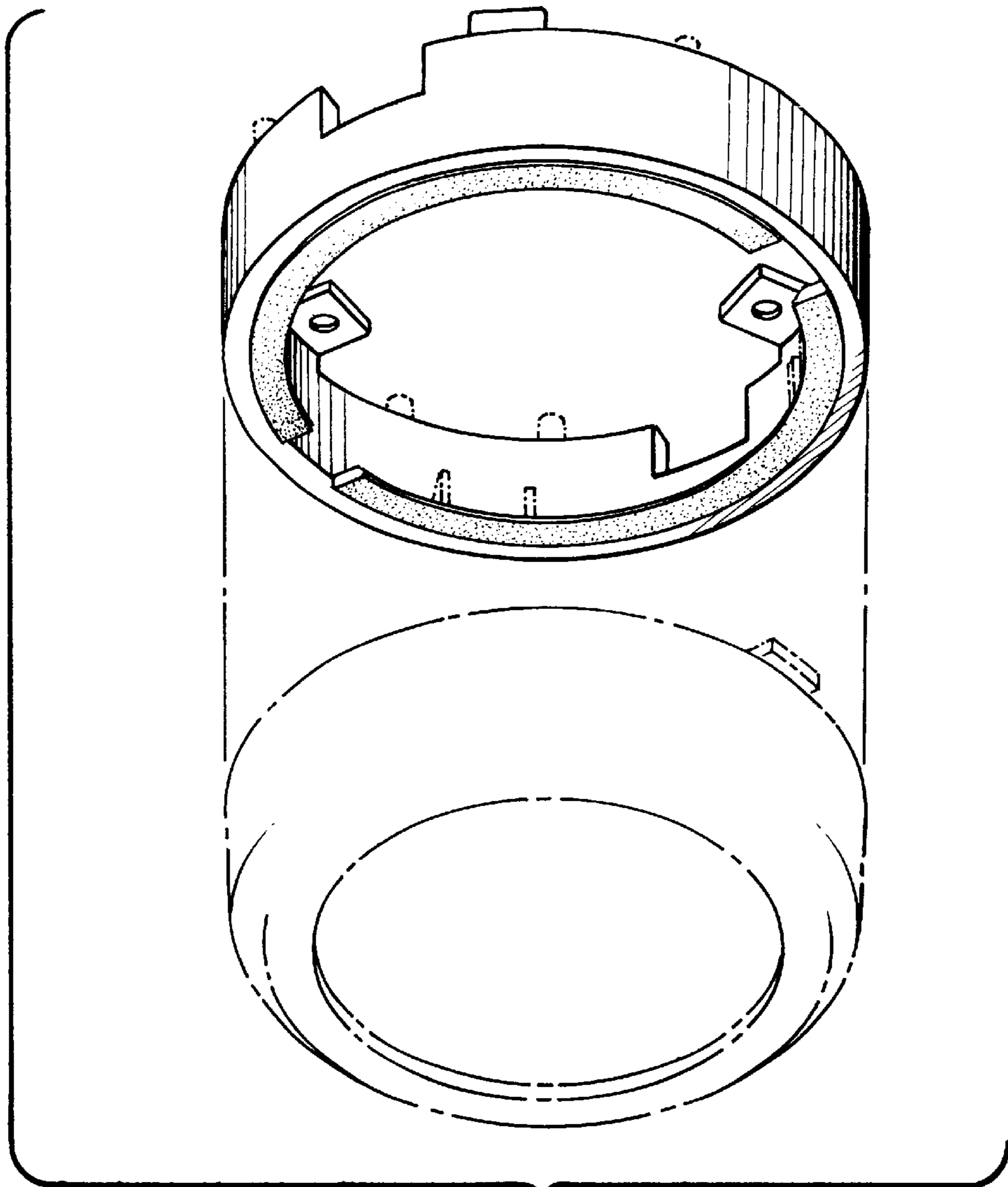
FIG. 3 is a bottom plan or front view of the bracket of FIG. 1;

FIG. 4 is a top plan or back view of the bracket of FIG. 1; and,

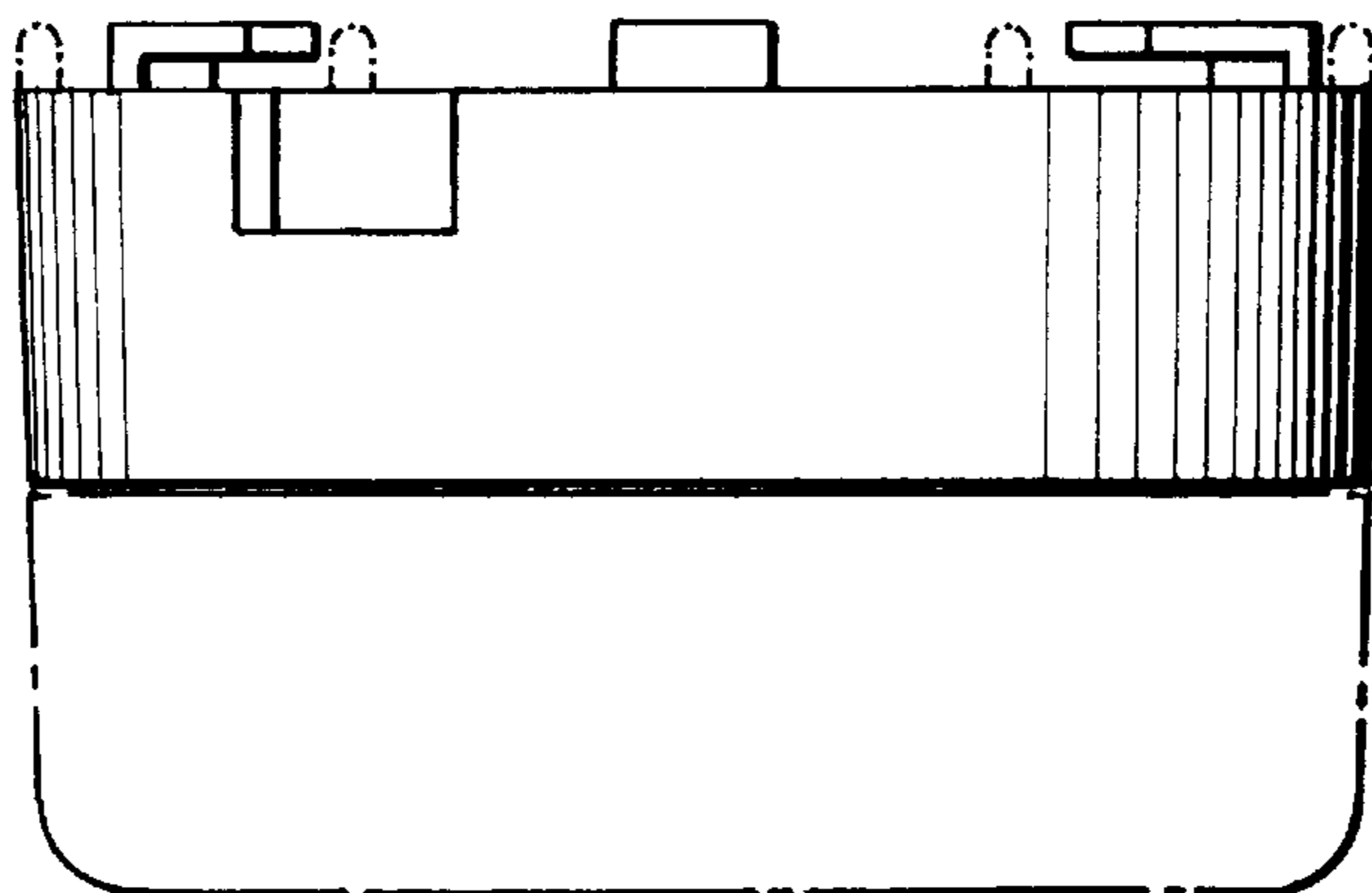
FIG. 5 is a side elevation showing the opposite side of the bracket shown in FIG. 2.

**1 Claim, 2 Drawing Sheets**

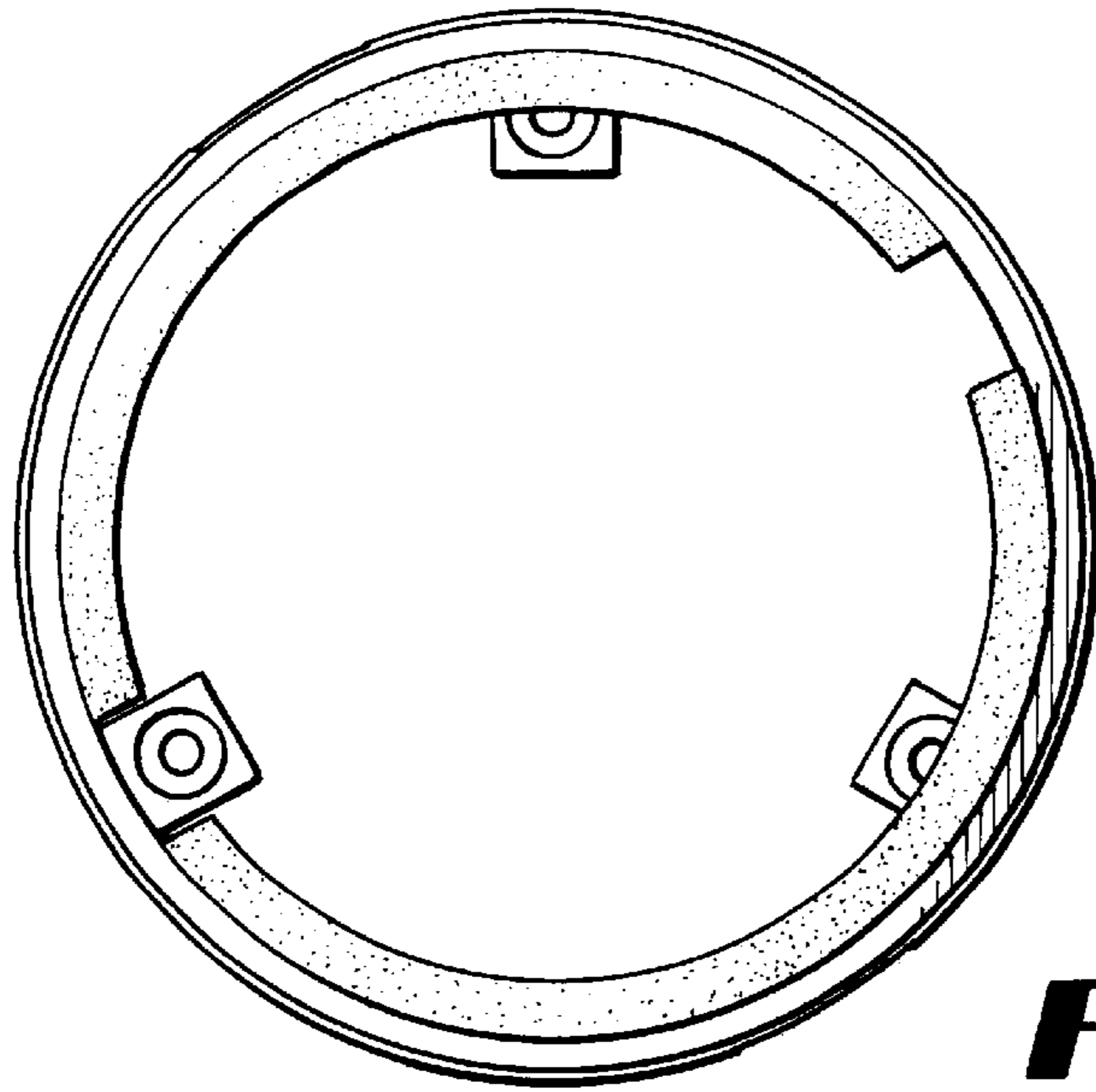




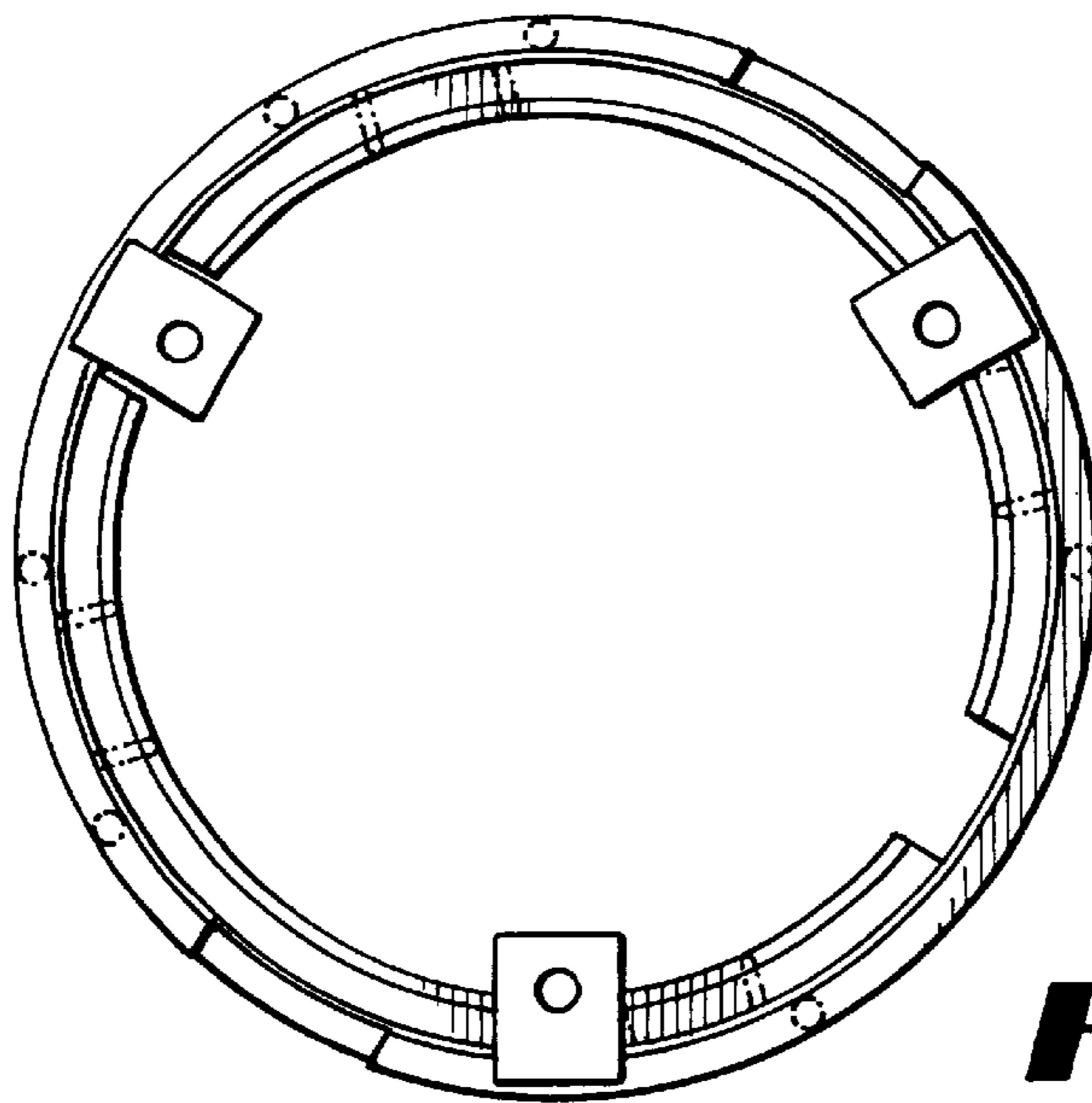
**FIG 1**



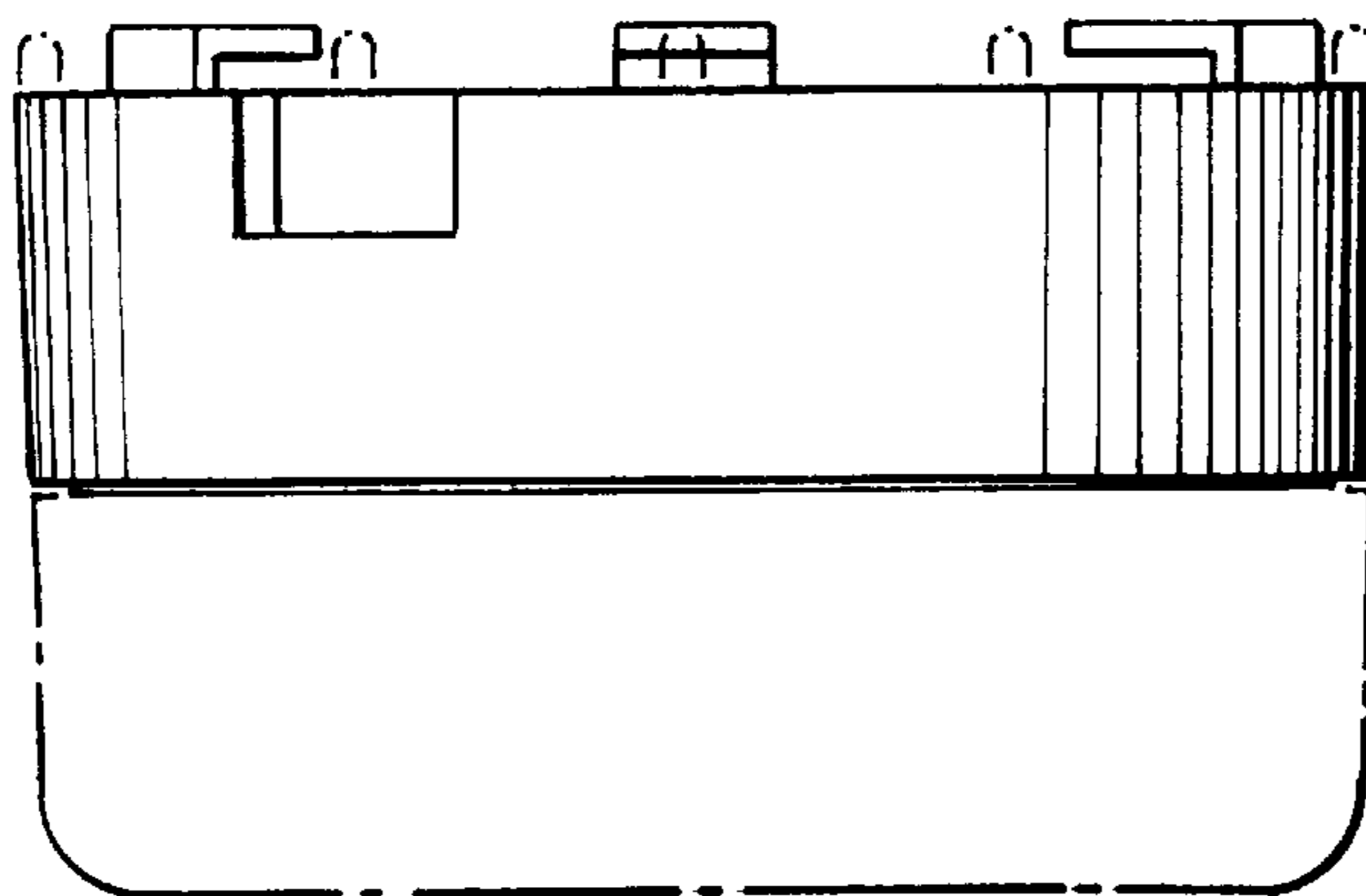
**FIG 2**



**FIG 3**



**FIG 4**



**FIG 5**