



US00D848766S

(12) **United States Design Patent**
Chen

(10) **Patent No.:** **US D848,766 S**

(45) **Date of Patent:** **** May 21, 2019**

- (54) **VANITY CABINET**
- (71) Applicant: **Cambium Business Group, Inc.**,
Buena Park, CA (US)
- (72) Inventor: **Yanxin Chen**, Buena Park, CA (US)
- (73) Assignee: **Cambium Business Group, Inc.**,
Buena Park, CA (US)
- (**) Term: **15 Years**

D229,139	S	*	11/1973	Peckenpaugh	D6/671.1
D258,032	S	*	1/1981	Tebbe	D6/671
D326,967	S	*	6/1992	Bardelang	D13/184
D385,724	S	*	11/1997	Palka	D6/671
D440,427	S	*	4/2001	Melillo	D6/671
D654,721	S	*	2/2012	Sexton	D6/671.1
D722,241	S	*	2/2015	Chen	D6/671.1
8,967,743	B2	*	3/2015	Bernett	A47B 17/00
						312/265.6
D784,736	S	*	4/2017	Chen	D6/671.1
D804,863	S	*	12/2017	Chen	D6/671
2005/0099101	A1	*	5/2005	Lowe	A47B 67/04
						312/228

- (21) Appl. No.: **29/621,023**
- (22) Filed: **Oct. 3, 2017**
- (51) **LOC (11) Cl.** **06-04**
- (52) **U.S. Cl.** **D6/657**
- (58) **Field of Classification Search**
USPC D6/407, 657, 661, 663, 664, 664.1,
D6/668.2, 671, 671.1, 671.4, 675, 675.1,
D6/675.5, 683.1, 691.1, 691.8, 691.9,
D6/702, 703; D14/168, 184; D15/85;
D8/310; D23/342; D13/184
CPC ... A47B 47/024; A47B 87/008; A47B 87/002;
A47B 88/48; A47B 88/90; A47B
2210/19; A47B 47/04; A47B 67/04; A47B
87/00; A47B 88/00; A47B 88/75; A47F
3/0413; A47F 5/116; A47F 5/0018; A47F
9/00; A47F 7/02; Y10T 428/24694; F25D
21/14; F25D 23/069; F25D 2400/10;
E05B 65/463
See application file for complete search history.

* cited by examiner

Primary Examiner — Kevin K Rudzinski
Assistant Examiner — Paul D Bohannon
 (74) *Attorney, Agent, or Firm* — Robert Lauson, Esq.;
 Lauson & Associates

(57) **CLAIM**

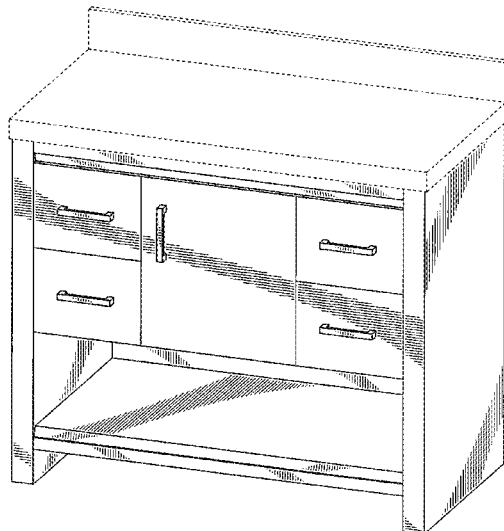
I claim the ornamental design for a vanity cabinet, as shown and described.

DESCRIPTION

FIG. 1 is a perspective view of the vanity cabinet;
 FIG. 2 is a front view thereof;
 FIG. 3 is a left side elevation view of the vanity cabinet with the right side elevation view being a mirror image thereof; and,
 FIG. 4 is a top plan view of the vanity cabinet.
 The broken lines shown are for the purpose of illustrating the environment related to the claimed design and forms no part of the claimed design.
 The bottom and rear of the vanity cabinet form no part of the design.

- (56) **References Cited**
U.S. PATENT DOCUMENTS
D109,999 S * 6/1938 Frasher D23/342
3,317,261 A * 5/1967 Peterson A47B 95/002
312/242

1 Claim, 3 Drawing Sheets



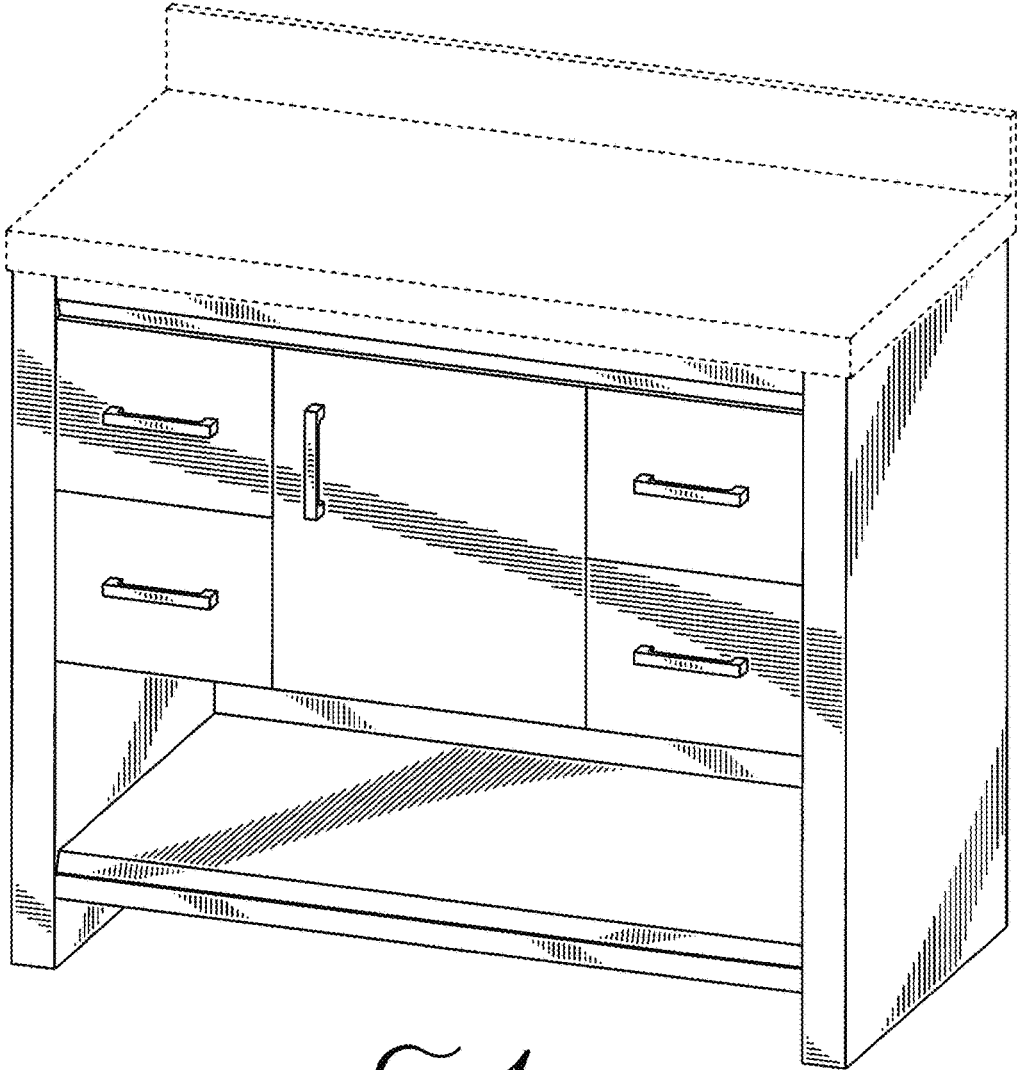


Fig. 1

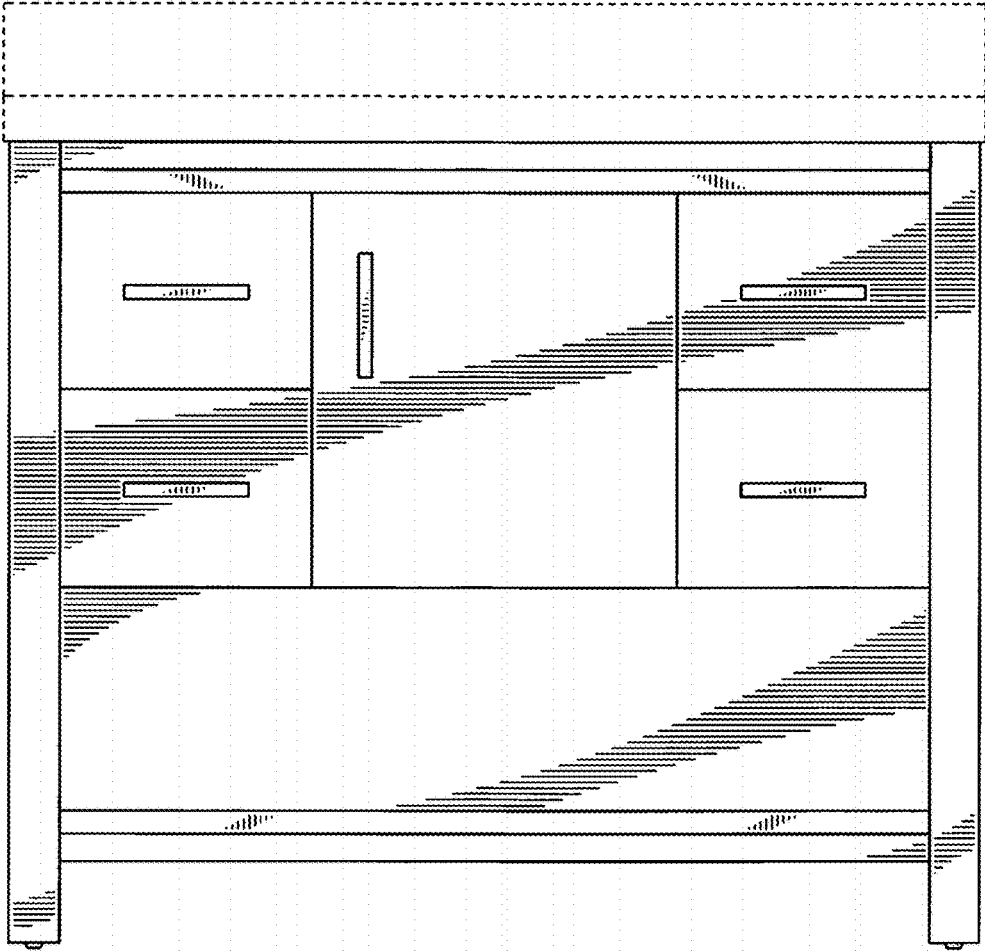


FIG. 2

FIG. 3

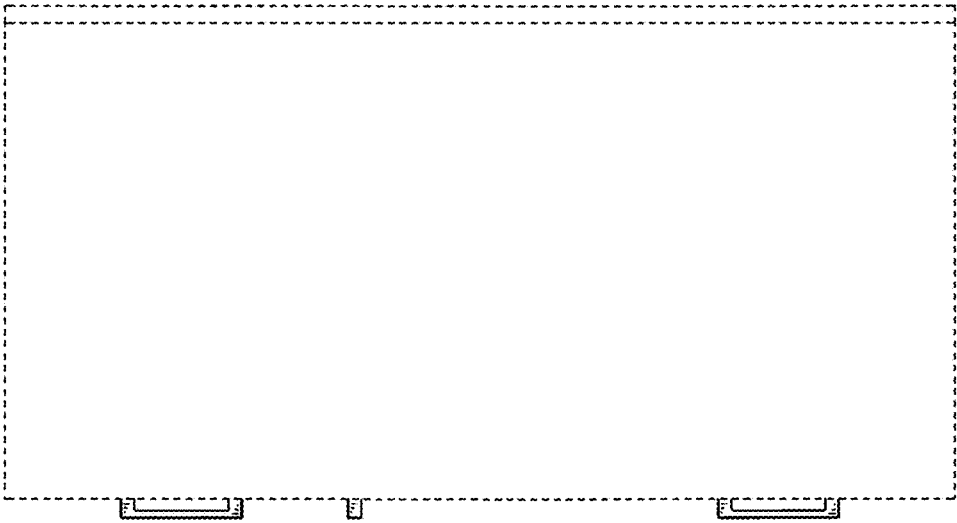
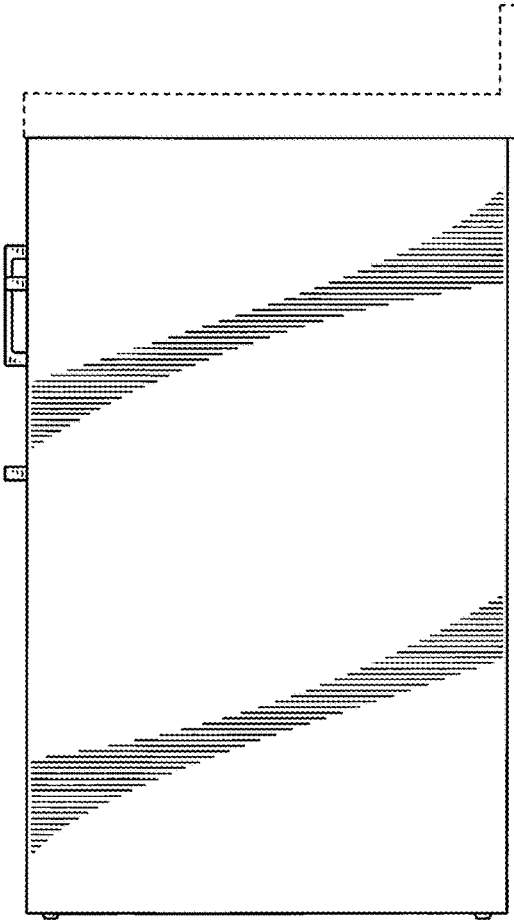


FIG. 4