



(12) **United States Design Patent**
Nifong et al.

(10) **Patent No.:** **US D862,802 S**
(45) **Date of Patent:** **** Oct. 8, 2019**

(54) **HANGER ASSEMBLY FOR A BIRDFEEDER**

(71) Applicant: **Classic Brands, LLC**, Denver, CO (US)

(72) Inventors: **Lindsey Nifong**, Denver, CO (US); **Stephen Combs**, Denver, CO (US); **John Bruno**, Parker, CO (US); **Robert Donegan**, Denver, CO (US); **Bryan Krueger**, Denver, CO (US)

(73) Assignee: **Classic Brands, LLC**, Denver, CO (US)

(**) Term: **15 Years**

(21) Appl. No.: **29/685,921**

(22) Filed: **Apr. 1, 2019**

Related U.S. Application Data

(63) Continuation of application No. 29/653,841, filed on Jun. 19, 2018, now Pat. No. Des. 844,906, which is a continuation of application No. 29/609,258, filed on Jun. 29, 2017, now Pat. No. Des. 821,659.

(51) **LOC (12) Cl.** **30-03**

(52) **U.S. Cl.**
USPC **D30/124**; D30/127

(58) **Field of Classification Search**
USPC D30/121, 124, 126-129, 133, 199, D30/110-112, 123, 125; 119/52.2, 51.5, 119/61.5, 57.8, 57.9, 52.3, 61.1, 531, 63, 119/428-435, 52.4, 55, 61.3, 69.5, 75, 76; 47/67, 83; 248/318; D11/164, 152; 211/128.1; D27/123; D6/495, 460, 461, D6/476, 405; D26/67
CPC A01K 39/00; A01K 39/01; A01K 39/0106; A01K 39/0113; A01K 39/012; A01K 39/014; A01K 39/04; A01K 39/06; A01K 3/00; A01K 31/12; A01K

31/14; A47G 7/044; A47G 7/045; A47G 7/047; F16M 13/02; F16M 13/022
See application file for complete search history.

(56) **References Cited**

U.S. PATENT DOCUMENTS

- 4,355,597 A * 10/1982 Blasbalg A01K 39/012 119/57.8
- 4,901,673 A * 2/1990 Overstreet A01K 39/00 119/72
- D367,737 S * 3/1996 McNaughton 248/318
- 6,539,892 B1 * 4/2003 Bescherer A01K 39/0113 119/52.1
- 6,647,921 B2 * 11/2003 Stokes A01K 39/0113 119/429

(Continued)

Primary Examiner — Susan Moon Lee

(74) *Attorney, Agent, or Firm* — Polsinelli PC

(57) **CLAIM**

The ornamental design for a hanger assembly for a birdfeeder, as shown and described.

DESCRIPTION

FIG. 1 is an isometric view of a hanger assembly for a birdfeeder showing our new design with other portions of a birdfeeder.

FIG. 2 is an isometric view of the hanger assembly for a birdfeeder.

FIG. 3 is a bottom perspective view thereof.

FIG. 4 is a side view thereof.

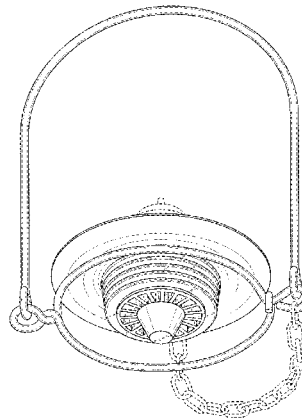
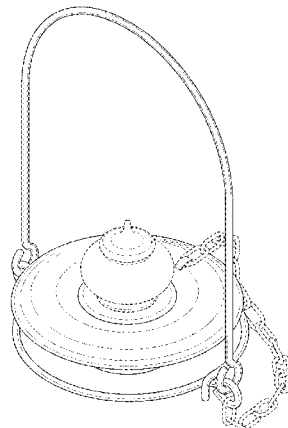
FIG. 5 is a front view thereof.

FIG. 6 is a top view thereof; and,

FIG. 7 is a bottom view thereof.

The broken lines in the Figures show environment forming no part of the claimed design or show portions of the hanger assembly for a birdfeeder that form no part of the claimed design. The shade lines in the Figures show contour and do not claim surface ornamentation or treatment.

1 Claim, 7 Drawing Sheets



(56)

References Cited

U.S. PATENT DOCUMENTS

7,258,075 B1 * 8/2007 Jones A01K 39/0113
119/57.9
7,261,055 B2 * 8/2007 Nock A01K 39/00
119/51.01
D585,625 S * 1/2009 Gray D99/5
D683,909 S * 6/2013 Muhr D30/124
D698,100 S * 1/2014 Muhr D30/124
D713,101 S * 9/2014 Bruno D30/127
D744,172 S * 11/2015 Donegan D30/127
D788,381 S * 5/2017 Krueger D30/125
D788,382 S * 5/2017 Krueger D30/125
D821,659 S * 6/2018 Nifong D30/124
D821,660 S * 6/2018 Nifong D30/124
2001/0032592 A1 * 10/2001 Bescherer A01K 39/0106
119/51.01
2006/0016400 A1 * 1/2006 Rich A01K 39/012
119/57.8
2007/0221133 A1 * 9/2007 Richmond A01K 39/012
119/72
2007/0227453 A1 * 10/2007 Puckett A01K 39/012
119/57.8
2008/0251025 A1 * 10/2008 Guay A01K 39/0206
119/78
2011/0083609 A1 * 4/2011 Cote A01K 39/012
119/52.2
2012/0234249 A1 * 9/2012 Gaze A01K 39/012
119/57.8
2015/0122186 A1 * 5/2015 Donegan A01K 39/0113
119/51.5

* cited by examiner

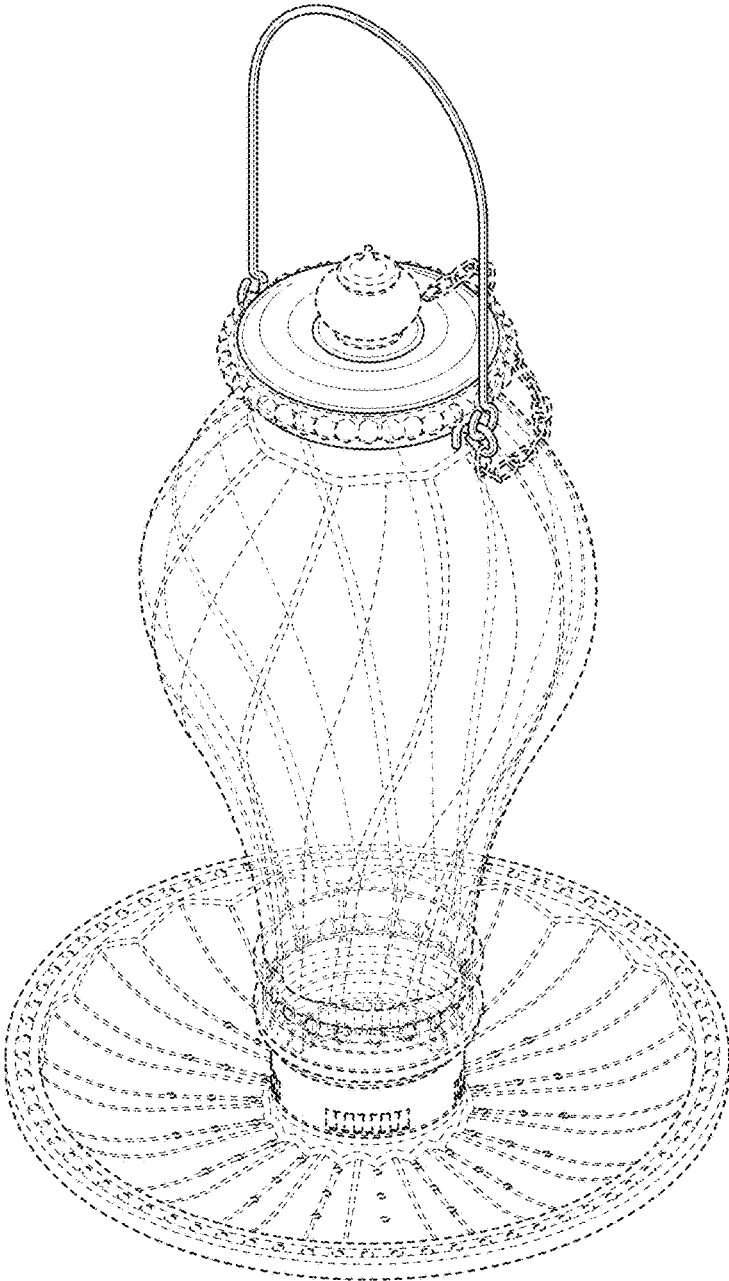


FIG. 1

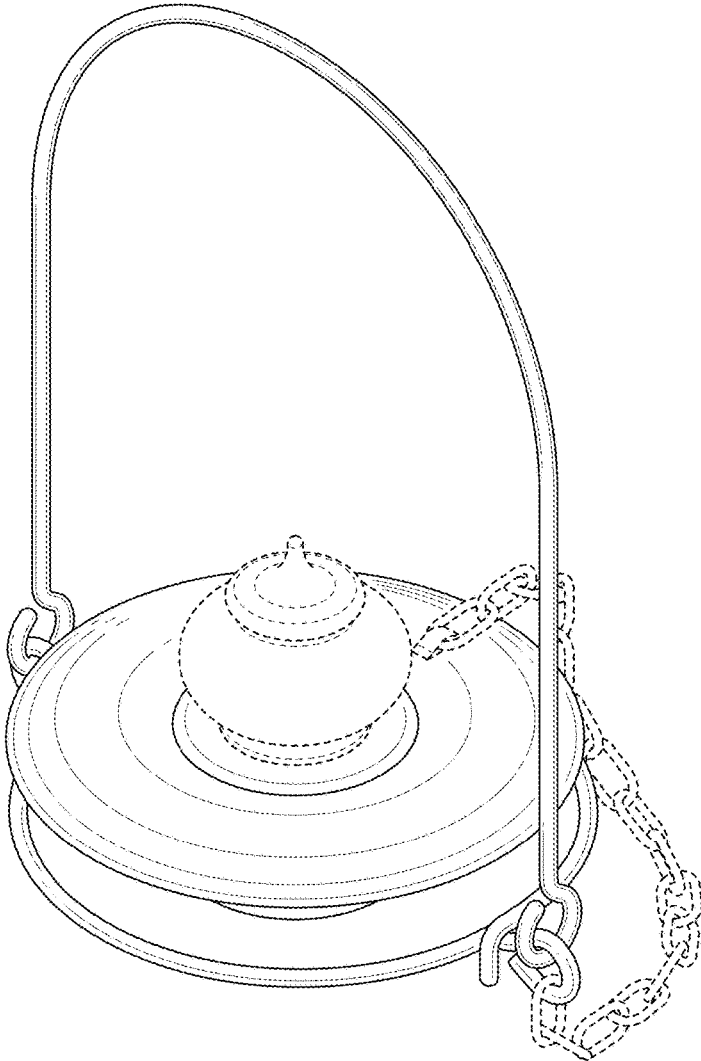


FIG. 2

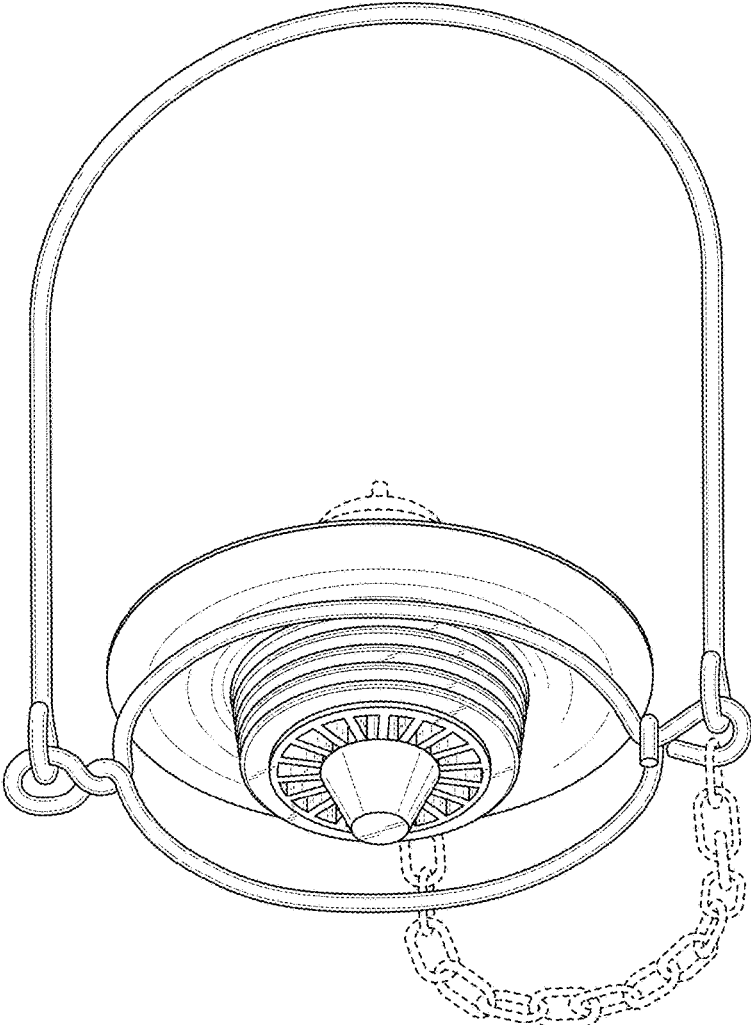


FIG. 3

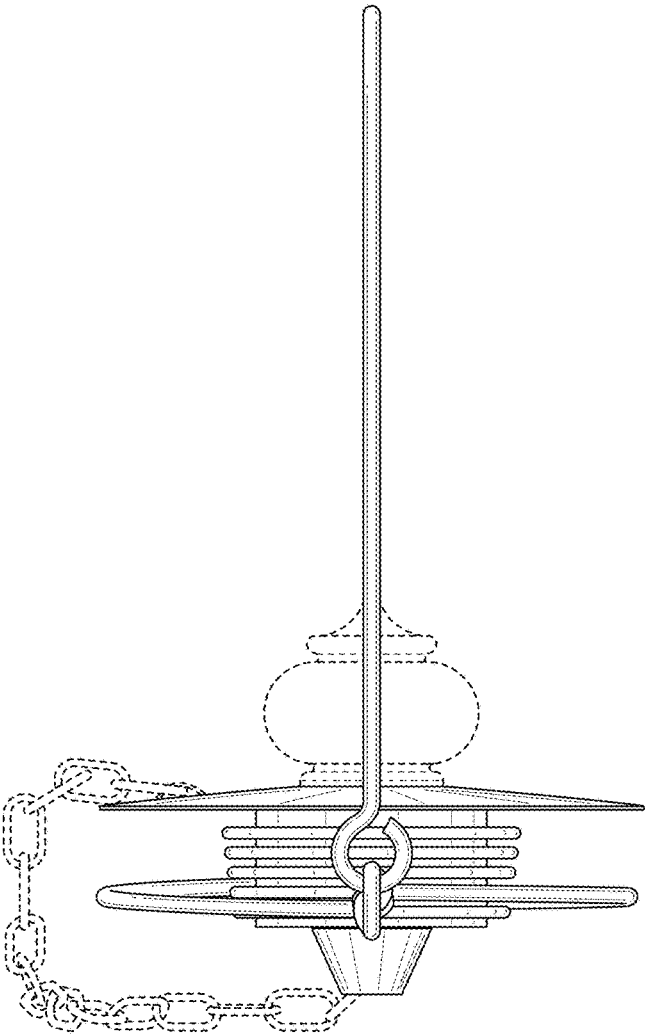


FIG. 4

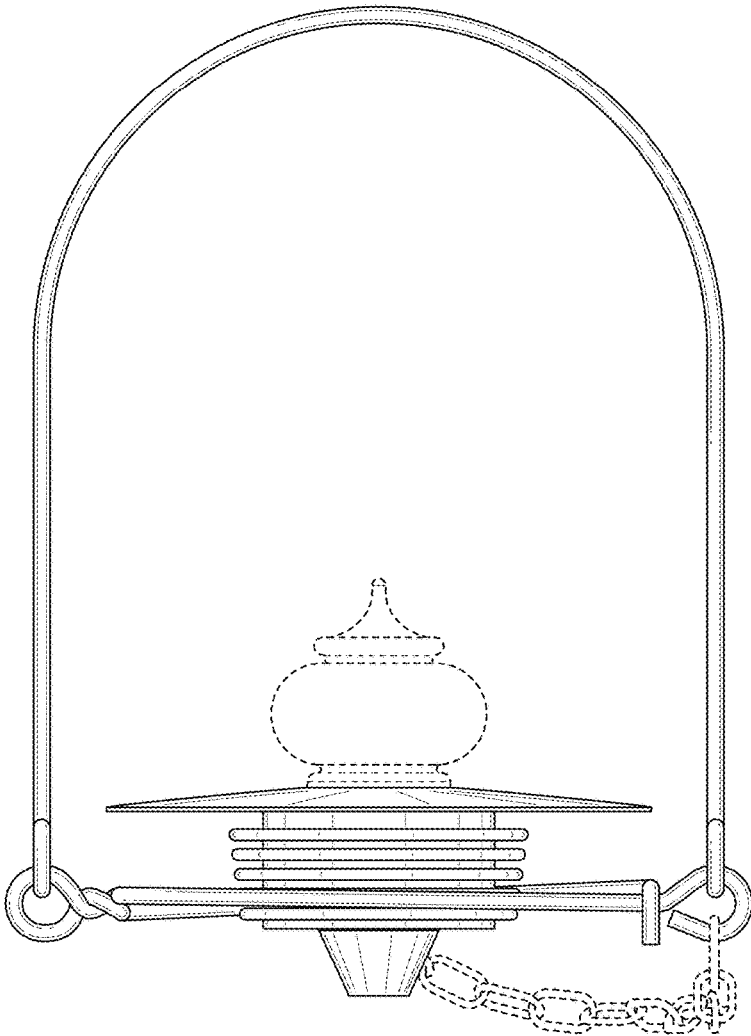


FIG. 5

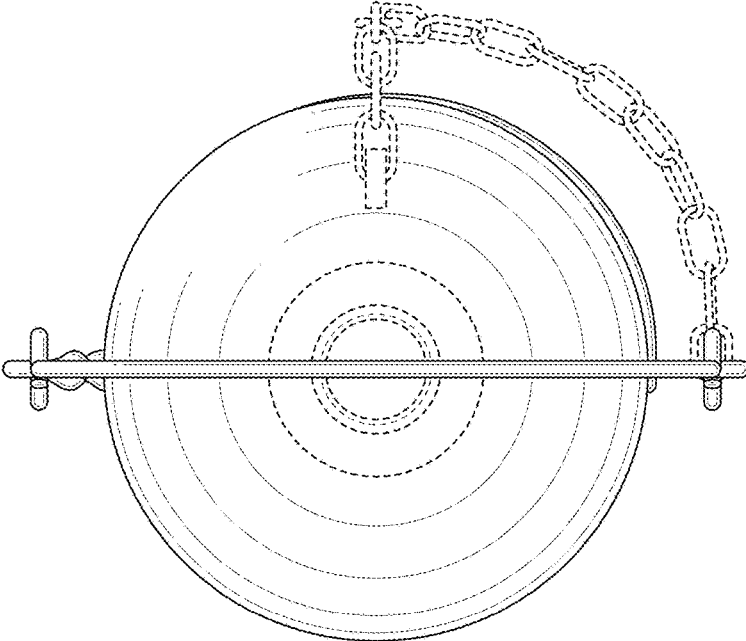


FIG. 6

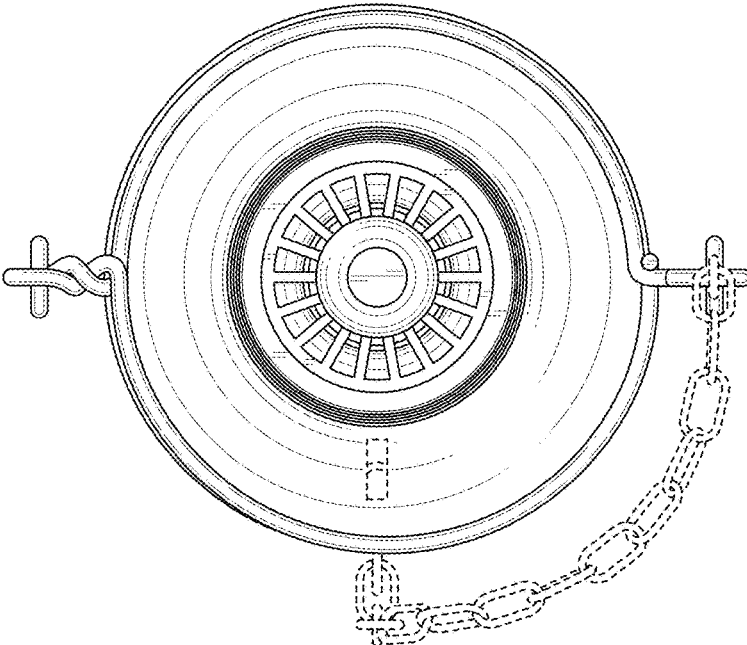


FIG. 7