



US00D717351S

(12) **United States Design Patent**
Burca

(10) **Patent No.:** **US D717,351 S**

(45) **Date of Patent:** **** Nov. 11, 2014**

(54) **PILOT DRILL BIT**

(71) Applicant: **Dennis Burca**, Calgary (CA)

(72) Inventor: **Dennis Burca**, Calgary (CA)

(**) Term: **14 Years**

(21) Appl. No.: **29/479,597**

(22) Filed: **Jan. 17, 2014**

(51) **LOC (10) Cl.** **15-09**

(52) **U.S. Cl.**
USPC **D15/139**

(58) **Field of Classification Search**
USPC D8/70, 71; D15/131, 132, 138, 139,
D15/140; 76/102, 115; 83/845; 403/331,
403/381; 407/9, 33, 34, 42, 54, 63, 110,
407/113-115; 408/214, 215, 222, 223,
408/226-230; 433/72, 165; 470/198;
606/80

See application file for complete search history.

(56) **References Cited**

U.S. PATENT DOCUMENTS

2,915,925 A * 12/1959 Nipken 408/113
5,322,139 A * 6/1994 Rose et al. 175/414
5,743,345 A * 4/1998 Hollar et al. 175/401

5,975,222 A * 11/1999 Holte 175/273
7,389,833 B2 * 6/2008 Walker et al. 175/413
7,419,017 B2 * 9/2008 Walker et al. 175/414
D700,922 S * 3/2014 Burca D15/139
D710,174 S * 8/2014 Moss D8/70
2006/0027399 A1 * 2/2006 Holte et al. 175/57
2007/0095576 A1 * 5/2007 Walker et al. 175/327
2010/0243333 A1 * 9/2010 Purcell 175/414

* cited by examiner

Primary Examiner — Patricia Palasik

(57) **CLAIM**

The ornamental design for a pilot drill bit, as shown and described.

DESCRIPTION

FIG. 1 is a left side elevation view of the present design, pilot drill bit.

FIG. 2 is a rear end elevation view of the present design, pilot drill bit.

FIG. 3 is a rear left side perspective view of the present design, pilot drill bit; and,

FIG. 4 is a front right side perspective view of the present design, pilot drill bit.

The broken lines in the drawings depict unclaimed subject matter.

1 Claim, 3 Drawing Sheets

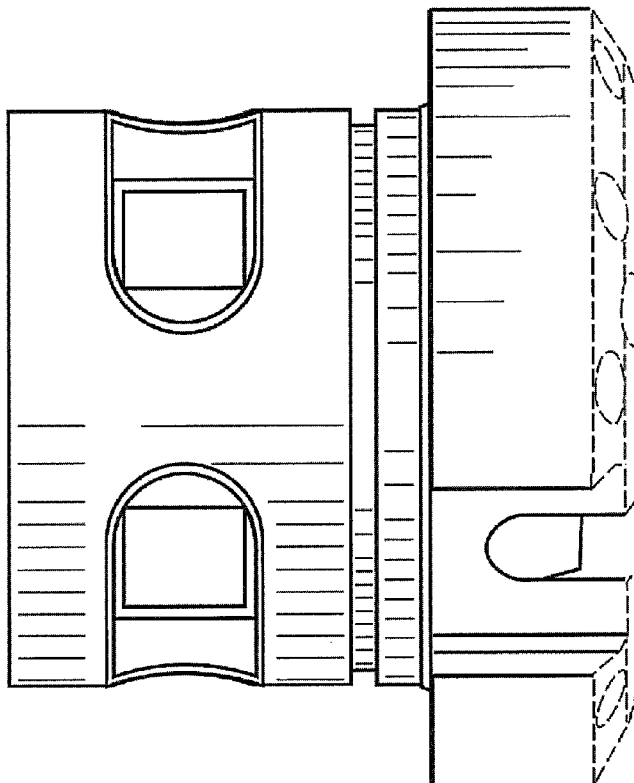


FIG. - 1

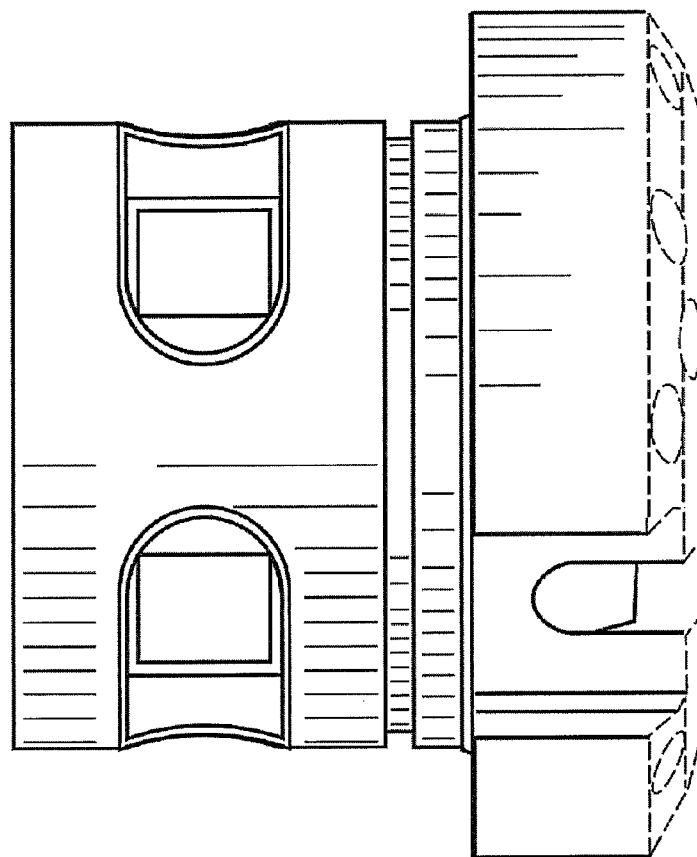


Fig. - 2

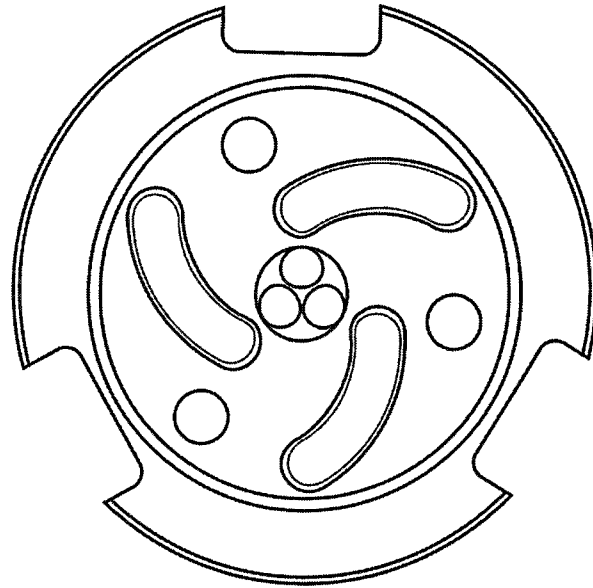


Fig. - 3

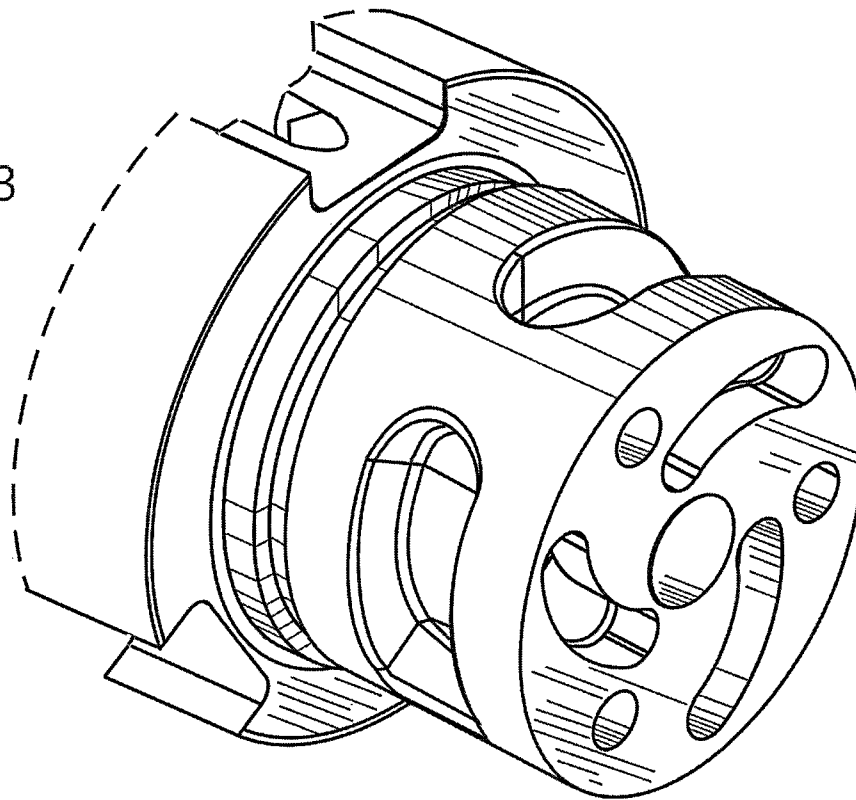


Fig. - 4

