



US00D650481S

(12) **United States Design Patent**  
**Gottlieb et al.**

(10) **Patent No.:** **US D650,481 S**

(45) **Date of Patent:** **\*\* Dec. 13, 2011**

(54) **INTERVERTEBRAL BODY FUSION  
IMPLANT DEVICE**

(76) Inventors: **Jamie Gottlieb**, Granger, IN (US);  
**David Janice**, Austin, TX (US)

(\*\*) Term: **14 Years**

(21) Appl. No.: **29/373,871**

(22) Filed: **Jun. 2, 2011**

(51) **LOC (9) Cl.** ..... **24-03**

(52) **U.S. Cl.** ..... **D24/155**

(58) **Field of Classification Search** ..... D24/155;  
606/61, 69; 623/17.15, 17.16; 604/500

See application file for complete search history.

(56) **References Cited**

**U.S. PATENT DOCUMENTS**

6,241,771	B1 *	6/2001	Gresser et al.	.....	623/17.16
7,077,866	B2 *	7/2006	Gresser et al.	.....	623/17.16
D580,551	S *	11/2008	Cohen	.....	D24/155
D616,546	S *	5/2010	Vraney et al.	.....	D24/155
D619,255	S *	7/2010	Richter et al.	.....	D24/155
D620,111	S *	7/2010	Courtney et al.	.....	D24/155
D623,747	S *	9/2010	Horton	.....	D24/155
D623,749	S *	9/2010	Horton et al.	.....	D24/155
D627,466	S *	11/2010	Courtney et al.	.....	D24/155

\* cited by examiner

*Primary Examiner* — Ian Simmons

*Assistant Examiner* — Charles Hanson

(74) *Attorney, Agent, or Firm* — David O. Simmons

(57) **CLAIM**

The ornamental design for an intervertebral body fusion implant device, as shown and described.

**DESCRIPTION**

FIG. 1 is a left-side frontal top perspective view of an intervertebral body infusion implant device showing our new design;

FIG. 2 is a right side bottom rear perspective view thereof;

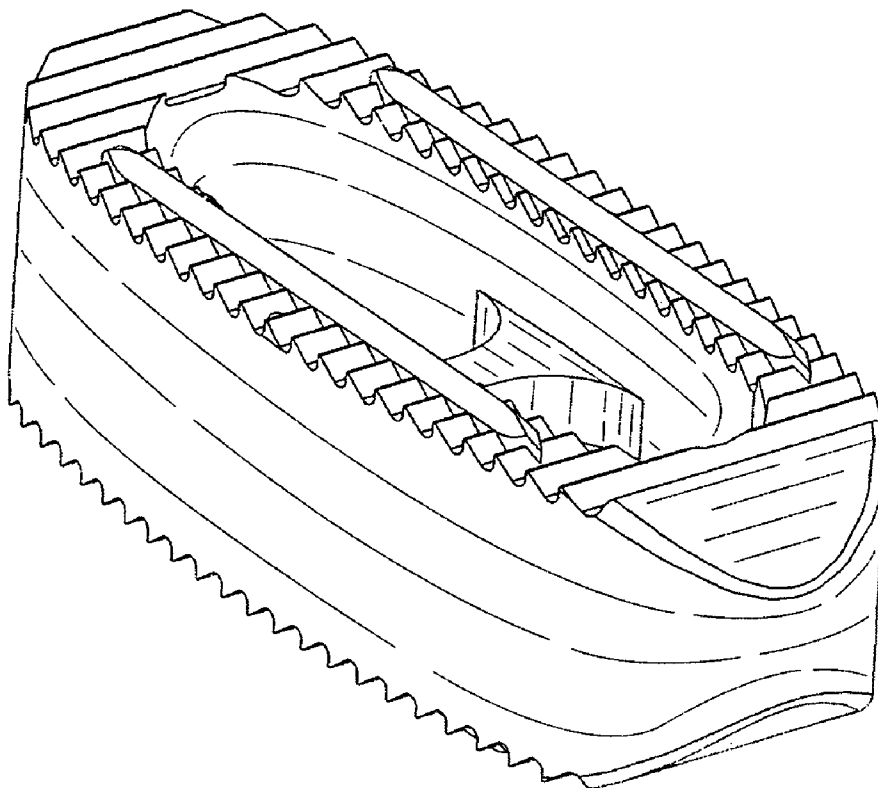
FIG. 3 is a front view of the intervertebral body fusion implant device of FIG. 1;

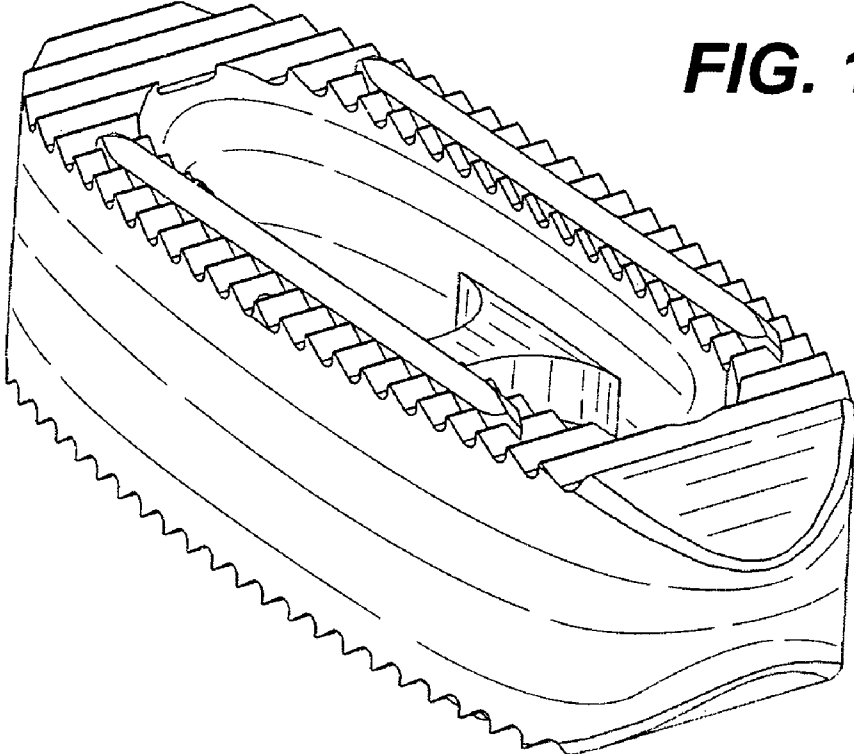
FIG. 4 is a rear view of the intervertebral body fusion implant device of FIG. 1;

FIG. 5 is a left side view of the intervertebral body fusion implant device of FIG. 1, a right side view of the intervertebral body fusion implant device being a mirror image thereof; and,

FIG. 6 is a top view of the intervertebral body fusion implant device of FIG. 1, a bottom view of the intervertebral body fusion implant device being a mirror image thereof.

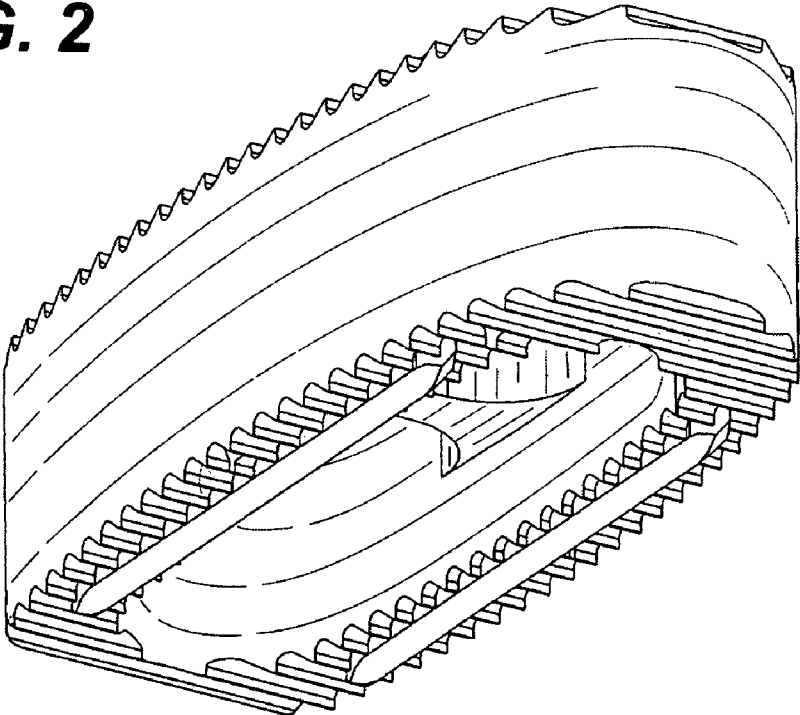
**1 Claim, 2 Drawing Sheets**

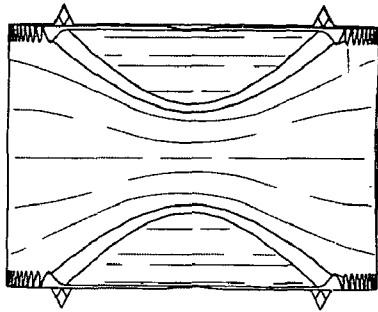




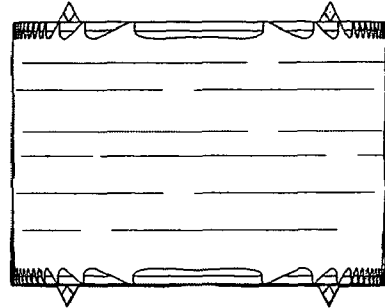
**FIG. 1**

**FIG. 2**



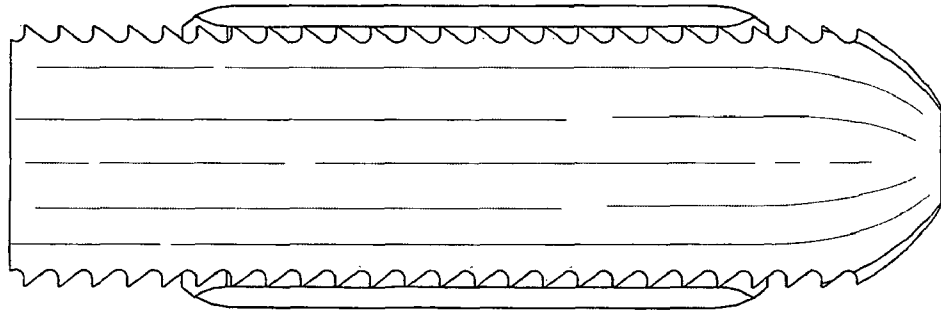


**FIG. 3**



**FIG. 4**

**FIG. 5**



**FIG. 6**

