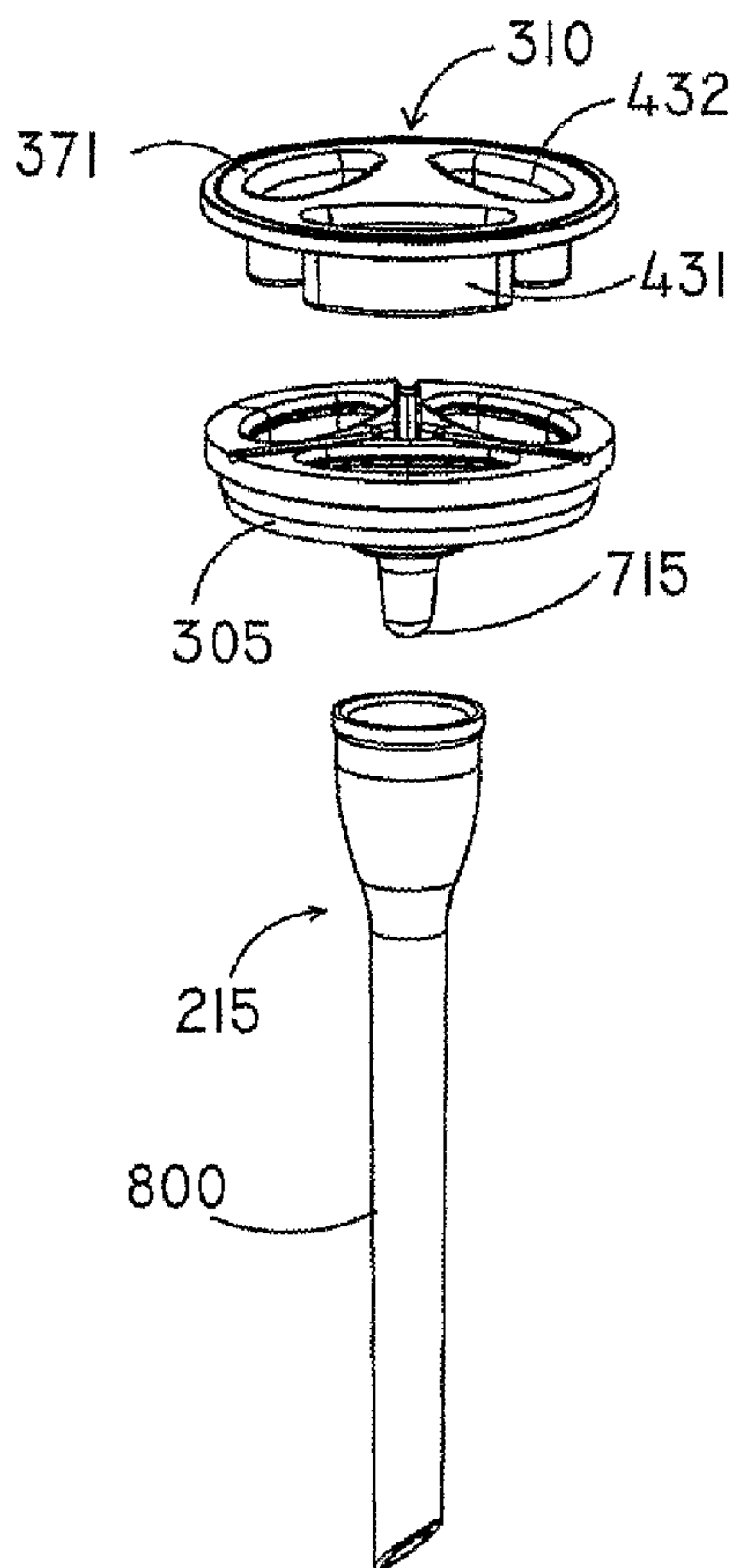




(86) Date de dépôt PCT/PCT Filing Date: 2005/03/17  
 (87) Date publication PCT/PCT Publication Date: 2005/09/29  
 (45) Date de délivrance/Issue Date: 2013/10/01  
 (85) Entrée phase nationale/National Entry: 2006/09/18  
 (86) N° demande PCT/PCT Application No.: IL 2005/000309  
 (87) N° publication PCT/PCT Publication No.: 2005/089060  
 (30) Priorités/Priorities: 2004/03/19 (US60/554,604);  
 2004/07/06 (US60/585,782); 2004/07/06 (US60/585,704);  
 2004/09/14 (US60/609,790); 2004/10/08 (US60/617,375)

(51) Cl.Int./Int.Cl. *B65D 51/16* (2006.01)  
 (72) Inventeurs/Inventors:  
 TIROSH, TAMIR, IL;  
 BERKOVITCH, AMIKAM, GB  
 (73) Propriétaire/Owner:  
 CORALINDA TRADING CORP, CH  
 (74) Agent: BULL, HOUSSER & TUPPER LLP

(54) Titre : SYSTEME D'EVENT DE CONTENANT POUR BOISSONS ET PROCEDE ASSOCIE  
 (54) Title: DRINKING CONTAINER VENT SYSTEM AND METHOD



(57) Abrégé/Abstract:

The present invention relates to a drinking apparatus including a vent system that removably connects to a drinking container. The vent system is used to form a variety of leak free and essentially vacuum-free drinking containers. The vent system, includes a



(57) **Abrégé(suite)/Abstract(continued):**

closure member and a valve, and may be used with an anti-bubble tube. The closure member may be a single member or may be formed of two portions. The valve may be coupled thereto or integrally formed therewith. The anti-bubble tube and valve function as a diving bell to generally prevent liquid from entering the anti-bubble tube.

## (12) INTERNATIONAL APPLICATION PUBLISHED UNDER THE PATENT COOPERATION TREATY (PCT)

(19) World Intellectual Property  
Organization  
International Bureau



(43) International Publication Date  
29 September 2005 (29.09.2005)

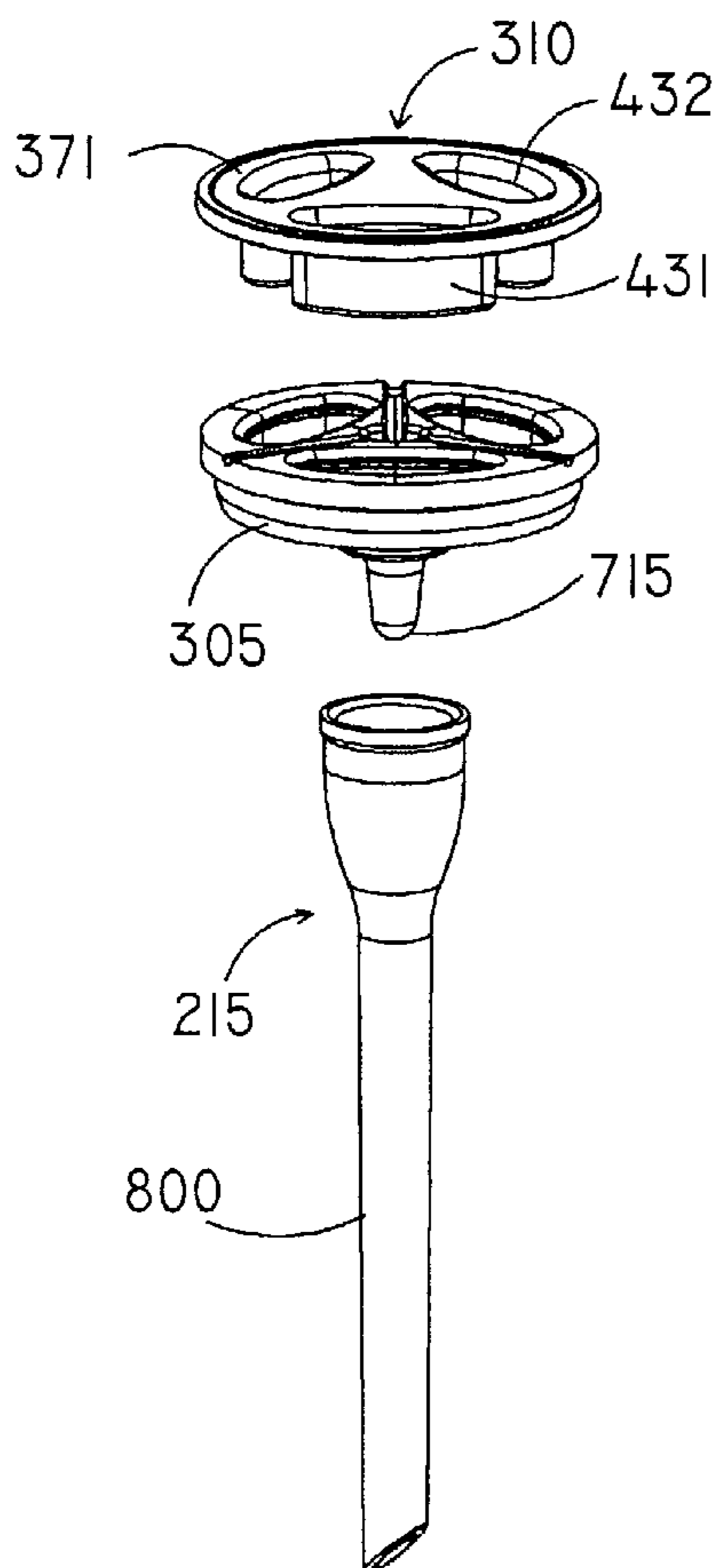
PCT

(10) International Publication Number  
**WO 2005/089060 A3**

- (51) International Patent Classification<sup>7</sup>: **B65D 51/16**
- (21) International Application Number: PCT/IL2005/000309
- (22) International Filing Date: 17 March 2005 (17.03.2005)
- (25) Filing Language: English
- (26) Publication Language: English
- (30) Priority Data:
- |            |                                |    |
|------------|--------------------------------|----|
| 60/554,604 | 19 March 2004 (19.03.2004)     | US |
| 60/585,704 | 6 July 2004 (06.07.2004)       | US |
| 60/585,782 | 6 July 2004 (06.07.2004)       | US |
| 60/609,790 | 14 September 2004 (14.09.2004) | US |
| 60/617,375 | 8 October 2004 (08.10.2004)    | US |
- (71) Applicants and  
(72) Inventors: **TIROSH, Tamir** [IL/IL]; P.O. Box 83, IL-14945 Menahemia (IL). **BERKOVITCH, Amikam** [GB/GB]; 2, Emmet Close, Shenley, Hertfordshire, WD7 9LG (GB).
- (74) Agent: **BLUM, David**; Blum, Gador & Co., 53, Derech HaShalom, Havered Tower (23rd Floor), IL-53454 Gi-vatayim (IL).
- (81) Designated States (*unless otherwise indicated, for every kind of national protection available*): AE, AG, AL, AM, AT, AU, AZ, BA, BB, BG, BR, BW, BY, BZ, CA, CH, CN, CO, CR, CU, CZ, DE, DK, DM, DZ, EC, EE, EG, ES, FI, GB, GD, GE, GH, GM, HR, HU, ID, IL, IN, IS, JP, KE, KG, KP, KR, KZ, LC, LK, LR, LS, LT, LU, LV, MA, MD, MG, MK, MN, MW, MX, MZ, NA, NI, NO, NZ, OM, PG, PH, PL, PT, RO, RU, SC, SD, SE, SG, SK, SL, SM, SY, TJ, TM, TN, TR, TT, TZ, UA, UG, US, UZ, VC, VN, YU, ZA, ZM, ZW.

[Continued on next page]

(54) Title: DRINKING CONTAINER VENT SYSTEM AND METHOD



(57) Abstract: The present invention relates to a drinking apparatus including a vent system that removably connects to a drinking container. The vent system is used to form a variety of leak free and essentially vacuum-free drinking containers. The vent system, includes a closure member and a valve, and may be used with an anti-bubble tube. The closure member may be a single member or may be formed of two portions. The valve may be coupled thereto or integrally formed therewith. The anti-bubble tube and valve function as a diving bell to generally prevent liquid from entering the anti-bubble tube.

WO 2005/089060 A3

**WO 2005/089060 A3**

- (84) **Designated States** (*unless otherwise indicated, for every kind of regional protection available*): ARIPO (BW, GH, GM, KE, LS, MW, MZ, NA, SD, SL, SZ, TZ, UG, ZM, ZW), Eurasian (AM, AZ, BY, KG, KZ, MD, RU, TJ, TM), European (AT, BE, BG, CH, CY, CZ, DE, DK, EE, ES, FI, FR, GB, GR, HU, IE, IS, IT, LT, LU, MC, NL, PL, PT, RO, SE, SI, SK, TR), OAPI (BF, BJ, CF, CG, CI, CM, GA, GN, GQ, GW, ML, MR, NE, SN, TD, TG).

**Published:**

- *with international search report*

- *before the expiration of the time limit for amending the claims and to be republished in the event of receipt of amendments*

- (88) **Date of publication of the international search report:**  
27 October 2005

*For two-letter codes and other abbreviations, refer to the "Guidance Notes on Codes and Abbreviations" appearing at the beginning of each regular issue of the PCT Gazette.*

## DRINKING CONTAINER VENT SYSTEM AND METHOD

This Application claims the benefit of United States Provisional Patent Application No. 60/554,604 filed March 19, 2004; United States Provisional Patent Application No. 60/585,782  
5 filed July 6, 2004; United States Provisional Patent Application No. 60/585,704 filed July 6, 2004; United States Provisional Patent Application No. 60/609,790 filed September 14, 2004; and United States Provisional Patent Application No. 60/617,375 filed October 8, 2004.

### Field of the Invention

The present invention relates to a drinking container, a drinking apparatus, and methods  
10 of providing flow through the containers and apparatus for use with leak free and essentially vacuum-free toddler drinking cups and baby bottles.

### Description of Related Art

Specialized baby bottles are manufactured with features that are designed to attempt to reduce colic symptoms in infants from zero months to approximately four months. Notably,  
15 United States Patent Nos. 5,570,796 and 5,779,071 state that their designs eliminate the mixing of air into the formula as this increases the risk of colic symptoms.

The apparatus described in United States Patent Nos. 5,570,796 and 5,779,071 includes a reservoir having a reservoir tube in combination with a liquid trap. An insert used in conjunction with the reservoir provides passage for air from the exterior of a bottle to the interior of the  
20 bottle. When the bottle incorporating the features of these patents is fully inverted, the liquid trap contains the liquid from inside the reservoir tube, and prevents the liquid from entering an opening of the insert since the opening of the insert is above the level of the liquid contained in

the liquid trap. It is important to note that the volume of the liquid trap is larger than the volume of the reservoir tube, and thus, the liquid may be fully contained in the liquid trap under a narrow window of operating conditions.

Unfortunately, the apparatus described in United States Patent Nos. 5,570,796 and  
5 5,779,071 suffers from leakage when the bottle is overfilled since then the reservoir tube and the liquid trap described therein becomes filled with liquid beyond the capacity of the liquid trap allowing liquid to enter the insert and eventually to the exterior of the bottle. Additionally, the apparatus described in these patents suffers from leakage when the bottle is squeezed or the nipple attached to the bottle is squeezed. Further, the bottles described in these patents will leak  
10 when the bottle is shaken to mix a formula, if the liquid is heated to above 45°C, or if the bottle is subjected to changes in atmospheric pressure.

Importantly, colic symptoms are generally a concern for newborns, such as those children in the ages of zero to four months. As used herein, the age ranges are given in general terms and are not meant to set definite boundaries as to when certain baby bottles or certain non-spill  
15 toddler drinking cups are appropriate.

Also, a bottle that requires a child older than four months to exert too much “sucking” action on the nipple of the bottle may result in an increased likelihood of the child developing an ear infection.

#### Summary of the Invention

20 The present invention relates to a drinking container, a drinking apparatus, and methods of providing flow through the containers and apparatus for use with leak free and essentially vacuum-free toddler drinking cups and baby bottles.

As used herein, “essentially vacuum-free” means that liquid in the container exits the container through the nipple or spout when the container is inverted or placed at an angle. The closure member provides venting to the atmosphere surrounding the container and provides the essentially vacuum-free operation. “Essentially vacuum-free” operation or “nearly vacuum-free” operation provides for a container that does not require an added sucking force to be applied by the user of the container to receive liquid from the container. Further, no appreciable vacuum force is created in the container during use of the container due to the venting. It will be understood by one of ordinary skill in the art that a liquid exiting a container will create a minimal vacuum force. This minimal vacuum force created using the container of present invention draws air into the container from the surrounding atmosphere until equilibrium between the atmosphere and the interior of the container is created. The definitions set forth herein for “essentially vacuum-free” or “nearly vacuum-free” contemplate that a minimal vacuum force will be created to draw air into the container as the liquid is exiting the container. All of the embodiments of the present invention operate in an essentially vacuum-free manner.

As used herein, “leak free” means that the container is free from leaks through the closure member. Since the closure member provides venting, the valve is necessary to prevent leakage through the closure member. All of the embodiments of the present invention operate in a leak free manner.

As used herein, “non-spill” refers to spillage via the nipple or the spout of the container. Certain embodiments of the present invention operate in a non-spill manner.

A first embodiment of the present invention relates to a drinking apparatus, comprising: a valve that sealingly and removably connects to a closure member for a drinking container. The valve is simple to clean and may be economically replaced should the user not desire to clean the

valve. For purposes of the present invention, a closure member is any element arranged to sit on or in the open top of a drinking container, which is not a nipple or spout or other liquid outlet, and through which air passes from outside the container into the container. According to some embodiments, the closure member includes liquid passages for liquid to flow from inside the container to the liquid outlet. According to other embodiments, the liquid flows from the interior of the container around the closure member to the outlet. One example of a closure member is the insert used in USP 5,570,796 described above.

The valve and the closure member are used together in a variety of non-spill, leak free, and/or essentially vacuum-free drinking containers, such as toddler drinking cups, baby bottles, and other drinking containers. The closure member allows an infant drinking from a bottle of the present invention to easily drink from a nipple or spout attached to the bottle without appreciably increasing the vacuum force inside the bottle. However, importantly, the valve connected to the closure member prevents the leakage of liquid from the bottle via the closure member when the bottle is in an inverted or sideways position since the valve prevents the flow of liquid into the closure member. The valve is designed such that increased exertion to create a high degree of suction force is not necessary for liquid to flow from the bottle and thus the likelihood of causing an ear infection in the user from such over exertion is reduced.

A second embodiment of the present invention relates to a vent system, comprising: a valve sealingly and removably connectable to the closure member of the first embodiment, and an additional anti-bubble tube. This vent system attaches or connects to an opening or a mouth of the drinking container and provides passage for air from the exterior of the drinking container to the interior of the drinking container. The valve and the anti-bubble tube act as a "diving bell" and generally prevent liquid from entering the anti-bubble tube when the drinking container is in

a substantially upright position, since air is trapped in anti-bubble tube with no escape until the valve is opened, i.e., the trapped air acts as a barrier preventing liquid from entering the anti-bubble tube. The diving bell effect is created by the user of the container when the user places the closure member (with the valve and the anti-bubble tube attached) into the container. When  
5 the container is inverted and liquid exits from the container, as soon as a vacuum force is created inside the container, the valve is opened and air enters the container. As air is drawn into the container, the valve releases the "new" air into the anti-bubble tube and into the volume of trapped air. This "new" air may displace some of the trapped air, thus forcing the trapped air through the anti-bubble tube. In this position, the "diving bell" effect is not maintained in the  
10 anti-bubble tube. In any event, the anti-bubble tube is shaped and coupled to the closure member in such a way as to allow only a very small amount of liquid to enter the anti-bubble tube. Thus, the liquid does not cover the valve and, despite the absence of the diving bell effect, the bottle still operates in a leak-free manner.

As in the first embodiment, the valve connects or attaches to the closure member, as does  
15 the anti-bubble tube. The valve allows the air to enter the container, but it does not allow liquid to exit the container via the vent system. The anti-bubble tube provides for air entering the inverted container to reach an air pocket formed in the bottom portion of the container, which, during the use of the container, is raised above a nipple or a spout of the container. The air pocket is created by air entering the container through the valve in response to the emptying of  
20 the container through the nipple or the spout by the drinker. By providing passage for the air directly to the air pocket, the air is not allowed to mix with the liquid in the container and create air bubbles in the liquid. The anti-bubble tube is important for use by newborns, since they are at a greater risk for colic than older children. However, as children outgrow instances of colic, the

present invention allows the user to remove the anti-bubble tube (leaving the valve and the closure member) and still maintain a functional bottle or cup for the older children.

In an alternative embodiment, the present invention further relates to a drinking apparatus comprising a vent system having a closure member formed of several parts, and comprising a disc portion and a base portion. The base portion is coupled to or includes a one-way valve as an integral portion thereof. This closure member functions in substantially the same fashion as that of the first embodiment. Multiple embodiments for the closure member are described herein, including a preferred embodiment with a duck-bill valve. An optional anti-bubble tube may be used with the vent system of this embodiment.

Like other embodiments, the vent system with the disc portion and the base portion attach to certain readily available containers in the baby bottle industry. Moreover, the vent system with the disc portion and the base portion is particularly simple to clean since all regions of the base portion and the disc portion are readily accessible without requiring specialized cleaning equipment. Thus, the vent system of these embodiments provides full access to various components of the vent system for cleaning. Additionally, the various components of the vent system may be visually inspected for cleanliness.

In other embodiments of the present invention, the valve and closure member may be used in conjunction with a "sippy cup" and spout for use by toddlers. The sippy cup may also include a flexible spout.

In addition to baby bottles and sippy cups, the apparatus of the present invention may be used with non-spill containers for people of all ages. For example, bicyclists and other athletes and sports participants may benefit from using a substantially vacuum-free, non-spill container.

It is an aspect of the present invention to provide a leak-free and essentially vacuum-free drinking container that may be used at nearly any angle without leaking.

It is another aspect of the present invention to provide an essentially vacuum-free container with fewer parts and simpler operation than the prior art.

5 It is an aspect of the present invention to provide a leak-free and essentially vacuum-free baby bottle that may be filled with hot or boiling water.

It is an aspect of the present invention to provide a leak-free and essentially vacuum-free drinking container that may be filled with liquid and shaken vigorously without leaking.

These and other aspects of the present invention are achieved herein.

10 Brief Description of the Drawings

Figure 1 is perspective view of a valve for use in a vent system of one embodiment of the invention.

Figure 2 is a side view of a closure member according to one embodiment of the invention.

15 Figure 3 is a top view of the closure member of Figure 2.

Figure 4 is a perspective view of a vent system of one embodiment of the invention with the closure member of Figure 2 and the valve of Figure 1 in combination.

Figure 5 is a view of the combination of a bottle, the closure member, a collar, a nipple and the valve.

20 Figure 6 is a partial sectional view of a bottle with an alternate embodiment of the vent system of the present invention and having an anti-bubble tube.

Figure 7 is a side view of a closure member according to an alternative embodiment of the invention for use with the anti-bubble tube.

Figure 8 is a partial sectional view of the anti-bubble tube schematically illustrating its volume.

Figures 9(A)-(D) are views of one embodiment of a valve for a cup embodiment.

Figures 10 (A)-(D) are views of the closure member for the cup embodiment.

5 Figure 11 is a bottom perspective view of the valve of Figure 9B and the closure member of Figure 10D for the cup embodiment.

Figure 12 is a sectional view of a vent system according to a further embodiment having a closure member including a disc portion and a base portion.

10 Figure 13(A) is an exploded view of the vent system of Figure 12; and Figure 13(B) is an assembled view of the vent system of Figure 12 with an anti-bubble tube.

Figure 14(A) is an exploded view of a closure member of a further embodiment having a disc portion, a base portion, and an anti-bubble tube; and Figure 14(B) is an assembled view of the disc portion, the base portion of the embodiment of Figure 14(A), and the anti-bubble tube.

15 Figure 15 is a perspective view from beneath the base portion of the embodiment of Figures 14(A)-(B).

#### Detailed Description of the Preferred Embodiments

The present invention will now be described relative to the first embodiment directed to a vent apparatus for a drinking container. The vent apparatus includes a one-way valve sealingly and removably coupled to a closure member for closing the drinking container. The present invention will then be described relative to a second embodiment that includes an anti-bubble tube with the vent apparatus of the first embodiment. Both the first and the second embodiments have various configurations within the scope of the present invention.

20

In a first embodiment, the present invention is directed to a vent apparatus that provides non-spill, leak-free, and/or essentially vacuum-free drinking containers, such as a baby bottle, a sippy cup, or other non-spill drinking vessels used by adolescents and adults. The vent apparatus includes a one-way valve configured to sealingly connect to a closure member for use with a  
5 drinking container. The valve includes an opening to allow air to pass from the atmosphere surrounding the drinking container to the interior of the drinking container, but which prevents liquid from the interior of the drinking container from leaking out through the vent apparatus.

It will be appreciated that, with the addition of a suitable one-way valve, certain commercially available closure members currently in use with baby bottles may be converted to  
10 vent apparatus according to the present invention. Generally, the closure member is held into or onto the drinking container via a collar. The closure member includes an air vent tube or channel that connects to the valve and provides an air passage into the container from the atmosphere surrounding the drinking container via the space between the container and the collar. Thus, the closure member provides for the essentially vacuum-free operation.

15 The first embodiment of the present invention will now be described with reference to Figure 1, which shows a one-way valve **10** for use in a vent system of the present invention. The valve **10** is adapted and configured for detachable coupling to a closure member (not shown). In the embodiment illustrated in Figure 1, the valve **10** includes a connecting portion **20** for sealingly connecting the valve to the closure member. The connecting portion **20** has a circular  
20 opening **25**. The circular opening **25** is adapted and configured to receive a connecting element **150** of a closure member **90**, here illustrated as a drop tube (shown in Figure 2). Walls **45** of the connecting portion **20** are adapted and configured to tightly grip the connecting element **150**, to prevent the valve from inadvertently falling into the container during shaking or drinking. The

connecting element **150** is inserted into the circular opening **25** and the walls **45** stretch slightly and then squeeze to accommodate and hold the connecting element **150**. The walls **45** should be of sufficient thickness such that they securely grip to the connecting element **150**. For example, the walls **45** may be between approximately two (2) millimeters to approximately three (3) millimeters thick. If desired, means for improving adhesion between the valve and the connecting element during drinking may be provided, such as raised portions on one that correspond to depressions on the other, or complementary ridges and grooves, or a reinforcing collar. However, it will be appreciated that the valve should be easily removable from the closure member for cleaning.

The valve **10** also includes a bottom portion **30**, which includes an opening or slit **35**. Opening **35** is designed to provide relatively easy passage for air from the interior of the valve to the container, while substantially preventing passage of liquid from the container to the interior of the valve.

In between the bottom portion **30** and the connecting portion **20**, the valve **10** includes a gripping portion, here illustrated as a ring **40**. The ring **40** provides a region that is easily gripped by the user of the valve **10** such that the valve **10** may be pulled from the closure member under wet conditions for cleaning. The ring **40** may be of any shape, such as a square, an octagon or circle so long as it provides friction for the user.

The valve **10** may be made from a variety of plastic/rubber materials, such as silicone and thermoplastic rubber. An especially preferred material for the valve **10** is silicone. The valve **10** must be made of a nontoxic material.

The present invention will now be discussed with particular reference to Figures 2 and 3, which show a closure member **90**, according to one embodiment of the invention that may be

used in conjunction with a one-way valve, such as the valve **10** of Figure 1. The closure member **90** is designed to be coupled to the top opening of a bottle or a sippy cup, although one of ordinary skill in the art may adjust the dimensions of the closure member **90** to fit a larger sippy cup container or to an even larger adult sized drinking container.

5           The closure member **90** includes an outer ring **100** and an inner ring **110**. The inner ring **110** fits inside of the baby bottle or the sippy cup, while the outer ring **100** sits on a top lip **95** (shown in Figure 5) of the baby bottle or the sippy cup container. The closure member **90** includes a central portion **120** and one or more air vent tubes **130** with one or more air vent tube openings **135** and **140** in the periphery of the closure member. Air enters the container via the  
10   air vent tube opening or openings **135** and **140** and through the air vent tube **130**. The drop tube **150** also has a drop tube opening **180** connected to the interior of valve **10**. The air vent tube **130** is operationally connected to a drop tube **150** such that air may pass from outside of the container through the air vent tube openings **135** and **140**, through the air vent tube **130**, through the drop tube **150**, through the valve **10** and through the opening or slit **35** of the valve **10**. Air from the  
15   outside may pass between the threads of the collar and the threads on the exterior of the baby bottle or the sippy cup container to the air vent tube openings **135** and **140**. The closure member **90** also includes supports **160** that provide support to the air vent tube **130** and define openings **170**. The openings **170** allow the fluid, such as the formula, juice, milk, etc., to pass from the bottle or sippy cup to the nipple or the spout of the lid during drinking. The supports **160** may be  
20   of any shape so long as they provide rigidity to the closure member **90** and provide for the fluids to pass through the openings **170**.

The vent system of this embodiment will now be described with reference to Figure 4. As can be seen, the walls **45** of the valve **10** circumscribe the connecting element of the closure

member, here drop tube **150** and the drop tube opening **180**. The walls **45** are flexed when the drop tube **150** is inserted into the connecting portion **20** such that the walls **45** squeeze on the drop tube **150** with enough force to sealingly retain the valve on the drop tube during use.

Turning now to Figure 5, a baby bottle container with the vent system of this embodiment in place is illustrated. In this embodiment, a collar **200** screws down over the top of the closure member **90** and around the neck of the bottle **210**. The collar **200** holds a nipple **425** in place. In the alternative, a lid with a flexible spout may be used instead of the nipple **425**, or any other conventional liquid outlet for a drinking container.

The air passes in between the threaded region of the neck of the bottle **230** and the threaded region of the collar **240** and enters the air vent tube openings **135** and **140**. This may be accomplished by designing each threaded region such that there is sufficient space for the air to exit or, in the alternative, by creating notches or gaps in the threaded region to provide for air flow. From the air vent tube openings **135** and **140**, the air passes through the air vent tube **130**, the drop tube opening **180**, and the air enters the interior of the bottle **210** through the opening **35** in the valve.

The valve and closure member of the present invention may be used with many commercially available baby bottles. The dimensions of the collar, closure member, and nipple may have to be adjusted to accommodate the different bottles to maintain a proper seal.

In other embodiments of the present invention, the valve and the closure member are formed as a single piece. The single piece embodiment operates in substantially the same manner as other embodiments of the present invention.

In a second embodiment, the present invention relates to a drinking container comprising a vent system that removably connects to a drinking container, such as a bottle. The vent system

of the second embodiment comprises a closure member, a valve sealingly but removably coupled to the closure member, and an anti-bubble tube removably couplable to the closure member. The vent system attaches or connects to an opening or a mouth of the drinking container and provides passage for air from the exterior of the drinking container to the interior of the drinking container, to allow liquid to freely flow from the drinking container without the drinker applying a suction force, substantially as described above. The anti-bubble tube provides for air entering the inverted container to reach an air pocket formed in the bottom portion of the container, as described above.

The anti-bubble tube reduces the likelihood that the air entering the container will mix with the liquid in the container. The anti-bubble tube connects to the closure member and provides passage from the valve to the bottom of the container. The anti-bubble tube allows air entering the container to pass to the bottom of the container and to an air pocket, which would form there when the bottle is inverted during use. The anti-bubble tube generally encloses the valve, except for an anti-bubble tube opening located near a bottom of the drinking container.

The second embodiment of the present invention will now be described with reference to Figures 6 and 7, which show a vent system of the present invention mounted on a drinking container **211**. The vent system comprises a closure member **91** according to an alternative embodiment of the invention, an anti-bubble tube **400**, and a valve, which may be the valve **10** described previously. The closure member **91** functions similarly to the closure member **90**, except closure member **91** includes features discussed below to provide for removable connection between the closure member **91** and the anti-bubble tube **400**.

The vent system provides for air to enter a container **211** to compensate for the liquid exiting the container **211** and thus prevent a vacuum from forming within the container **211**. The

vent system also creates a "diving bell" effect that generally prevents liquid from entering the anti-bubble tube 400 until the "diving bell" effect is no longer maintained. The "diving bell" effect allows the user to vigorously shake the container 211 without leakage, and to fill the container 211 with boiling water without leakage. The container 211 may also be completely filled with liquid, i.e., the container 211 may be filled without limitation. The "diving bell" effect is created by the trapped air in the anti-bubble tube 400 by the valve 10. In a closed state, the valve 10 does not allow air from the anti-bubble tube 400 to exit the container 211. Thus, the trapped air acts as a barrier to liquid entering the anti-bubble tube 400.

In the embodiment of Figure 6, the anti-bubble tube 400 is shown comprised of an upper section 405 and a lower section 410. The upper section 405 surrounds the valve 10 and the lower section 410 extends nearly the length of the container 211. The volume of the lower section 410 is greater than the volume of the upper section 405. Relative volumes for the upper section 405 and the lower section 410 are shown schematically in Figure 8. As can be seen in Figure 8, the volume B for the lower section 410 is larger than the volume A for the upper section 405. The anti-bubble tube 400 connects to the closure member 91. Figure 7 is a side view of a closure member according to an alternative embodiment of the invention for use with the anti-bubble tube. Closure member 91 includes a sealing ring 111 for sealing engagement with the inner surface of the neck of the drinking container. A circular opening 470 of the upper portion 405 of the anti-bubble tube circumscribes the central portion 122 of the closure member 91.

During drinking, the valve 10 allows air to enter the bottle in response to an initial vacuum created by the outflow of liquid. This initial vacuum causes air to be sucked into the container to minimize the initial vacuum force therein and maintain the container substantially

vacuum-free. At the same time, the valve does not allow liquid to exit the bottle via the vent system and create a mess. As air enters the container 211 through valve 10 and anti-bubble tube 400, this "new" air may displace some of the trapped air, thus forcing the trapped air out the anti-bubble tube 400 and into the air pocket above the liquid level in the container 211. The new air entering the anti-bubble tube maintains the "diving bell" effect.

In this embodiment, a collar, such as the previously described collar 200, screws down over the top of the closure member 91 and around the neck of the container 211. The collar holds a nipple in place, such as the previously described nipple 425. The air passes in between the threaded region of the neck of the container 211 and the threaded region of the collar and enters the air vent tube openings 136. From the air vent tube openings 136, the air passes through the air vent tube, the valve 10, and the anti-bubble tube 400, and the air enters the interior of the container 211.

The anti-bubble tube 400 includes an anti-bubble tube opening 430, which provides access for the air from the valve 10 to the interior of the container 211. The anti-bubble tube 400 connects to the closure member 91 and extends to nearly the bottom portion of the container 211. Preferably, the anti-bubble tube 400 provides for air entering the inverted container 211 to reach an air pocket formed in the bottom portion of the container 211. As air is pulled into the container 211 by removal of a liquid therein through openings 170, the anti-bubble tube 400 acts as a conduit for air from the valve 10 to reach the air pocket in the bottom of the bottle without mixing with the liquid or creating bubbles in the liquid.

Turning now to Figures 9, 10 and 11, a valve 1000 and a closure member 900, according to an alternative embodiment of the invention, are shown. This embodiment is particularly suitable for use with a drinking cup. With particular reference to Figures 9A-D, the valve 1000

is shown. The valve **1000** is similar to other valves of the present invention in function, including a connecting portion **1005** and a slit **1010**, however the valve **1000** includes a gripping portion illustrated here as curved side portions **1020** and a base **1060**. A bottom surface **1070** of the valve **1000** showing an air passage **806** through the valve is shown in Figure 9B.

5           The curved side portions **1020** provide the user of the valve **1000** with an extra gripping surface to hold and remove the valve **1000** from the closure member, such as the closure member **900**. This feature is especially useful when trying to remove a wet and slippery valve **1000**, which could be covered in liquid from the cup or soapy water from the cleaning procedure. Although two curved side portions **1020** of the valve **1000** are shown, other embodiments may  
10 include additional gripping surfaces. The curved side portions **1020** and the base **1060** also provide the valve **1000** with extra surface area to increase the overall size of the valve **1000**. By increasing the overall size of the valve **1000**, certain size standards requisite of childrens' accessories may be satisfied. The curved side portions **1020** provide a large gripping surface at the perimeter of the valve **1000** for the operator to twist when manipulating the valve **1000**. The  
15 curved side portions **1020** are connected to the base **1060**, providing stability and structural integrity to the valve **1000**.

In this embodiment, the base **1060** also serves as the connecting portion **1005** for coupling the valve **1000** to the closure member **900**. For example, the closure member **900** may be provided with a recessed portion **902** complementary to the shape of the base **1060** for snap-  
20 fit seating of the valve on the closure member. Alternatively, valve **1000** may include an upstanding tube (not shown) merging from air passage **806** for sealable insertion into air passage **940** in the closure member **900**.

With particular reference to Figures 10A-D, the closure member 900 is shown. The closure member 900 functions substantially the same as the closure member 90 and the closure member 91 previously described, however, the closure member 900 includes a disk 910 with a flat surface instead of a drop tube. The closure member 900 includes air vent openings 930 that are operationally connected to an air passage 940. The closure member 900 also includes liquid openings 950 to allow liquid to flow from a container connected to the closure member 900 to a spout or nipple mounted on the closure member 900. An outer rim 102 rests on a top rim of the container, while an inner ring 112 seals against the inner wall of the container.

The air passage 940 of the closure member 900 is adapted for operational connection to opening 806 of the connecting portion 1005 of the valve 1000. The valve 1000 includes an opening or slit 1010 to allow air entering the air passage 940 to enter the cup. The disk 910 of the closure member 900 is easy to clean since it is a flat surface. It is also easy to attach the valve 1000 to the closure member 900 owing to the flat surface of the disk 910. Figure 11 shows the valve 1000 connected to the closure member 900. It will be appreciated that valve 1000 can be coupled to closure member 900 by any conventional manner, including snap fit, or complementary depressions and protrusions, as long as the valve sealingly engages the closure member during use, sufficiently tightly to prevent inadvertent release during use, but is easily removable for cleaning.

In an alternative embodiment of the invention, the vent system comprises a two part closure member. In the illustrated embodiment, the closure member includes a disc portion and a base portion that operate together to allow liquid to flow to a nipple or a spout of the container and to also allow air to enter the container. The base portion is coupled to or includes a valve that allows air to enter the interior of the container, but prevents liquid from exiting the container

via the vent system. A preferred embodiment of the base portion includes a duck-bill valve, which is sensitive to fluctuations in pressure. In another preferred embodiment, the valve is integrally formed with the base portion. An optional anti-bubble tube may be used with this vent system.

5 This embodiment of the present invention will now be discussed with reference to Figures 12, 13(A), and 13(B), which show an alternative vent system **215** that may be used in conjunction with a container, such as a bottle or a sippy cup. Vent system **215** includes a base portion **305** and a disc portion **310**. The disc portion **310** and the base portion **305** cooperate to form both the air vent channels and the liquid openings. The air vent channels allow air to enter  
10 the valve and further into the interior of the container, while the liquid openings allow liquid to exit the drinking container and into the interior of the nipple or the spout.

In general, the base portion comprises the valve, a plurality of base liquid openings, and a plurality of base vent grooves. The base portion **305** of the vent system **215** includes an outer ring **505** and an inner ring **510**. The inner ring **510** fits inside of the container, while the outer  
15 ring **505** sits on a top lip (not shown) of the container. Inner ring **510** is preferably, slightly angled to the periphery of the base portion **305** to create a seal against the inside of the container. The optional anti-bubble tube connects to the base portion and generally encloses the valve except for an anti-bubble tube opening. The valve is essentially hollow and communicates with the base vent channels to allow air to pass into the container. The valve includes an opening or  
20 slit that provides passage for air into the interior of the container.

The disc portion **310** and the base portion **305** are complimentary in shape, i.e., the disc portion and the base portion function together to assist in the venting of the drinking container. The base portion **305** further comprises the plurality of base vent grooves. The base vent grooves

**415** are a recessed portion of the base portion **305** that connect the valve to the periphery of the base portion where vent tube openings are located. Air vent tubes **335**, to allow air to pass from the atmosphere surrounding the drinking container to the interior of the drinking container, are formed by placing the disc portion **310** over base vent grooves **415**, thus creating vent tubes for  
5 air to enter the base portion and ultimately the valve and the interior of the container. The disc portion **310** forms and seals a top portion of the air vent tubes **335**. When the disc portion is placed on the base portion, the air vent tubes are fully defined by the base vent tubes and a bottom surface of the disc portion, and thus the air vent tubes are sealed from the liquid openings. However, the base vent grooves **415** are fully accessible when the disc portion **310** is  
10 removed.

Air enters the container via the vent tube openings **330** and through air vent tubes **335**. The air vent tubes **335** are operationally connected to a one-way valve **710** for unobstructed flow of air, such that air may pass from outside of the container through the vent tube openings **330**, through the air vent tubes **335**, through the valve **710**, and through an opening or a slit **715** in the  
15 valve. Air from the outside may pass between the threads of the collar and the threads on the exterior of the baby bottle or the sippy cup container to the vent tube openings **330**.

The vent system **215** also includes liquid openings **401** which allow the fluid, such as the formula, juice, milk, etc., to pass from the bottle or sippy cup through the vent system **215** and to the nipple or the spout. The liquid openings **401** may be of any shape so long as they provide  
20 rigidity to the vent system **215** and provide for the fluids to pass through the liquid openings **401**. The liquid openings **401** preferably are formed by a combination of base liquid openings **424** (shown in Figure 13(B)) and disc liquid openings **432**. The base liquid openings **424** and the disc liquid openings **432** may vary in structure. The plurality of disc liquid openings cooperates

with the plurality of base liquid openings to create the liquid openings. The base liquid openings and the disc liquid openings are preferably complimentary in shape. This provides stability to the vent system and seals liquids from the air vent channels. This sealing prevents liquids from entering the air vent channels and reduces leaking.

5           In the embodiment of Figures 12 and 13A, the disc portion **310** further includes a plurality of disc liquid openings **432**. Each disc liquid opening **432** includes a descending member **431** that defines the disc liquid opening **432** and extends below a top surface **371** of the disc portion **310**. Similarly, the base liquid openings are defined by base liquid opening channels **424** that extend below a top surface of the base portion and extend through at least a portion of  
10 the base portion. The descending member **431** of the disc portion **310** is received by the base portion, i.e., the descending member seals flush against a surface **451** of the base liquid opening channels **424** of the base portion **305**. This sealing of the complementary disc liquid opening and the complementary base liquid opening stabilizes the disc portion on top of the base portion and prevents liquid from entering the air vent channels.

15           The valve **710** allows air to enter the bottle to minimize a vacuum formed in the container, but it does not allow liquid to exit the bottle via the vent system **215** and create a leak. The valve **710** includes the valve opening **715**. According to a preferred embodiment, the valve **710** is integral to the base portion **305**, i.e., the base portion **305** and the valve **710** are formed as a single unit, although, alternatively, the valve **710** may be coupled to the base portion **305** in any  
20 manner. During use of the vent system **215**, the valve **710** generally protrudes into the container. According to one embodiment of the invention, the base portion includes an indented region for an anti-bubble tube **800** to circumscribe and attach to the base portion **305**. The anti-bubble tube

800 provides for air entering the inverted container to reach an air pocket formed in the bottom portion of the container, as described above.

A vent system 216 according to an alternative embodiment of the invention, also including a two-part closure member, is shown in Figures 14(A), 14(B), and 15. The vent system 216 includes a closure member having the disc portion 310 discussed above, and an alternative base portion 306. The vent system 216 functions in the same general same manner as the vent system 215. However, the vent system 216 comprises the base portion 306 having a duck-bill valve 701. The duck-bill valve 701 comprises a slit 716 for the passage of air. The duck-bill valve provides functional advantages, in that it is a more sensitive valve. Thus, it both opens faster under very light vacuum to permit drinking, and closes faster and more strongly under external air or liquid pressure. The duck-bill valve 701 communicates with the air vent tubes 336 to allow air to enter the container. According to a preferred embodiment, the base portion 306 and the duck-bill valve 701 are integrally formed, most preferably of silicone.

A tab 925 on the base portion 306 provides the user a region to grasp on the base portion 306 when pulling or removing the base portion 306 from the disk portion 310. The tab 925 may include ridges 931 to provide a frictional gripping surface. In use or in cleaning, the base portion 306 may be covered in a fluid such as milk or a cleaning solution, and it is helpful for the user to have the tab 925 to grasp and ease the removal of the base portion 306 from the disk portion 310. Air vent tubes 336 (shown in Figure 14(B)) are formed by placing the disc portion 310 over one or more base vent grooves 416 of the base portion 306. The base vent grooves 416 are a recessed portion of the base portion 306 that create a channel for air to enter the base portion 306 and ultimately the valve and the interior of the container. The base vent grooves 416 are fully accessible when the disk portion 310 is removed. When the disc portion

310 is placed on the second base portion 306, the liquid openings 402 are sealed from the air vent tubes 336 and provide passage for the liquid to the nipple or spout. As shown in Figure 14(A), the base liquid openings 426 and the disc liquid openings 432 of the disc portion 310 are complementary and their joining stabilizes the vent system 216. In particular, the descending member 431 of the disk portion 310 seals against a surface 436 of base liquid openings 426 of the base portion 306. In this embodiment, the base portion 306 comprises three base liquid openings 426.

The vent systems having a two-part closure member are easily assembled and disassembled by the user. Importantly, the base portion and disc portion, when disassembled, are easily cleaned, since nearly all of their surfaces which form the air vent channels and liquid openings are fully accessible and may be cleaned without any specialized equipment. Importantly, the air vent tubes are completely open and accessible for cleaning when the disc portion and the base portion are disassembled. This is essential for optimum hygiene. The air vent tubes may be visually inspected to ascertain and ensure their cleanliness, which provides reassurance to the user that a clean bottle is being given to the baby.

In some embodiments of the invention, the anti-bubble tube 800 may include a heat sensor portion of a thermally reactive material, such as produced from microencapsulated temperature sensitive plastics. These plastics use color change to indicate specific temperature changes of liquid inside the container.

The vent system may be made from a variety of plastic/rubber materials, such as silicone and thermoplastic rubber. The closure member may be made from a variety of plastic/rubber materials, such as thermoplastic rubber. An especially preferred material for the vent system is silicone since it is easy to clean and safe for use. The anti-bubble tube 400 is preferably made

from polypropylene as it may be subject to high temperatures, such as boiling water for sterilization. Polypropylene is also easy to clean.

As discussed and defined above, all of the embodiments of present invention operate in an essentially vacuum-free and non-leak manner. Certain embodiments described herein  
5 additionally operate in a non-spill manner.

As evident from the foregoing description, certain aspects of the present invention are not limited by the particular details of the examples illustrated herein, and it is therefore contemplated that other modifications and applications, or equivalents thereof, will occur to those skilled in the art. It is accordingly attended that all claims shall cover all such  
10 modifications and applications that do not depart from the spirit and the scope of the present invention.

CLAIMS

1. A vent system for a drinking container, the vent system comprising:
  - a single member closure member adapted and configured for coupling to an open top of the drinking container, said closure member including:
    - an air passage therethrough to allow the passage of air from outside the container to an interior of the container;
    - at least one air vent tube with more than one air vent tube opening in a periphery of said closure member, wherein said more than one air vent tube opening are operationally connected to said air passage;
    - a one-way valve sealingly coupled to said closure member and operatively connected to said air passage, said air vent tube and said air vent tube opening, and extending into said container, for permitting passage of air from outside the container into said interior of the container through said air vent tube opening, said air vent tube, and said valve, and preventing flow of liquid from the interior of the container to outside the container through said vent system;
  - wherein said closure member comprises:
    - a base portion and a disc portion;
    - a single one-way valve having a slit;
    - said disc portion further including a bottom surface and at least one disc liquid opening having a descending member;
    - said base portion further including at least one base vent groove recessed in said base portion, and more than one base liquid opening complementary to said descending member of said disc liquid opening and sealed against said descending member; and

said at least one air vent tube having more than one air vent tube opening in a periphery of said closure member, said air vent tube being defined between said bottom surface of said disc portion and said base vent groove when placing said disc portion on said base portion, and operationally connecting said valve to the periphery of the base portion;

wherein said air vent tube allows air to enter from the exterior of the vent system through said air vent opening in the periphery of said closure member through said air vent tube through said valve and through said slit in said valve, into the container.

2. The vent system according to claim 1, wherein said base portion and said disc portion are adapted and configured to form said liquid openings that allow liquid to exit the container.

3. The vent system according to claim 2, wherein said liquid openings are formed by a combination of base liquid openings and disc liquid openings, said disc liquid openings sealing flush against a surface of the base liquid openings to seal liquids from the air vent tubes.

4. The vent system according to claim 2, wherein said valve is integrally formed with said base portion.

5. The vent system according to claim 4, wherein said base portion further includes a gripping portion for ease of gripping during removal of said base portion from said disc portion.

6. A drinking container comprising:

a closure member adapted and configured for coupling to an open top of the drinking container, said closure member comprising a base portion having a least one base vent groove recessed in said base portion, and a disc portion, said base portion and disc portion defining therebetween at least one air vent tube having more than one air vent tube opening in a periphery of said closure member;

a single one-way valve integrally formed with said base portion and operatively connected to said air vent tube and extending from said air vent tube opening in a periphery of said closure member to said valve, for permitting passage of air from outside the container into said interior of the container through said air vent opening, said air vent tube and said valve, and preventing flow of liquid from the interior of the container to outside the container through the vent system;

a liquid outlet member; and

a collar, wherein the collar is threadably connected to the container for sealing the liquid outlet member against the closure member, wherein a threaded region of a neck of the bottle and a threaded region of the collar are adapted and configured to allow air to pass therebetween and enter said air vent tube; and

wherein said disc portion further comprising at least one disc liquid opening including a descending member and said base portion further comprising at least one base liquid opening complementary to said descending member of said disc liquid opening and sealed against said descending member.

7. A method for forming a drinking container, the method comprising:

mounting, on the drinking container, a closure member adapted and configured for coupling to an open top of the drinking container, said closure member

including an air passage therethrough to allow the passage of air from outside the container to an interior of the container;

at least one air vent tube with more than one air vent tube opening in a periphery of said closure member, wherein the air vent tube is operationally connected to said air passage.

sealingly and removably coupling a single one-way valve to said closure member, said valve being operatively connected to said air passage, said air vent tube, said air vent tube opening, and extending into said container, for permitting passage of air from outside the container into said interior of the container through said air vent tube opening, said air vent tube, and said valve, and preventing flow of liquid from the interior of the container to outside the container through the closure member;

so as to form a substantially vacuum-free, non-leak drinking container;

wherein said closure member comprises a base portion having a least one base vent groove recessed in said base portion, and a disc portion, and said step of mounting includes:

mounting said disc portion on said base portion; and

mounting said base portion on said drinking container.

wherein said base portion and said disc portion are defining at least one air tube therebetween, said air vent tube having at least one air vent tube opening in a periphery of said closure member;

and wherein said step of coupling includes sealingly and removably coupling said valve to said base portion.

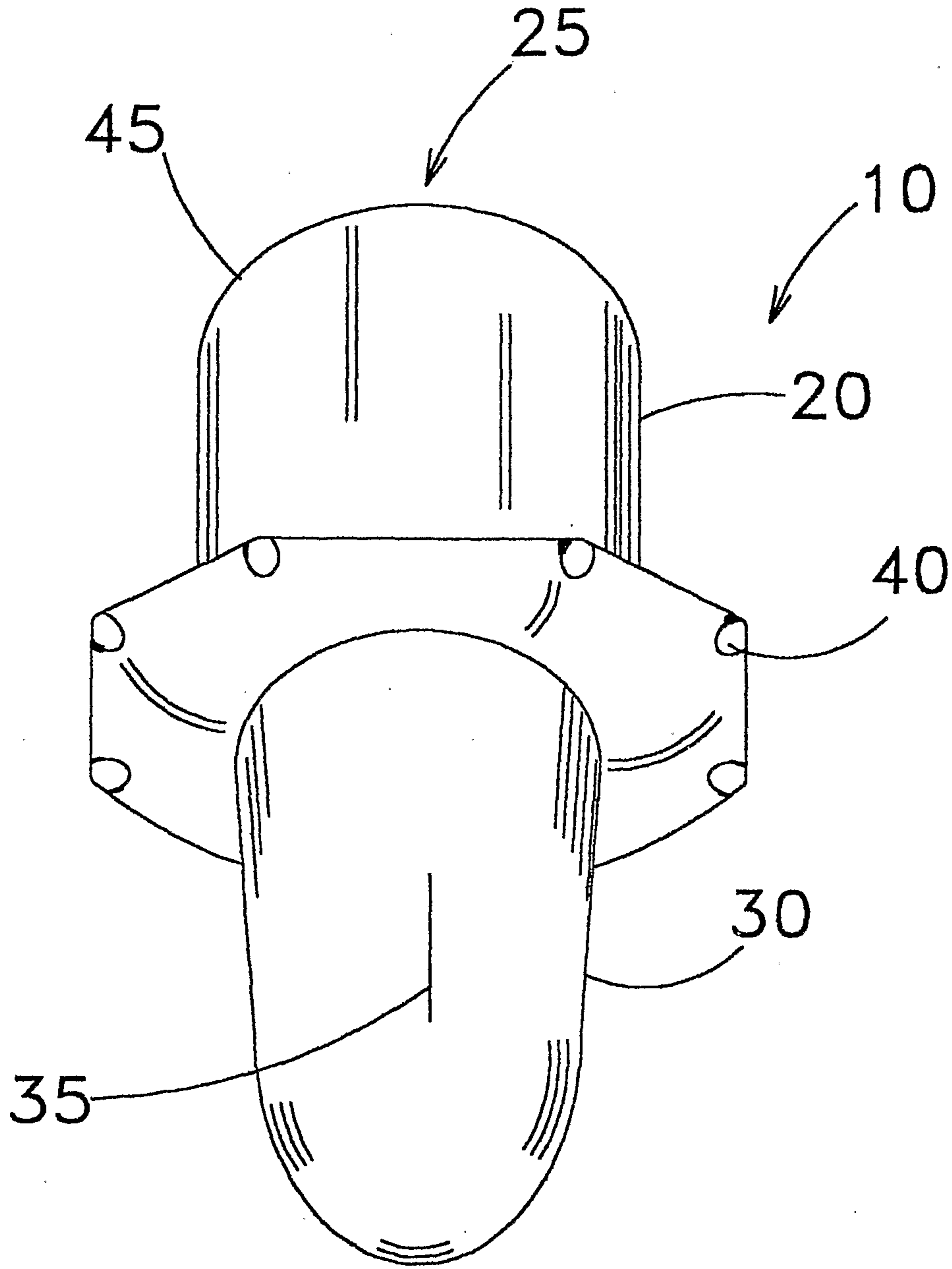


FIG. 1

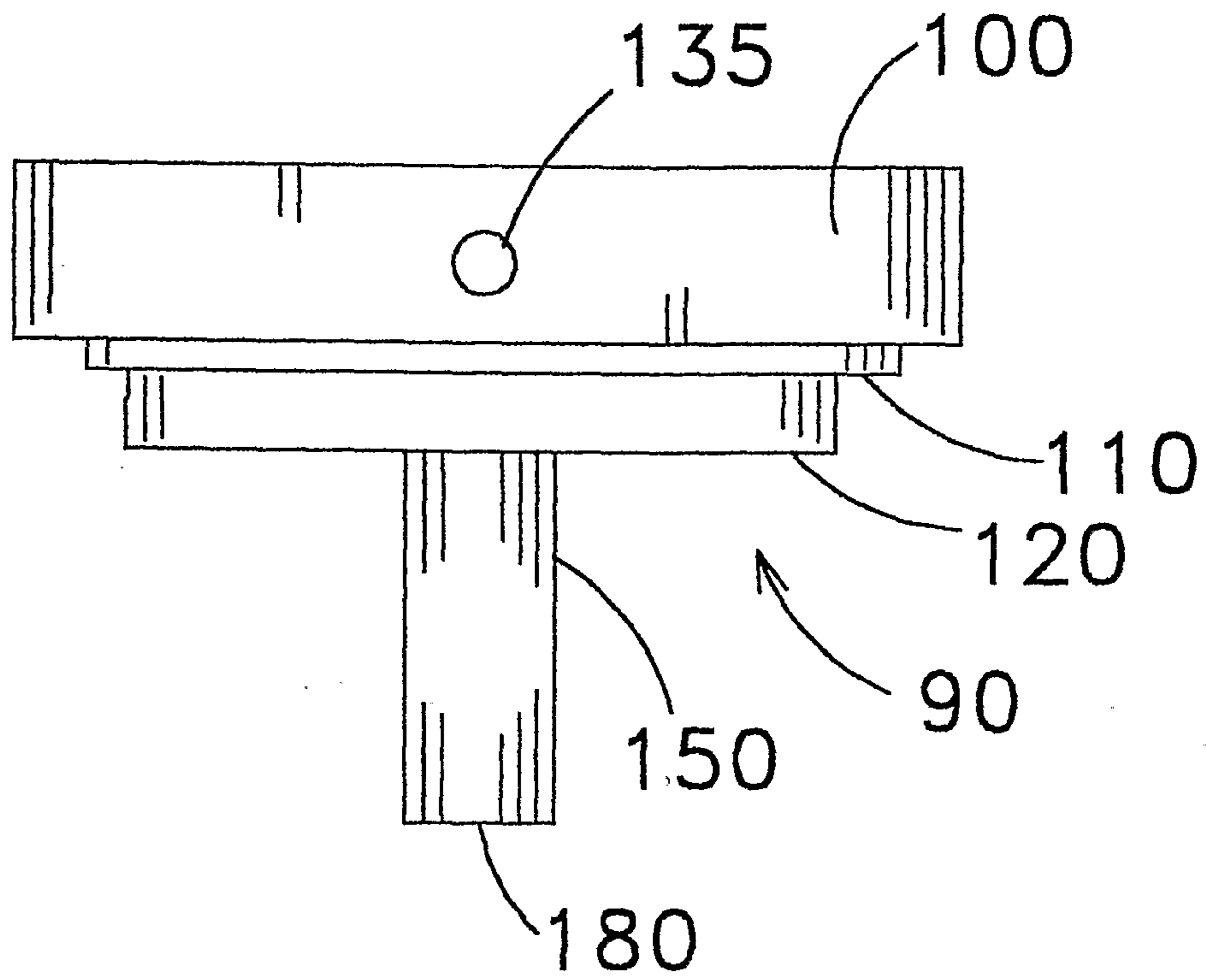


FIG. 2

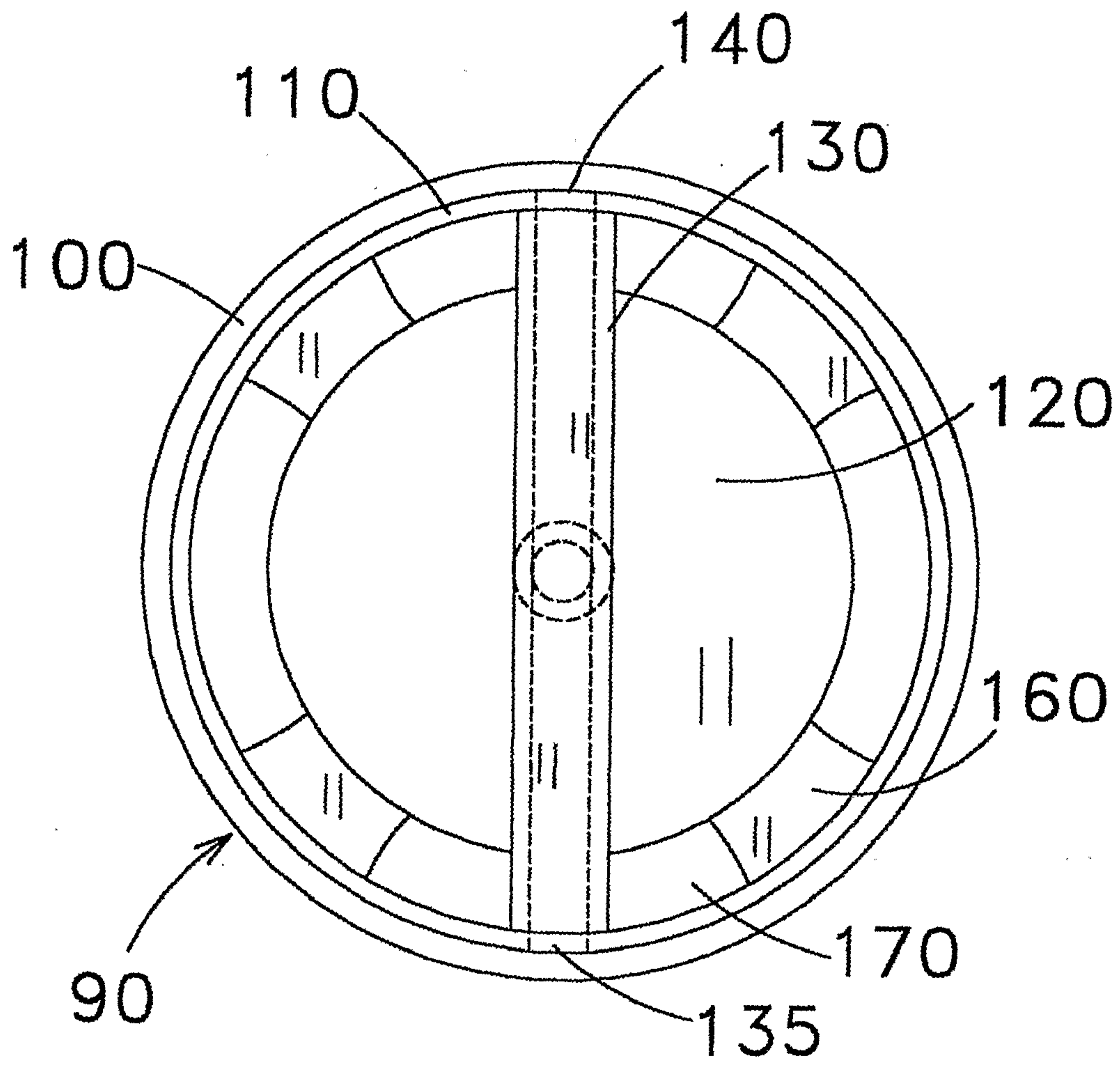


FIG. 3

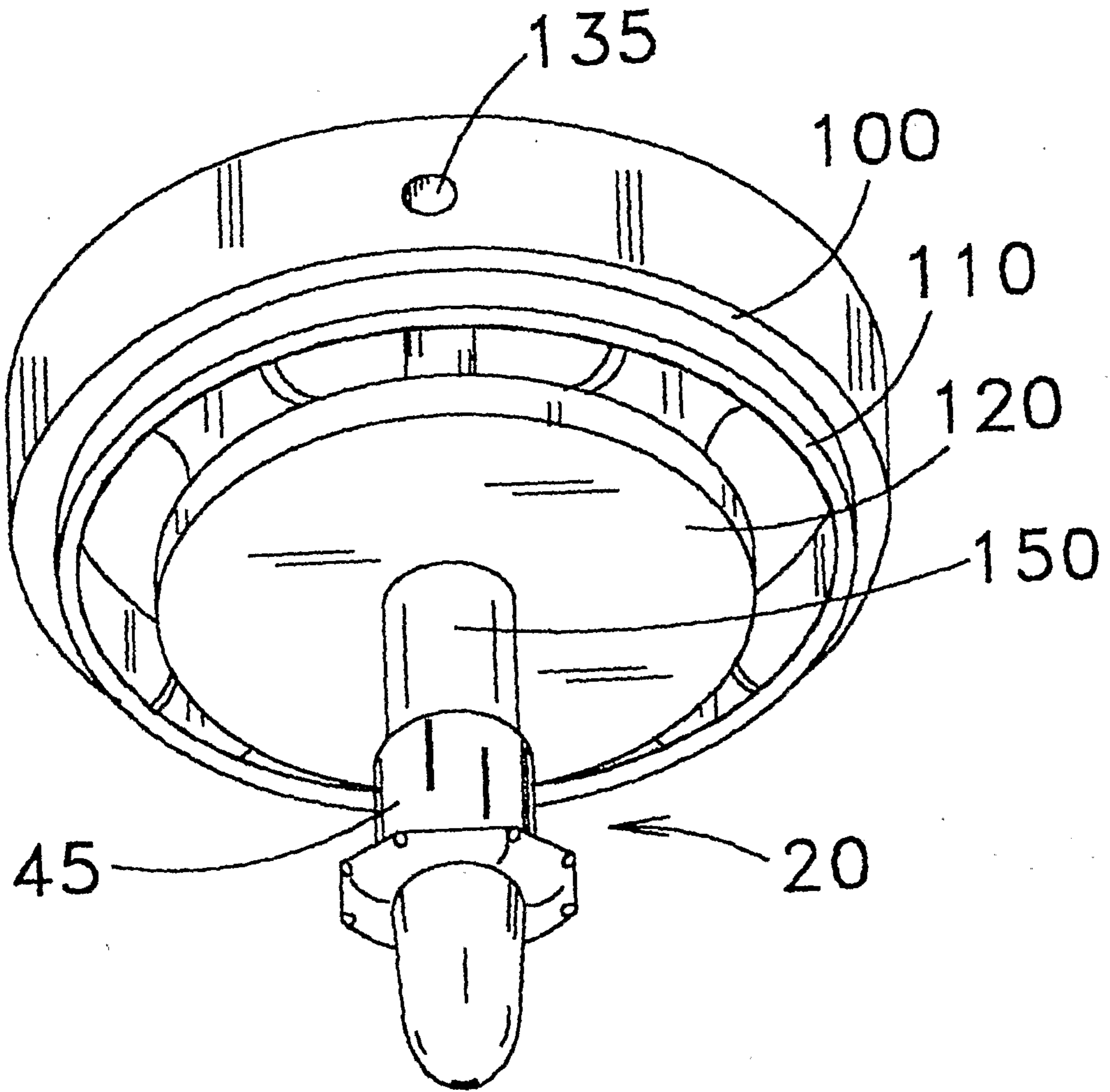


FIG. 4

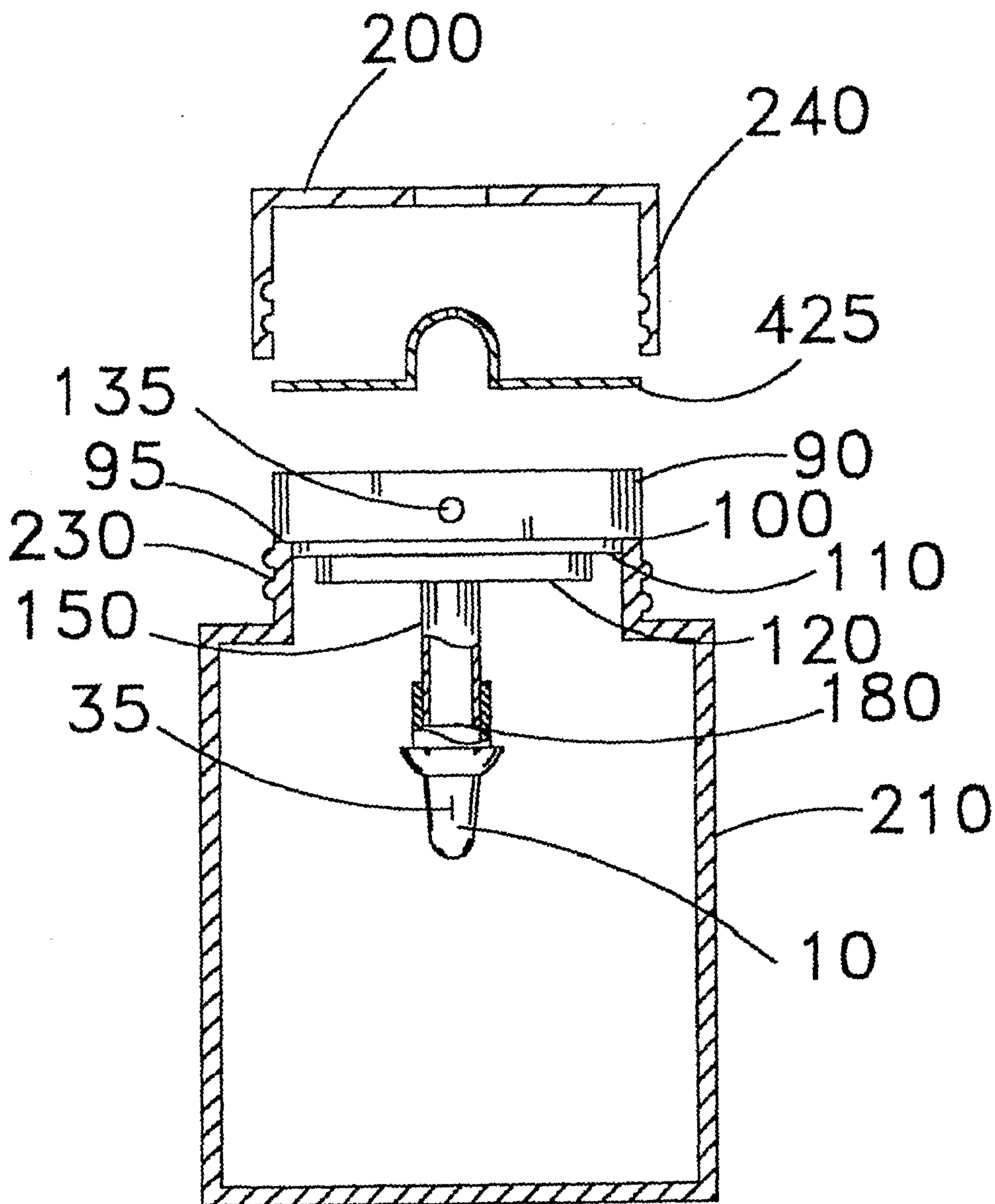


FIG. 5

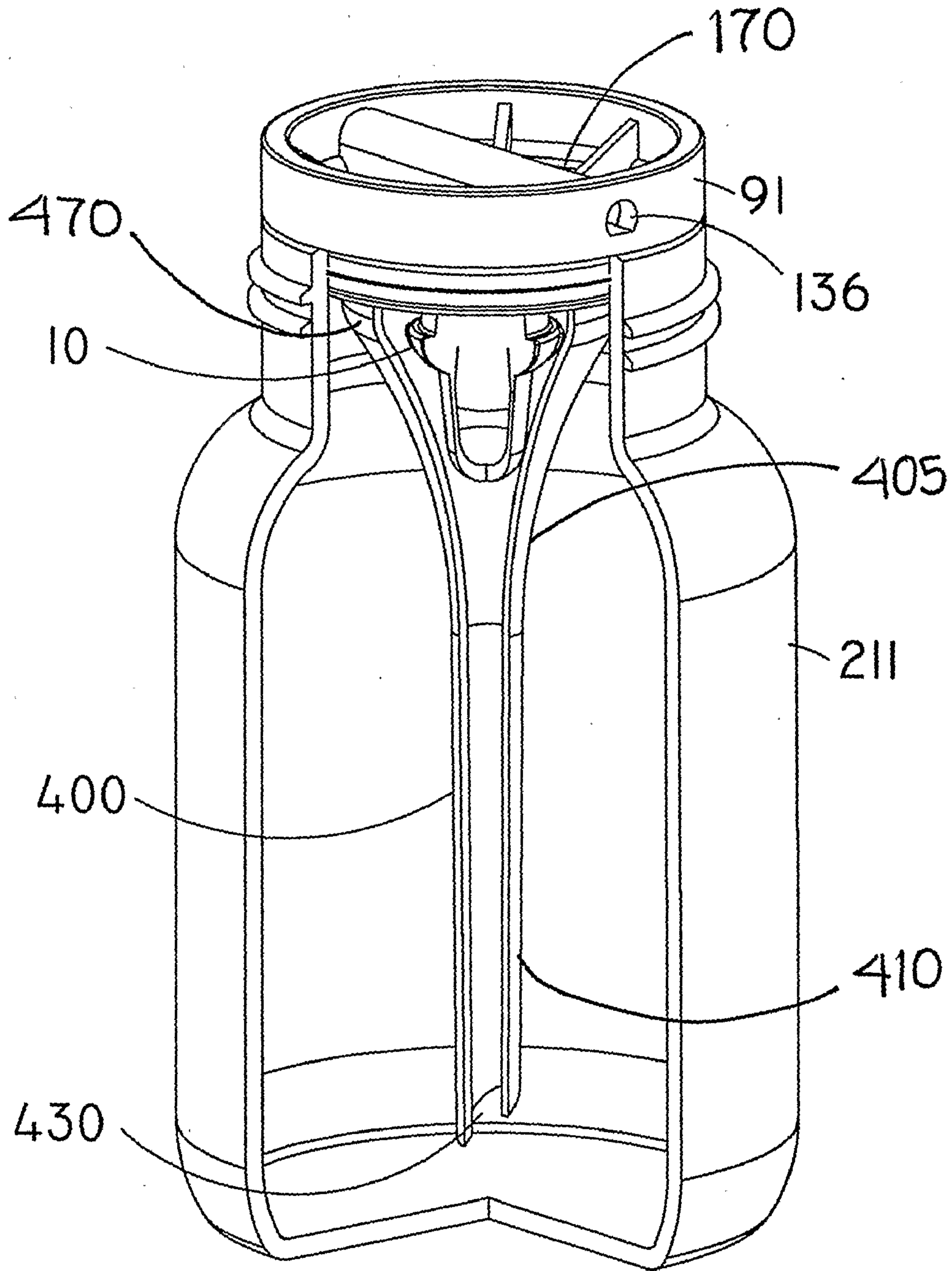


FIG. 6

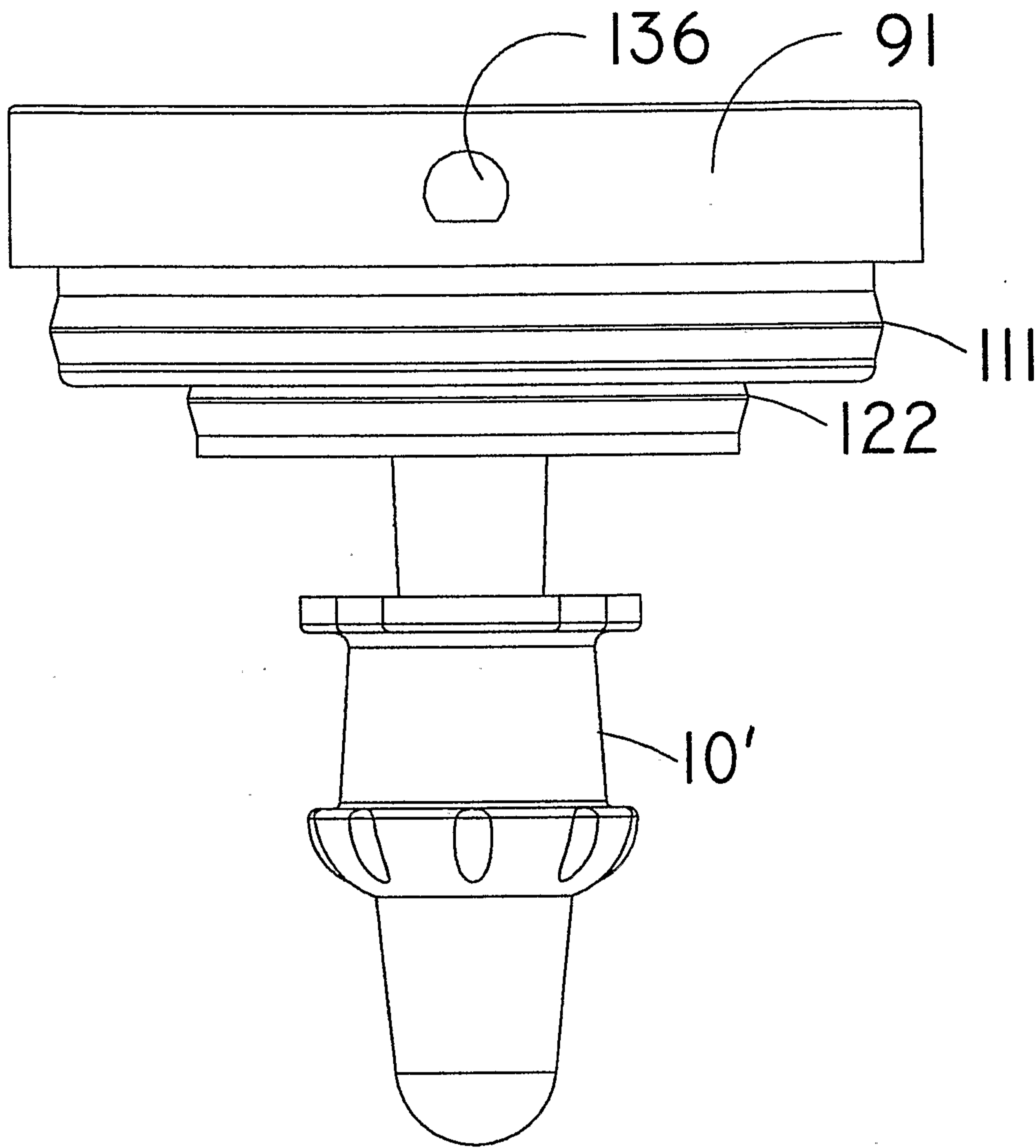


FIG. 7

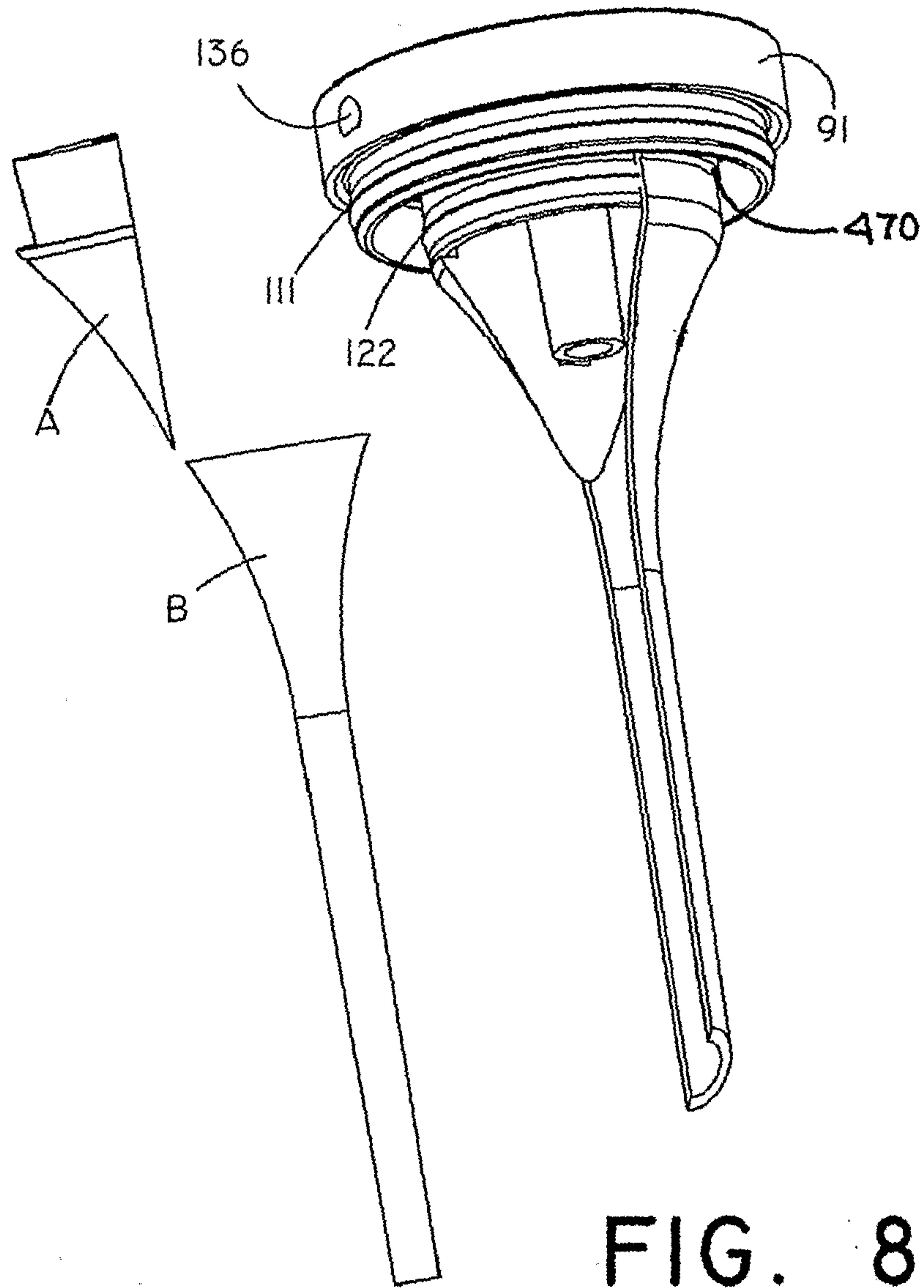
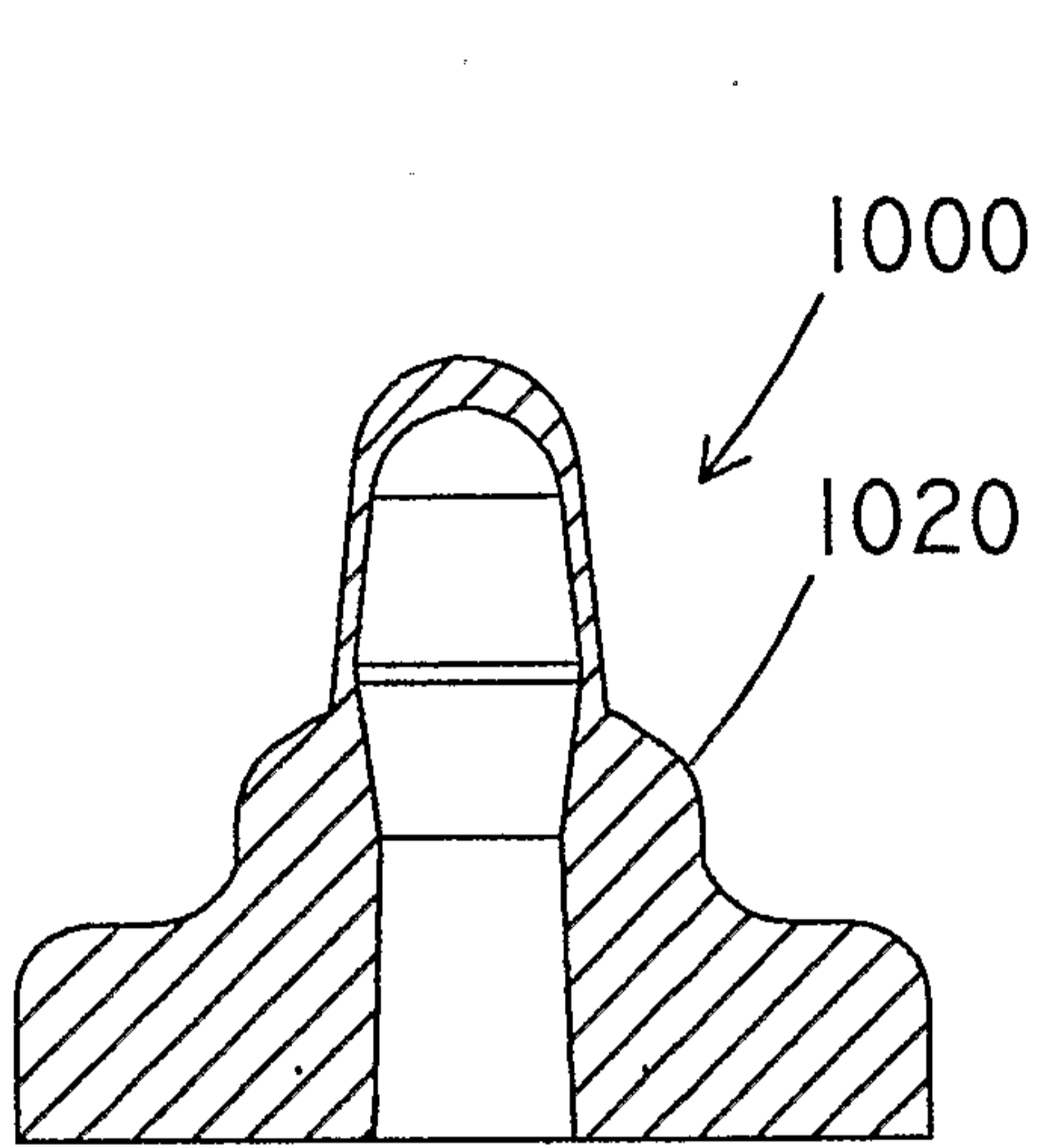


FIG. 8



A-A  
FIG. 9A

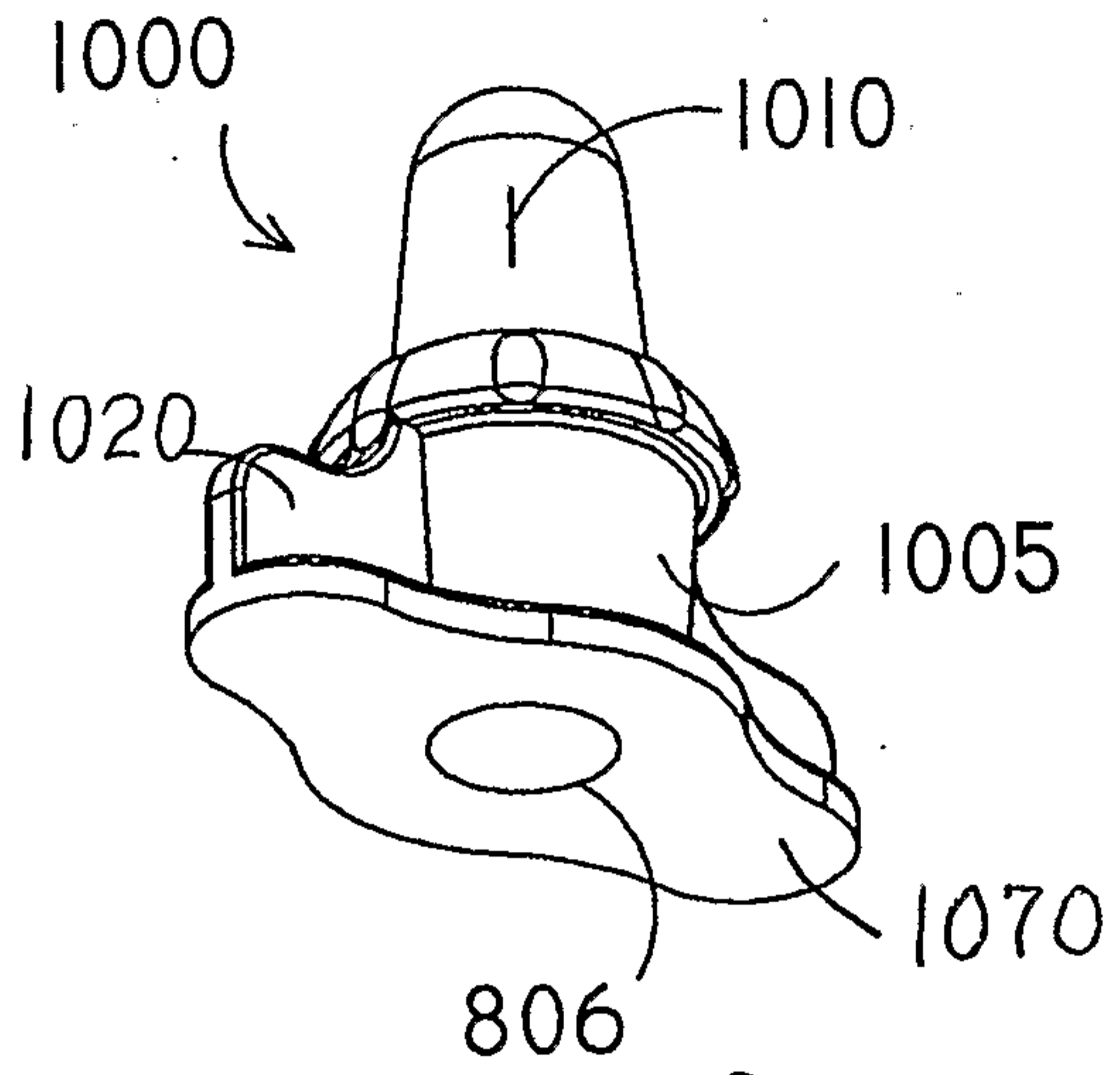


FIG. 9B

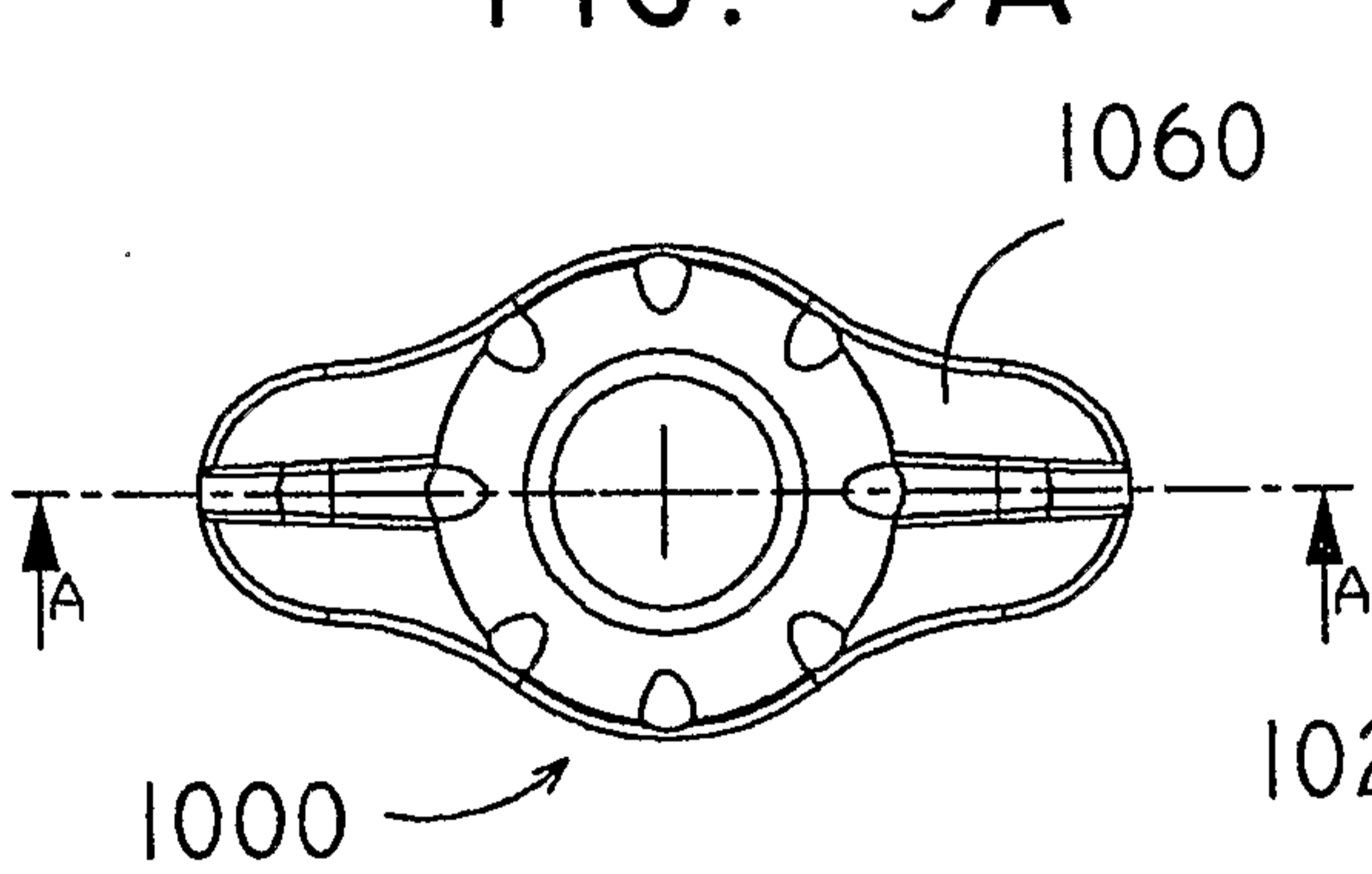


FIG. 9C

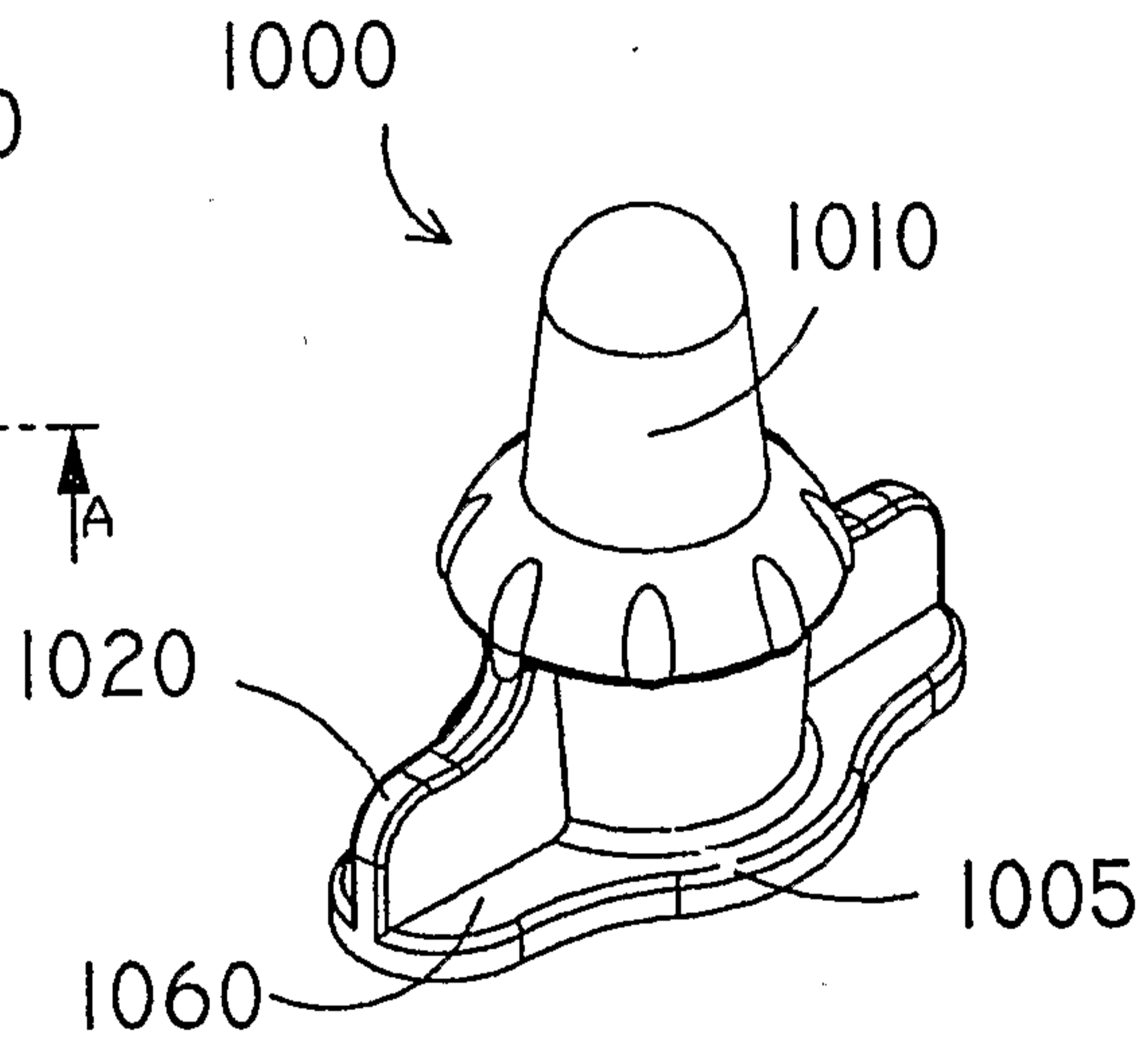


FIG. 9D

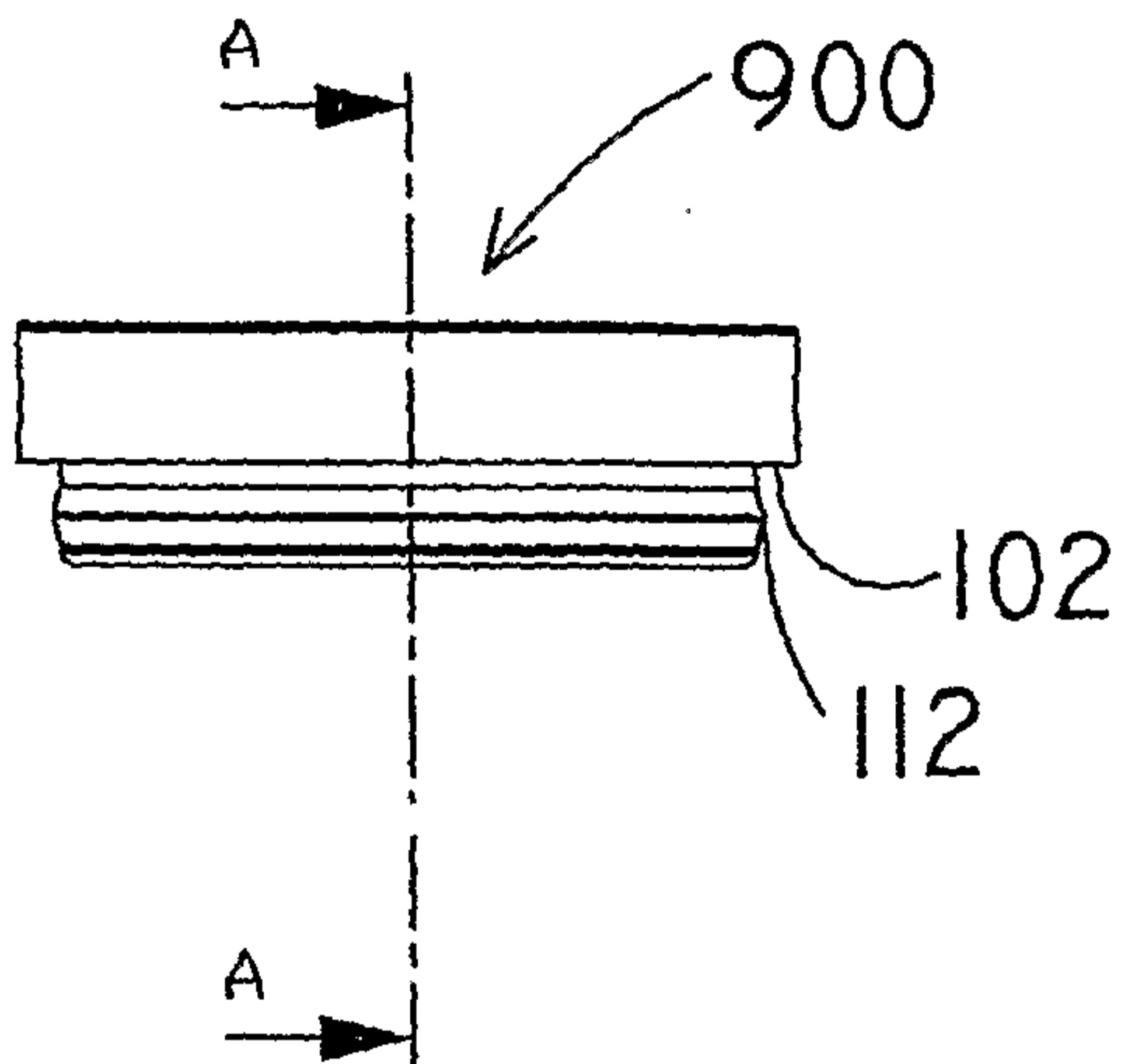


FIG. 10A

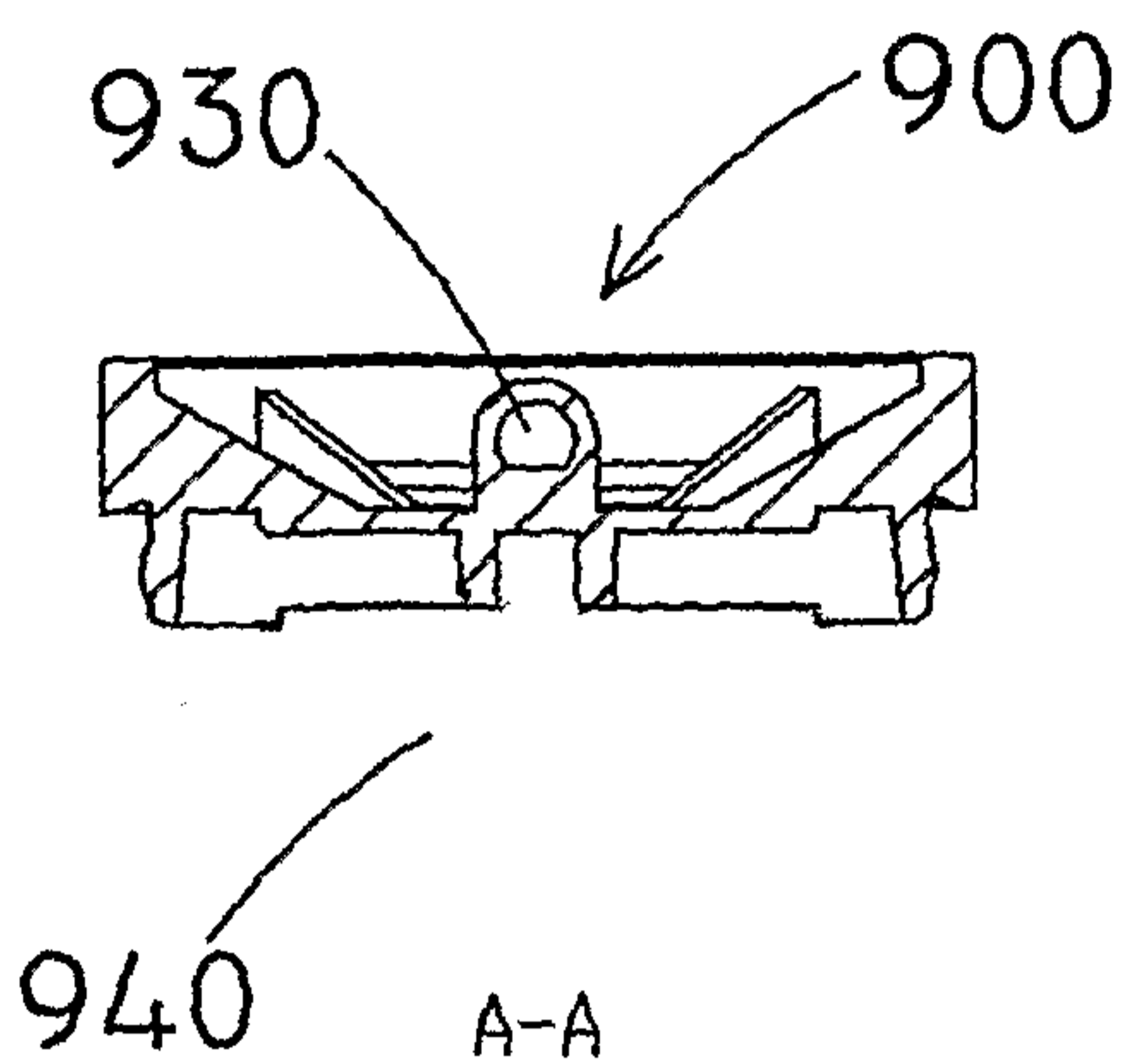


FIG. 10B

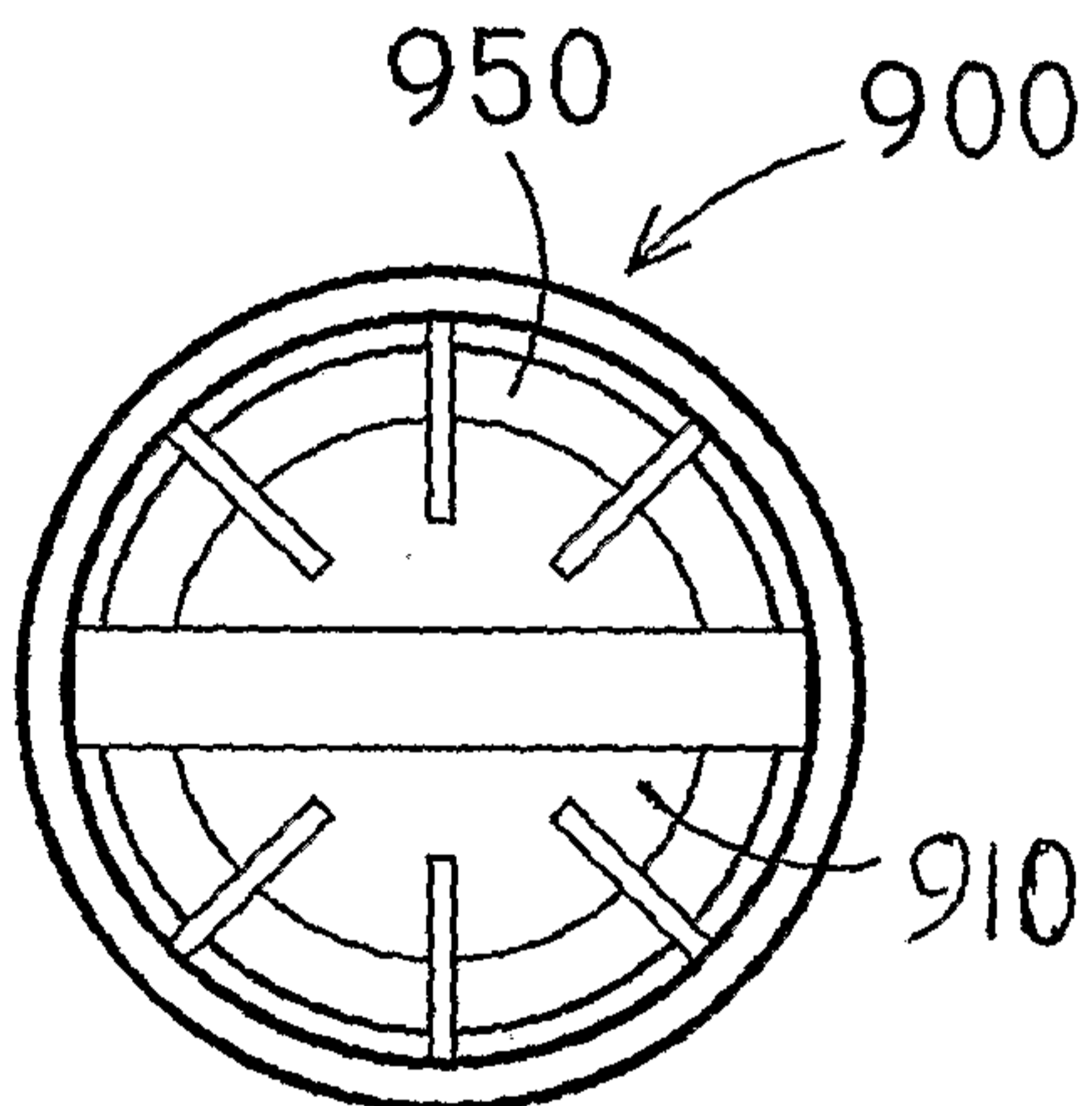


FIG. 10C

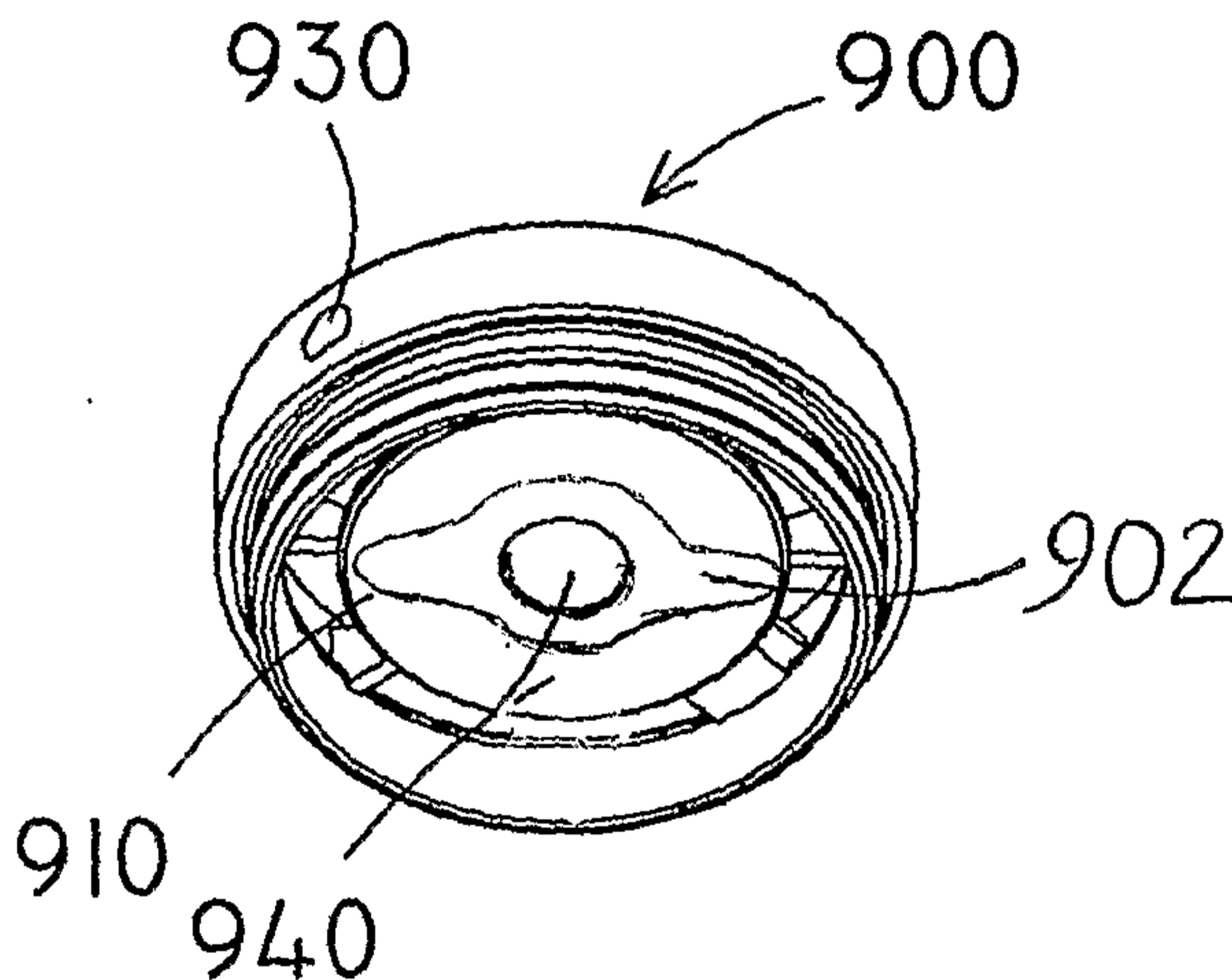


FIG. 10D

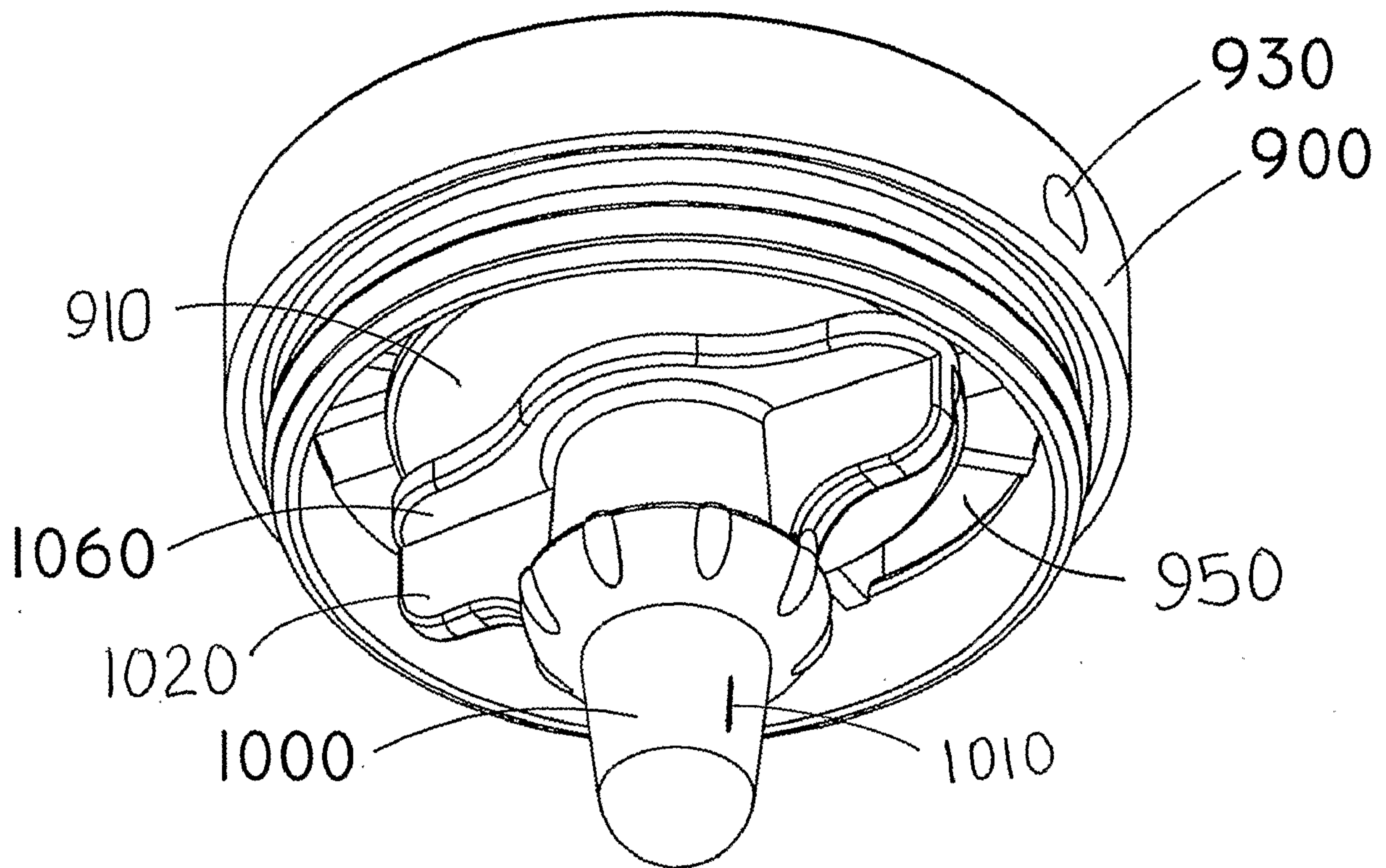


FIG. 11.

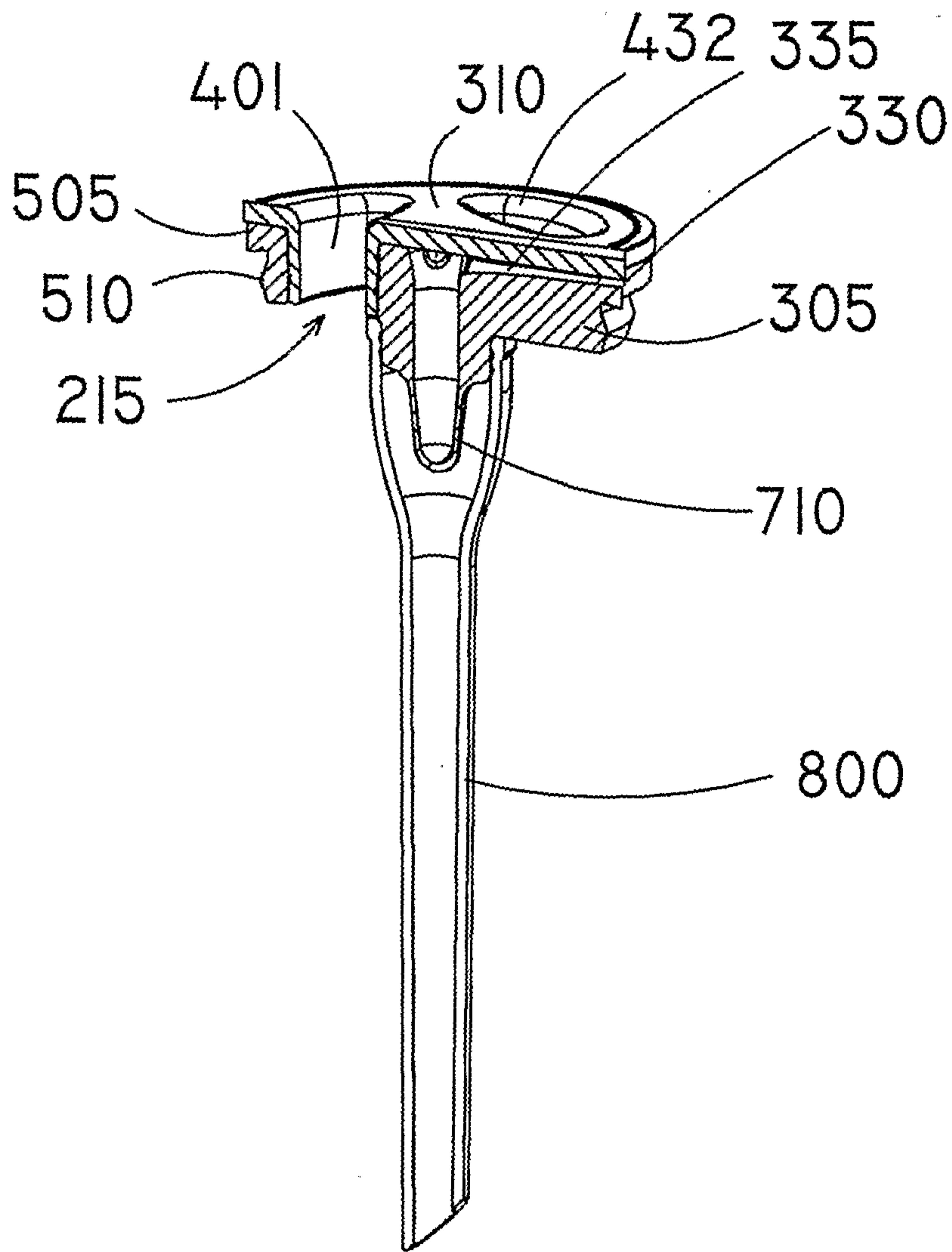


FIG. 12

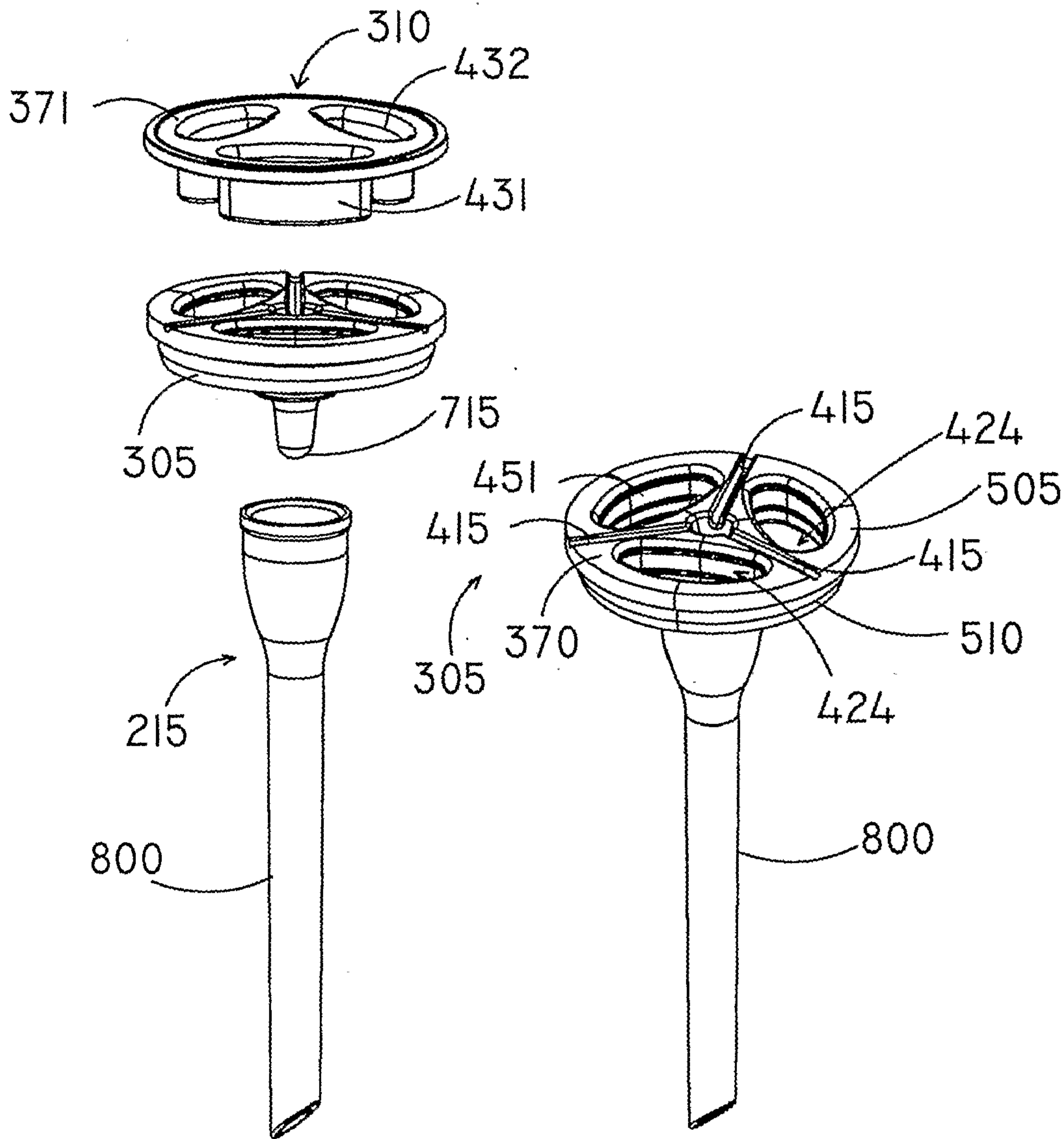


FIG. 13 A

FIG. 13 B

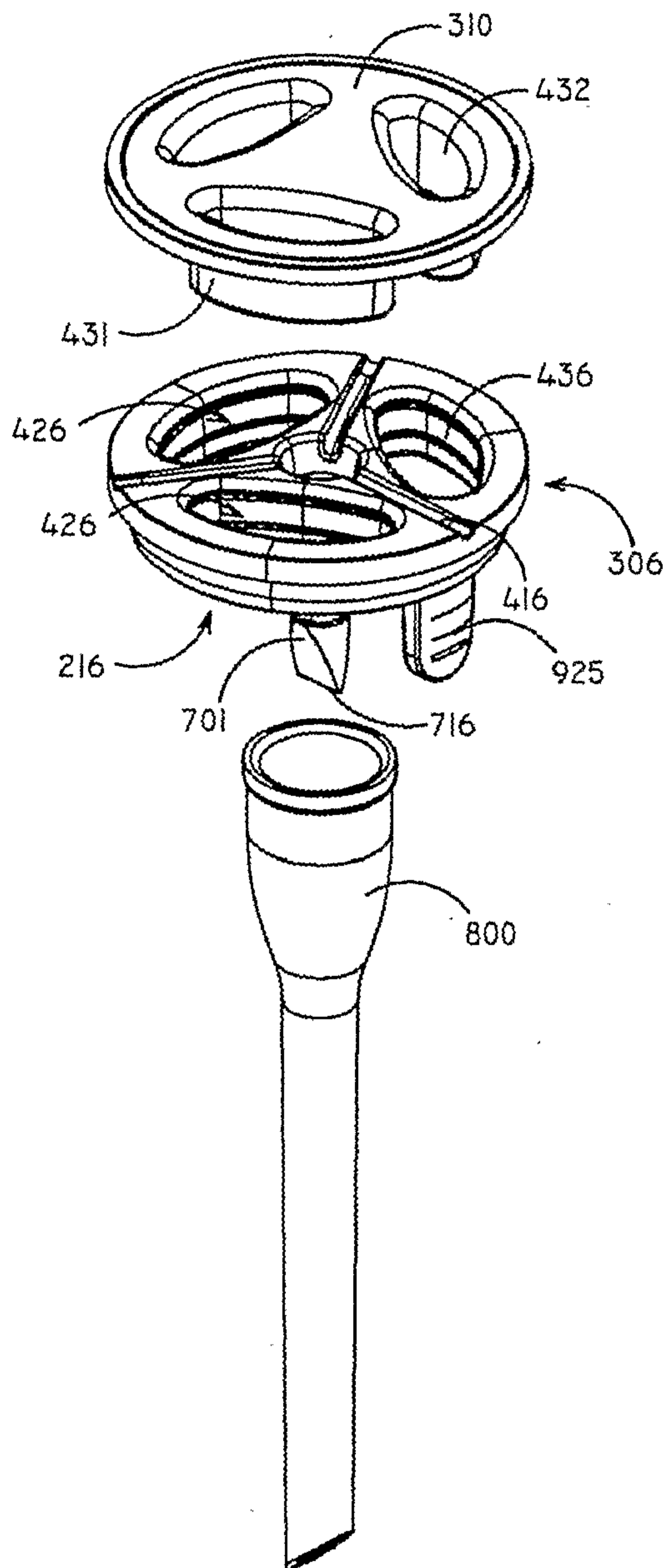


FIG. 14A

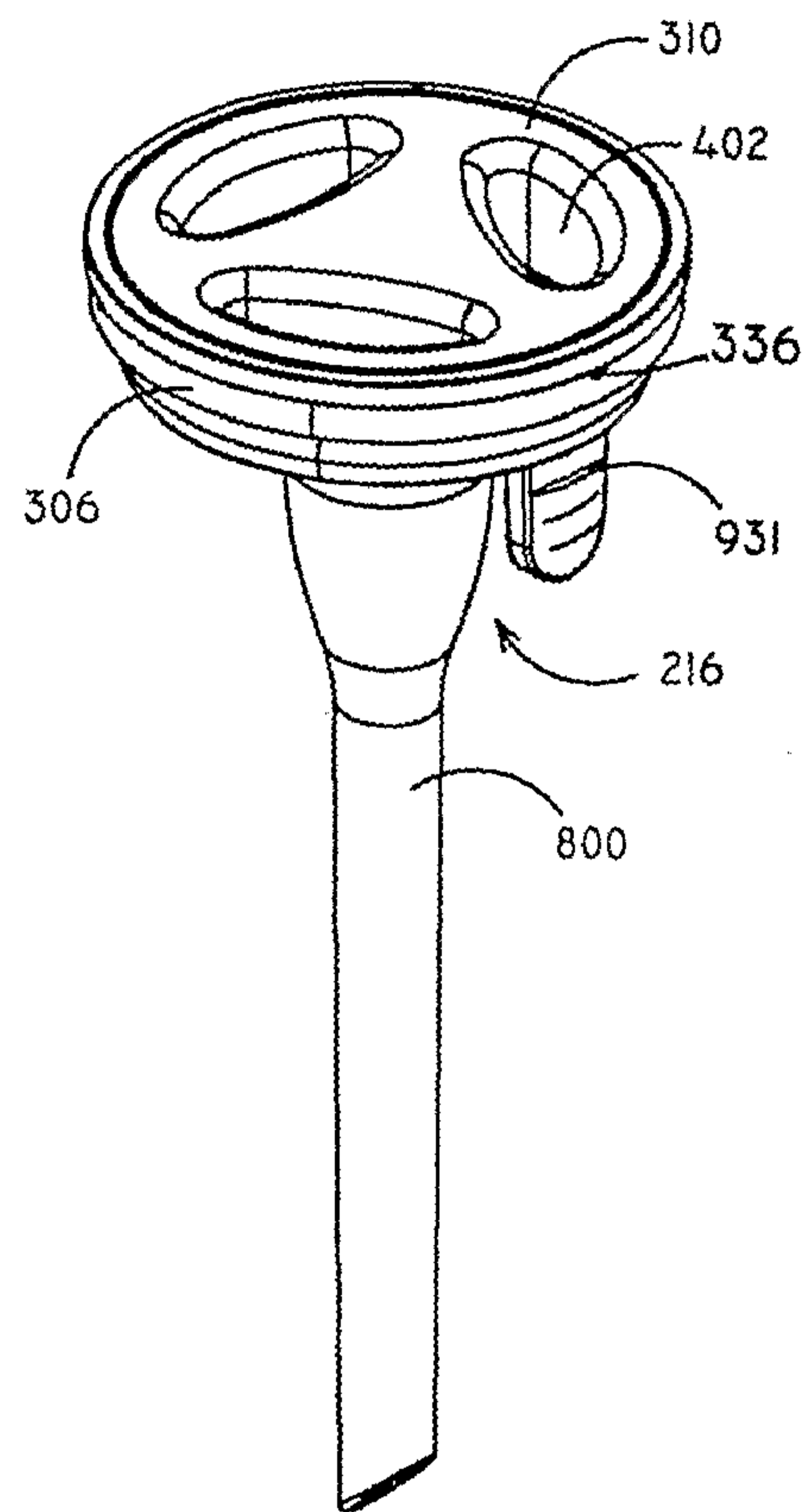


FIG. 14B

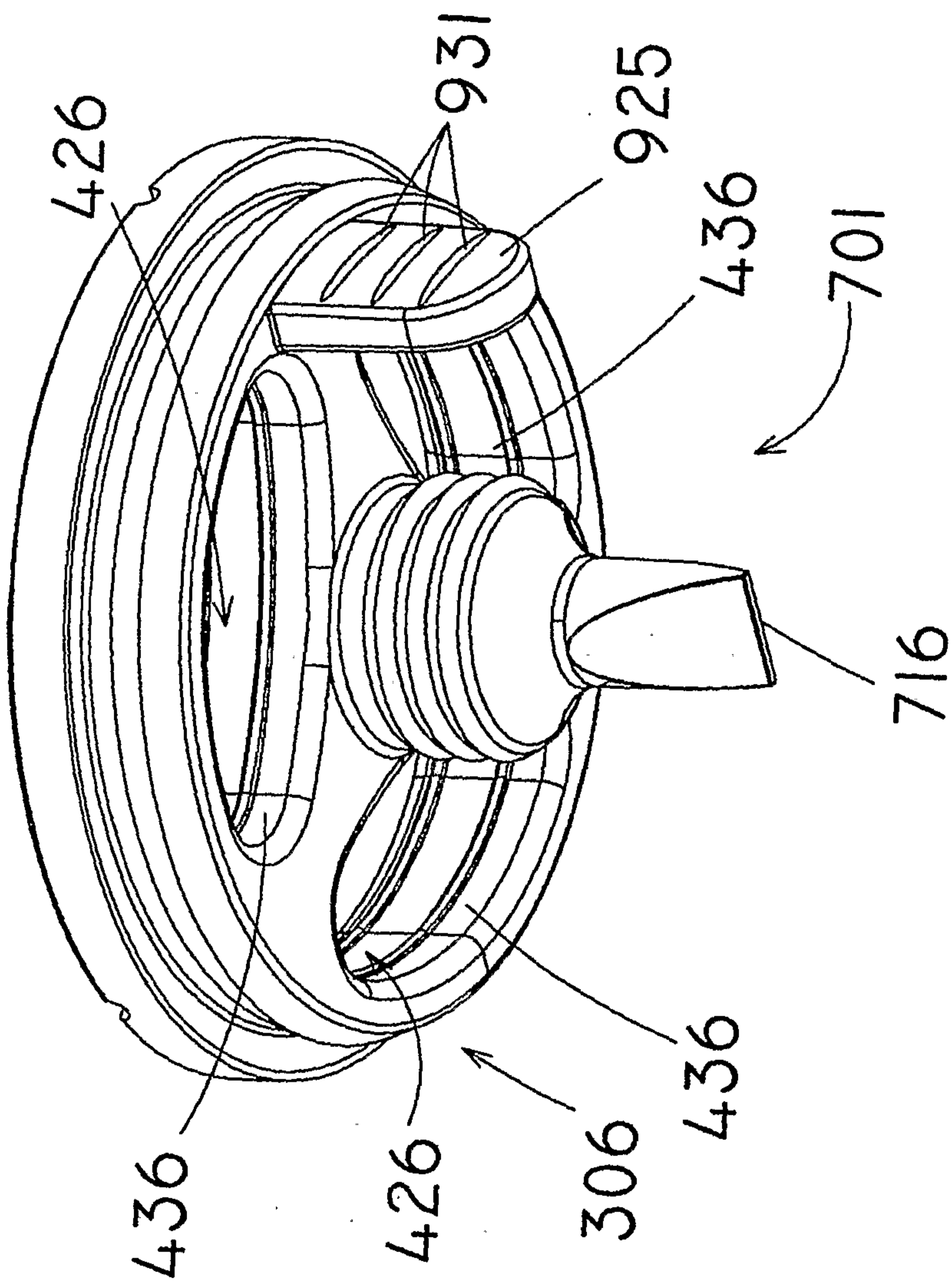


FIG. 15

