



US00D716010S

(12) **United States Design Patent**
Howard

(10) **Patent No.:** **US D716,010 S**

(45) **Date of Patent:** **** Oct. 21, 2014**

(54) **MOP**

(71) Applicant: **Michael Paul Howard**, Rochdale (GB)

(72) Inventor: **Michael Paul Howard**, Rochdale (GB)

(**) Term: **14 Years**

(21) Appl. No.: **29/467,449**

(22) Filed: **Sep. 19, 2013**

(51) **LOC (10) Cl.** **04-01**

(52) **U.S. Cl.**

USPC **D32/51**

(58) **Field of Classification Search**

USPC D32/40–46, 50, 51; 15/119.1, 228,
15/147.1, 229.8; 401/138–140
See application file for complete search history.

(56) **References Cited**

U.S. PATENT DOCUMENTS

D409,343 S * 5/1999 Kingry et al. D32/50
D552,315 S * 10/2007 Harper et al. D32/40

D613,013 S * 3/2010 Renner D32/51
D680,290 S * 4/2013 Hsiao D32/50
D685,969 S * 7/2013 Smith D32/50
8,596,896 B2 * 12/2013 Kimura 401/140

* cited by examiner

Primary Examiner — Robin V Webster

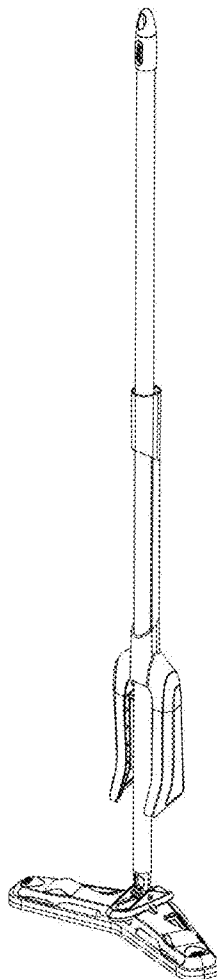
(57) **CLAIM**

The ornamental design for a mop, as shown.

DESCRIPTION

FIG. 1 is a front three quarter perspective view of our new design
FIG. 2 is a rear three quarter perspective view thereof
FIG. 3 is a side elevation thereof, opposite side is mirror image
FIG. 4 is a front elevation thereof
FIG. 5 is a rear elevation thereof; and,
FIG. 6 is a top elevation thereof.
Bottom is flat and unornamented.

1 Claim, 6 Drawing Sheets



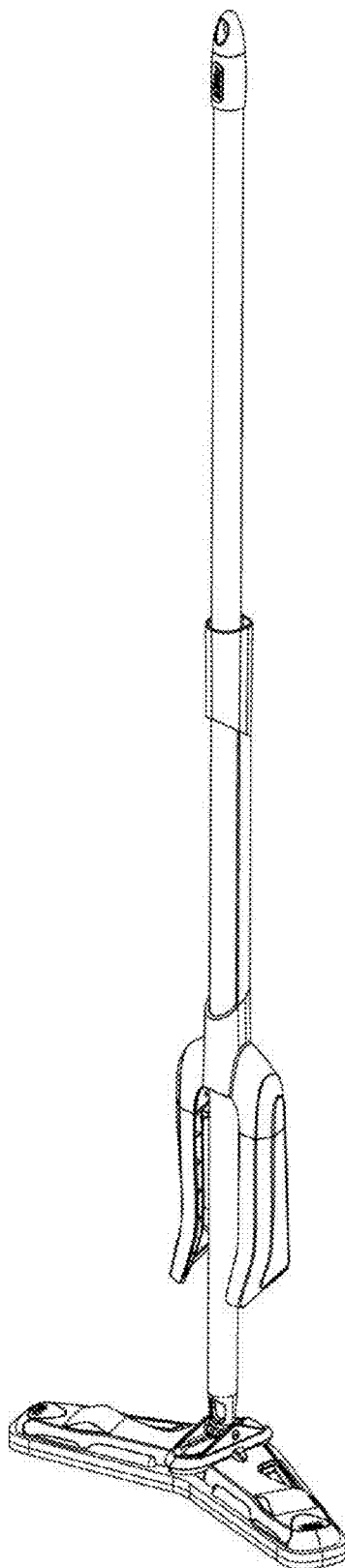


Fig. 1

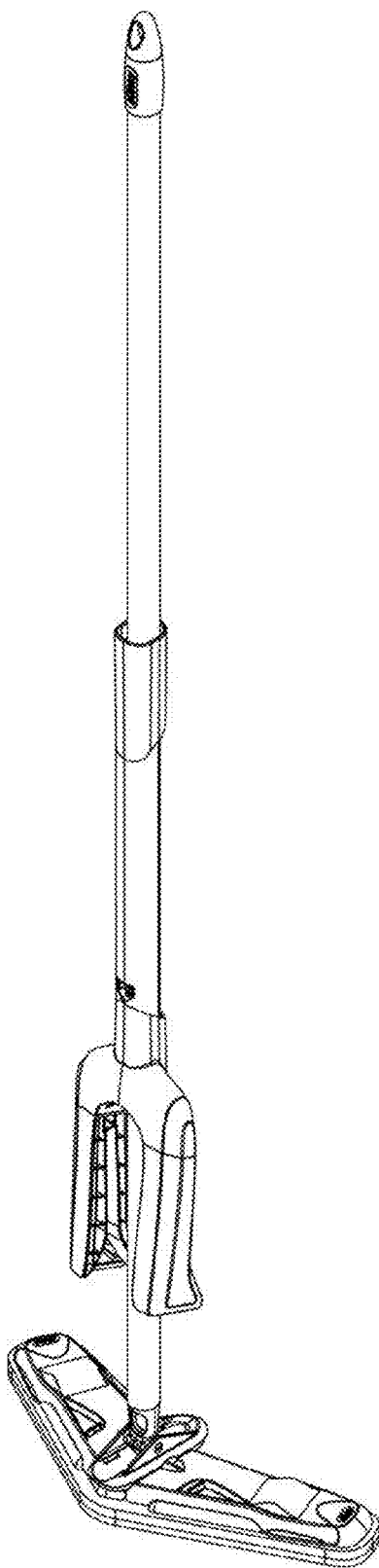


Fig. 2

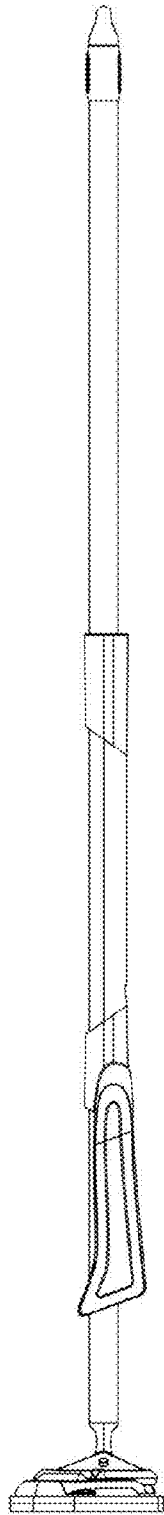


Fig. 3

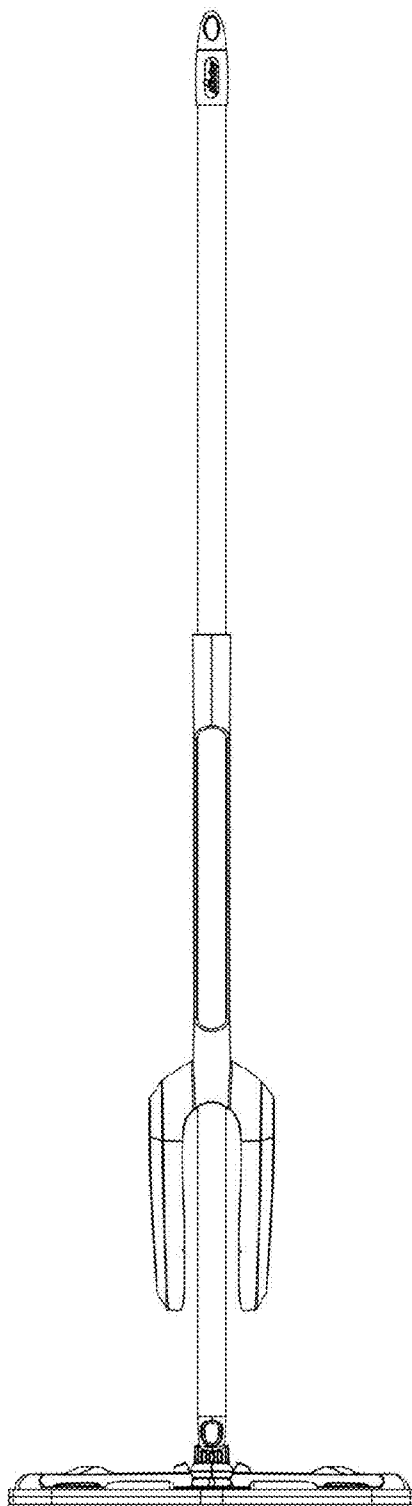


Fig. 4

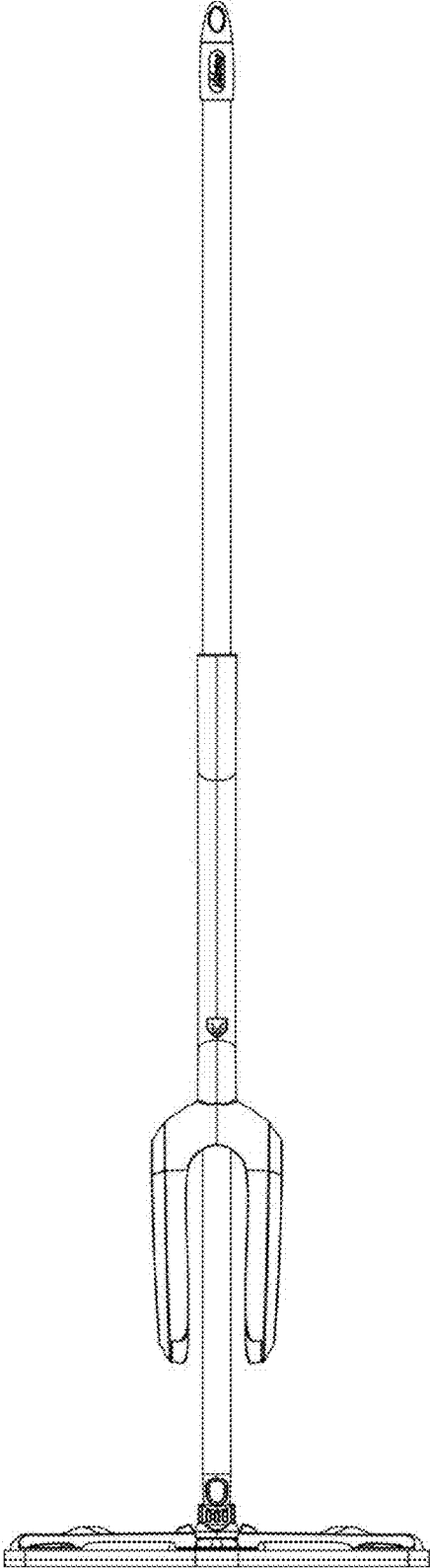


Fig. 5

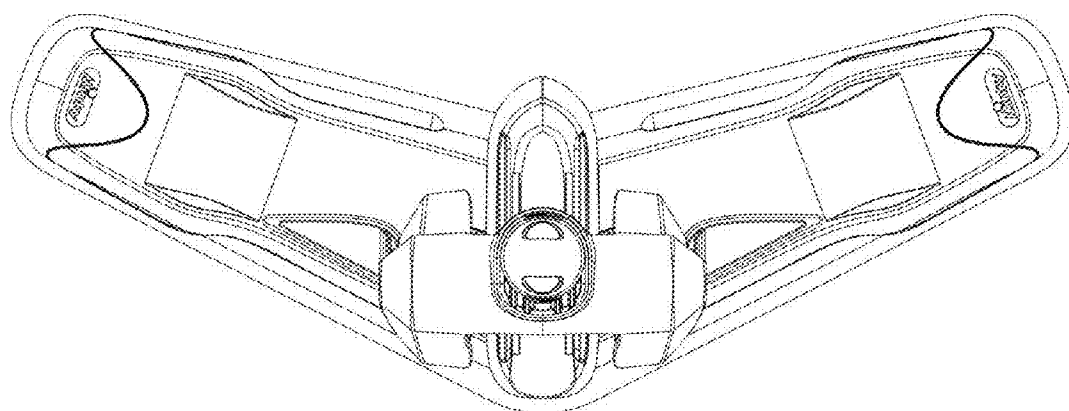


Fig. 6