



US00D487206S

(12) **United States Design Patent**
Lenger

(10) **Patent No.:** **US D487,206 S**

(45) **Date of Patent:** **** Mar. 2, 2004**

- (54) **CLOVERLEAF COFFEE TABLE**
- (75) Inventor: **Sidney A. Lenger**, Kernersville, NC (US)
- (73) Assignee: **American Signature, Inc.**, Columbus, OH (US)
- (**) Term: **14 Years**
- (21) Appl. No.: **29/183,741**
- (22) Filed: **Jun. 17, 2003**

D268,715 S	4/1983	Curry	D6/486
D331,673 S	12/1992	Faber	D6/441
D461,656 S	8/2002	Stanton	D6/488
D469,991 S	2/2003	Stanton	D6/486
D476,174 S	* 6/2003	Lenger	D6/484
D479,418 S	* 9/2003	Lenger	D6/511

* cited by examiner

Primary Examiner—Janice E. Seeger
(74) *Attorney, Agent, or Firm*—Wood, Herron & Evans, L.L.P.

Related U.S. Application Data

- (62) Division of application No. 29/174,278, filed on Jan. 15, 2003, now Pat. No. Des. 479,418, which is a division of application No. 29/161,873, filed on Jun. 5, 2002, now Pat. No. Des. 476,174.
- (51) **LOC (7) Cl.** **06-06**
- (52) **U.S. Cl.** **D6/511**; D6/484; D6/436; D6/441
- (58) **Field of Search** D6/480-489, 495, D6/511, 477, 479, 460, 461, 441, 436, 437; 108/153.1, 155, 156, 157, 161; 248/188, 188.1, 188.8

(57) **CLAIM**

The ornamental design for a cloverleaf coffee table, as shown and described.

DESCRIPTION

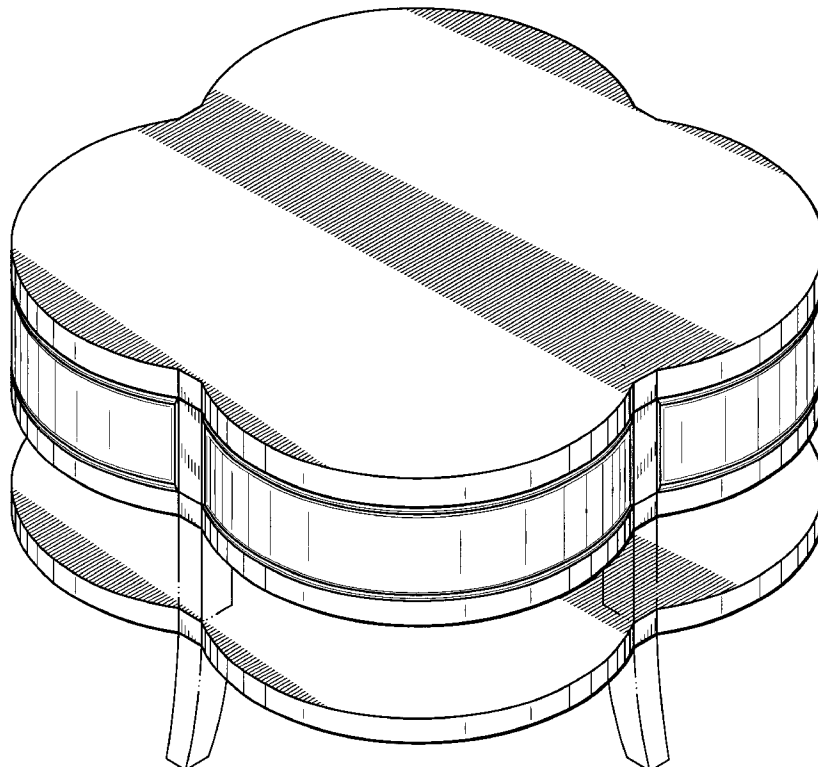
FIG. 1 is a perspective view of a cloverleaf coffee table showing my new design;
 FIG. 2 is a top plan view thereof;
 FIG. 3 is a front elevational view thereof, the right-side, left-side and rear elevational views thereof being identical to FIG. 3; and,
 FIG. 4 is a bottom plan view thereof.

The broken lines shown in the figures are for illustrative purposes only and form no part of the claimed cloverleaf coffee table design.

(56) **References Cited**
U.S. PATENT DOCUMENTS

D254,822 S 4/1980 Crespi D6/460

1 Claim, 3 Drawing Sheets



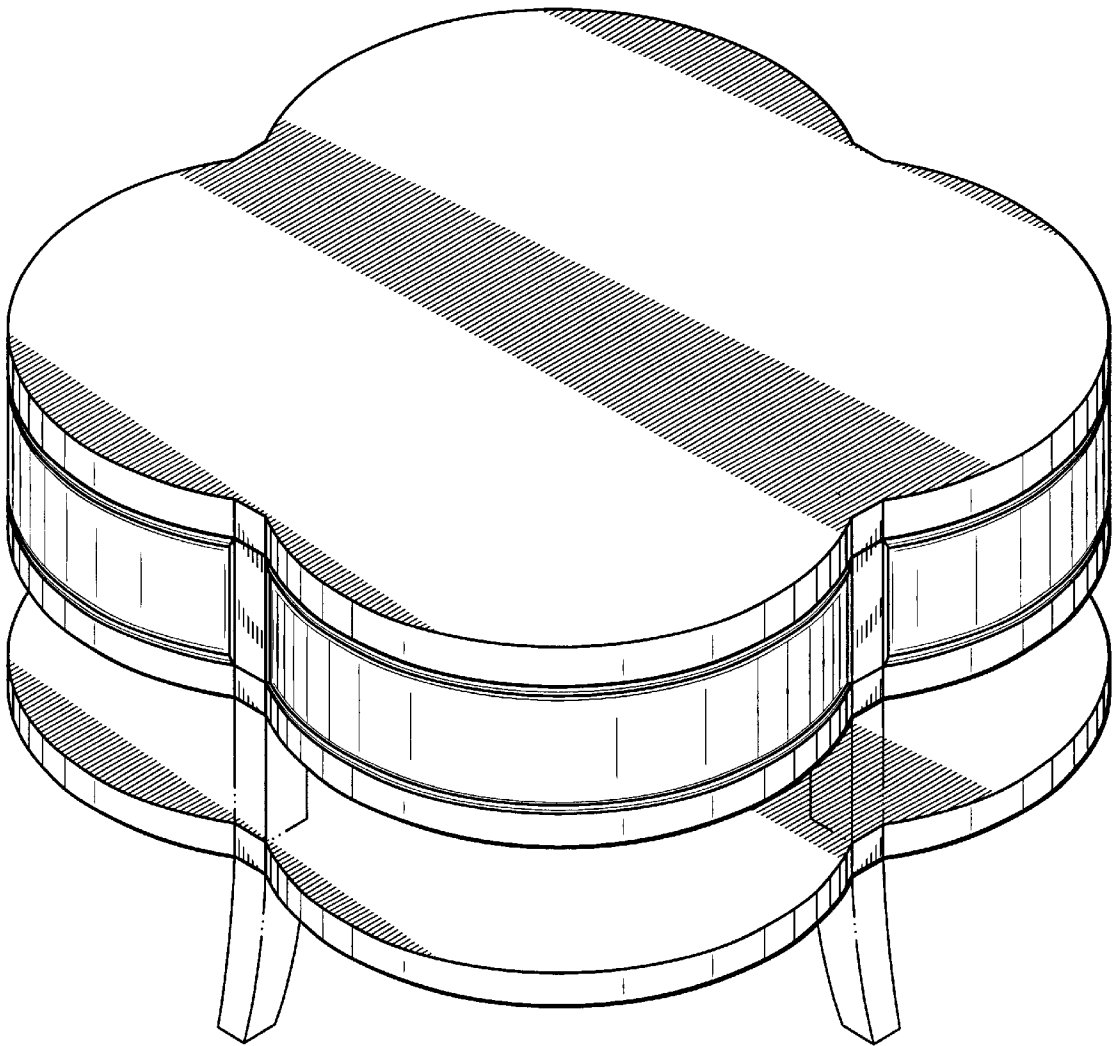


FIG. 1

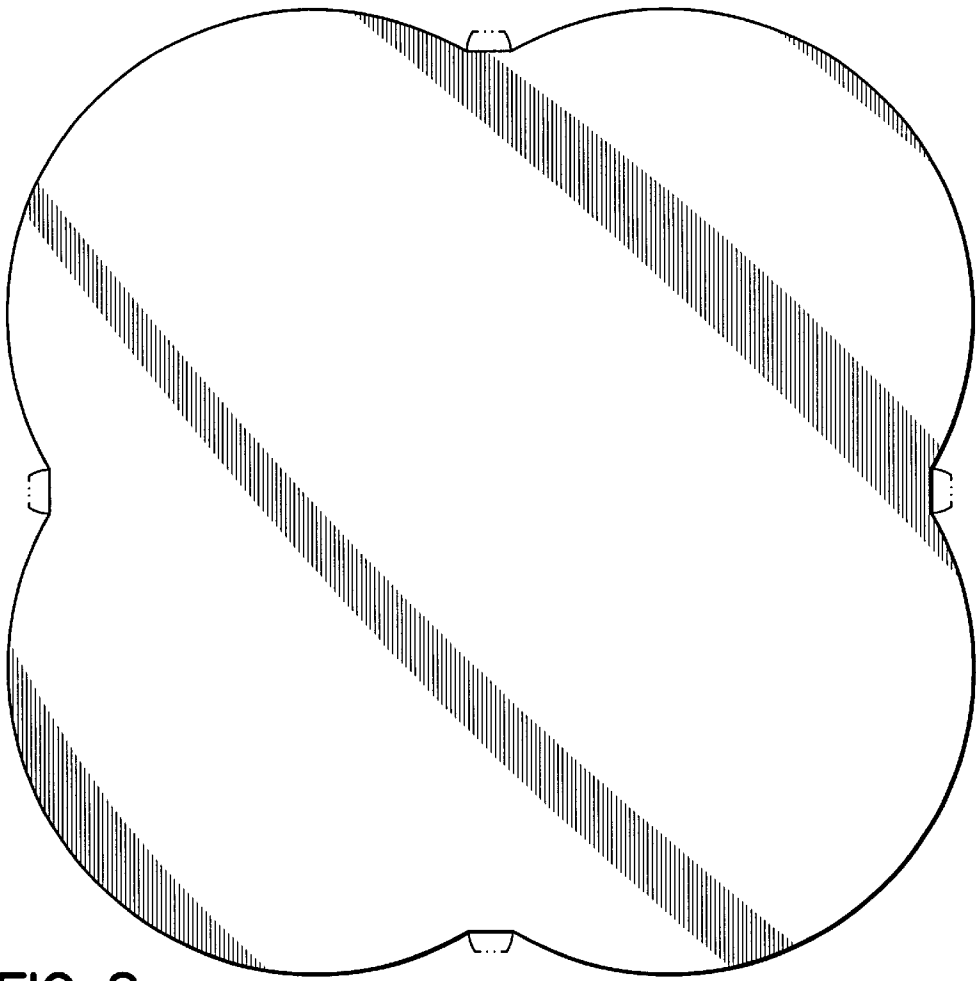


FIG. 2

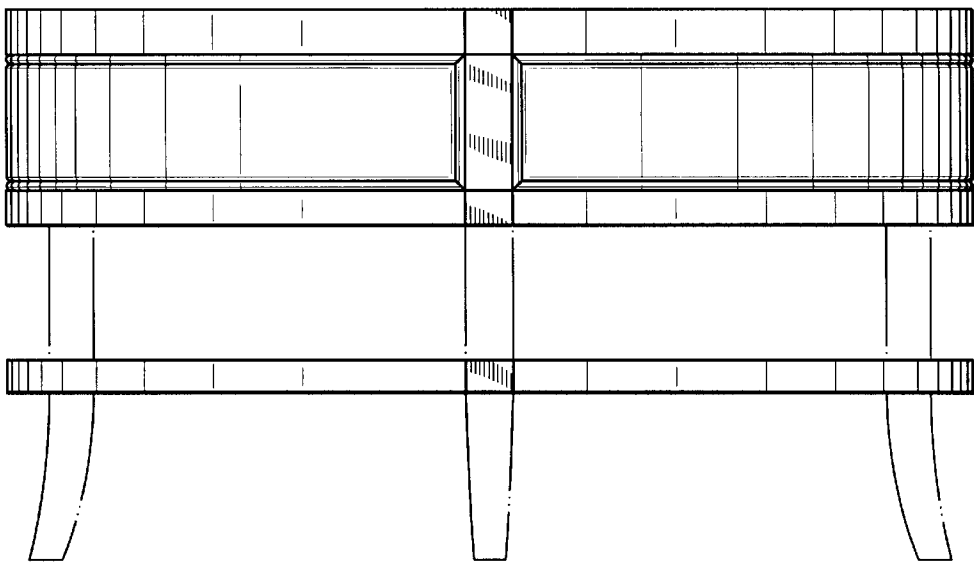


FIG. 3

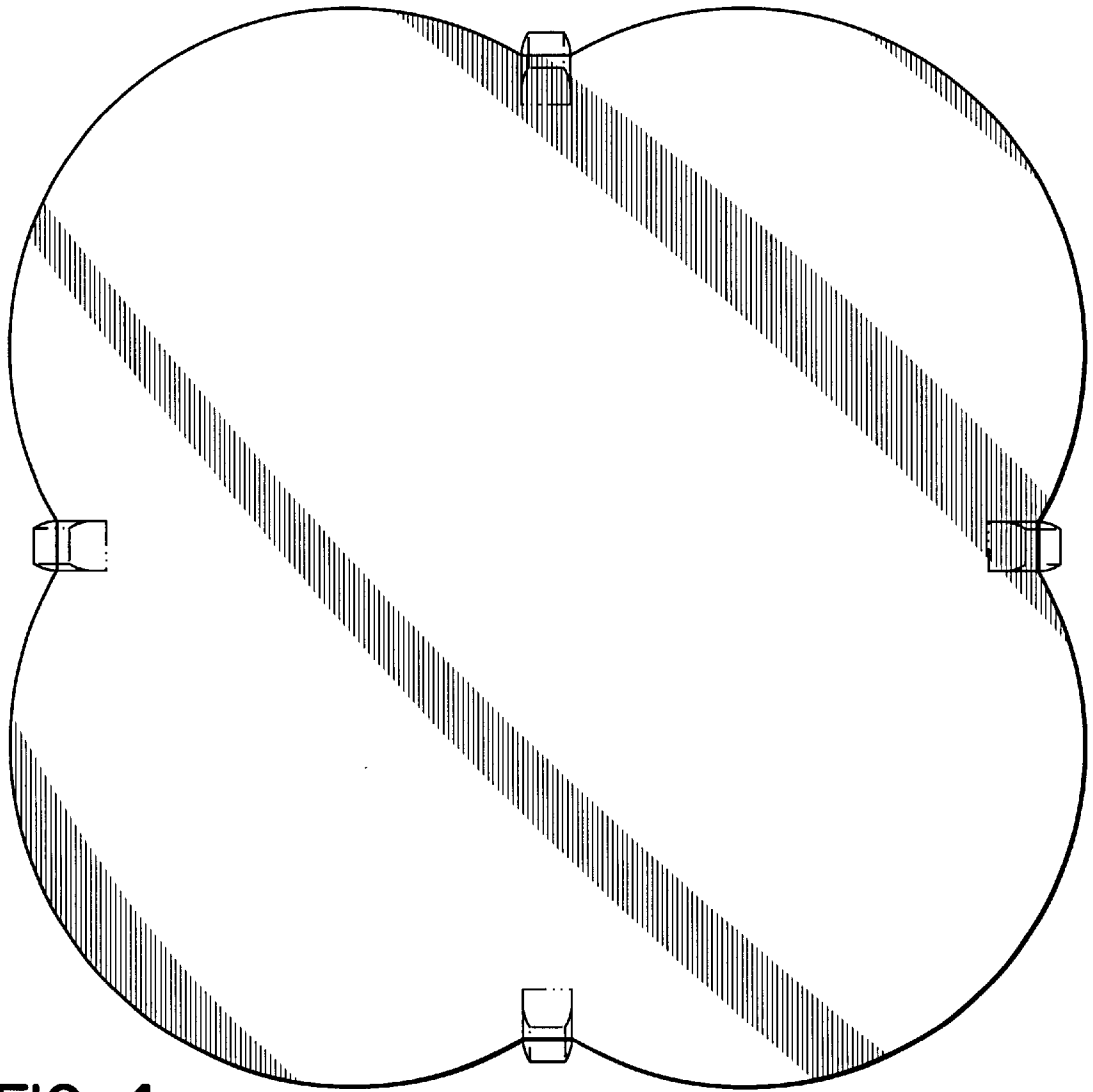


FIG. 4