



US00D370596S

United States Patent [19]

[11] Patent Number: **Des. 370,596**

Fleisher

[45] Date of Patent: ****Jun. 11, 1996**

[54] **TACO HOLDER**

D. 333,408 2/1993 Fleisheiz D7/504
D. 334,509 4/1993 Melvin D7/504

[76] Inventor: **Nathaniel Fleisher**, 258 Tuscany-E,
Delray Beach, Fla. 33446-1227

Primary Examiner—Terry A. Wallace

[**] Term: **14 Years**

[57] **CLAIM**

[21] Appl. No.: **43,260**

The ornamental design for a taco holder, as shown and described.

[22] Filed: **Aug. 30, 1995**

DESCRIPTION

Related U.S. Application Data

- [63] Continuation-in-part of Ser. No. 20,533, May 9, 1994.
- [52] U.S. Cl. **D7/504**
- [58] Field of Search D7/409, 504; D6/407,
D6/462; 99/426; 211/10, 11, 13, 71; 248/107,
153, 175

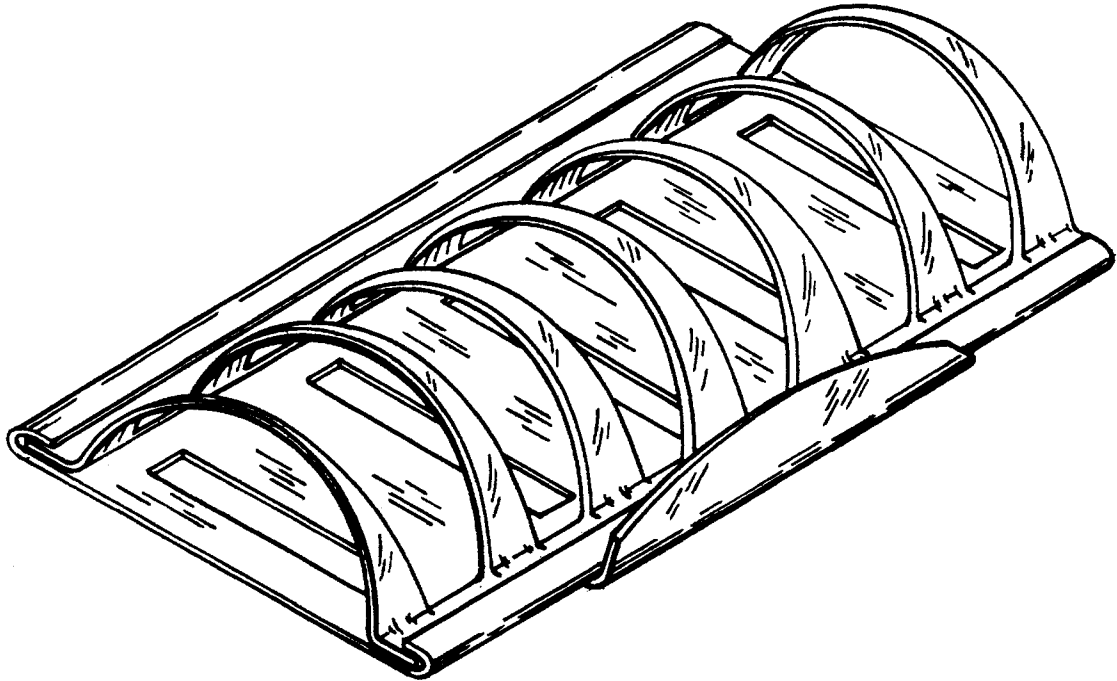
FIG. 1 is a perspective view of a taco holder showing my new design;
 FIG. 2 is a front elevation view thereof;
 FIG. 3 is a rear elevation view thereof;
 FIG. 4 is a bottom plan view thereof;
 FIG. 5 is a left side elevation view thereof; and,
 FIG. 6 is a right side elevation view thereof.

[56] References Cited

U.S. PATENT DOCUMENTS

D. 327,606 7/1992 Oellig et al. D7/504

1 Claim, 2 Drawing Sheets



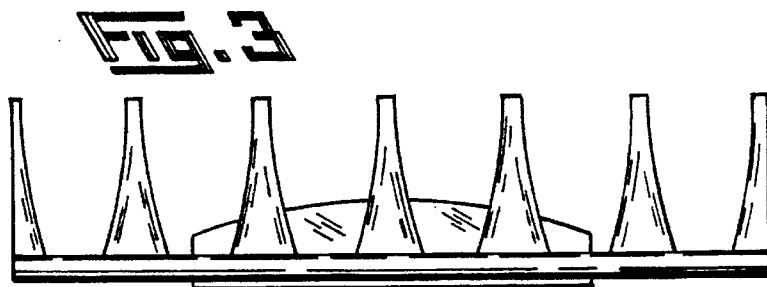
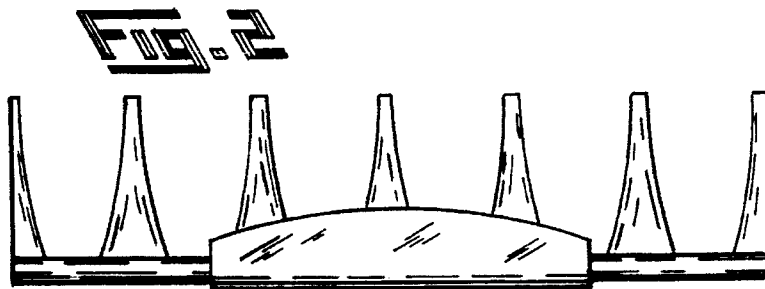
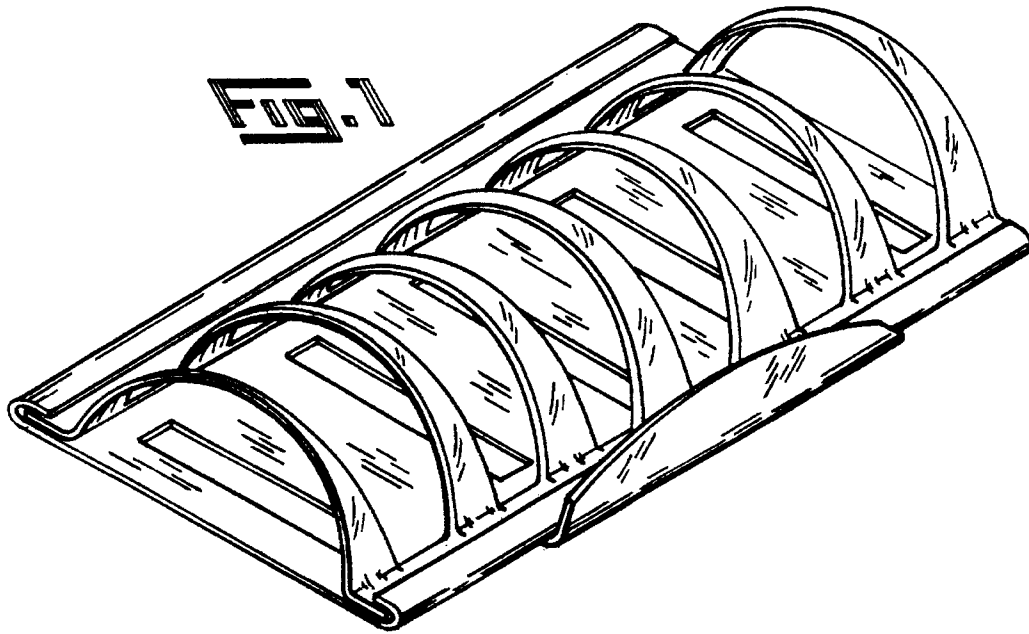


FIG. 4

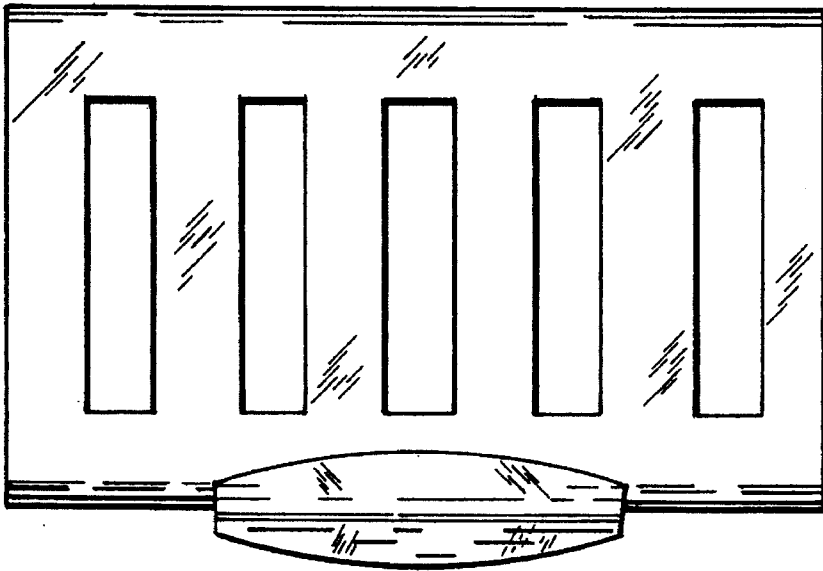


FIG. 5

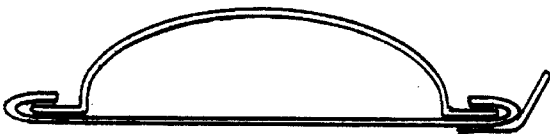


FIG. 6

