

(19) World Intellectual Property Organization  
International Bureau



(43) International Publication Date  
23 April 2009 (23.04.2009)

(10) International Publication Number  
**WO 2009/052187 A3**

- (51) International Patent Classification:  
A61F 9/01 (2006.01) A61F 9/007 (2006.01)  
A61F 9/008 (2006.01)
- (21) International Application Number:  
PCT/US2008/080003
- (22) International Filing Date:  
15 October 2008 (15.10.2008)
- (25) Filing Language: English
- (26) Publication Language: English
- (30) Priority Data:  
60/980,079 15 October 2007 (15.10.2007) US  
12/252,136 15 October 2008 (15.10.2008) US
- (72) Inventor; and
- (71) Applicant : STOKES, John P. [US/US]; 7733 Louis Pasteur, Apartment No. 311, San Antonio, Texas 78229 (US).
- (74) Agent: MEYERTONS, Eric B.; Meyertons, Hood, Kivlin, Kowert & Goetzel, P.C., P.O. Box 398, Austin, Texas 78767-0398 (US).
- (81) Designated States (unless otherwise indicated, for every kind of national protection available): AE, AG, AL, AM,

AO, AT, AU, AZ, BA, BB, BG, BH, BR, BW, BY, BZ, CA, CH, CN, CO, CR, CU, CZ, DE, DK, DM, DO, DZ, EC, EE, EG, ES, FI, GB, GD, GE, GH, GM, GT, HN, HR, HU, ID, IL, IN, IS, JP, KE, KG, KM, KN, KP, KR, KZ, LA, LC, LK, LR, LS, LT, LU, LY, MA, MD, ME, MG, MK, MN, MW, MX, MY, MZ, NA, NG, NI, NO, NZ, OM, PG, PH, PL, PT, RO, RS, RU, SC, SD, SE, SG, SK, SL, SM, ST, SV, SY, TJ, TM, TN, TR, TT, TZ, UA, UG, US, UZ, VC, VN, ZA, ZM, ZW.

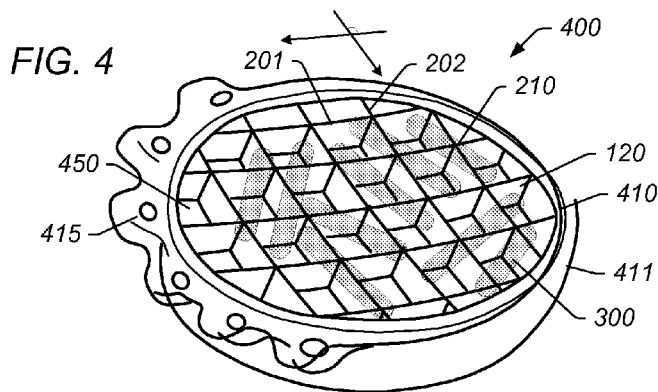
(84) Designated States (unless otherwise indicated, for every kind of regional protection available): ARIPO (BW, GH, GM, KE, LS, MW, MZ, NA, SD, SL, SZ, TZ, UG, ZM, ZW), Eurasian (AM, AZ, BY, KG, KZ, MD, RU, TJ, TM), European (AT, BE, BG, CH, CY, CZ, DE, DK, EE, ES, FI, FR, GB, GR, HR, HU, IE, IS, IT, LT, LU, LV, MC, MT, NL, NO, PL, PT, RO, SE, SI, SK, TR), OAPI (BF, BJ, CF, CG, CI, CM, GA, GN, GQ, GW, ML, MR, NE, SN, TD, TG).

**Published:**

— with international search report (Art. 21(3))

(88) Date of publication of the international search report:  
1 July 2010

(54) Title: CONVERGENT WELL IRRADIATING PLAQUE FOR CHOROIDDAL MELANOMA



(57) Abstract: Provided in some embodiments is a device suitable for treating an eye that includes a housing (110) and a plurality of fins (120). The housing (110) includes a base (112) and a rim (111) coupled to the perimeter of the base (112). The base (112) and the rim (111) at least partially define a cavity (150) in the housing (110), and the cavity (150) is configured to accept one or more radiation seeds (300). The plurality of fins (120) at least partially reside within or proximate the cavity (150) of the housing (110). At least a portion of the fins (120) are configured such that radiation emitted from one or more radiation seeds (300) positioned in the cavity (150) is substantially directed toward a center portion of the eye (C) during use.



WO 2009/052187 A3

## INTERNATIONAL SEARCH REPORT

International application No.  
**PCT/US2008/080003****A. CLASSIFICATION OF SUBJECT MATTER***A61F 9/01(2006.01)i, A61F 9/008(2006.01)i, A61F 9/007(2006.01)i*

According to International Patent Classification (IPC) or to both national classification and IPC

**B. FIELDS SEARCHED**

Minimum documentation searched (classification system followed by classification symbols)

IPC A61F 9/01, A61F 9/00, A61F 2/00, A61N 5/00, H01J 35/00, A61N 5/00

Documentation searched other than minimum documentation to the extent that such documents are included in the fields searched

Korean utility models and applications for utility models since 1975

Electronic data base consulted during the international search (name of data base and, where practicable, search terms used)

eKIPASS(KIPO internal) &amp; keywords: brachytherapy, radioactive, isotope, eye and choroidal melanoma.

**C. DOCUMENTS CONSIDERED TO BE RELEVANT**

Category*	Citation of document, with indication, where appropriate, of the relevant passages	Relevant to claim No.
A	KR 20-0222949 Y1 (KOREA ATOMIC ENERGY RESEARCH INSTITUTE) 15 May 2001 See the whole document.	1-37, 48
A	US 6,099,457 A (GOOD, R.) 08 August 2000 See the whole document.	1-37, 48
A	US 7,195,774 B2 (CARVALHO, R. A. P. et al.) 27 March 2007 See the whole document.	1-37, 48
A	US 2005/0074093 A1 (KINDLEIN, J. et al.) 07 April 2005 See the whole document.	1-37, 48
A	US 2002/0177748 A1 (MUNRO, J. J.) 28 November 2002 See the whole document.	1-37, 48

 Further documents are listed in the continuation of Box C. See patent family annex.

\* Special categories of cited documents:

"A" document defining the general state of the art which is not considered to be of particular relevance

"E" earlier application or patent but published on or after the international filing date

"L" document which may throw doubts on priority claim(s) or which is cited to establish the publication date of citation or other special reason (as specified)

"O" document referring to an oral disclosure, use, exhibition or other means

"P" document published prior to the international filing date but later than the priority date claimed

"T" later document published after the international filing date or priority date and not in conflict with the application but cited to understand the principle or theory underlying the invention

"X" document of particular relevance; the claimed invention cannot be considered novel or cannot be considered to involve an inventive step when the document is taken alone

"Y" document of particular relevance; the claimed invention cannot be considered to involve an inventive step when the document is combined with one or more other such documents, such combination being obvious to a person skilled in the art

"&amp;" document member of the same patent family

Date of the actual completion of the international search

27 APRIL 2009 (27.04.2009)

Date of mailing of the international search report

**27 APRIL 2009 (27.04.2009)**

Name and mailing address of the ISA/KR

Korean Intellectual Property Office  
Government Complex-Daejeon, 139 Seonsa-ro, Seo-gu, Daejeon 302-701, Republic of Korea

Facsimile No. 82-42-472-7140

Authorized officer

KIM Sang Woo

Telephone No. 82-42-481-8384



**INTERNATIONAL SEARCH REPORT**

International application No.

**PCT/US2008/080003****Box No. II Observations where certain claims were found unsearchable (Continuation of item 2 of first sheet)**

This international search report has not been established in respect of certain claims under Article 17(2)(a) for the following reasons:

1.  Claims Nos.: 38-47  
because they relate to subject matter not required to be searched by this Authority, namely:  
Claims 38-47 pertain to methods for treatment of human or animal body by therapy, thus relate to a subject matter which this International Searching Authority is not required, under Article 17(2)(a)(i) of the PCT and Rule 39.1(iv) of the Regulations under the PCT, to search.
2.  Claims Nos.:  
because they relate to parts of the international application that do not comply with the prescribed requirements to such an extent that no meaningful international search can be carried out, specifically:
3.  Claims Nos.:  
because they are dependent claims and are not drafted in accordance with the second and third sentences of Rule 6.4(a).

**Box No. III Observations where unity of invention is lacking (Continuation of item 3 of first sheet)**

This International Searching Authority found multiple inventions in this international application, as follows:

1.  As all required additional search fees were timely paid by the applicant, this international search report covers all searchable claims.
2.  As all searchable claims could be searched without effort justifying an additional fee, this Authority did not invite payment of any additional fee.
3.  As only some of the required additional search fees were timely paid by the applicant, this international search report covers only those claims for which fees were paid, specifically claims Nos.:
4.  No required additional search fees were timely paid by the applicant. Consequently, this international search report is restricted to the invention first mentioned in the claims; it is covered by claims Nos.:

**Remark on Protest**

- The additional search fees were accompanied by the applicant's protest and, where applicable, the payment of a protest fee.
- The additional search fees were accompanied by the applicant's protest but the applicable protest fee was not paid within the time limit specified in the invitation.
- No protest accompanied the payment of additional search fees.

**INTERNATIONAL SEARCH REPORT**

Information on patent family members

International application No.

**PCT/US2008/080003**

Patent document cited in search report	Publication date	Patent family member(s)	Publication date
KR 20-0222949 Y1	15.05.2001	None	
US 6099457 A	08.08.2000	AT 177018 T AU 8920791 A CA 2067804 A1 DE 69130944 D1 EP 0500928 A1 US 2004/0242953 A1 US 5342283 A US 6666811 B1 WO 92/03179 A1	15.03.1999 17.03.1992 14.02.1992 08.04.1999 02.09.1992 02.12.2004 30.08.1994 23.12.2003 05.03.1992
US 7195774 B2	27.03.2007	US 2003/0064088 A1	03.04.2003
US 2005/0074093 A1	07.04.2005	US 7217235 B2	15.05.2007
US 2002/0177748 A1	28.11.2002	EP 1256826 A2 US 2002/0169354 A1 US 6709381 B2	13.11.2002 14.11.2002 23.03.2004