

(19) World Intellectual Property Organization
International Bureau



(43) International Publication Date
1 November 2007 (01.11.2007)

PCT

(10) International Publication Number
WO 2007/124100 A3

- (51) International Patent Classification:
A61B 17/82 (2006.01) A61B 17/88 (2006.01)
- (21) International Application Number:
PCT/US2007/009740
- (22) International Filing Date: 20 April 2007 (20.04.2007)
- (25) Filing Language: English
- (26) Publication Language: English
- (30) Priority Data:
60/793,623 21 April 2006 (21.04.2006) US
- (71) Applicant (for CA only): SYNTHES (U.S.A.) [US/US];
1302 Wrights Lane East, West Chester, PA 19380 (US).
- (71) Applicant (for all designated States except CA, US): SYN-
THES GMBH [CH/CH]; Eimattstrasse 3, CH-4436 Ober-
dorf (CH).
- (72) Inventor; and
- (75) Inventor/Applicant (for US only): DELL'OCA, Alberto,
Fernandez [UY/UY]; 1781 Deauville, Montevideo, 11500
(UY).
- (74) Agent: KAPLUN, Oleg, F.; Fay Kaplun & Marcin, LLP,
150 Broadway, Suite 702, New York, NY 10038 (US).

- (81) Designated States (unless otherwise indicated, for every
kind of national protection available): AE, AG, AL, AM,
AT, AU, AZ, BA, BB, BG, BH, BR, BW, BY, BZ, CA, CH,
CN, CO, CR, CU, CZ, DE, DK, DM, DZ, EC, EE, EG, ES,
FI, GB, GD, GE, GH, GM, GT, HN, HR, HU, ID, IL, IN,
IS, JP, KE, KG, KM, KN, KP, KR, KZ, LA, LC, LK, LR,
LS, LT, LU, LY, MA, MD, MG, MK, MN, MW, MX, MY,
MZ, NA, NG, NI, NO, NZ, OM, PG, PH, PL, PT, RO, RS,
RU, SC, SD, SE, SG, SK, SL, SM, SV, SY, TJ, TM, TN,
TR, TT, TZ, UA, UG, US, UZ, VC, VN, ZA, ZM, ZW.
- (84) Designated States (unless otherwise indicated, for every
kind of regional protection available): ARIPO (BW, GH,
GM, KE, LS, MW, MZ, NA, SD, SL, SZ, TZ, UG, ZM,
ZW), Eurasian (AM, AZ, BY, KG, KZ, MD, RU, TJ, TM),
European (AT, BE, BG, CH, CY, CZ, DE, DK, EE, ES, FI,
FR, GB, GR, HU, IE, IS, IT, LT, LU, LV, MC, MT, NL, PL,
PT, RO, SE, SI, SK, TR), OAPI (BF, BJ, CF, CG, CI, CM,
GA, GN, GQ, GW, ML, MR, NE, SN, TD, TG).

Published:

- with international search report
- before the expiration of the time limit for amending the
claims and to be republished in the event of receipt of
amendments

(88) Date of publication of the international search report:
6 November 2008

(54) Title: LONG-NOSED CRIMP PLIERS FOR USE IN ORTHOPEDICS

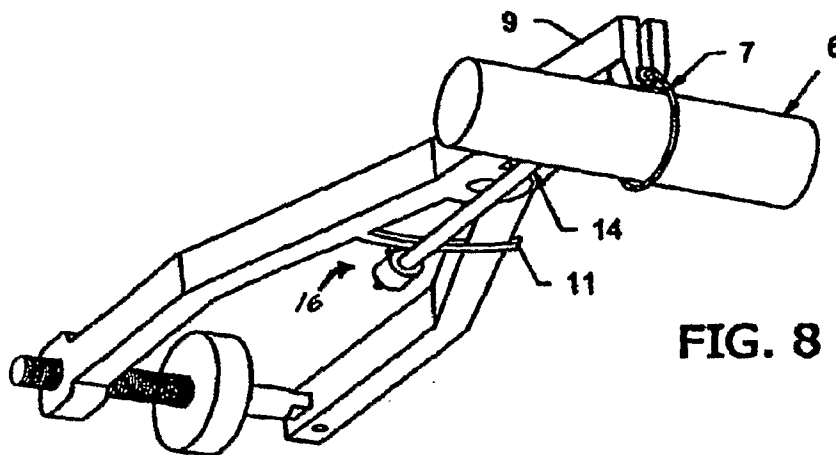


FIG. 8

(57) **Abstract:** Cable and crimp assembly kits for fixing bone fractures include long-nose crimp pliers that have a pair of operating handles and connected opposed long jaws. The long jaws are designed to hold and crush a wire crimp. The jaws are long and narrow enough to be able to insert and crush a crimp through a small incision, such as used by a known wire passer tool, at a deeply located bone without spreading or opening wider the small incision. The long-nosed pliers can be used with a crimp alone or with a crimp and an intermediate part that provisionally holds a tension applied to an associated cable or wire.

WO 2007/124100 A3

INTERNATIONAL SEARCH REPORT

International application No
PCT/US2007/009740

A. CLASSIFICATION OF SUBJECT MATTER
INV. A61B17/82 A61B17/88

According to International Patent Classification (IPC) or to both national classification and IPC

B. FIELDS SEARCHED

Minimum documentation searched (classification system followed by classification symbols)
A61B A61C

Documentation searched other than minimum documentation to the extent that such documents are included in the fields searched

Electronic data base consulted during the international search (name of data base and, where practical, search terms used)

EPO-Internal

C. DOCUMENTS CONSIDERED TO BE RELEVANT

Category*	Citation of document, with indication, where appropriate, of the relevant passages	Relevant to claim No.
X	US 4 966 600 A (SONGER ROBERT J [US] ET AL) 30 October 1990 (1990-10-30) cited in the application column 4, lines 14-28; figure 1	1-5
A	WO 93/15880 A (HILLWAY SURGICAL LTD [GB]) 19 August 1993 (1993-08-19) abstract; figures 2,3	1
A	US 6 383 200 B1 (WOTTON III HARRY [US]) 7 May 2002 (2002-05-07) abstract; figures 11,12	1
A	US 5 395 236 A (KHOURI SUHAIL A [US]) 7 March 1995 (1995-03-07) figure 2	1
	----- -/--	

Further documents are listed in the continuation of Box C.

See patent family annex.

* Special categories of cited documents :

- *A* document defining the general state of the art which is not considered to be of particular relevance
- *E* earlier document but published on or after the international filing date
- *L* document which may throw doubts on priority claim(s) or which is cited to establish the publication date of another citation or other special reason (as specified)
- *O* document referring to an oral disclosure, use, exhibition or other means
- *P* document published prior to the international filing date but later than the priority date claimed

- *T* later document published after the international filing date or priority date and not in conflict with the application but cited to understand the principle or theory underlying the invention
- *X* document of particular relevance; the claimed invention cannot be considered novel or cannot be considered to involve an inventive step when the document is taken alone
- *Y* document of particular relevance; the claimed invention cannot be considered to involve an inventive step when the document is combined with one or more other such documents, such combination being obvious to a person skilled in the art.
- *Z* document member of the same patent family

Date of the actual completion of the international search

19 August 2008

Date of mailing of the international search report

28/08/2008

Name and mailing address of the ISA/

European Patent Office, P.B. 5618 Patentlaan 2
NL - 2280 HV Rijswijk
Tel. (+31-70) 340-2040, Tx. 31 651 epo nl,
Fax: (+31-70) 340-3016

Authorized officer

Béraud, Florent

INTERNATIONAL SEARCH REPORT

International application No
PCT/US2007/009740

C(Continuation). DOCUMENTS CONSIDERED TO BE RELEVANT

Category*	Citation of document, with indication, where appropriate, of the relevant passages	Relevant to claim No.
A	US 2 725 632 A (MICHAEL RABBen) 6 December 1955 (1955-12-06) column 1, lines 64-18; figure 2 column 2, lines 49-59 -----	1
A	US 2 959 858 A (DRAKE DANIEL H) 15 November 1960 (1960-11-15) column 2, lines 6-25; figure 1 -----	1

INTERNATIONAL SEARCH REPORT

International application No.
PCT/US2007/009740

Box No. II Observations where certain claims were found unsearchable (Continuation of item 2 of first sheet)

This international search report has not been established in respect of certain claims under Article 17(2)(a) for the following reasons:

1. Claims Nos.: 10-18
because they relate to subject matter not required to be searched by this Authority, namely:
Rule 39.1(iv) PCT - Method for treatment of the human or animal body by surgery
From the description, the word "enclosure" used in claims 10 and 13 unambiguously refers to a human body (title: "orthopedics", p.1. 1 "surgical cable around a bone using minimally invasive techniques").
2. Claims Nos.:
because they relate to parts of the international application that do not comply with the prescribed requirements to such an extent that no meaningful international search can be carried out, specifically:
3. Claims Nos.:
because they are dependent claims and are not drafted in accordance with the second and third sentences of Rule 6.4(a).

Box No. III Observations where unity of invention is lacking (Continuation of item 3 of first sheet)

This International Searching Authority found multiple inventions in this international application, as follows:

1. As all required additional search fees were timely paid by the applicant, this international search report covers all searchable claims.
2. As all searchable claims could be searched without effort justifying an additional fees, this Authority did not invite payment of additional fees.
3. As only some of the required additional search fees were timely paid by the applicant, this international search report covers only those claims for which fees were paid, specifically claims Nos.:
4. No required additional search fees were timely paid by the applicant. Consequently, this international search report is restricted to the invention first mentioned in the claims; it is covered by claims Nos.:

Remark on Protest

- The additional search fees were accompanied by the applicant's protest and, where applicable, the payment of a protest fee.
- The additional search fees were accompanied by the applicant's protest but the applicable protest fee was not paid within the time limit specified in the invitation.
- No protest accompanied the payment of additional search fees.

INTERNATIONAL SEARCH REPORT

Information on patent family members

International application No
PCT/US2007/009740

Patent document cited in search report	Publication date	Patent family member(s)	Publication date
US 4966600	A	30-10-1990	NONE
WO 9315880	A	19-08-1993	EP 0625085 A1 23-11-1994 JP 7503907 T 27-04-1995
US 6383200	B1	07-05-2002	NONE
US 5395236	A	07-03-1995	NONE
US 2725632	A	06-12-1955	NONE
US 2959858	A	15-11-1960	NONE