

(19) World Intellectual Property Organization
International Bureau



(43) International Publication Date
30 March 2006 (30.03.2006)

PCT

(10) International Publication Number
WO 2006/033085 A3

(51) International Patent Classification:
H02P 25/00 (2006.01) H02P 27/00 (2006.01)

(74) Agent: ANKARA PATENT BUREAU; Bestekar Sokak
No.10, Kavaklidere, 06680 Ankara (TR).

(21) International Application Number:
PCT/IB2005/053156

(81) Designated States (unless otherwise indicated, for every kind of national protection available): AE, AG, AL, AM, AT, AU, AZ, BA, BB, BG, BR, BW, BY, BZ, CA, CH, CN, CO, CR, CU, CZ, DE, DK, DM, DZ, EC, EE, EG, ES, FI, GB, GD, GE, GH, GM, HR, HU, ID, IL, IN, IS, JP, KE, KG, KM, KP, KR, KZ, LC, LK, LR, LS, LT, LU, LV, LY, MA, MD, MG, MK, MN, MW, MX, MZ, NA, NG, NI, NO, NZ, OM, PG, PH, PL, PT, RO, RU, SC, SD, SE, SG, SK, SL, SM, SY, TJ, TM, TN, TR, TT, TZ, UA, UG, US, UZ, VC, VN, YU, ZA, ZM, ZW.

(22) International Filing Date:
23 September 2005 (23.09.2005)

(25) Filing Language: English

(26) Publication Language: English

(30) Priority Data:
2004/02447 24 September 2004 (24.09.2004) TR

(71) Applicant (for all designated States except US): ARCELİK ANONİM ŞİRKETİ [TR/TR]; E5 Ankara Asfaltı Uzeri, Tuzla, 34950 Istanbul (TR).

(84) Designated States (unless otherwise indicated, for every kind of regional protection available): ARIPO (BW, GH, GM, KE, LS, MW, MZ, NA, SD, SL, SZ, TZ, UG, ZM, ZW), Eurasian (AM, AZ, BY, KG, KZ, MD, RU, TJ, TM), European (AT, BE, BG, CH, CY, CZ, DE, DK, EE, ES, FI, FR, GB, GR, HU, IE, IS, IT, LT, LU, LV, MC, NL, PL, PT, RO, SE, SI, SK, TR), OAPI (BF, BJ, CF, CG, CI, CM, GA, GN, GQ, GW, ML, MR, NE, SN, TD, TG).

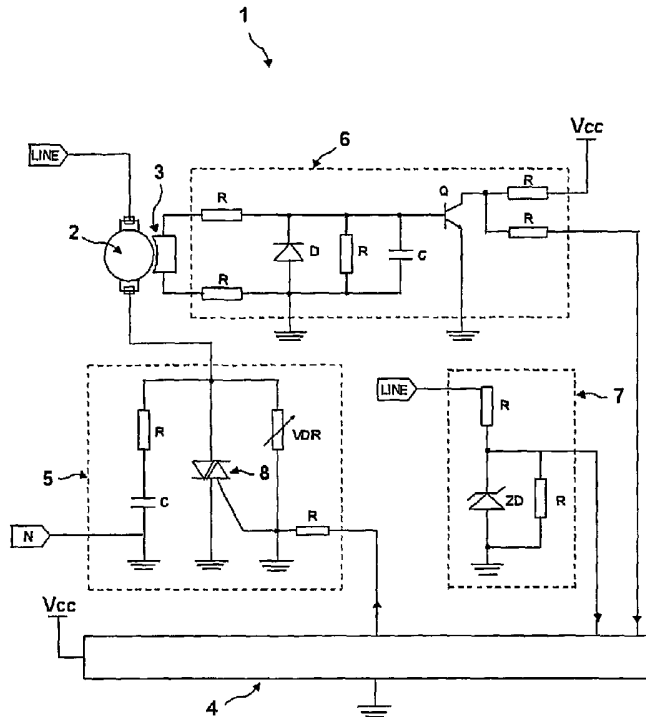
(72) Inventors; and

(75) Inventors/Applicants (for US only): ERENAY, Kerem [TR/TR]; Arcelik Anonim Sirketi, E5 Ankara Asfaltı Uzeri, Tuzla, 34950 Istanbul (TR). TEZDUYAR, Latif [TR/TR]; Arcelik Anonim Sirketi, E5 Ankara Asfaltı Uzeri, Tuzla, 34950 Istanbul (TR). MERTER, Ertugrul [TR/TR]; Arcelik Anonim Sirketi, E5 Ankara Asfaltı Uzeri, Tuzla, 34950 Istanbul (TR).

Published:
— with international search report

[Continued on next page]

(54) Title: A MOTOR CONTROL CIRCUIT



(57) Abstract: This invention relates to a motor control circuit (1) which increases the efficient power of Universal AC motors (2) used in actuating high capacity washing machines without leading to a reduction of life expectancy of current conducting components of the motor (2) like brush, collector etc.

WO 2006/033085 A3




(88) Date of publication of the international search report:

11 May 2006

For two-letter codes and other abbreviations, refer to the "Guidance Notes on Codes and Abbreviations" appearing at the beginning of each regular issue of the PCT Gazette.

INTERNATIONAL SEARCH REPORT

International application No
 /IB2005/053156

A. CLASSIFICATION OF SUBJECT MATTER H02P25/00 H02P27/00				
According to International Patent Classification (IPC) or to both national classification and IPC				
B. FIELDS SEARCHED				
Minimum documentation searched (classification system followed by classification symbols) H02P				
Documentation searched other than minimum documentation to the extent that such documents are included in the fields searched				
Electronic data base consulted during the international search (name of data base and, where practical, search terms used) EPO-Internal, PAJ, WPI Data				
C. DOCUMENTS CONSIDERED TO BE RELEVANT				
Category*	Citation of document, with indication, where appropriate, of the relevant passages	Relevant to claim No.		
Y A Y A	PATENT ABSTRACTS OF JAPAN vol. 1995, no. 02, 31 March 1995 (1995-03-31) -& JP 06 311776 A (TOSHIBA CORP), 4 November 1994 (1994-11-04) abstract figures 1,5 ----- DE 40 08 904 A1 (AKO-WERKE GMBH & CO KG, 7988 WANGEN, DE) 26 September 1991 (1991-09-26) column 1, lines 27-66 column 3, lines 16-61 claim 1 figures 1-3 ----- -/--	1-5 6,7 1-5 6,7		
<input checked="" type="checkbox"/> Further documents are listed in the continuation of Box C.				
<input checked="" type="checkbox"/> See patent family annex.				
* Special categories of cited documents :				
<table style="width: 100%; border: none;"> <tr> <td style="width: 50%; border: none; vertical-align: top;"> *A* document defining the general state of the art which is not considered to be of particular relevance *E* earlier document but published on or after the international filing date *L* document which may throw doubts on priority claim(s) or which is cited to establish the publication date of another citation or other special reason (as specified) *O* document referring to an oral disclosure, use, exhibition or other means *P* document published prior to the international filing date but later than the priority date claimed </td> <td style="width: 50%; border: none; vertical-align: top;"> *T* later document published after the international filing date or priority date and not in conflict with the application but cited to understand the principle or theory underlying the invention *X* document of particular relevance; the claimed invention cannot be considered novel or cannot be considered to involve an inventive step when the document is taken alone *Y* document of particular relevance; the claimed invention cannot be considered to involve an inventive step when the document is combined with one or more other such documents, such combination being obvious to a person skilled in the art. *&* document member of the same patent family </td> </tr> </table>			*A* document defining the general state of the art which is not considered to be of particular relevance *E* earlier document but published on or after the international filing date *L* document which may throw doubts on priority claim(s) or which is cited to establish the publication date of another citation or other special reason (as specified) *O* document referring to an oral disclosure, use, exhibition or other means *P* document published prior to the international filing date but later than the priority date claimed	*T* later document published after the international filing date or priority date and not in conflict with the application but cited to understand the principle or theory underlying the invention *X* document of particular relevance; the claimed invention cannot be considered novel or cannot be considered to involve an inventive step when the document is taken alone *Y* document of particular relevance; the claimed invention cannot be considered to involve an inventive step when the document is combined with one or more other such documents, such combination being obvious to a person skilled in the art. *&* document member of the same patent family
A document defining the general state of the art which is not considered to be of particular relevance *E* earlier document but published on or after the international filing date *L* document which may throw doubts on priority claim(s) or which is cited to establish the publication date of another citation or other special reason (as specified) *O* document referring to an oral disclosure, use, exhibition or other means *P* document published prior to the international filing date but later than the priority date claimed	*T* later document published after the international filing date or priority date and not in conflict with the application but cited to understand the principle or theory underlying the invention *X* document of particular relevance; the claimed invention cannot be considered novel or cannot be considered to involve an inventive step when the document is taken alone *Y* document of particular relevance; the claimed invention cannot be considered to involve an inventive step when the document is combined with one or more other such documents, such combination being obvious to a person skilled in the art. *&* document member of the same patent family			
Date of the actual completion of the International search <p style="text-align: center;">10 February 2006</p>		Date of mailing of the international search report <p style="text-align: center;">17/02/2006</p>		
Name and mailing address of the ISA/ European Patent Office, P.B. 5818 Patentlaan 2 NL - 2280 HV Rijswijk Tel. (+31-70) 340-2040, Tx. 31 651 epo nl, Fax: (+31-70) 340-3016		Authorized officer <p style="text-align: center;">Roider, A</p>		

INTERNATIONAL SEARCH REPORT

International application No
PCT/IB2005/053156

C(Continuation). DOCUMENTS CONSIDERED TO BE RELEVANT		
Category	Citation of document, with indication, where appropriate, of the relevant passages	Relevant to claim No.
A	US 6 208 113 B1 (LELKES ANDRÁS ET AL) 27 March 2001 (2001-03-27) column 5, line 8 - column 6, line 7 figures 4-6 -----	1-7
A	US 2001/011879 A1 (ERDMAN DAVID M) 9 August 2001 (2001-08-09) paragraph '0028! figures 4,5 -----	1-7
A	PATENT ABSTRACTS OF JAPAN vol. 1997, no. 01, 31 January 1997 (1997-01-31) & JP 08 238393 A (MITSUBISHI ELECTRIC CORP), 17 September 1996 (1996-09-17) abstract -----	1-7

INTERNATIONAL SEARCH REPORT

International application No
PCT/IB2005/053156

Patent document cited in search report	Publication date	Patent family member(s)	Publication date															
JP 06311776	A	04-11-1994	NONE															
DE 4008904	A1	26-09-1991	NONE															
US 6208113	B1	27-03-2001	<table style="width: 100%; border-collapse: collapse;"> <tr> <td style="width: 15%;">AT</td> <td style="width: 35%;">253783 T</td> <td style="width: 50%;">15-11-2003</td> </tr> <tr> <td>CN</td> <td>1248817 A</td> <td>29-03-2000</td> </tr> <tr> <td>DE</td> <td>19843106 A1</td> <td>30-03-2000</td> </tr> <tr> <td>EP</td> <td>0989666 A1</td> <td>29-03-2000</td> </tr> <tr> <td>ES</td> <td>2209300 T3</td> <td>16-06-2004</td> </tr> </table>	AT	253783 T	15-11-2003	CN	1248817 A	29-03-2000	DE	19843106 A1	30-03-2000	EP	0989666 A1	29-03-2000	ES	2209300 T3	16-06-2004
AT	253783 T	15-11-2003																
CN	1248817 A	29-03-2000																
DE	19843106 A1	30-03-2000																
EP	0989666 A1	29-03-2000																
ES	2209300 T3	16-06-2004																
US 2001011879	A1	09-08-2001	NONE															
JP 08238393	A	17-09-1996	NONE															