

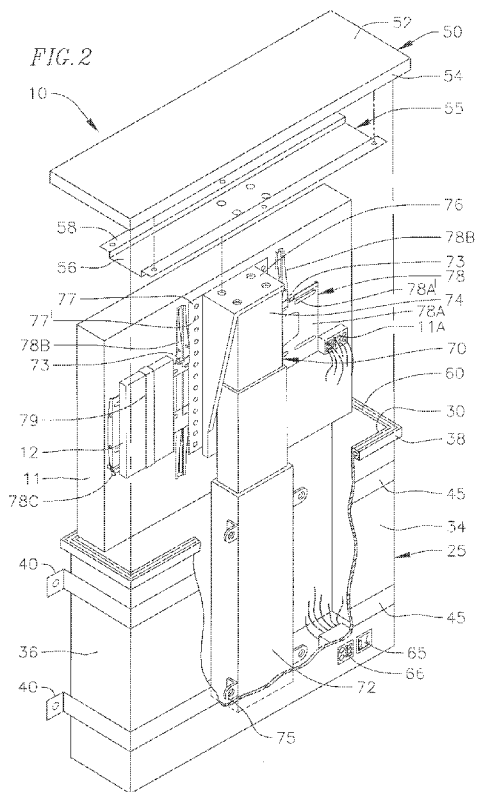


- (51) International Patent Classification:
H04N 5/645 (2006.01)
- (21) International Application Number:
PCT/US2012/023687
- (22) International Filing Date:
2 February 2012 (02.02.2012)
- (25) Filing Language: English
- (26) Publication Language: English
- (30) Priority Data:
61/438,946 2 February 2011 (02.02.2011) US
- (72) Inventor; and
- (71) Applicant : CARR, James, E. [US/US]; 17731 Cowan, Irvine, CA 92614 (US).
- (74) Agent: MARTONE, Jason, C.; Christie, Parker & Hale, LLP, Post Office Box 29001, Glendale, CA 91209-9001 (US).

- (81) Designated States (unless otherwise indicated, for every kind of national protection available): AE, AG, AL, AM, AO, AT, AU, AZ, BA, BB, BG, BH, BR, BW, BY, BZ, CA, CH, CL, CN, CO, CR, CU, CZ, DE, DK, DM, DO, DZ, EC, EE, EG, ES, FI, GB, GD, GE, GH, GM, GT, HN, HR, HU, ID, IL, IN, IS, JP, KE, KG, KM, KN, KP, KR, KZ, LA, LC, LK, LR, LS, LT, LU, LY, MA, MD, ME, MG, MK, MN, MW, MX, MY, MZ, NA, NG, NI, NO, NZ, OM, PE, PG, PH, PL, PT, QA, RO, RS, RU, RW, SC, SD, SE, SG, SK, SL, SM, ST, SV, SY, TH, TJ, TM, TN, TR, TT, TZ, UA, UG, US, UZ, VC, VN, ZA, ZM, ZW.
- (84) Designated States (unless otherwise indicated, for every kind of regional protection available): ARIPO (BW, GH, GM, KE, LR, LS, MW, MZ, NA, RW, SD, SL, SZ, TZ, UG, ZM, ZW), Eurasian (AM, AZ, BY, KG, KZ, MD, RU, TJ, TM), European (AL, AT, BE, BG, CH, CY, CZ, DE, DK, EE, ES, FI, FR, GB, GR, HR, HU, IE, IS, IT, LT, LU, LV, MC, MK, MT, NL, NO, PL, PT, RO, RS, SE, SI, SK, SM, TR), OAPI (BF, BJ, CF, CG, CI, CM, GA, GN, GQ, GW, ML, MR, NE, SN, TD, TG).

[Continued on next page]

(54) Title: UNIVERSAL TELEVISION LIFT WITH ENCLOSURE



(57) Abstract: A universal television lift and enclosure suitable for outdoor use. A television lift assembly includes an enclosure including a housing having an opening, and a cover engageable with the housing to seal the opening; and a lift device including a first portion mounted in the enclosure, and a movable portion including a first end movably coupled to the first portion, an attachment portion configured to removably attach a television thereto, and a second end, the cover being attached to the second end, and the movable portion of the lift device being movable between a first position within the housing and in which the cover seals the opening for storing the television in the weatherproof enclosure, and a second position outside the housing for supporting the television in a viewable position.

Published:

— *with international search report (Art. 21(3))*

(88) Date of publication of the international search report:

17 April 2014

INTERNATIONAL SEARCH REPORT

International application No.

PCT/US 12/23687

A. CLASSIFICATION OF SUBJECT MATTER

IPC(8) - H04N 5/645 (2012.01)

USPC - 348/825

According to International Patent Classification (IPC) or to both national classification and IPC

B. FIELDS SEARCHED

Minimum documentation searched (classification system followed by classification symbols)
USPC: 348/825Documentation searched other than minimum documentation to the extent that such documents are included in the fields searched
IPC(8): H04N 5/645 (2012.01); USPC: 348/825,836, 838, 840, 843; 211/1.57,26,26.1
(keyword limited; terms below)

Electronic data base consulted during the international search (name of data base and, where practicable, search terms used)

PubWEST(USPT,PGPB,EPAB,JPAB); Google Scholar

Search Terms: tv, television, housing, outdoor, wheel, trolley, caster, lid, seal, weatherproof, speaker, waterproof, remote, control, lift, elevation, cover, elevation, cover, gasket, flange, flip, top, label, graphic, sticker, logo, dvd, cd, blueray, player, vhs, media, player device.

C. DOCUMENTS CONSIDERED TO BE RELEVANT

Category*	Citation of document, with indication, where appropriate, of the relevant passages	Relevant to claim No.
X --- Y	US 2007/0240257 A1 (IGNARRA et al.) 18 October 2007 (18.10.2007), entire document, especially; FIG 1, 2b, 2c, 3a, 6, para [0002], [0019]-[0025].	1-8, 11-14, 16, 18, 20, 21 ----- 9, 10, 15, 17, 19, 22
Y	US 6,474,410 B1 (MINICH et al.) 05 November 2002 (05.11.2002), entire document, especially; FIG 1, col 1, ln 5-8, col 3, ln 3-17.	9, 19, 22
Y	US 2007/0046843 A1 (MAXSON) 01 March 2007 (01.03.2007), entire document, especially; para [0001], [0004], [0005], [0007], [0025].	10, 17
Y	US 2007/0252919 A1 (MCGREEVY) 01 November 2007 (01.11.2007), entire document, especially; FIG 1, 2, para [0001], [0009], [0032], [0038].	15
A	US 5,124,805 A (CHUNG et al.) 23 June 1992 (23.06.1992), entire document.	1-22
A	US 2011/0012489 A1 (SHEN et al.) 20 January 2011 (20.01.2011), entire document.	1-22

 Further documents are listed in the continuation of Box C.

* Special categories of cited documents:

"A" document defining the general state of the art which is not considered to be of particular relevance

"E" earlier application or patent but published on or after the international filing date

"L" document which may throw doubts on priority claim(s) or which is cited to establish the publication date of another citation or other special reason (as specified)

"O" document referring to an oral disclosure, use, exhibition or other means

"P" document published prior to the international filing date but later than the priority date claimed

"T" later document published after the international filing date or priority date and not in conflict with the application but cited to understand the principle or theory underlying the invention

"X" document of particular relevance; the claimed invention cannot be considered novel or cannot be considered to involve an inventive step when the document is taken alone

"Y" document of particular relevance; the claimed invention cannot be considered to involve an inventive step when the document is combined with one or more other such documents, such combination being obvious to a person skilled in the art

"&" document member of the same patent family

Date of the actual completion of the international search

23 May 2012 (23.05.2012)

Date of mailing of the international search report

06 JUN 2012

Name and mailing address of the ISA/US

Mail Stop PCT, Attn: ISA/US, Commissioner for Patents
P.O. Box 1450, Alexandria, Virginia 22313-1450

Facsimile No. 571-273-3201

Authorized officer:

Lee W. Young

PCT Helpdesk: 571-272-4300
PCT OSP: 571-272-7774