



- (51) International Patent Classification:
A47G 23/02 (2006.01) B32B 29/00 (2006.01)
- (21) International Application Number:
PCT/US2012/043016
- (22) International Filing Date:
18 June 2012 (18.06.2012)
- (25) Filing Language: English
- (26) Publication Language: English
- (30) Priority Data:
61/498,415 17 June 2011 (17.06.2011) US
61/618,637 30 March 2012 (30.03.2012) US
- (71) Applicant (for all designated States except US): **BERRY PLASTICS CORPORATION** [US/US]; 101 Oakley Street, Evansville, Indiana 47710 (US).
- (72) Inventors; and
- (75) Inventors/Applicants (for US only): **LESER, Chris K.** [US/US]; 11426 Darmstadt Road, Evansville, Indiana 47725 (US). **WALLACE, Charles T.** [US/US]; 6601

West Schmitt Lane, Evansville, Indiana 47720 (US). **DRISKILL, Philip A.** [US/US]; 5322 East Timberwood Drive, Newburgh, Indiana 47630 (US). **EULER, John B.** [US/US]; 10477 Heim Road, Evansville, Indiana 47610 (US). **PALADINO, Jason J.** [US/US]; 6433 Waterstone Court, Newburgh, Indiana 47630 (US). **MARAVICH, Milan C.** [US/US]; 7388 Parkridge Drive, Newburgh, Indiana 47630 (US). **DAVIS, Daniel O.** [US/US]; 9061 West 1000 South, Cynthiana, Indiana 47612 (US). **MANN, Jeffrey A.** [US/US]; 13220 Browning Street, Evansville, Indiana 47725 (US).

(74) Agents: **REZEK, Richard A.** et al.; Barnes & Thornburg LLP, 11 South Meridian Street, Indianapolis, Indiana 46204 (US).

(81) Designated States (unless otherwise indicated, for every kind of national protection available): AE, AG, AL, AM, AO, AT, AU, AZ, BA, BB, BG, BH, BR, BW, BY, BZ, CA, CH, CL, CN, CO, CR, CU, CZ, DE, DK, DM, DO, DZ, EC, EE, EG, ES, FI, GB, GD, GE, GH, GM, GT, HN, HR, HU, ID, IL, IN, IS, JP, KE, KG, KM, KN, KP, KR, KZ, LA, LC, LK, LR, LS, LT, LU, LY, MA, MD, ME,

[Continued on next page]

(54) Title: INSULATED SLEEVE FOR A CUP

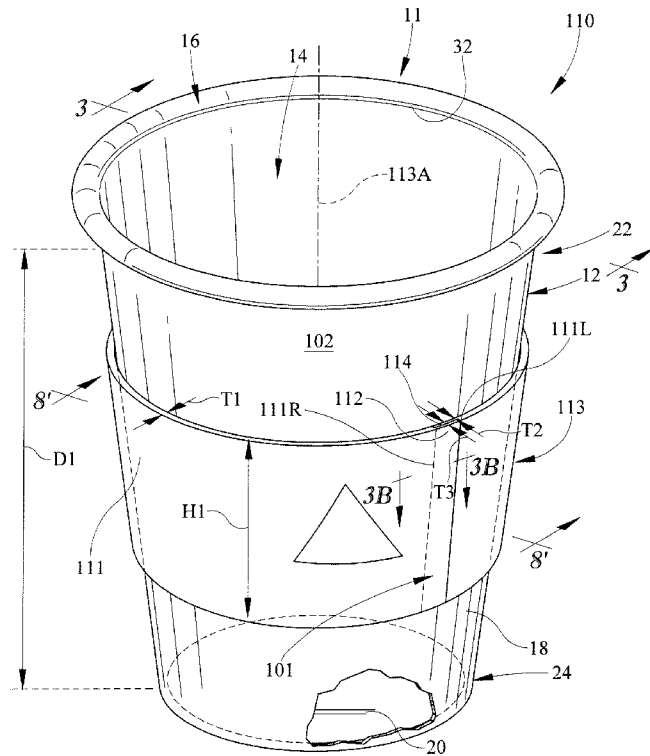


FIG. 1

(57) Abstract: A container includes a cup formed to include an interior region and an insulated sleeve. The insulated sleeve is coupled to an outer surface of the cup.

WO 2013/101301 A3

MG, MK, MN, MW, MX, MY, MZ, NA, NG, NI, NO, NZ, OM, PE, PG, PH, PL, PT, QA, RO, RS, RU, RW, SC, SD, SE, SG, SK, SL, SM, ST, SV, SY, TH, TJ, TM, TN, TR, TT, TZ, UA, UG, US, UZ, VC, VN, ZA, ZM, ZW.

SM, TR), OAPI (BF, BJ, CF, CG, CI, CM, GA, GN, GQ, GW, ML, MR, NE, SN, TD, TG).

Published:

- with international search report (*Art. 21(3)*)
- before the expiration of the time limit for amending the claims and to be republished in the event of receipt of amendments (*Rule 48.2(h)*)

(84) Designated States (*unless otherwise indicated, for every kind of regional protection available*): ARIPO (BW, GH, GM, KE, LR, LS, MW, MZ, NA, RW, SD, SL, SZ, TZ, UG, ZM, ZW), Eurasian (AM, AZ, BY, KG, KZ, RU, TJ, TM), European (AL, AT, BE, BG, CH, CY, CZ, DE, DK, EE, ES, FI, FR, GB, GR, HR, HU, IE, IS, IT, LT, LU, LV, MC, MK, MT, NL, NO, PL, PT, RO, RS, SE, SI, SK,

(88) Date of publication of the international search report:

3 October 2013

INTERNATIONAL SEARCH REPORT

International application No.
PCT/US2012/043016**A. CLASSIFICATION OF SUBJECT MATTER****A47G 23/02(2006.01)i, B32B 29/00(2006.01)j**

According to International Patent Classification (IPC) or to both national classification and IPC

B. FIELDS SEARCHED

Minimum documentation searched (classification system followed by classification symbols)

A47G 23/02; B32B 3/00; B65D 75/00; B32B 3/26; B65D 11/16; B65D 25/20; B32B 3/12; B65D 8/12; B32B 29/00

Documentation searched other than minimum documentation to the extent that such documents are included in the fields searched

Korean utility models and applications for utility models

Japanese utility models and applications for utility models

Electronic data base consulted during the international search (name of data base and, where practicable, search terms used)

eKOMPASS(KIPO internal) & Keywords: insulate, sleeve, holder, cellular, polymer, nonaromatic, density, deform and rib

C. DOCUMENTS CONSIDERED TO BE RELEVANT

Category*	Citation of document, with indication, where appropriate, of the relevant passages	Relevant to claim No.
Y	US 4070513 A (ROADS, ROGER R.) 24 January 1978 See abstract; column 4, lines 27-31; claims 1,2 and figure 4.	1-76
Y	US 2010-0181328 A1 (COOK et al.) 22 July 2010 See abstract; paragraphs 43,46; claim 1 and figures 4A,4B.	1-50,57-66,69-76
Y	US 2005-0121457 A1 (WILSON et al.) 09 June 2005 See abstract; paragraph 44; claim 1 and figure 3.	51-76
A	US 2002-0058126 A1 (KANNANKERIL, CHARLES) 16 May 2002 See abstract; paragraph 26; claim 1 and figures 2-4.	1-76
A	US 4550046 A (MILLER, STEPHEN D.) 29 October 1985 See abstract; column 7, lines 45-54; claims 1,2 and figures 1,2.	1-76

 Further documents are listed in the continuation of Box C. See patent family annex.

* Special categories of cited documents:

"A" document defining the general state of the art which is not considered to be of particular relevance

"E" earlier application or patent but published on or after the international filing date

"L" document which may throw doubts on priority claim(s) or which is cited to establish the publication date of citation or other special reason (as specified)

"O" document referring to an oral disclosure, use, exhibition or other means

"P" document published prior to the international filing date but later than the priority date claimed

"T" later document published after the international filing date or priority date and not in conflict with the application but cited to understand the principle or theory underlying the invention

"X" document of particular relevance; the claimed invention cannot be considered novel or cannot be considered to involve an inventive step when the document is taken alone

"Y" document of particular relevance; the claimed invention cannot be considered to involve an inventive step when the document is combined with one or more other such documents, such combination being obvious to a person skilled in the art

"&" document member of the same patent family


Date of the actual completion of the international search

29 July 2013 (29.07.2013)

Date of mailing of the international search report

29 July 2013 (29.07.2013)

Name and mailing address of the ISA/KR


 Korean Intellectual Property Office
 189 Cheongsu-ro, Seo-gu, Daejeon Metropolitan City,
 302-701, Republic of Korea

Facsimile No. +82-42-472-7140

Authorized officer

AHN Jae Yul

Telephone No. +82-42-481-8525



INTERNATIONAL SEARCH REPORT

Information on patent family members

International application No.

PCT/US2012/043016

Patent document cited in search report	Publication date	Patent family member(s)	Publication date
US 04070513 A	24/01/1978	None	
US 2010-0181328 A1	22/07/2010	AR 076257 A1 AU 2010-204916 A1 CA 2750190 A1 CN 102355837 A EP 2378928 A1 JP 2012-515052 A KR 10-2011-0105398 A MX 2011007585 A SG 173022A1 TW 201040081 A WO 2010-083140 A1	01/06/2011 11/08/2011 22/07/2010 15/02/2012 26/10/2011 05/07/2012 26/09/2011 04/08/2011 29/08/2011 16/11/2010 22/07/2010
US 2005-0121457 A1	09/06/2005	WO 2005-056403 A1	23/06/2005
US 2002-0058126 A1	16/05/2002	US 2005-0064172 A1 US 6852391 B2	24/03/2005 08/02/2005
US 04550046 A	29/10/1985	US 4550046 A	29/10/1985