



US0D1069108S

(12) **United States Design Patent**  
**Gao et al.**

(10) **Patent No.:** **US D1,069,108 S**

(45) **Date of Patent:** **\*\* Apr. 1, 2025**

(54) **FRAME OF A NASAL MASK**  
(71) Applicant: **Fisher & Paykel Healthcare Limited,**  
Auckland (NZ)  
(72) Inventors: **Vicky Dan Gao,** Auckland (NZ);  
**Cameron Robert Willis,** Auckland  
(NZ); **Thomas Mark Richardson,**  
Auckland (NZ); **Mark Andrew**  
**Thompson,** Auckland (NZ)  
(73) Assignee: **FISHER & PAYKEL HEALTHCARE**  
**LIMITED,** Auckland (NZ)

D950,718 S \* 5/2022 Doubet ..... A61M 5/2455  
D24/129  
D952,838 S \* 5/2022 Jung ..... D24/176  
D953,522 S \* 5/2022 Scott ..... D24/112  
D954,940 S \* 6/2022 Vijayachandran ..... D24/146  
D956,205 S \* 6/2022 Nimkar ..... D24/127  
D965,141 S \* 9/2022 Oldfield ..... D24/127  
D967,414 S \* 10/2022 Cebadera Miranda ..... D24/130  
D973,203 S \* 12/2022 Tyrsing ..... D24/130  
D989,302 S \* 6/2023 Hang ..... D24/130  
D994,112 S \* 8/2023 Vokey ..... D24/127  
D998,146 S \* 9/2023 Kelleher ..... D24/118  
D1,022,193 S \* 4/2024 Haller ..... D24/130

\* cited by examiner

(\*\*) Term: **15 Years**

Primary Examiner — David G Muller

(21) Appl. No.: **29/730,305**

(74) Attorney, Agent, or Firm — VIA LLP

(22) Filed: **Apr. 2, 2020**

(51) **LOC (15) Cl.** ..... **24-02**

(52) **U.S. Cl.**  
USPC ..... **D24/127**

(58) **Field of Classification Search**  
USPC ..... D24/112–114, 108, 130, 127, 133, 186  
CPC ..... A61M 25/00; A61M 39/00; A61M 27/00;  
A61M 25/0043; A61M 25/0067; A61M  
25/0097; A61F 2/958  
See application file for complete search history.

(56) **References Cited**

**U.S. PATENT DOCUMENTS**

D496,101 S \* 9/2004 Davison ..... D24/114  
D838,363 S \* 1/2019 Katagiri ..... D24/127  
D892,321 S \* 8/2020 Newton ..... D24/129  
D948,713 S \* 4/2022 Banik ..... D24/130  
D948,715 S \* 4/2022 Hezkiahu ..... D24/130

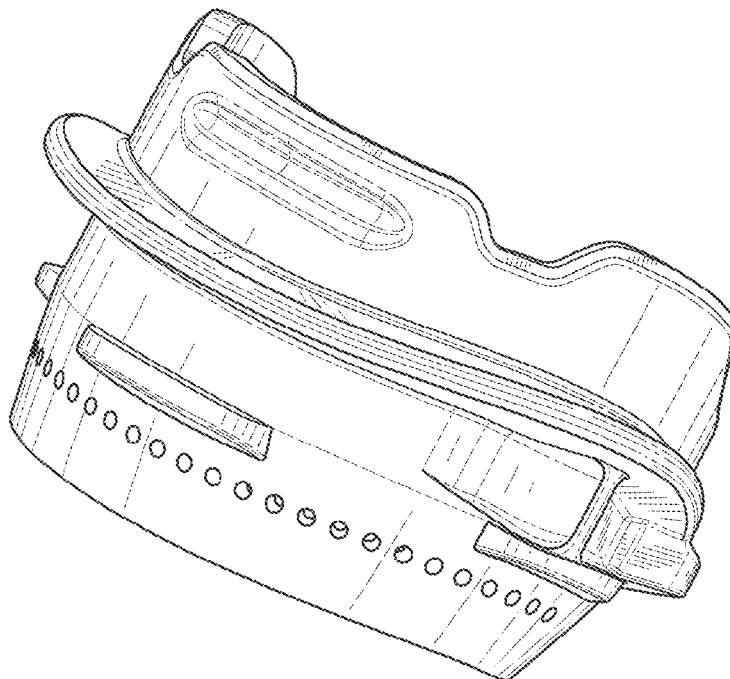
(57) **CLAIM**

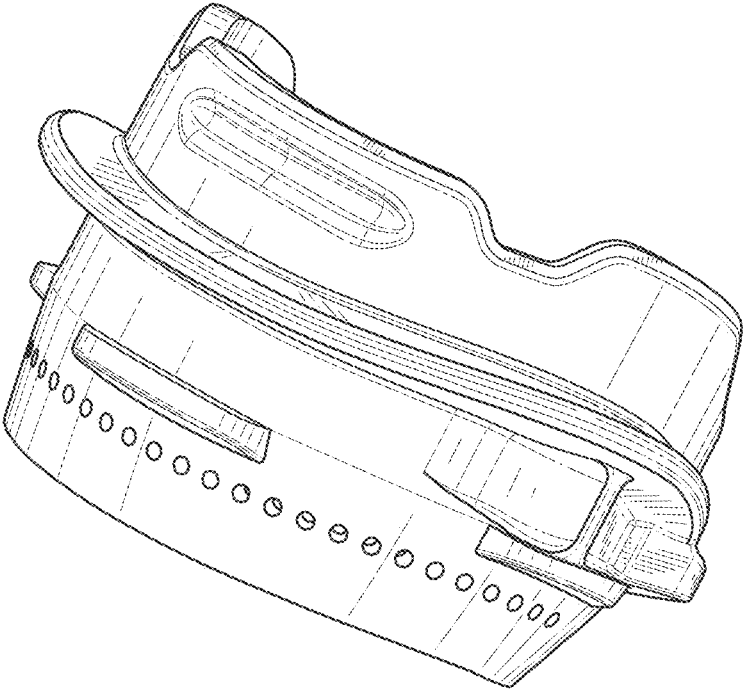
The ornamental design for a frame of a nasal mask, as shown and described.

**DESCRIPTION**

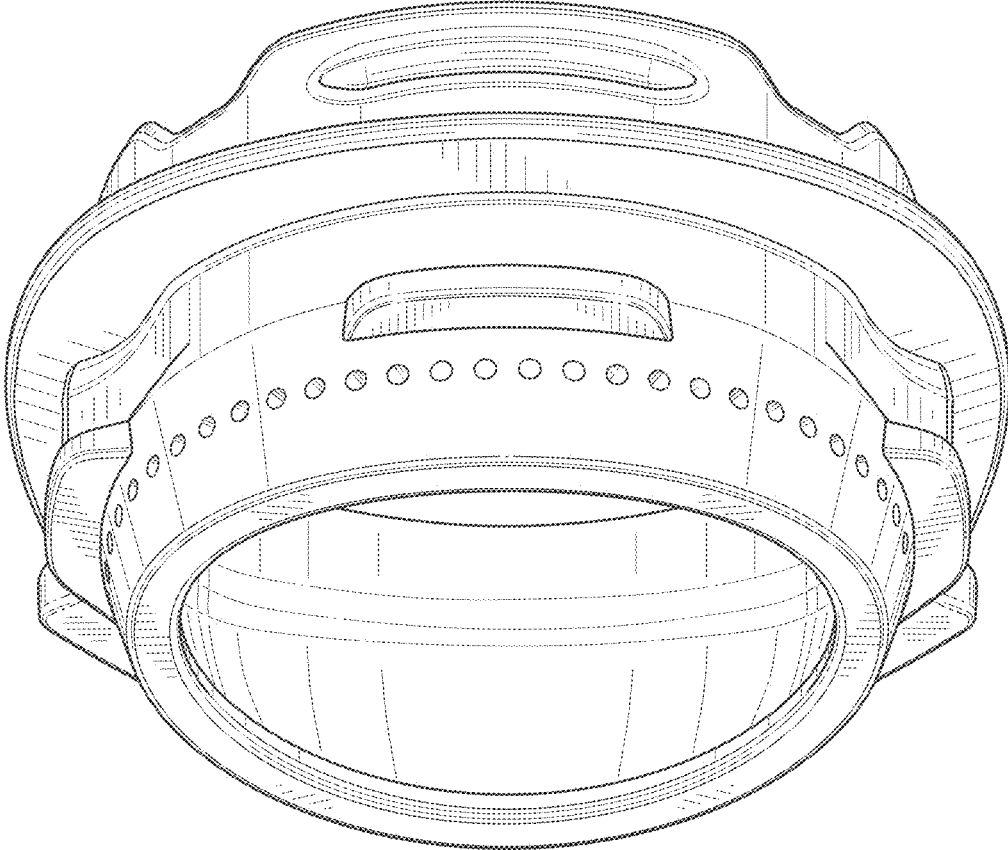
FIG. 1 is a front overhead perspective view of a frame of a nasal mask in accordance with a first embodiment. FIG. 2 is a front view thereof. FIG. 3 is a rear view thereof. FIG. 4 is a left side view thereof. FIG. 5 is a right side view thereof. FIG. 6 is a top view thereof; and, FIG. 7 is a bottom view thereof. The references to “left,” “right,” “front,” “rear,” “top,” and “bottom” in the figure descriptions are not meant to require certain in-use orientation; the frame of a nasal mask according to the claimed design may be used in any orientation.

**1 Claim, 7 Drawing Sheets**

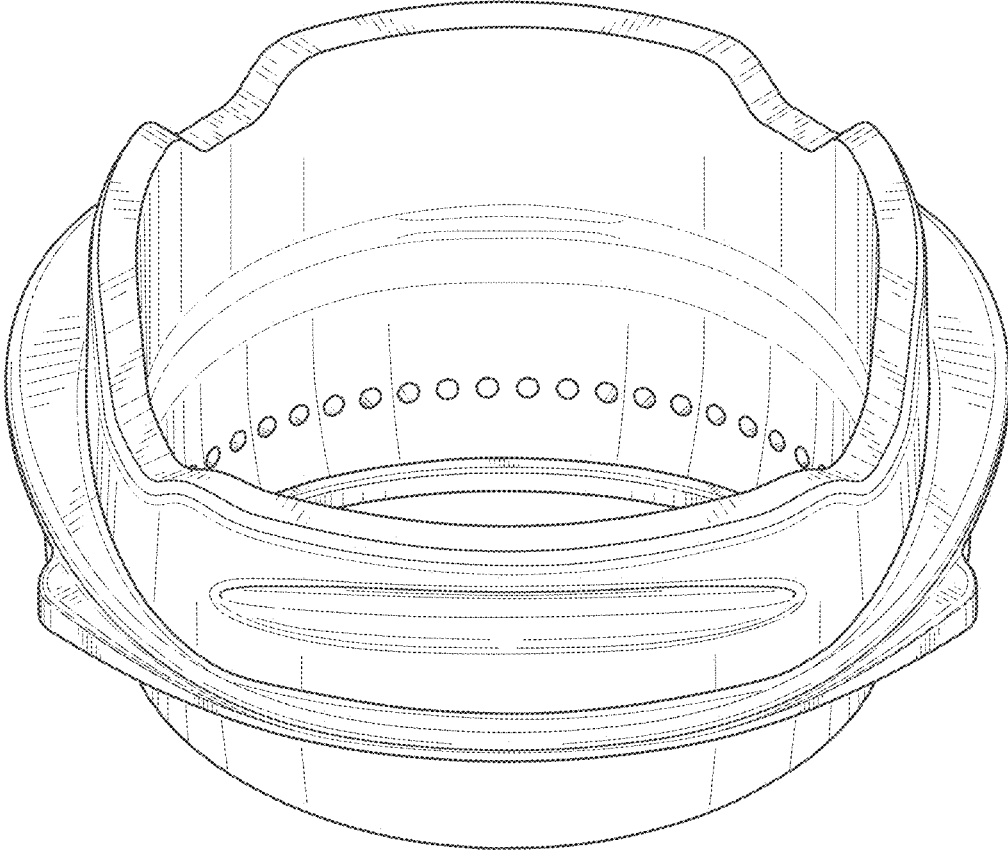




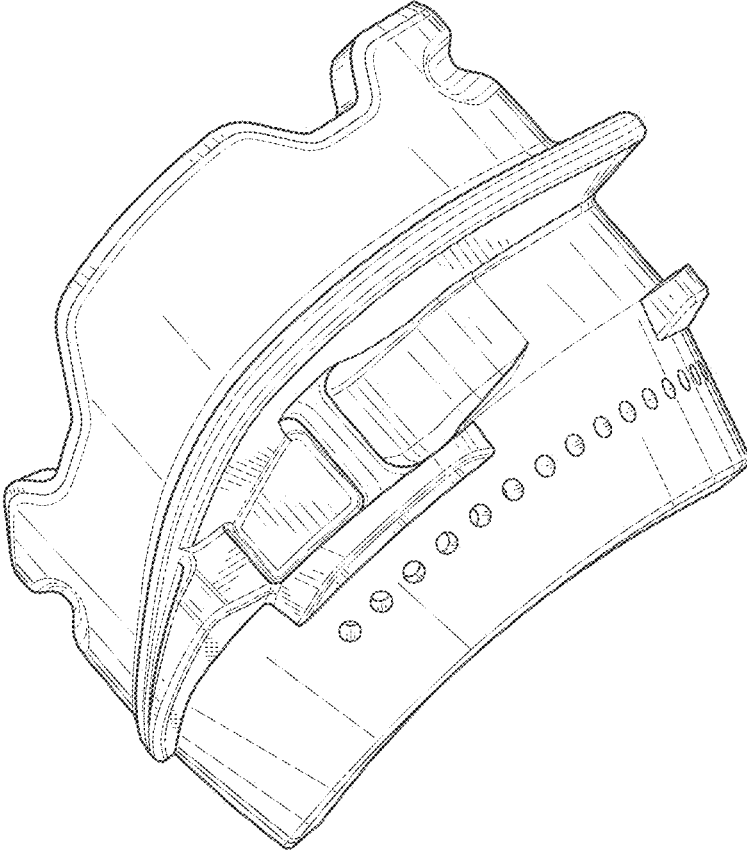
*FIG. 1*



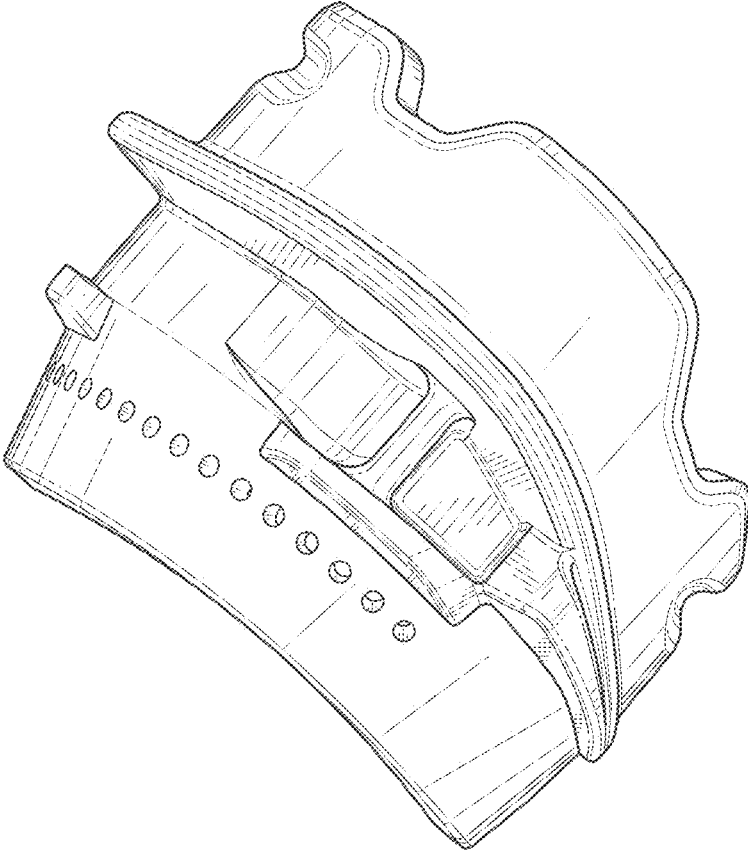
*FIG. 2*



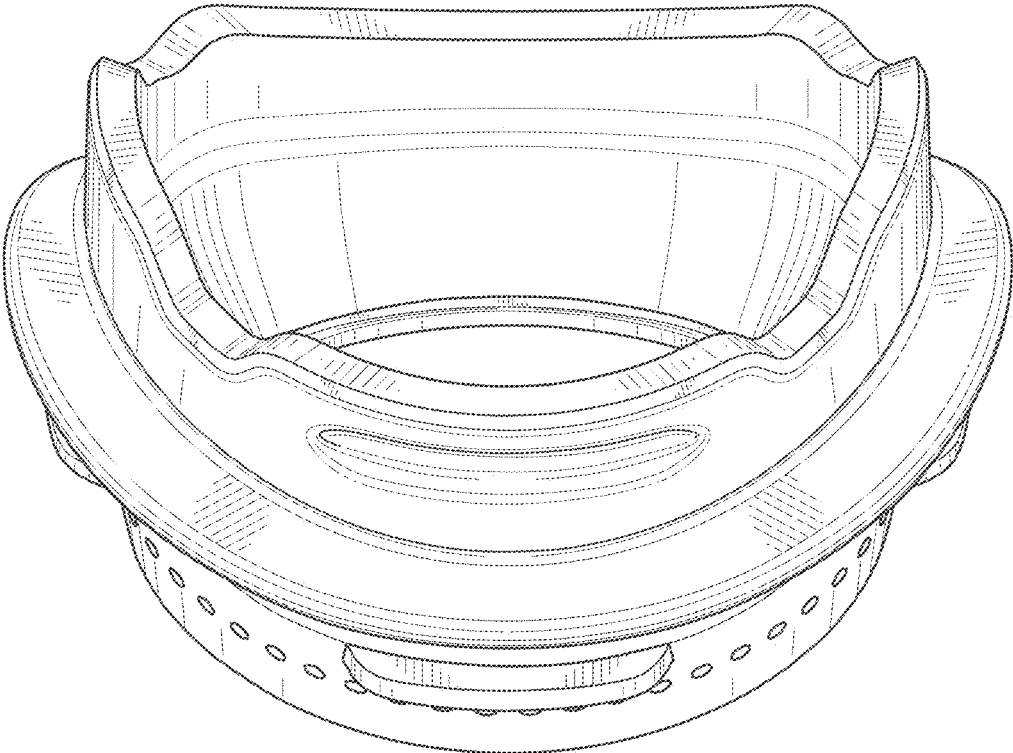
*FIG. 3*



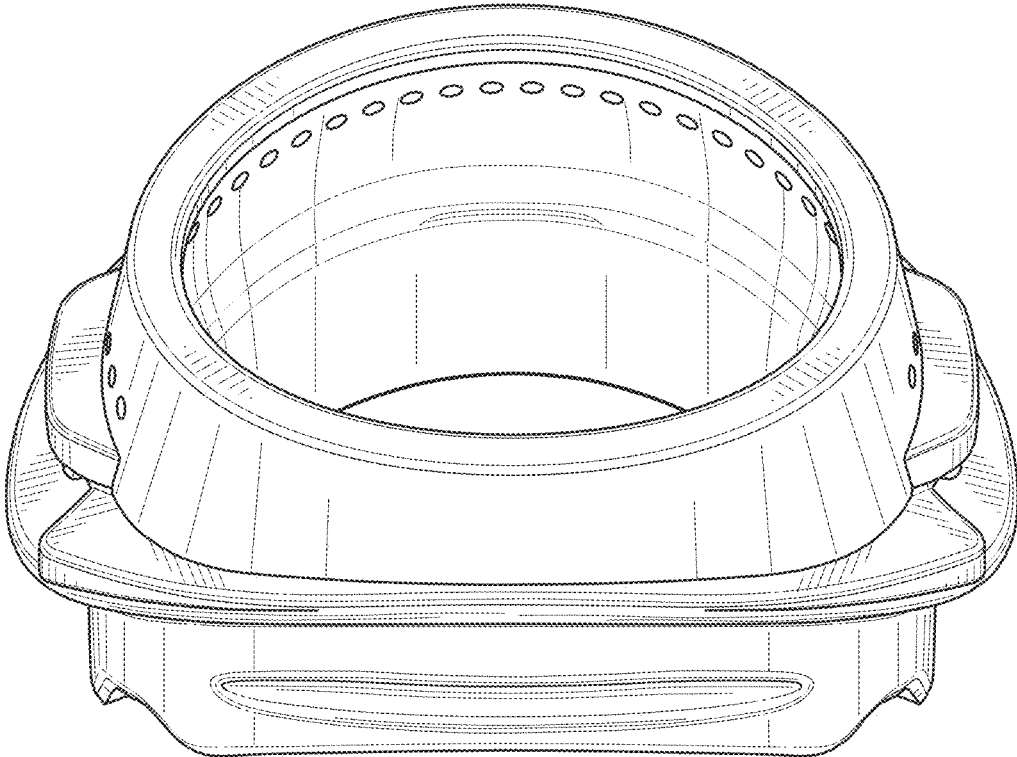
**FIG. 4**



*FIG. 5*



*FIG. 6*



*FIG. 7*